



MagSlim LiDAR Navigation Robot Vacuum + Smart Auto-Empty Dock



70 Days without Emptying
Auto-Empty with 4L Large Dust Bag[†]

- 3.1-in Ultra-Slim Design
- Strong 2000Pa Suction
- Precision Mapping and Customizable Cleaning



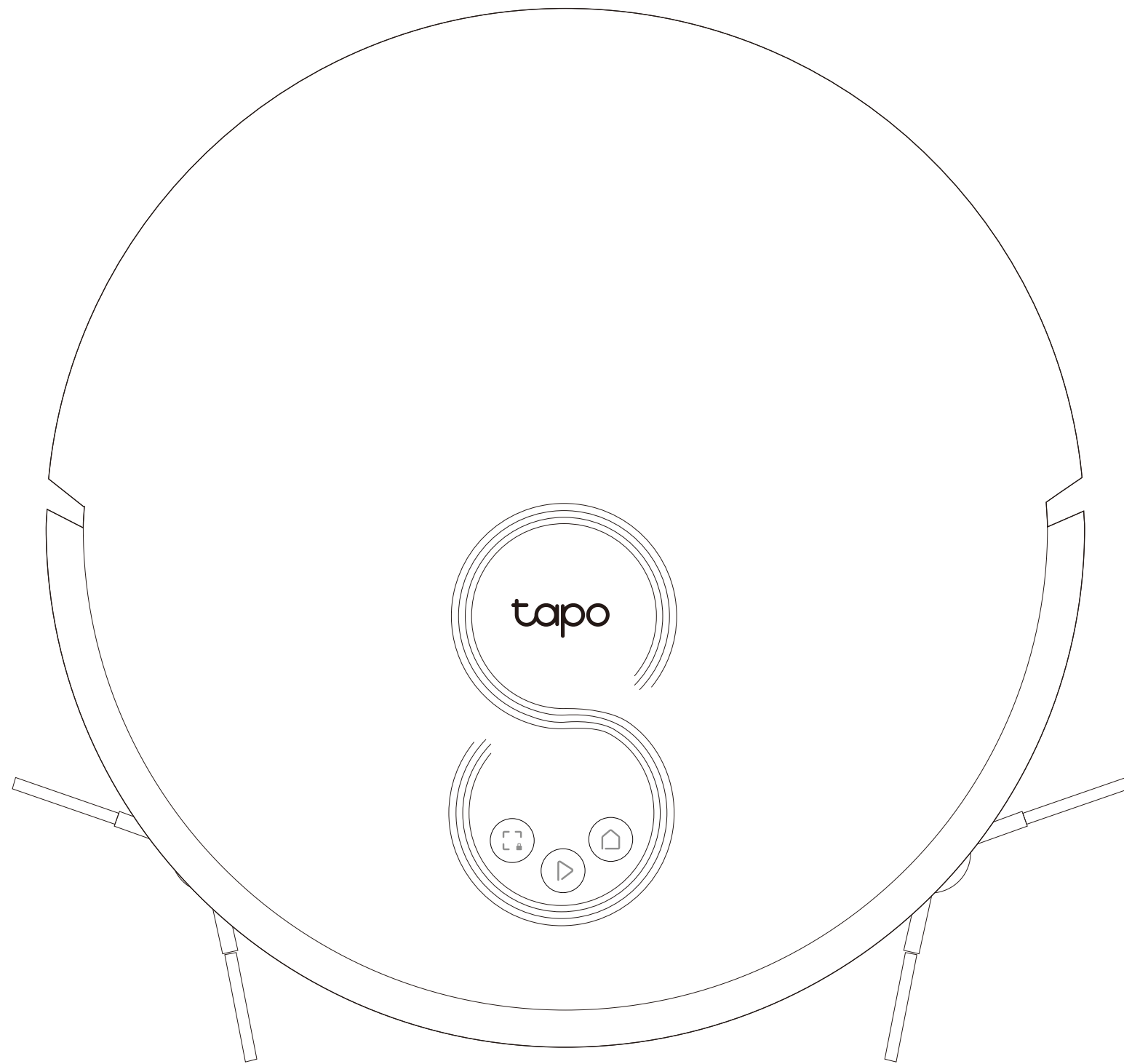
App Control



Tapo RV20 Plus

// Overview

Robot Vacuum



Power/Clean

- Press once: Start/pause cleaning.
- Press and hold for 3 seconds: Turn on/off the robot vacuum.

*For the first use, slide the power switch from OFF to ON to turn on.



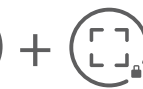
Dock

- Return to the dock to charge.
- Empty the bin when docked.



Spot Cleaning/Child Lock

- Press once: Start spot cleaning.
- Press and hold for 5 seconds: Turn on/off the child lock.



Combination Button

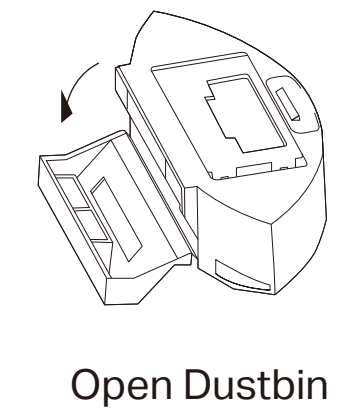
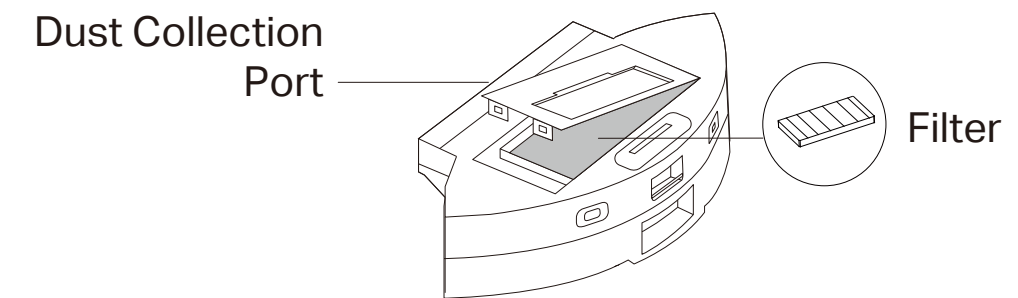
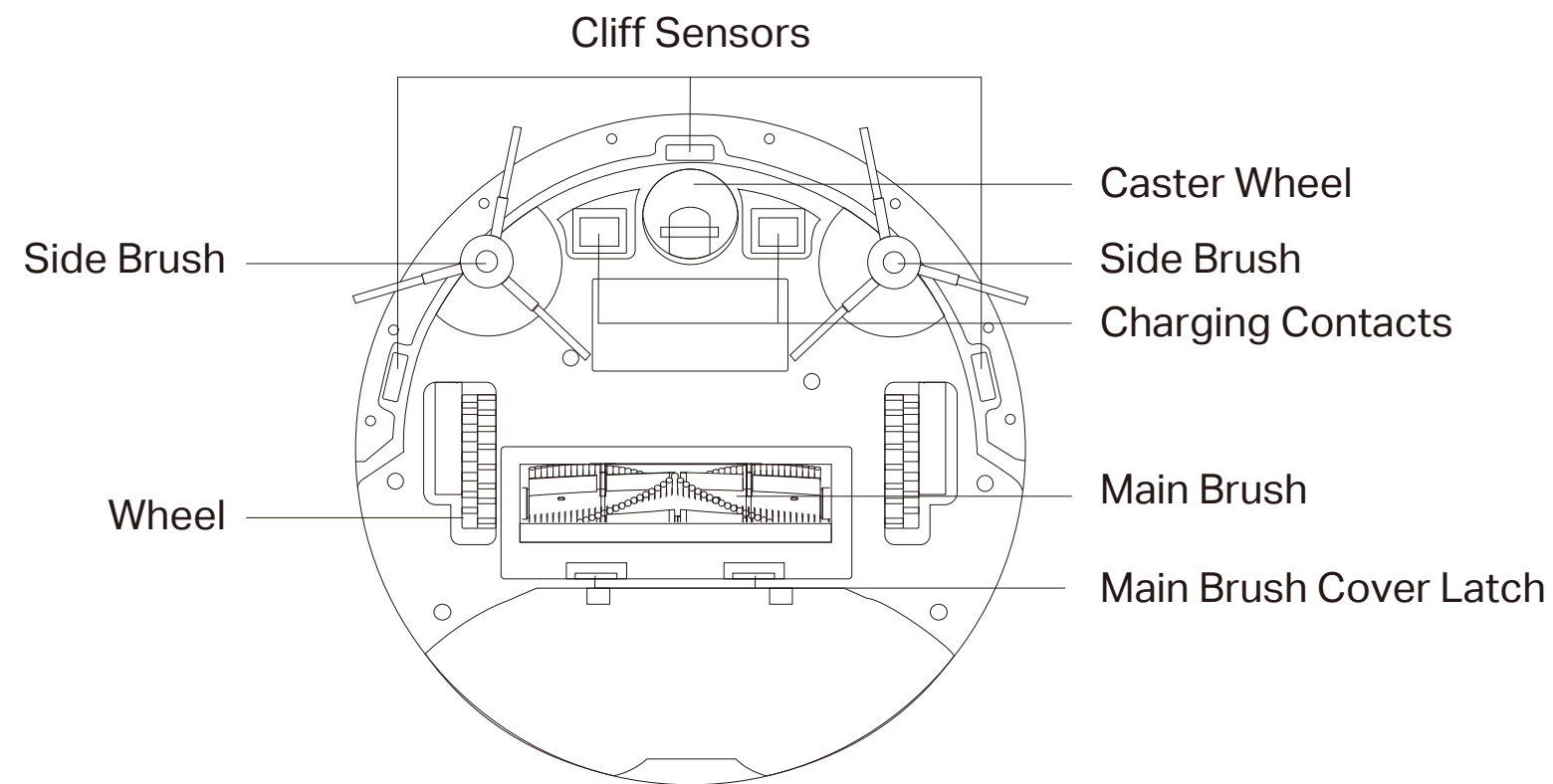
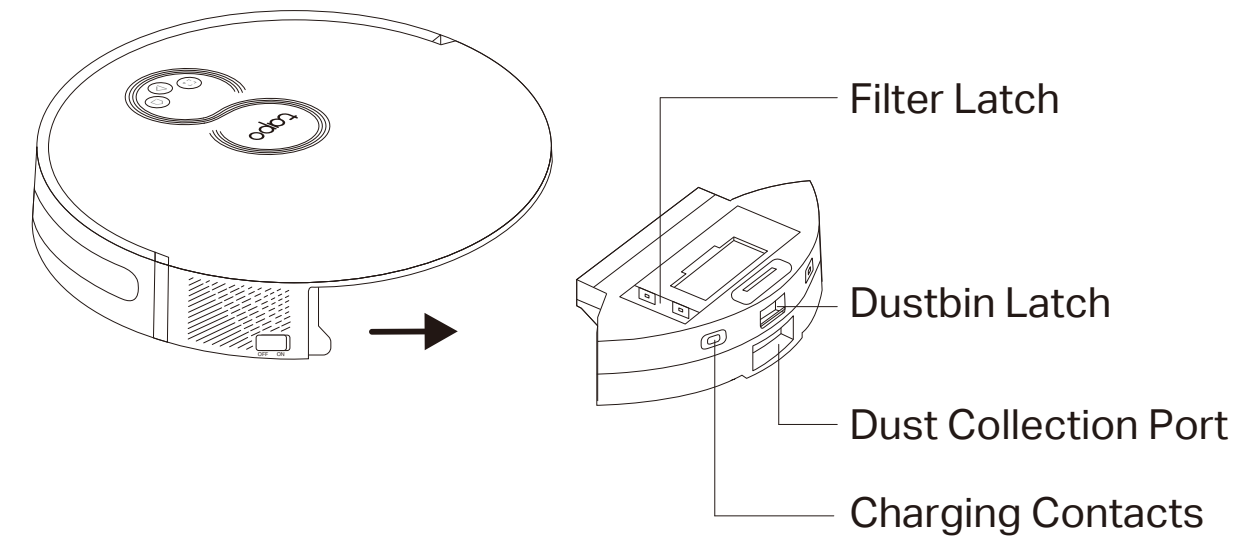
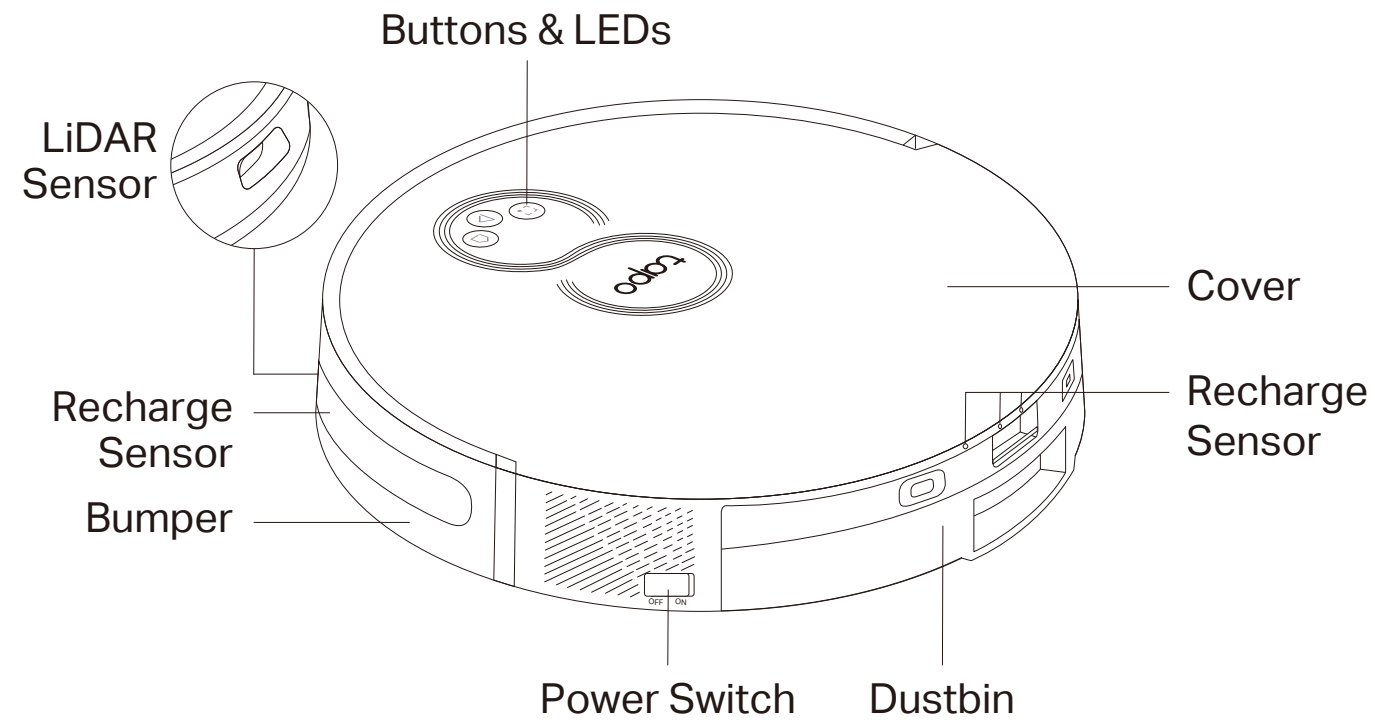
- Press and hold simultaneously for 5 seconds: Enter setup mode to configure network.
- Press and hold simultaneously for 10 seconds: Restore to factory default settings.



LED

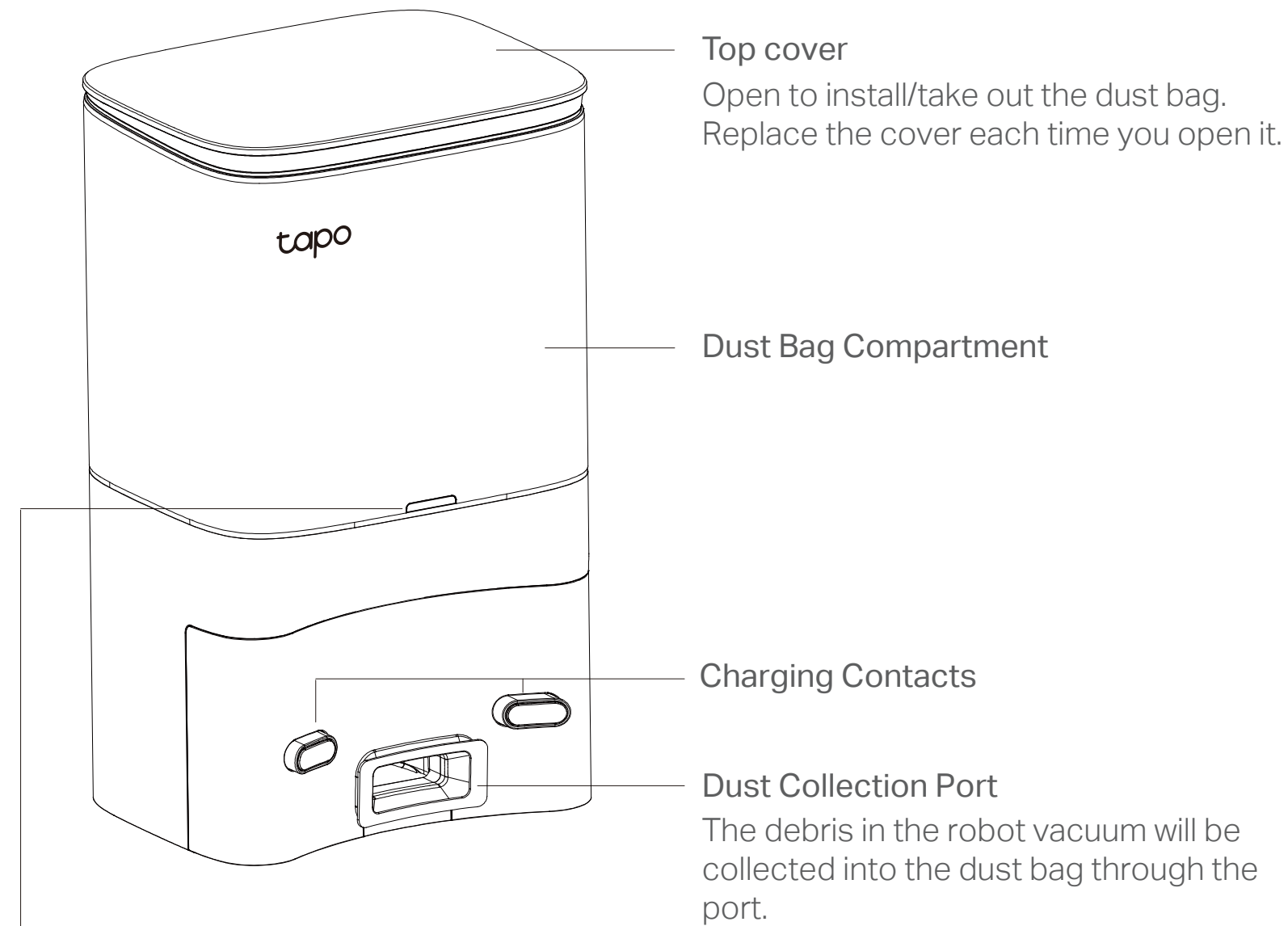
- **Red:** Battery level < 20%; Error
- **Orange:** Battery level between 20% and 80%
- **Green:** Battery level > 80%

Overview



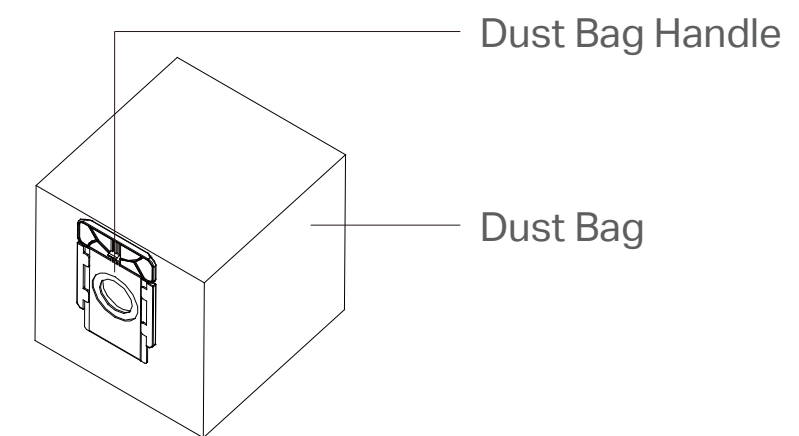
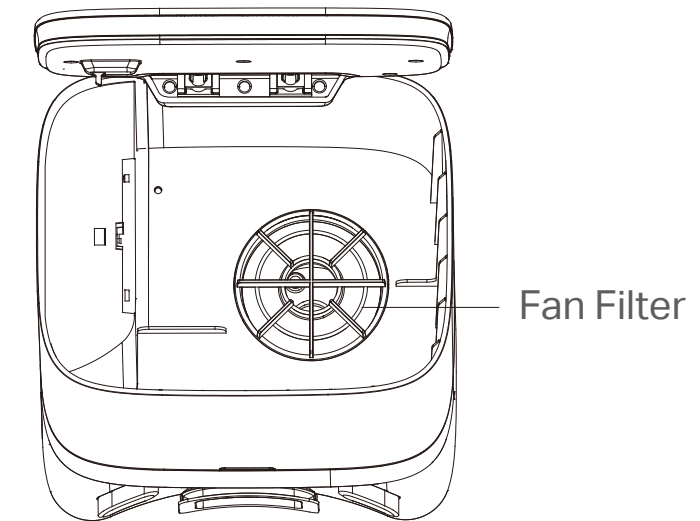
// Overview

Auto-Empty Dock



LED Indicator

- White: Working properly
- Off: Robot vacuum is connected to the dock; sleeping.
- Solid Red: Dust bag not installed; top cover not closed.
- Flashing Red: Error



// Highlights

Up to 70 Days Hands-Free Cleaning

- **No-Fuss Auto Empty**
Automatically empties its dustbin after cleaning to keep your hands free
- **4L Sealed Disposable Dust Bag**
Dust stays out of sight for up to 70 days and your hands stay clean†
- **Empties without Residue**
The dock's strong 27000Pa suction power and shortened air duct help empty the dustbin within moments
- **Reduces Untimely Noise Interference**
Auto-adjusts emptying duration and follows do-not-disturb schedules to avoid noisy interruptions



// Highlights



MagSlim LiDAR Navigation

The Tapo RV20 Series retains the precise mapping of traditional LiDAR navigation while being extremely thin thanks to its sunk laser module.

3.1-in Ultra-Slim Design

The 3.1-in ultra-slim body allows RV20 Plus to enter more hard-to-reach and narrow spaces, increasing its cleaning coverage.

High-Precision Mapping

Maps out your house in minutes with millimeter-level detection precision, avoiding omissions and repeated cleaning.

Multi-Floor Local-Stored Maps

Saves up to 3+1 maps, ideal for houses with several floors.



Strong Suction Power, Low Noise

Four vacuum modes with different levels of suction power meet various cleaning needs. With a maximum suction power of 2000Pa, the Tapo Robot Vacuum is ideal for direct, powerful cleaning of carpets and hard floors.

Twin Side Brushes

Takes care of corners and edges while preventing dirt from scattering.

Auto-Boost for Your Carpets

Automatically increases the suction power when encountering carpets.

Quiet Cleaning

Lowers noise levels down to 53-dB while in use—quieter than a running microwave.[§]



Total Control at Your Fingertips

Cleaning made simple. Manage your own cleaning schedule and monitor your robot's status at home or away on the feature-rich Tapo app.

Customizable Room Cleaning

Merge and separate areas, name individual rooms, and customize cleaning modes for each room.

Virtual Walls and No-Go Zones

Set up areas you don't want the robot to go via the Tapo app.

Simple Voice Control

Pair with Alexa or Google Home to control with voice commands.

// Specifications

Care and Maintenance

To maintain optimal performance, maintain the robot vacuum according to the following guidelines.

Part	Maintenance Frequency	Replacement Frequency*
Dustbin	Clean/wash as needed	/
Filter	Once a week	3-6 months
Main Brush	Every 2 weeks	6-12 months
Side Brush	Once a month	3-6 months
Dust Bag	/	Replaced when it is full
Caster Wheel	Clean as needed	/
Main Wheels	Once a month	/
Sensors	Once a month	/
Charging Contacts	Once a month	/

*Replacement frequency may vary depending on the actual situation. Parts should be replaced if visible wear appears.

// Specifications

Mapping & Navigation Features

- Mapping/Path Planning: MagSlim LiDAR + Gyroscope
- High-Precision Map: Yes
- Obstacle Avoidance: MagSlim LiDAR + Infrared
- Barrier-Cross Height: 20 mm/0.79 in
- Anti-Drop Protection : Yes

Dock Features

- Auto Dust Collection: Yes
- Suction Power of Auto-Empty Dock: 27000Pa
- Dust Bag Capacity: 4 L

Vacuuming Features

- Max Suction Power: 2000Pa
- Suction Level Adjustment: 4 levels
- Dustbin Capacity: 550 ml
- Dustbin Detection: Yes
- HEPA Filter: Yes
- Carpet Boost: Yes, Electricity Recognition

Battery

- Battery Capacity : 2600 mAh
- Vacuum Max Battery Life: 180 min per charge (Quiet Mode)
- Recharge & Resume: Yes

App Features

- Real-Time Tracking: Yes
- Multi-Floor Mapping: Yes
- Scheduled Cleaning: Yes
- Virtual Walls: Yes
- No-Go Zones: Yes
- Zone Cleaning: Yes

// Specifications

Physical

- Product Dimensions:

Robot Vacuum: 342.6 × 342.2 × 78 mm (13.5 × 13.5 × 3.1 in)

Auto-Empty Dock: 227 × 191.4 × 381.3 mm (8.9 × 7.5 × 15 in)

- Package Contents:

Robot Vacuum Cleaner ×1

Auto-Empty Dock ×1

4L Disposable Dust Bag ×2

Side Brush ×4

HEPA Filter ×2

Cleaning Brush ×1

User Manual

Others

- Wireless Connection:

IEEE 802.11 b/g/n, 2.4 GHz band only;

Bluetooth 4.2 (only for onboarding)

- Rated Input Voltage: 120 VAC, 60 Hz

- Max Charging Power Consumption: 18 W (DC24 V 750 mA)

- Max Working Power Consumption:

Robot Vacuum: 30 W

Auto-Empty Dock: 950 W

- Works with Google Home: Yes

- Works with Amazon Alexa: Yes

¹Based on internal testing. Actual emptying intervals are subject to change due to usage and environmental factors.

²Based on internal testing carried out by the manufacturer, using quiet vacuuming mode with a full battery. Actual results may vary according to the working status and home environment.

³Based on internal testing carried out by the manufacturer, using quiet vacuuming mode. Actual results may vary according to the working status.

Specifications are subject to change without notice. All brands and product names are trademarks or registered trademarks of their respective holders.

@2023 TP-Link