



# User Manual

## LiDAR Navigation Robot Vacuum

\*Images may differ from actual products.

©2023 TP-Link 7106510304 REV1.0.0



# IMPORTANT SAFETY INSTRUCTIONS

## READ ALL INSTRUCTIONS BEFORE USING THIS APPLIANCE

WARNING – To reduce the risk of fire, electric shock, or injury:

- Do not leave appliance when plugged in. Unplug from outlet when not in use and before servicing.
- Do not use outdoors or on wet surfaces.
- Do not allow to be used as a toy. Close attention is necessary when used by or near children.
- Use only as described in this manual. Use only manufacturer's recommended attachments.
- Do not use with damaged cord or plug. If appliance is not working as it should, has been dropped, damaged, left outdoors, or dropped into water, return it to a service center.
- Do not handle plug or appliance with wet hands.
- Use extra care when cleaning on stairs.
- Do not put any object into openings. Do not use with any opening blocked; keep free of dust, lint, hair, and anything that may reduce air flow.
- When battery pack is not in use, keep it away from other metal objects, like paper clips, coins, keys, nails, screws or other small metal objects, that can make a connection from one terminal to another. Shorting the battery terminals together may cause burns or a fire.
- Do not charge the battery at ambient temperature below 39°F (4°C) or above 104 °F (40°C). Also keeping the temperature range of between 39-104°F when storing unit or during use.
- To reduce the risk of electric shock, this appliance has a polarized plug (one blade is wider than the other). This plug will fit in a polarized outlet only one way. If the plug does not fit fully in the outlet, reverse the plug. If it still does not fit, contact a qualified electrician to install the proper outlet. Do not change the plug in any way.
- Keep hair, loose clothing, fingers, and all parts of body away from openings and moving parts.
- Turn off all controls before unplugging.
- Do not pick up anything that is burning or smoking, such as cigarettes, matches, or hot ashes.
- Do not use without dust bag and/or filters in place.
- Prevent unintentional starting. Ensure the switch is in the off-position before connecting to battery pack, picking up or carrying the appliance. Carrying the appliance with your finger on the switch or energizing appliance that have the switch on invites accidents.
- Recharge only with the charger specified by the manufacturer. A charger that is suitable for one type of battery pack may create a risk of fire when used with another battery pack.

- Use appliances only with specifically designated battery packs. Use of any other battery packs may create a risk of injury and fire.
- Under abusive conditions, liquid may be ejected from the battery; avoid contact. If contact accidentally occurs, flush with water. If liquid contacts eyes, additionally seek medical help. Liquid ejected from the battery may cause irritation or burns.
- Do not use a battery pack or appliance that is damaged or modified. Damaged or modified batteries may exhibit unpredictable behavior resulting in fire, explosion or risk of injury.
- Do not expose a battery pack or appliance to fire or excessive temperature. Exposure to fire or temperature above 130°C may cause explosion.
- Follow all charging instructions and do not charge the battery pack or appliance outside of the temperature range specified in the instructions. Charging improperly or at temperatures outside of the specified range may damage the battery and increase the risk of fire.
- Have servicing performed by a qualified repair person using only identical replacement parts. This will ensure that the safety of the product is maintained.
- Do not modify or attempt to repair the appliance except as indicated in the instructions for use and care.
- Place the cords from other appliances out of the area to be cleaned.
- Do not operate the vacuum in a room where an infant or child is sleeping.
- Do not operate the vacuum in an area where there are lit candles or fragile objects on the floor to be cleaned.
- Do not operate the vacuum in a room that has lit candles on furniture that the vacuum may accidentally hit or bump into.
- Do not allow children to sit on the vacuum.
- Do not use the vacuum on a wet surface.
- Household use only
- The charging dock must only be supplied at safety extra-low voltage defined in the standard of EN 60335-1 corresponding to the marking on the charging dock. (for EU region)
- This charging dock can only charge lithium batteries and can only charge one battery at a time. The capacity of the battery does not exceed 2600mAh.

## SAVE THESE INSTRUCTIONS

TP-Link hereby declares that the device is in compliance with the essential requirements and other relevant provisions of directives 2014/53/EU, 2009/125/EC, 2011/65/EU and (EU) 2015/863. The original EU declaration of conformity may be found at

<https://www.tapo.com/en/support/ce/>

TP-Link hereby declares that the device is in compliance with the essential requirements and other relevant provisions of the Radio Equipment Regulations 2017.

The original UK declaration of conformity may be found at <https://www.tapo.com/support/ukca/>

## Safety Information

Keep the device away from water, fire, humidity or hot environments.

This appliance contains batteries that are only replaceable by skilled persons.

Do not attempt to disassemble, repair, or modify the device. If you need service, please contact us.

### Warning

Avoid replacement of a battery with an incorrect type that can defeat a safeguard.

Avoid disposal of a battery into fire or a hot oven, or mechanically crushing or cutting of a battery, that can result in an explosion.

Do not leave a battery in an extremely high temperature surrounding environment that can result in an explosion or the leakage of flammable liquid or gas; Do not leave a battery subjected to extremely low air pressure that may result in an explosion or the leakage of flammable liquid or gas.

Children should be supervised to ensure that they do not play with the appliance.

The appliance is only to be used with the charging station (Tapo RVB101) provided with the appliance.

WARNING: For the purposes of recharging the battery, only use the detachable supply unit provided with this appliance:

SA182H-190060K / SA182H-190060S / SA182V-190060V / SA182V-190060B / SA182V-190060J / SA182V-190060U / SA182V-190060IV

The appliance contains a 2600mAh lithium-ion battery.

This appliance can be used by children aged from 8 years and above and persons with reduced physical, sensory or mental capabilities or lack of experience and knowledge if they have been given supervision or instruction concerning use of the appliance in a safe way and understand the hazards involved. Children shall not play with the appliance. Cleaning and user maintenance shall not be made by children without supervision.

Operating Temperature: 0 ~ 40°C

Storage temperature: -20 ~ 60°C

When the battery is charged: 0 ~ 45°C

### For EU/UK Region

Operating Frequency:

2400MHz~2483.5MHz / 20dBm (Wi-Fi)

2402~2480MHz / 10dBm (Bluetooth)

TP-Link Corporation Limited

Suite 901, New East Ocean Centre, Tsim Sha Tsui, Hong Kong



Direct Current



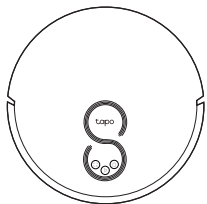
For indoor use only



A specific detachable supply unit is required for connecting the equipment to the supply mains.

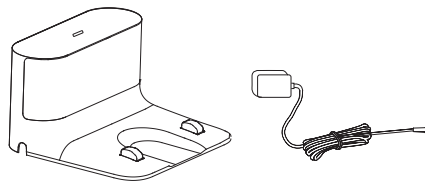


# Package Contents

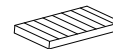


**Robot Vacuum\***

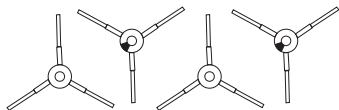
\*One HEPA filter installed



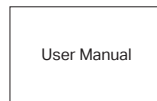
**Charging Dock ×1 + Power Adapter x1**



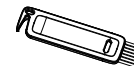
**HEPA Filter ×1**



**Side Brush ×4**



**User Manual ×1**

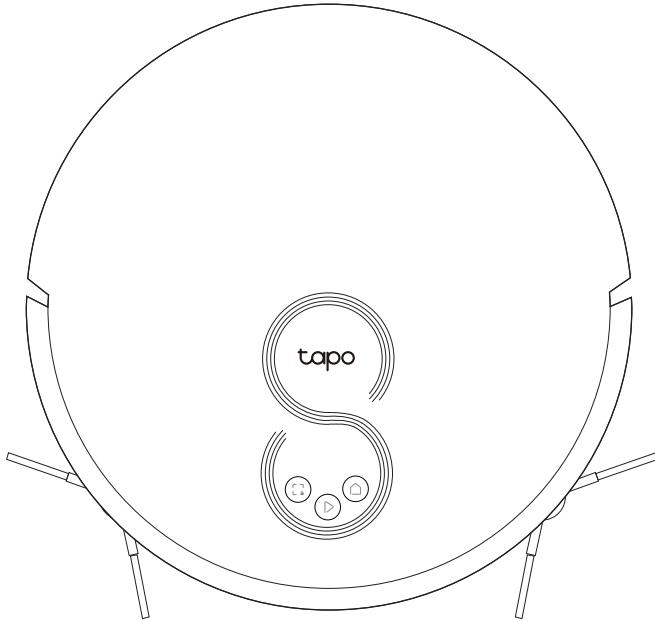


**Cleaning Brush ×1**

\*Can be found on the dustbin inside

# Overview

## Robot Vacuum



### Power/Clean

- Press once: Start/pause cleaning.
- Press and hold for 3 seconds: Turn on/off the robot vacuum.

\*For the first use, slide the power switch from OFF to ON to turn on.

### Dock

- Return to the dock to charge.

### Spot Cleaning/Child Lock

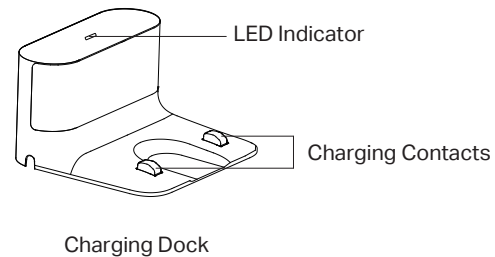
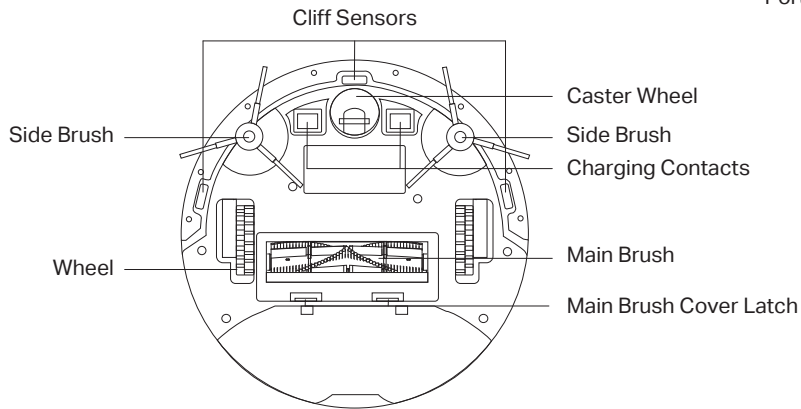
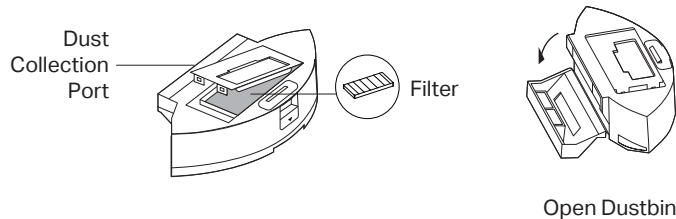
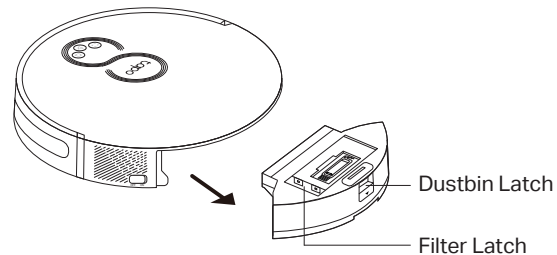
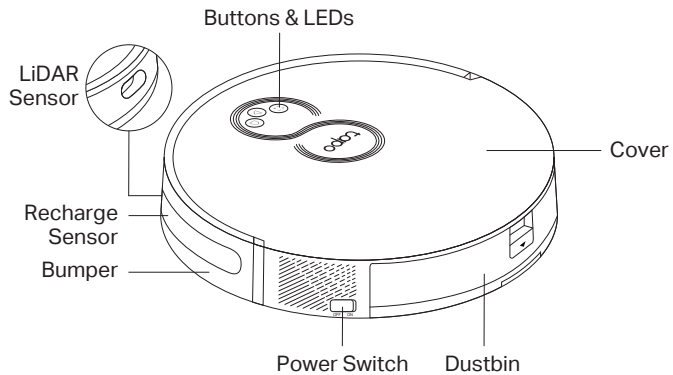
- Press once: Start spot cleaning.
- Press and hold for 5 seconds: Turn on/off the child lock.

### + Combination Button

- Press and hold simultaneously for 5 seconds: Enter setup mode to configure network.
- Press and hold simultaneously for 10 seconds: Restore to factory default settings.

### LED

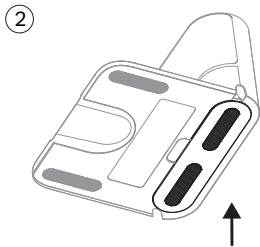
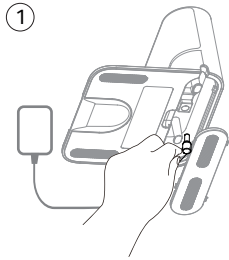
- Red: Battery level < 20%; Error
- Orange: Battery level between 20% and 80%
- Green: Battery level > 80%



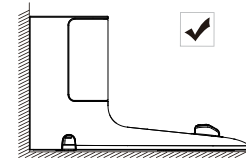
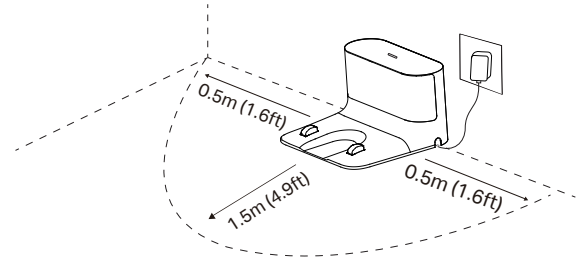


# 1 Position the Dock

1. Remove the bottom cover of the dock, connect the power cord to the dock, and then replace the cover.



2. Place the dock on a level surface, flat against a wall, without obstacles within 1.5m (4.9ft) in front and 0.5m (1.6ft) on left and right.

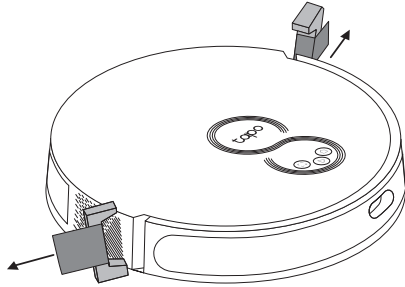


## Notes

- To ensure a better user experience, make sure the area is with good Wi-Fi signals.
- Do not place it in direct sunlight. Ensure the area around the dock is free of clutter to improve docking performance.
- To prevent the risk of your robot vacuum falling downstairs, ensure that the dock is placed at least 1.2m (4 ft) away from stairs.
- Always keep the dock powered on, otherwise the robot vacuum will not automatically return. And do not move the dock frequently.

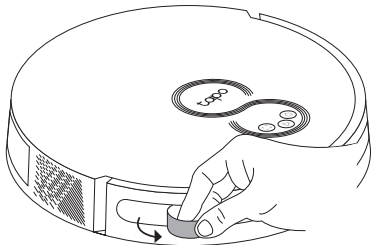
## 2 Remove Protective Strip

Before use, remove the protective strips on both sides of the front bumper.



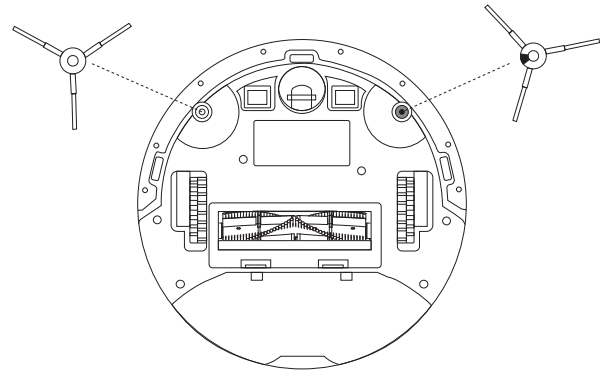
## 3 Remove Protective Film

Remove the protective film on the front bumper.



## 4 Install Side Brushes


1. Identify the colors on the side brushes and the slots of the robot vacuum (black-black; white-white).
2. Install the side brushes according to the colors and press them tightly to ensure they are installed in place.

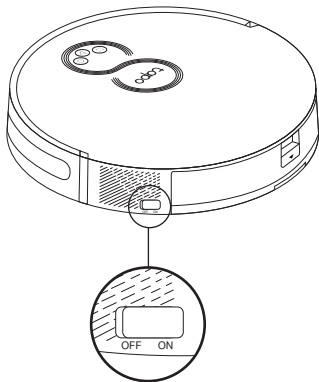



## 5 Power On and Charge

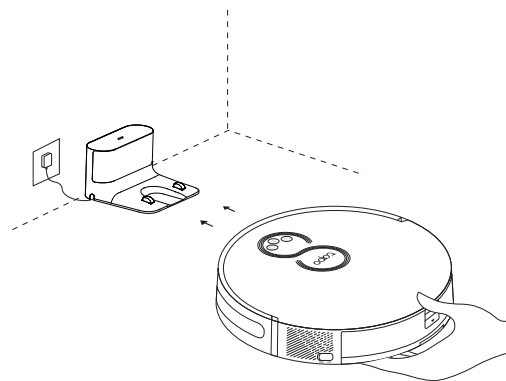
Slide the power switch from OFF to ON to turn on your robot vacuum.

### Notes

- If the power switch is in the ON position, you can also press and hold the  button for 3 seconds to turn on/off your robot vacuum.
- If the power switch is in the OFF position, the robot vacuum will automatically turn on when it is charged on the dock, and turn off when it leaves the charging dock.



Place the robot vacuum on the charging dock or tap  to send it back to the dock to charge. It will return to the dock at the end of a cleaning job and whenever it needs to recharge.



### Notes

- When the LED of the charging dock flashes 3 times and then goes out, the charging will begin.
- We recommend that you charge the robot vacuum fully for about 4 hours prior to starting the first cleaning job.

## 6 Download the Tapo App and Connect to Wi-Fi

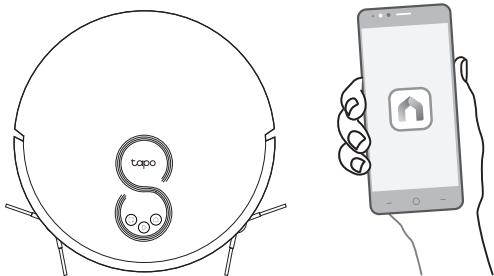
1. Download the Tapo app from the App Store or Google Play, then log in.



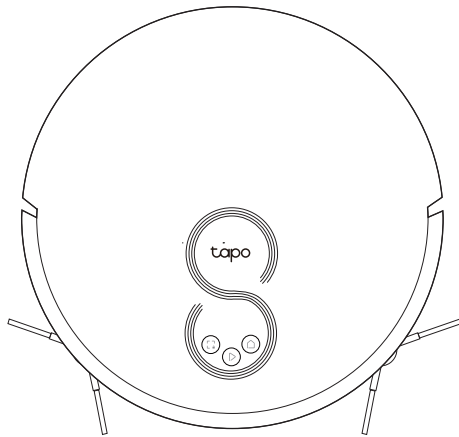
In the Tapo app, you can enjoy the following functions.


- **Smart Maps**  
Create smart maps to tell your robot vacuum where to clean.
- **Cleaning Modes & Preferences**  
Customize vacuum power, cleaning times, and cleaning areas.
- **Scheduled Cleaning**  
Set an automatic cleaning schedule, then the robot vacuum will clean automatically at the set time and return to the dock after cleaning.
- **Custom Zones & Virtual Walls**  
Add restricted zones and virtual walls to prevent access to certain areas and rooms.


2. Open the Tapo app, tap + icon, and select your model. Follow the step-by-step instructions to easily set up your robot vacuum.



## 7 Cleaning



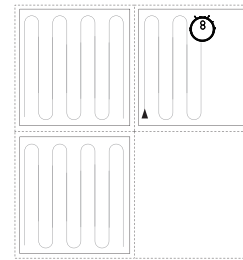
 **Press Once**  
Start/pause cleaning.

 **Press Once**  
Start spot cleaning.

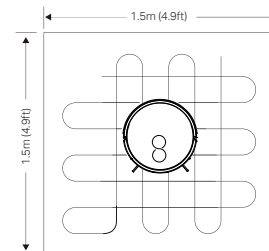
### Notes

- Cleaning cannot start if the battery is too low. Charge your robot vacuum first.
- Pick up obstacles like wires, clothing, and plastic bags. Loose wires and objects may get caught in the robot vacuum, resulting in disconnection or damage to wires and property.
- Put away high pile carpeting before cleaning.
- Do not pick up the robot vacuum during cleaning.
- If the cleaning area is too small, the area may be cleaned twice.
- If the robot vacuum is paused for 10 minutes, it will automatically enter sleep mode and the cleaning job will be canceled.

The robot vacuum will automatically explore and clean your home in neat rows. It will return to the charging station at the end of a cleaning job and whenever it needs to recharge.



In Spot Cleaning mode, it will clean a rectangular area of 1.5m × 1.5m (4.9ft × 4.9ft) centered on itself.



## 8 Care and Maintenance

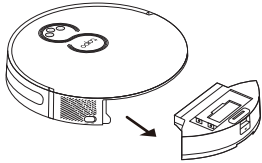
To maintain optimal performance, maintain the robot vacuum according to the following guidelines.

| Part              | Maintenance Frequency | Replacement Frequency* |
|-------------------|-----------------------|------------------------|
| Dustbin           | Clean/wash as needed  | /                      |
| Filter            | Once a week           | 3-6 months             |
| Main Brush        | Every 2 weeks         | 6-12 months            |
| Side Brush        | Once a month          | 3-6 months             |
| Caster Wheel      | Clean as needed       | /                      |
| Main Wheels       | Once a month          | /                      |
| Sensors           | Once a month          | /                      |
| Charging Contacts | Once a month          | /                      |

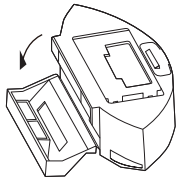
\*Replacement frequency may vary depending on the actual situation. Parts should be replaced if visible wear appears.

# Empty the Bin

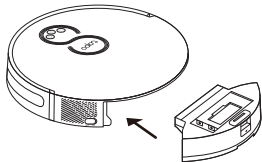
1. Remove the dustbin.



2. Open the dustbin to empty the dustbin.

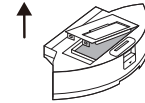


3. Place the dustbin back inside the robot vacuum.



# Clean the Filter

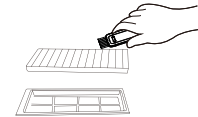
1. Remove the dustbin and open the lid.



2. Remove the filter.

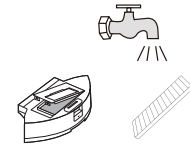


3. Clean the filter with a cleaning brush.

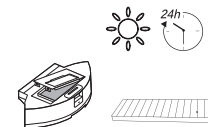


4. Wash the dustbin and filter.

■ Do not wash with hot water or detergents.

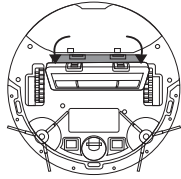


5. Air-dry the dustbin and filter thoroughly, then install the filter in the previous orientation.

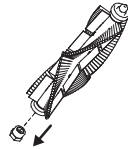


## Clean the Main Brush

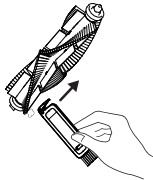
1. Turn the robot vacuum over, then unlatch and remove the main brush cover.



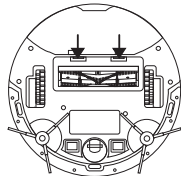
2. Remove the brush and its end cap.



3. Remove any hair or debris with the cleaning brush.

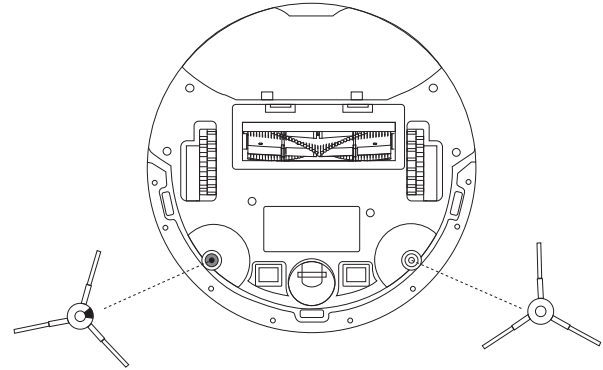


4. Re-install the cap and main brush. Press on the main brush cover to lock it in place.



## Clean the Side Brushes

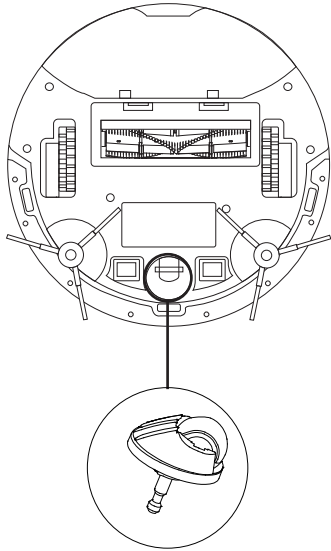
1. Pull firmly to remove the side brushes and remove any entangled debris. Wipe with a damp cloth if needed.
2. Re-install the side brushes to the slot (black-black; white-white) and press them tightly to ensure they are installed in place.





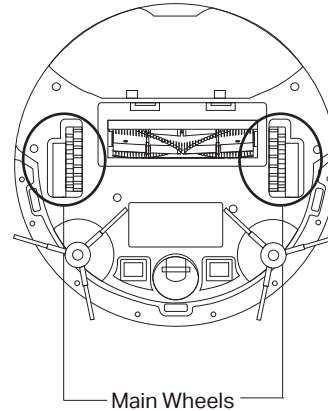
# Clean the Caster Wheel

1. Pull firmly to remove the caster wheel and remove hair or dirt.
2. Re-install the caster wheel and press it firmly in place.



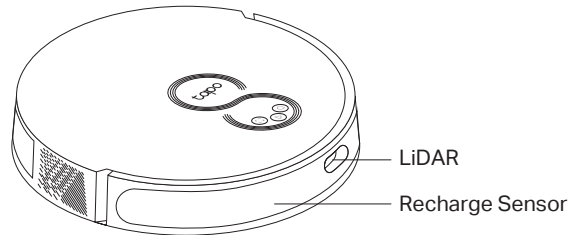
# Clean Main Wheels

Wipe main wheels with a clean, dry cloth.



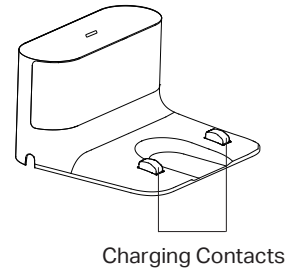
# Clean the LiDAR and Sensors

Wipe the sensors with a clean, dry cloth.

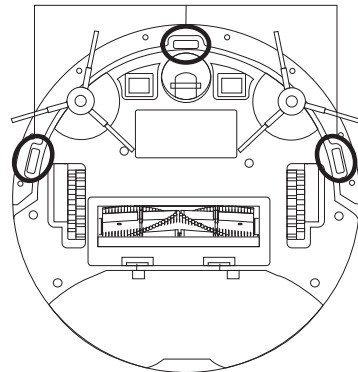


# Clean the Charging Contacts

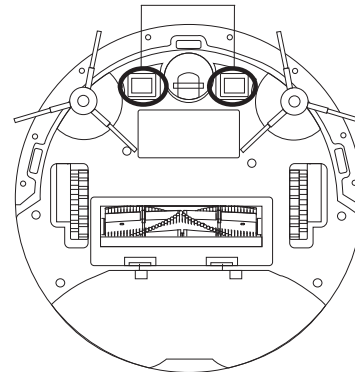
Wipe charging contacts with a clean, dry cloth.



Cliff Sensors




Charging Contacts



## 9 Troubleshooting


| Issues                                     | Solution  |
|--|---|
| Setup failure                              | <ol style="list-style-type: none"><li>1. Check if the power switch on the left side of the robot vacuum is toggled to "ON".</li><li>2. The battery level is low. Please place the robot vacuum on the dock to charge and it will start automatically when it is ready.</li><li>3. Check your internet connection or check if you have configured Allow List or Firewall settings on your router.</li></ol>  |
| Charging failure                           | <ol style="list-style-type: none"><li>1. Please remove the robot vacuum and check whether the indicator light of the dock is on, and make sure that both ends of the power adapter of the dock are plugged in.</li><li>2. Poor contact. Please clean up the spring contacts on the dock and the charging contacts on the robot vacuum.</li></ol>  |
| Recharge failure                           | <ol style="list-style-type: none"><li>1. There are many obstacles near the dock. Please place the dock in an open area and try again.</li><li>2. The robot vacuum is far from the dock. Please place the robot vacuum near the dock and try again.</li><li>3. Please clean up the spring contacts on the dock and the recharge sensor/charging contacts on the robot vacuum.</li><li>4. Move the charging station to the hard floor or put a waterproof pad (sold separately) under the charging station.</li></ol> |
| Abnormal operation                         | Shut down and try again.  |
| Abnormal noise during cleaning             | There may be foreign matter entangled in the main brush, side brush or wheels. Please clean up after shutdown.  |
| Decreased cleaning ability or dust leakage | <ol style="list-style-type: none"><li>1. The dustbin is full. Please clean the dustbin.</li><li>2. The filter is clogged. Please clean or replace the filter.</li><li>3. The main brush is entangled by foreign matter. Please clean the main brush.</li></ol>  |

| Issues  | Solution   |
|---|--|
| Failure to connect to Wi-Fi   | <ol style="list-style-type: none"> <li>1. The Wi-Fi signal is poor. Please make sure the robot vacuum is in an area with good Wi-Fi signals.</li> <li>2. Wi-Fi connection is abnormal. Please reset the Wi-Fi and download the latest app and try again.</li> <li>3. The password is entered incorrectly. Please check.</li> <li>4. The robot vacuum only supports the 2.4 GHz frequency band. Please connect to a 2.4 GHz Wi-Fi.</li> </ol>         |
| Scheduled cleaning doesn't work   | <ol style="list-style-type: none"> <li>1. The battery level is low. The scheduled cleaning will work when the battery level is above 20%.</li> <li>2. The cleaning is already in progress when the schedule starts.</li> <li>3. Do Not Disturb is set in the app. Make sure the schedule is not within the set Do Not Disturb period.</li> <li>4. There is no internet access for your Wi-Fi network and your robot vacuum has restarted.</li> </ol> |
| Whether the robot vacuum consumes power when it is placed on the dock               | <p>The power consumption is very low when the robot vacuum is placed on the dock, which helps the battery to maintain optimal performance.</p>   |
| Whether the robot vacuum needs to be charged for 16 hours for the first three times | <p>Lithium battery has no memory effect when in use, and there is no need to wait when it is fully charged.</p>  |



 If the corresponding issues cannot be solved by referring to the above methods, please contact our Technical Support.

## 10 Voice Prompts for Issues


| Voice Prompt  | Solution  |
|---|---|
| Error 1: Battery Error.<br>Please refer to the manual or app.                       | The battery temperature is too high or too low. Please wait until the battery temperature changes to 0°C- 40°C (32°F- 104°F).   |
| Error 2: Wheel Module Error.<br>Please refer to the manual or app.                  | Please check whether there are foreign objects stuck in the wheels, and restart the robot vacuum.   |
| Error 3: Side Brush Error.<br>Please refer to the manual or app.                    | Please check whether there are foreign objects stuck in the side brush, and restart the robot vacuum.   |
| Error 4: Suction Fan Error.<br>Please refer to the manual or app.                   | Please check whether there are foreign objects stuck in the fan port, and restart the robot vacuum.<br>Please clean the dust box and filter, and restart the robot vacuum.                    |
| Error 5: Main Brush Error.<br>Please refer to the manual or app.                    | Please remove the main brush and clean the main brush, the connection part of the main brush, the main brush cover and the dust suction port. Please restart the robot vacuum after cleaning. |
| Error 7: LiDAR Error. Please refer to the manual or app.                            | Please check whether there are foreign objects in the laser sensor, and restart the robot vacuum after cleaning.  |
| Error 8: Abnormal operation.<br>Please check whether the power switch is turned on. | Please toggle the power switch on the robot vacuum to "ON".   |

 If the corresponding issues cannot be solved by referring to the above methods, please contact our Technical Support.

# Energy Saving Mode

When the robot vacuum is docked, press and hold the Power button  and the Dock button  for more than 15 seconds until the LED turns off. And it will enter the Energy Saving mode.

In this mode, only the charging feature will work. Other functions will not work, such as LEDs will be off, sensors will not work, and Wi-Fi will be disconnected.

To exit the Energy Saving mode, press the Power button  on the robot vacuum. It will restart to normal mode automatically.





## **Need some help?**

**Visit [www.tapo.com/support/](http://www.tapo.com/support/)**

for technical support, user guides, FAQs, warranty & more