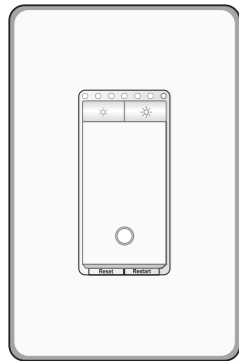


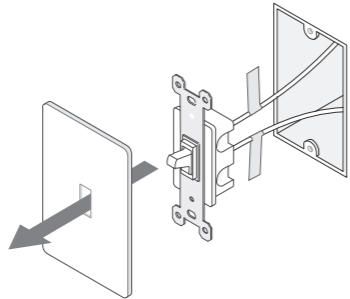
Product Introduction

Tapo smart dimmer switch turns on and dims the lights automatically, saving you effort and electricity bills.



Wire Your Switch

- 1) **Turn off** the circuit breaker. Then remove the old wallplate of the wall switch and label the **Ground** and **Neutral** wires.



Ground: Usually green or copper.

Neutral: Usually white and not connected to the dumb switch.

Line: Usually black and coming from the circuit breaker.

Load: Usually black. One end is connected to the light.

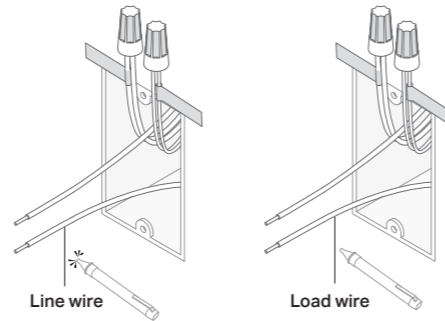
If you are unsure, consult a qualified electrician.

- 2) Disconnect the wires from the old switch.

- 3) Identify **Line** and **Load** wires.

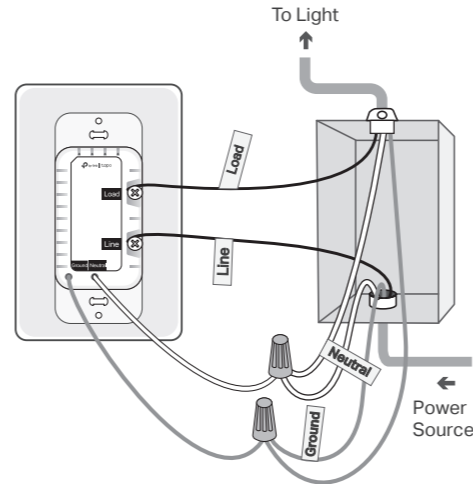
- 1) **Turn on** the circuit breaker. Use a voltage detector to identify the energized wire (**Line wire**).

⚠ Take care to avoid electric shocks.

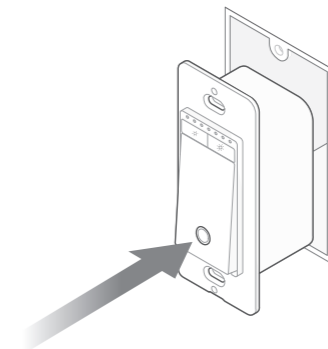


- 2) **Turn off** the circuit breaker. Label the **Line** and **Load** wires.

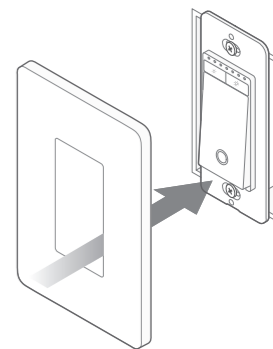
- 4) Connect the wires to the smart dimmer switch as shown below.



- 5) Line up the switch with the mounting holes. Secure it with screws.



- 6) Attach the wallplate and turn on the circuit breaker. Then the wiring is finished.



Set Up Your Switch

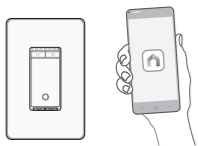
STEP 1 DOWNLOAD APP

Get the **Tapo** app from the App Store or Google Play.



STEP 2 SET UP

Tap the **+** button in the app. Select **Switches** and then your model. Follow the step-by-step app instructions to set up your smart switch.



Set Up with Matter

This is a Matter-certified device. You can integrate it into any Matter ecosystem you prefer for easy control.

How to Set Up

A Matter-supported **controller** and **smart home app** of the same ecosystem are required.

1. Turn on Bluetooth on your phone.
2. Open your selected smart home app and enter the provided numeric setup code on your device or scan the Matter QR code on the provided label.
3. Follow the instructions in the app to complete setup.

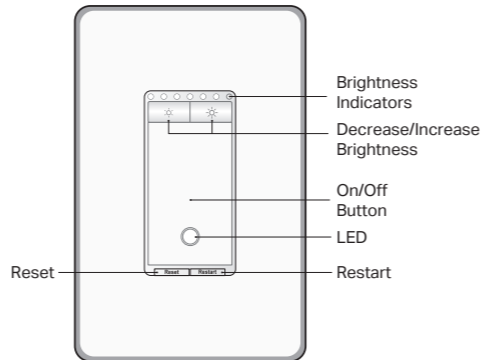
Note: Setup processes may vary between ecosystems.

Failed to Set Up?

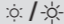
1. Try to connect your phone to a stable **2.4 GHz** Wi-Fi network with internet access instead of a **5 GHz** network.
2. Press the Restart button once to restart your device.
3. Refer to the FAQ for detailed instructions: <https://www.tp-link.com/support/faq/3520/>



Appearance



Button Explanations

	Decrease or increase the brightness.
Reset	Press and hold for about 5s to reset Wi-Fi while keeping other settings. Press and hold for about 10s to restore your switch to factory default settings.
Restart	Press to restart your switch.

LED Status

Solid amber	Starting up; disconnected from cloud.
Blinking amber & green	Ready for setup.
Blinking green	Connecting to Wi-Fi.
Stay green for 30s	Connected to Wi-Fi.
Solid red	Disconnected from Wi-Fi.
Blinking amber	Device resetting.
White	Light fixture is off.
Blinking green slowly	Firmware upgrading.

Specifications

Rating: 120 V~ 60 Hz
Load: 300 W Incandescent, 150 W LED
Operation temperature: 0~40 °C
Method of mounting included: Independently mounted (Vertically position only);
Operating control, Type 1 action
Pollution Degree 2, Rated Impulse Voltage 2500 V
Software Class A, NEMA Type 1.Y

CAUTION

High Voltage-Disconnect power supply before servicing

MISE EN GARDE

Haute tension. Débrancher l'alimentation électrique avant d'utiliser

Safety Notice

- Before installing, servicing or removing the switch, read and follow all safety precautions including the following:
- CAUTION – Risk of Electric Shock – More than one disconnect switch may be required to de-energize the equipment before servicing. A circuit breaker which disconnects the Line and Neutral conductor simultaneously is suitable. Ensure power is off at the circuit breaker before removing or installing any switch. Use a non-contact voltage tester to ensure the power is off.
 - The Smart Switch must be installed and used in accordance with the National Electric Code (NEC) or your local electrical code. If you are unfamiliar with these codes and requirements, or are uncomfortable performing the installation, consult a qualified electrician.
 - Do not install the Smart Switch with wet hands or when standing on wet or damp surfaces.
 - Install only in a suitable UL Listed outlet box (suitable dimensions: H > 2.95 in./75 mm, W > 1.81 in./46 mm, D > 2 in./51 mm).
 - Tighten terminal screws to 13 lbf-in.



Support

For technical support, user guides and other information, visit <https://www.tapo.com/support>.



Quick Start Guide

Smart Wi-Fi Dimmer Switch