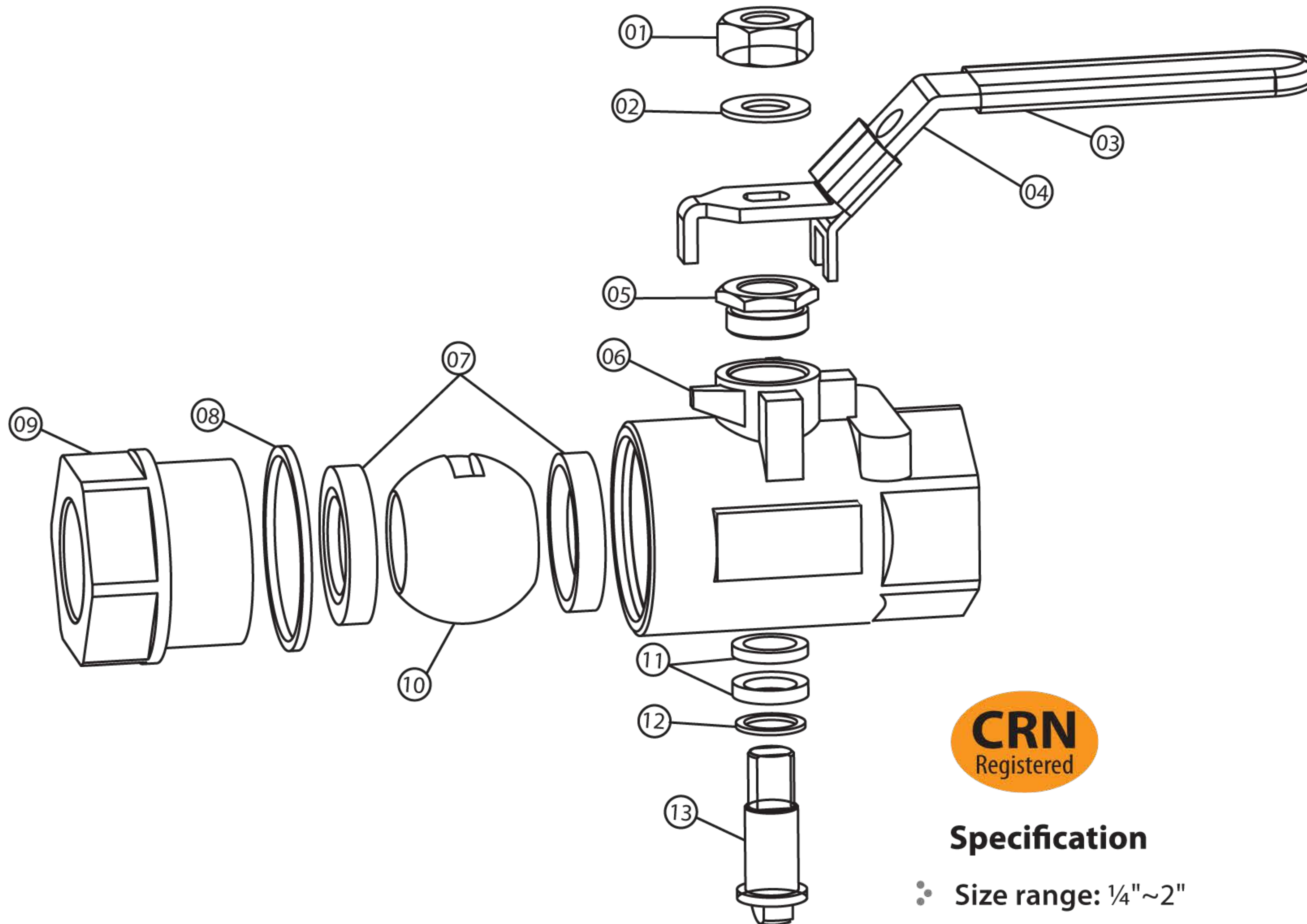


**T Series 2000 WOG  
 2-pc large port  
 CS ball valve**

**TR-2T**



**Specification**

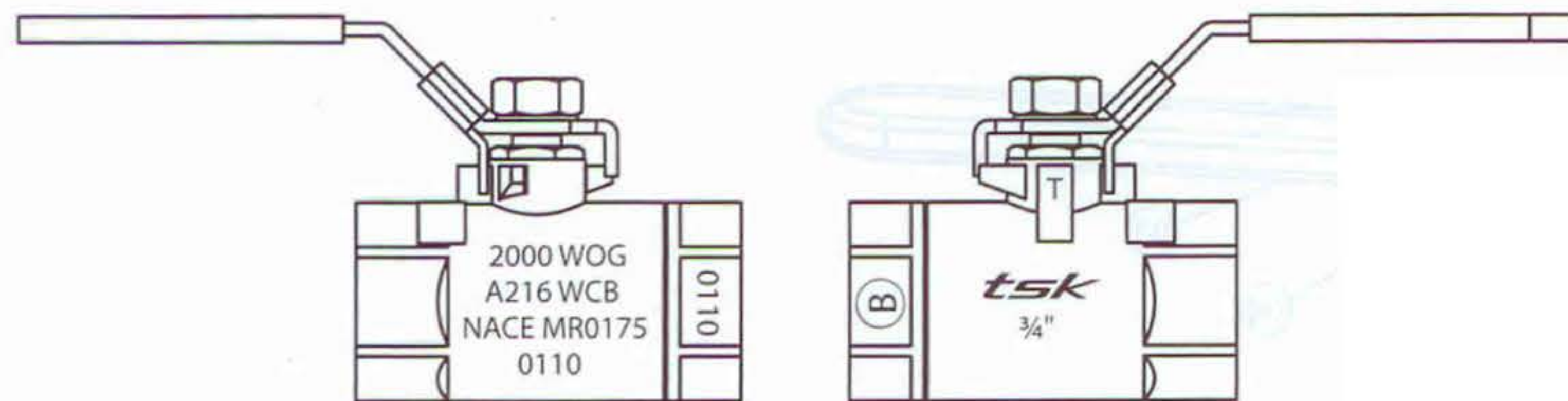
- ❖ Size range: ¼"~2"
- ❖ Rating: 2000 psi WOG
- ❖ Construction: Two-piece body, with floating ball design
- ❖ Flow bore: Large port

**Material list**

No.	Part name	Material	Qty	Remarks
1	Handle nut	Stainless steel 304 / A276	1	
2	Stem washer	Stainless steel 304 / A276	1	
3	Handle grip	Vinyl	1	
4	Handle	Stainless steel 304 / A276	1	
5	Gland nut	Carbon steel A108	1	
6	Body	A216 Gr. WCB	1	Optional material: A352 Gr. LCC
7	Seat	Reinforced Teflon 15% GFT	2	
8	Gasket	PTFE	1	
9	Cap	A216 Gr. WCB	1	Optional material: A352 Gr. LCC
10	Ball	Stainless steel A351 Gr. CF8M	1	
11	Packing	PTFE	1	
12	Thrust washer	Reinforced Teflon 15% GFT	1	
13	Stem	Stainless steel 316 / A276	1	

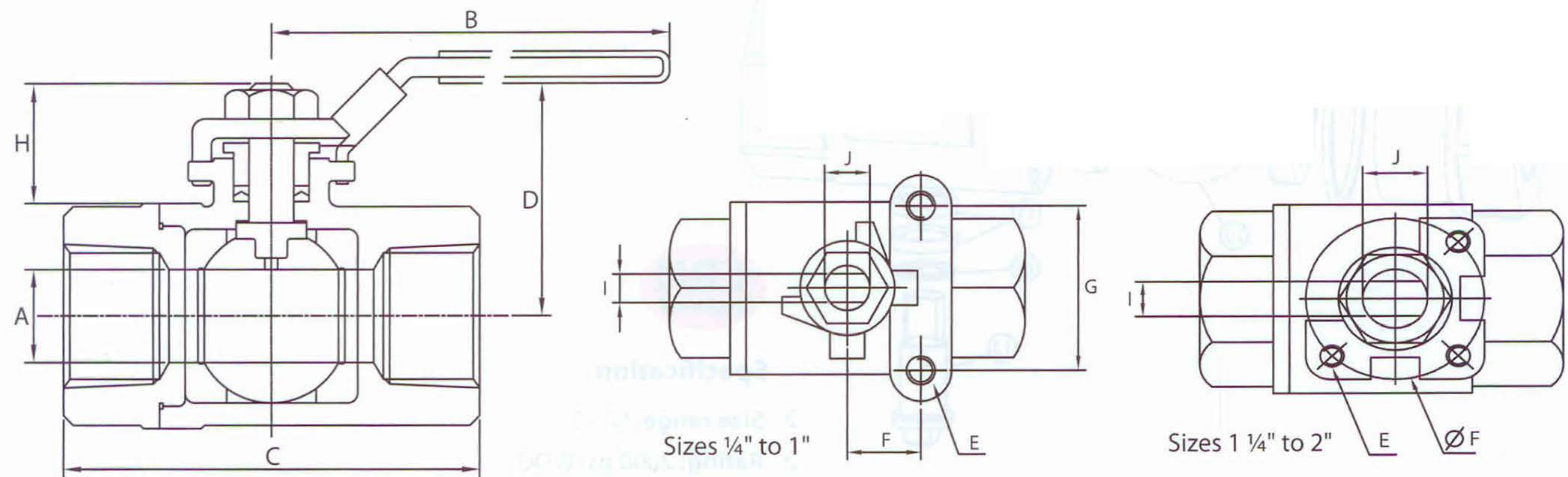
**T Series 2000 WOG  
 2-pc large port  
 CS ball valve**

**TR-2T**



**Product features**

- NPT connection according to ANSI B1.20.1
- Blowout-proof stem
- Valves comply with NACE MR0175
- Mounting pad to actuator available
- Adjustable packing gland



Note: The mounting pads have non-tapped reserved holes cast in, except for 3/4" and 1" (which are dimpled).

DIMENSIONS								
size	8	10	15	20	25	32	40	50
mm/in	3/4	1	1 1/4	1 1/2	2	2 1/2	3	4
A	11.0	12.5	12.5	17.5	20.6	25.0	31.8	38.0
mm/in	0.433	0.492	0.492	0.689	0.866	0.964	1.252	1.496
B	103.5	103.5	103.5	125.0	125.0	193.0	193.0	193.0
mm/in	4.075	4.075	4.075	4.921	4.921	7.598	7.598	7.598
C	58.00	58.00	60.00	79.50	88.50	102.00	111.00	137.00
mm/in	2.283	2.283	2.362	3.130	3.484	4.016	4.370	5.394
D	54.0	54.0	57.0	65.5	69.5	88.5	94.5	107.0
mm/in	2.130	2.130	2.240	2.580	2.740	3.484	3.720	4.213
E	M6	M6	M6	M6	M6	M8	M8	M8
mm/in	M6	M6	M6	M6	M6	M8	M8	M8
F	12.7	12.7	12.7	22.1	22.1	50.0	50.0	50.0
mm/in	0.5	0.5	0.5	0.87	0.87	1.968	1.968	1.968
ISO 5211						F05	F05	F05
G	28.45	28.45	28.45	34.8	34.8			
mm/in	1.12	1.12	1.12	1.37	1.37			
H	24.5	24.5	22.50	27.50	27.50	24.50	24.50	26.00
mm/in	0.965	0.965	0.886	1.083	1.083	0.965	0.965	1.024
I	5.50	5.50	5.50	6.50	6.50	8.00	8.00	10.00
mm/in	0.217	0.217	0.217	0.256	0.256	0.315	0.315	0.394
J	7.70	7.70	7.70	9.30	9.30	12.50	12.50	15.60
mm/in	0.303	0.303	0.303	0.367	0.367	0.462	0.492	0.614

