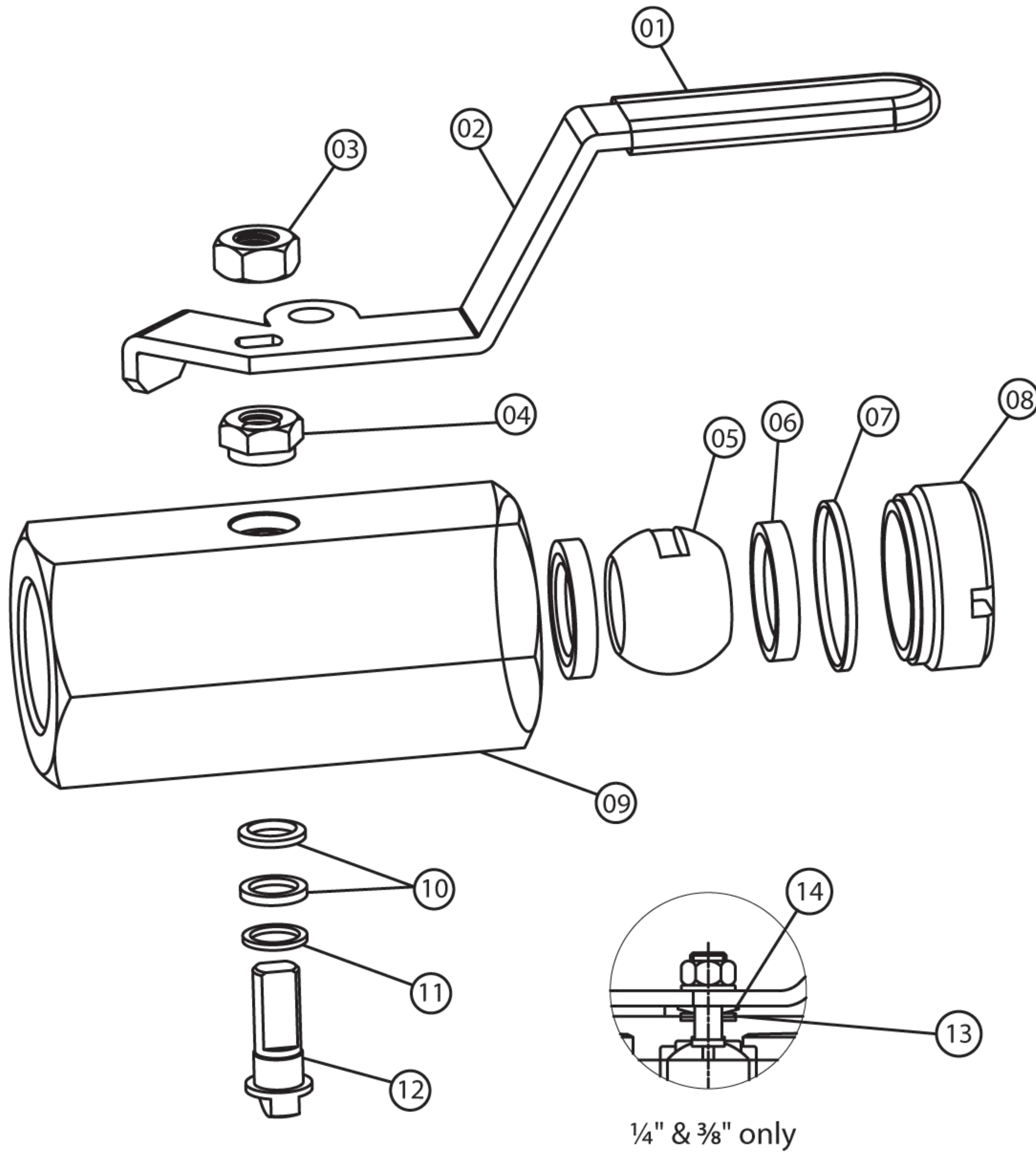


**T Series 2000 WOG
 1-pc reduced port
 CS ball valve**

TR-1T



Specification

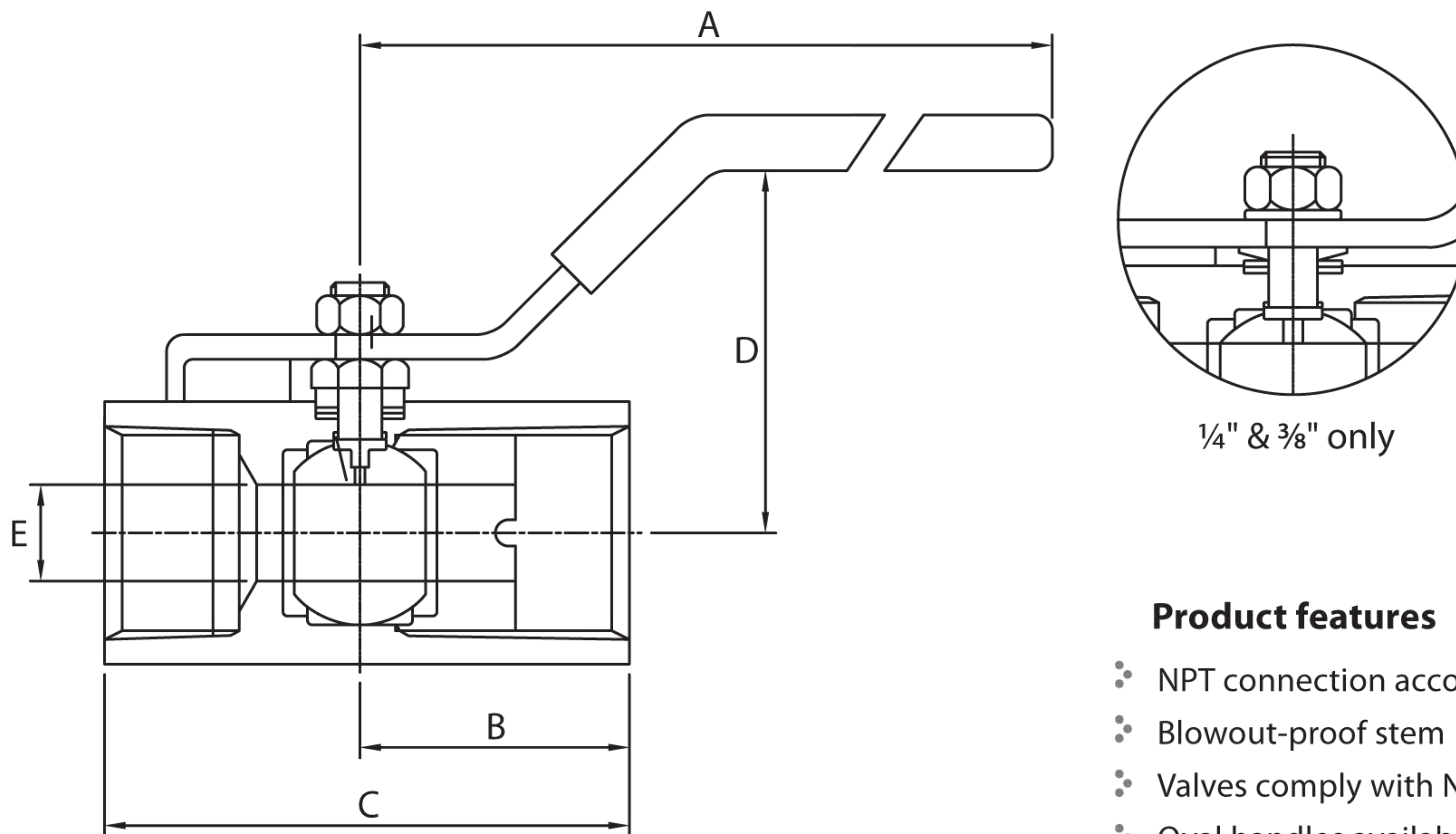
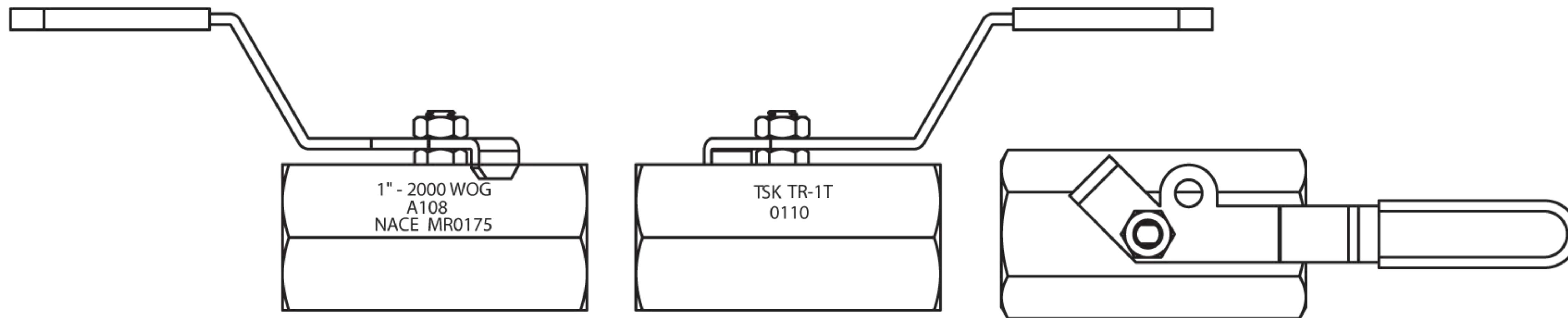
- **Size range:** 1/4"~2"
- **Rating:** 2000 psi WOG
- **Construction:** One-piece body, with floating ball design
- **Flow bore:** Reduced port

Material list

No.	Part name	Material	Qty	Remarks
1	Handle grip	Vinyl	1	
2	Handle	Carbon steel plated	1	
3	Handle nut	Carbon steel plated	1	
4	Packing bushing	Stainless steel 304 / A276	1	
5	Ball	Stainless steel A351 Gr. CF8	1	
6	Seat	Reinforced Teflon 15% GFT	2	
7	Gasket	PTFE	1	
8	Seat retainer	Carbon steel A108 Gr. 1020	1	
9	Body	Carbon steel A108 Gr. 1020	1	
10	Packing	PTFE	1	
11	Thrust washer	Reinforced Teflon 15% GFT	1	
12	Stem	Stainless steel 304 / A276	1	
13	Spring washer	Stainless steel 304 / A276	1	
14	Belleville washer	Stainless steel 301	1	

**T Series 2000 WOG
 1-pc reduced port
 CS ball valve**

TR-1T



Product features

- ❖ NPT connection according to ANSI B1.20.1
- ❖ Blowout-proof stem
- ❖ Valves comply with NACE MR0175
- ❖ Oval handles available at request

DIMENSIONS								
size	8	10	15	20	25	32	40	50
mm/in	1/4	3/8	1/2	3/4	1	1 1/4	1 1/2	2
A	66.30	80.00	109.47	109.47	122.00	147.50	147.50	154.00
mm/in	2.61	3.15	4.31	4.31	4.80	5.81	5.81	6.06
B	23.90	26.05	32.95	37.25	44.50	48.60	52.55	57.70
mm/in	0.94	1.03	1.30	1.47	1.75	1.91	2.07	2.27
C	43.10	47.35	61.72	69.85	85.73	93.67	101.60	114.30
mm/in	1.70	1.86	2.43	2.75	3.38	3.69	4.00	4.50
D	29.1	33.35	54.41	59.15	62.15	68.00	69.00	81.90
mm/in	1.15	1.31	2.14	2.33	2.45	2.68	2.72	3.22
E	4.60	6.80	9.20	12.50	16.00	20.00	24.70	32.00
mm/in	0.18	0.27	0.36	0.49	0.63	0.79	0.97	1.26

