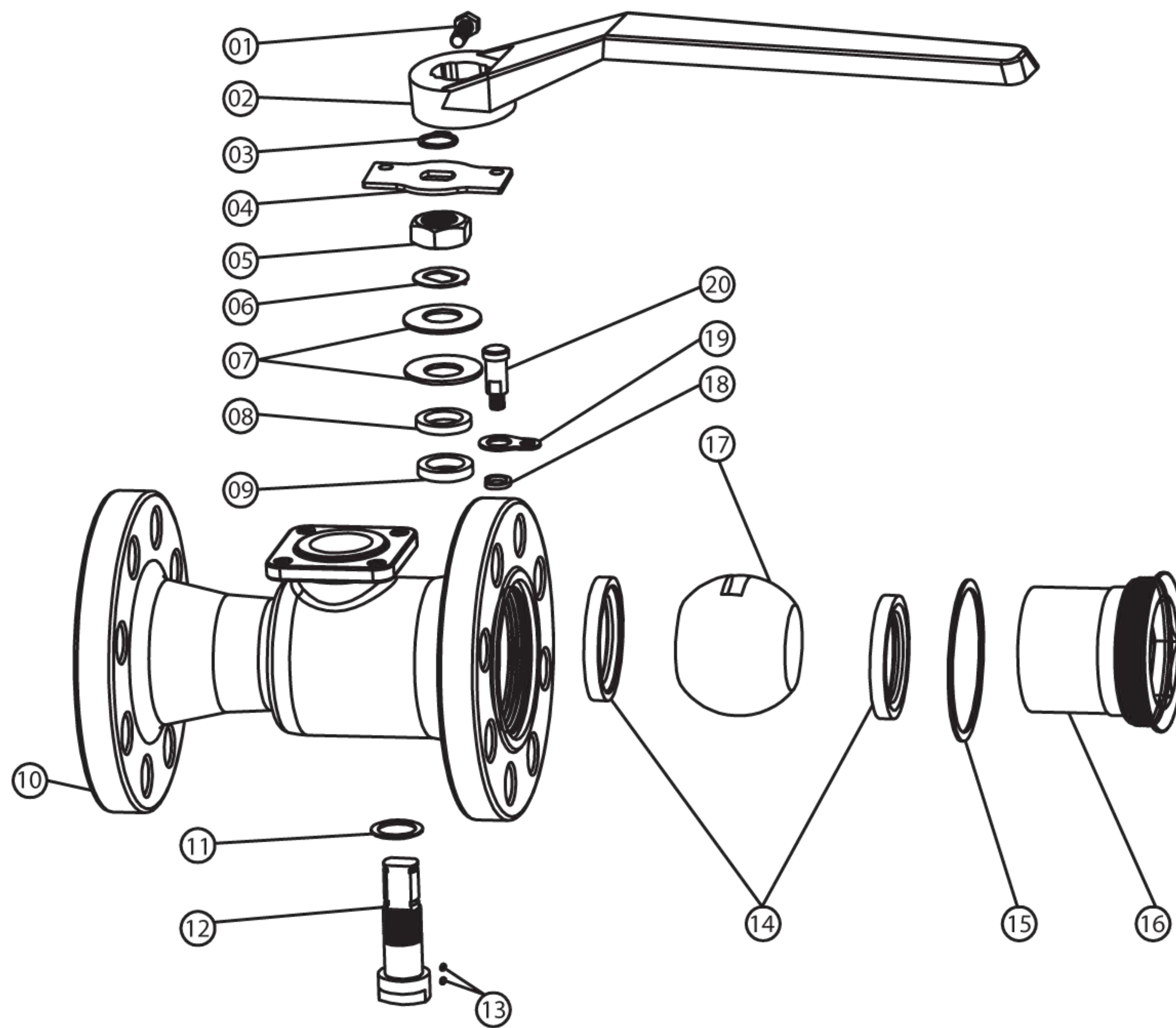


## T Series Class 300 1-pc reduced port CS ball valve

## TR-1F-CS-300, TR-1F-LC-300



### Specification

- ❖ Size range: 2", 3", 4" and 6"
- ❖ Rating: Class 300
- ❖ Construction: One-piece body, with floating ball design
- ❖ Flow bore: Reduced port

### Product features

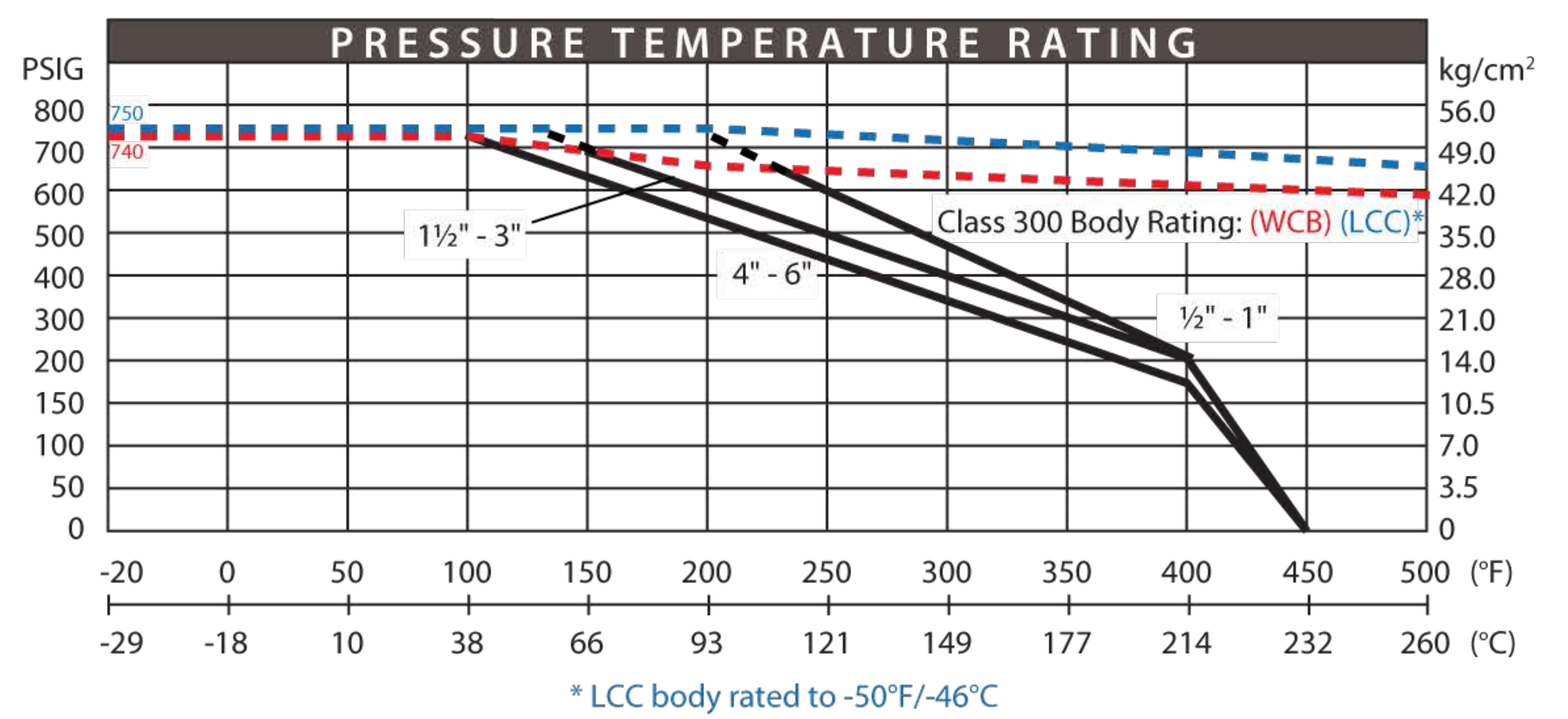
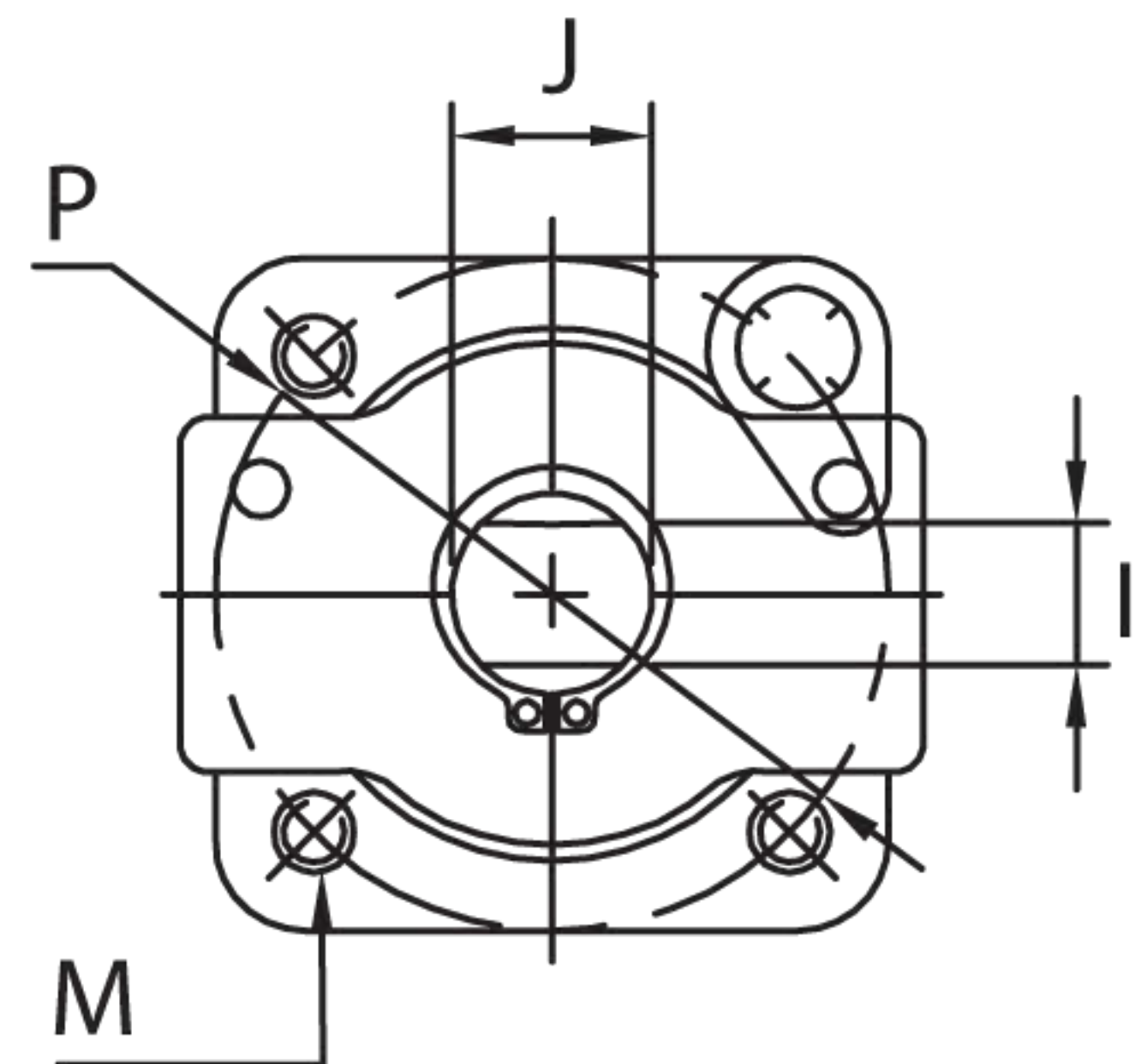
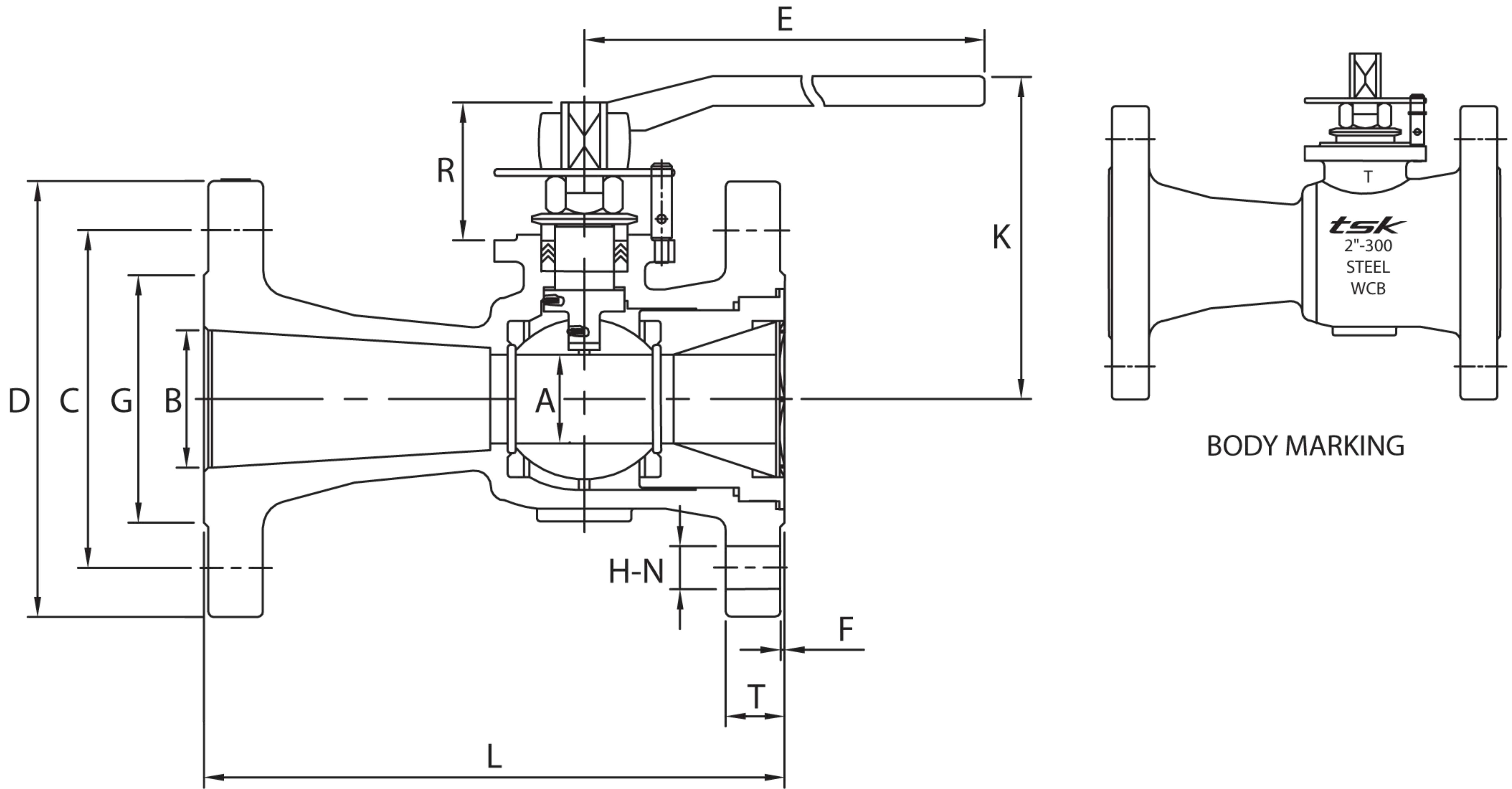
- ❖ Design conformed to ANSI B16.34
- ❖ Blowout-proof stem
- ❖ API 607 5<sup>th</sup> Edition fire-safe test approved
- ❖ Materials complied with NACE MR0175
- ❖ Mounting pad to actuator complied with ISO 5211
- ❖ Anti-static design
- ❖ Also available with LCC body (TR-1F-LC-300)

### Material list

No.	Part name	Material	Qty	Remarks
1	Screw	Carbon steel plated	1	
2	Handle	Ductile iron	1	
3	Retaining ring	Carbon steel	1	
4	Stopper plate	Stainless steel 304 / A276	1	
5	Gland nut	Carbon steel	1	
6	Lock washer	Stainless steel 304 / A276	1	
7	Belleville washer	Stainless steel 301	2	
8	Gland	Stainless steel 304 / A276	1	
9	Packing	Graphite	1 set	Optional material: PTFE in non fire-safe model
10	Body	A216 Gr. WCB	1	Optional material: A352 Gr. LCC
11	Thrust washer	Reinforced Teflon 15% GFT	1	
12	Stem	Stainless steel 316 / A276	1	
13	Anti-static device	Stainless steel 304 / A276	2 sets	
14	Seat	PTFE (TFM-1600)	2	
15	Body seal	Graphite	1	Optional material: PTFE in non fire-safe model
16	Body insert	A216 Gr. WCB	1	Optional material: A352 Gr. LCC
17	Ball	Stainless steel A351 Gr. CF8M	1	
18	Stem washer	Stainless steel 304 / A276	1	
19	Lock plate	Stainless steel 304 / A276	1	
20	Stopper pin	Stainless steel 304 / A276	1	

**T Series Class 300  
 1-pc reduced port  
 CS ball valve**

**TR-1F-CS-300,  
 TR-1F-LC-300**



**DIMENSIONS**

size (mm/in)	A	B	C	D	E	F	G	H	I	J	K	L	M	N	P	T	R	ISO 5211 flange
2"	38	50	127	165	230	1.6	92	19	14	20	121	216	5/16" UNC	8	70	22.3	49	F07
	1.50	1.97	5.00	6.50	9.06	0.06	3.62	0.75	0.55	0.79	4.76	8.50			2.76	0.88	1.93	
3"	58	76	168	210	350	1.6	127	22	17	25	162.5	283	3/8" UNC	8	102	28.5	59	F10
	2.28	3.00	6.61	8.27	13.78	0.06	5.00	0.88	0.67	0.98	6.40	11.14			4.02	1.12	2.32	
4"	76	102	200	254	460	1.6	157	22	17	25	176.5	305	3/8" UNC	8	102	31.8	59	F10
	3.00	4.02	7.87	10.00	18.11	0.06	6.18	0.88	0.67	0.98	6.95	12.00			4.02	1.25	2.32	
6"	114	152	270	318	750	1.6	216	22	23	34	238.5	403	1/2" UNC	12	125	36.6	73	F12
	4.49	5.98	10.63	12.52	29.53	0.06	8.50	0.88	0.91	1.34	9.39	15.87			4.92	1.44	2.87	