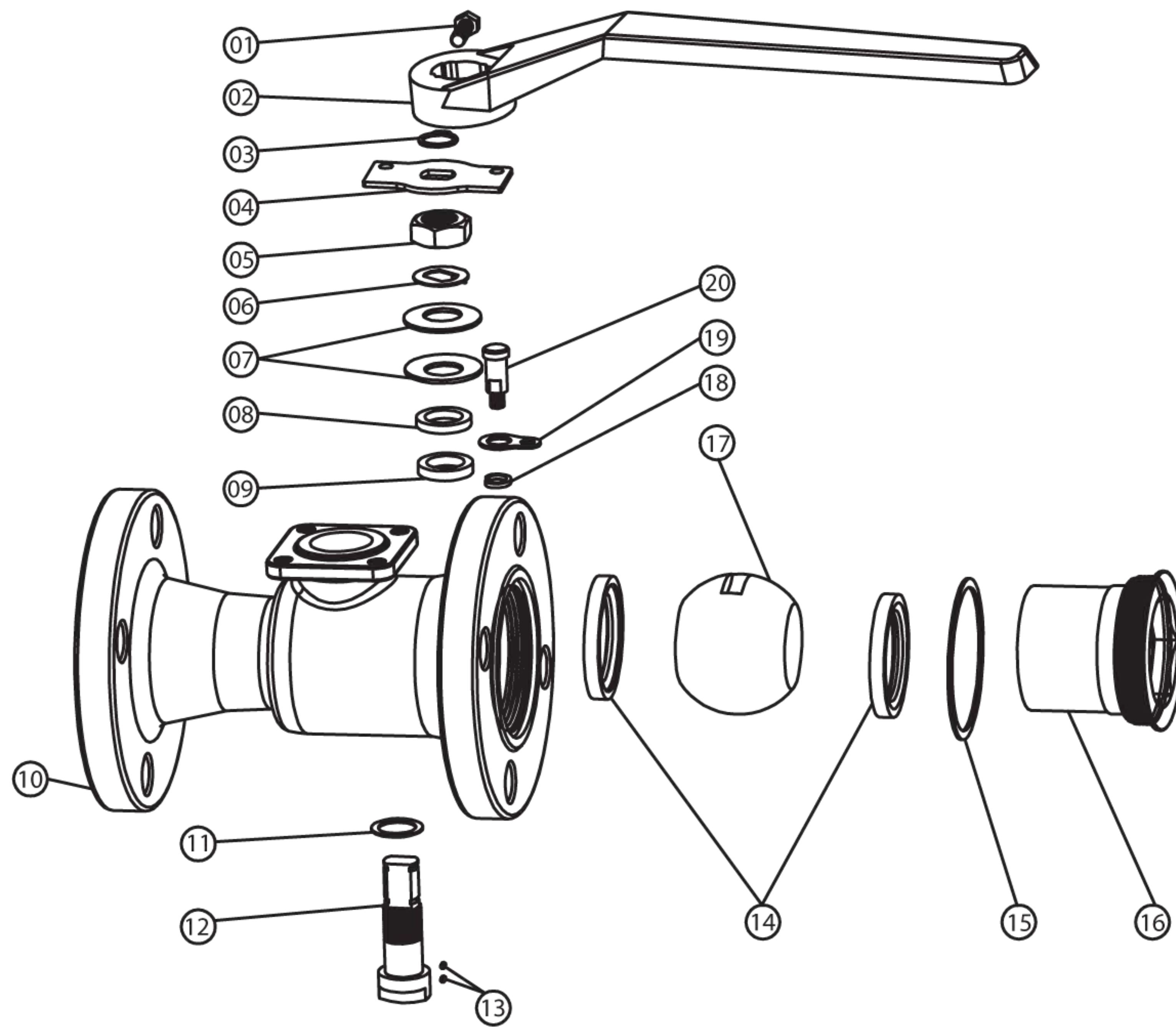


## T Series Class 150 1-pc reduced port CS ball valve

## TR-1F-CS-150, TR-1F-LC-150



### Specification

- ❖ Size range: 2", 3", 4" and 6"
- ❖ Rating: Class 150
- ❖ Construction: One-piece body, with floating ball design
- ❖ Flow bore: Reduced port

### Product features

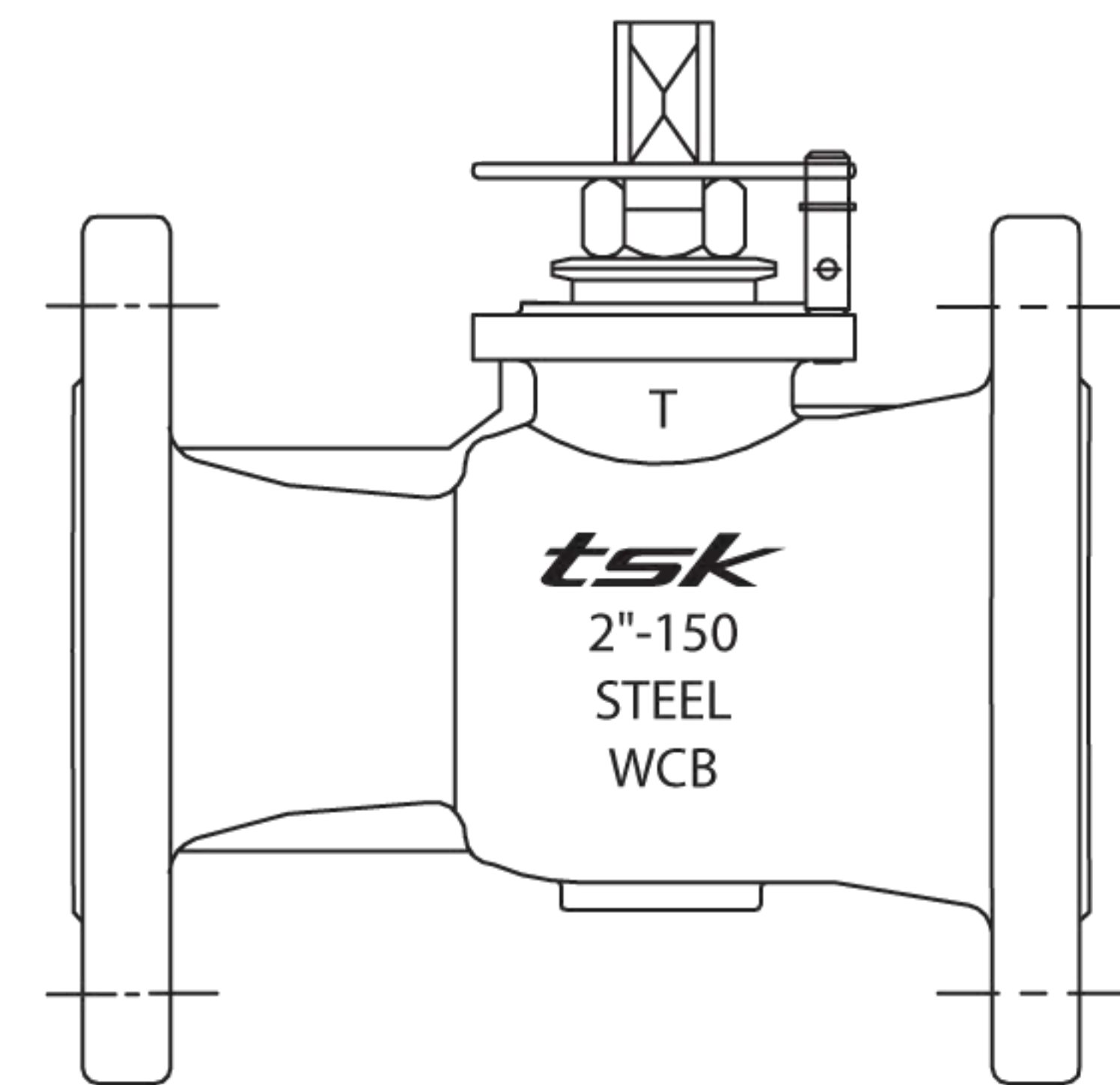
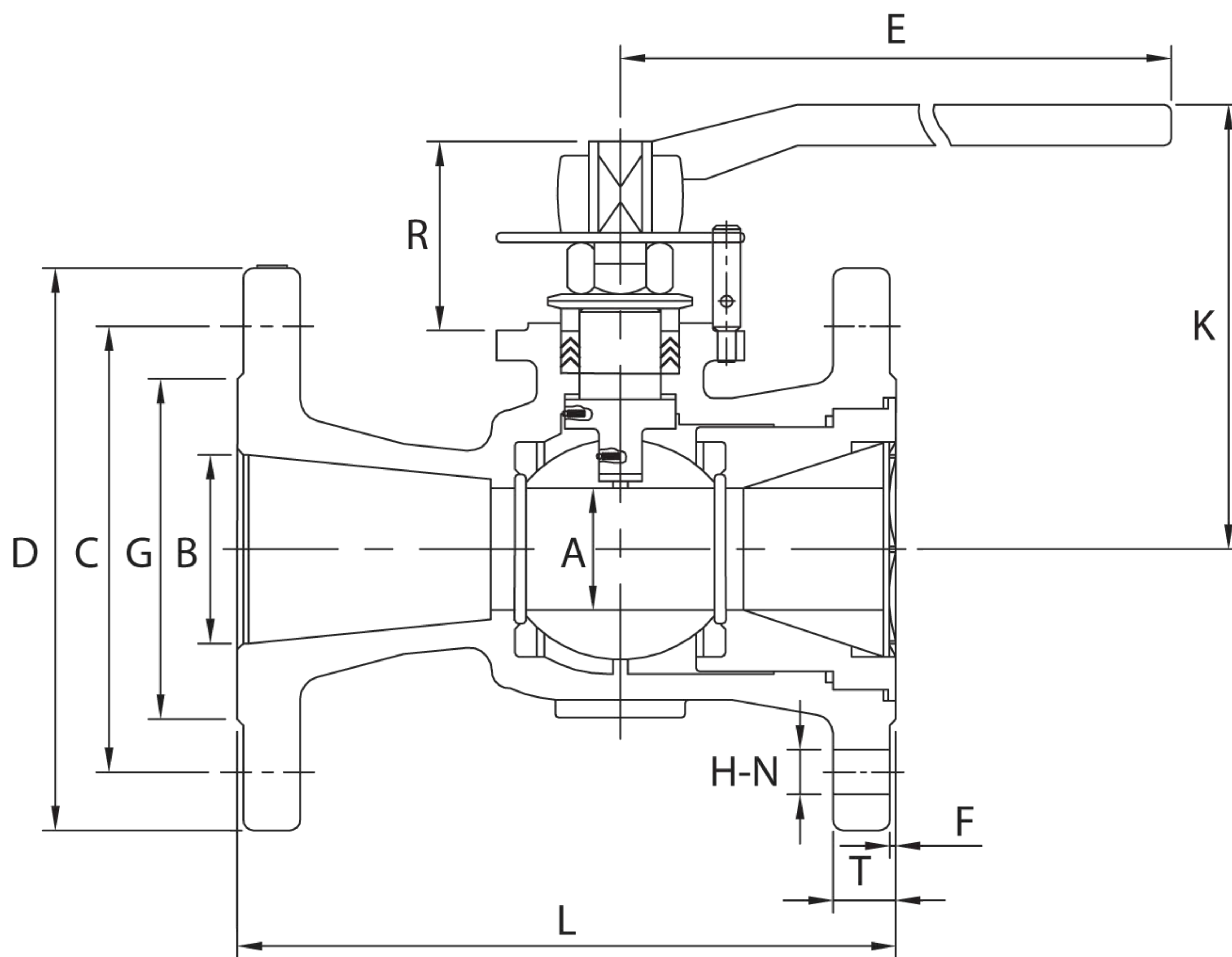
- ❖ Design conformed to ANSI B16.34
- ❖ Blowout-proof stem
- ❖ API 607 5<sup>th</sup> Edition fire-safe test approved
- ❖ Materials complied with NACE MR0175
- ❖ Mounting pad to actuator complied with ISO 5211
- ❖ Anti-static design
- ❖ Also available with LCC body (TR-1F-LC-150)

### Material list

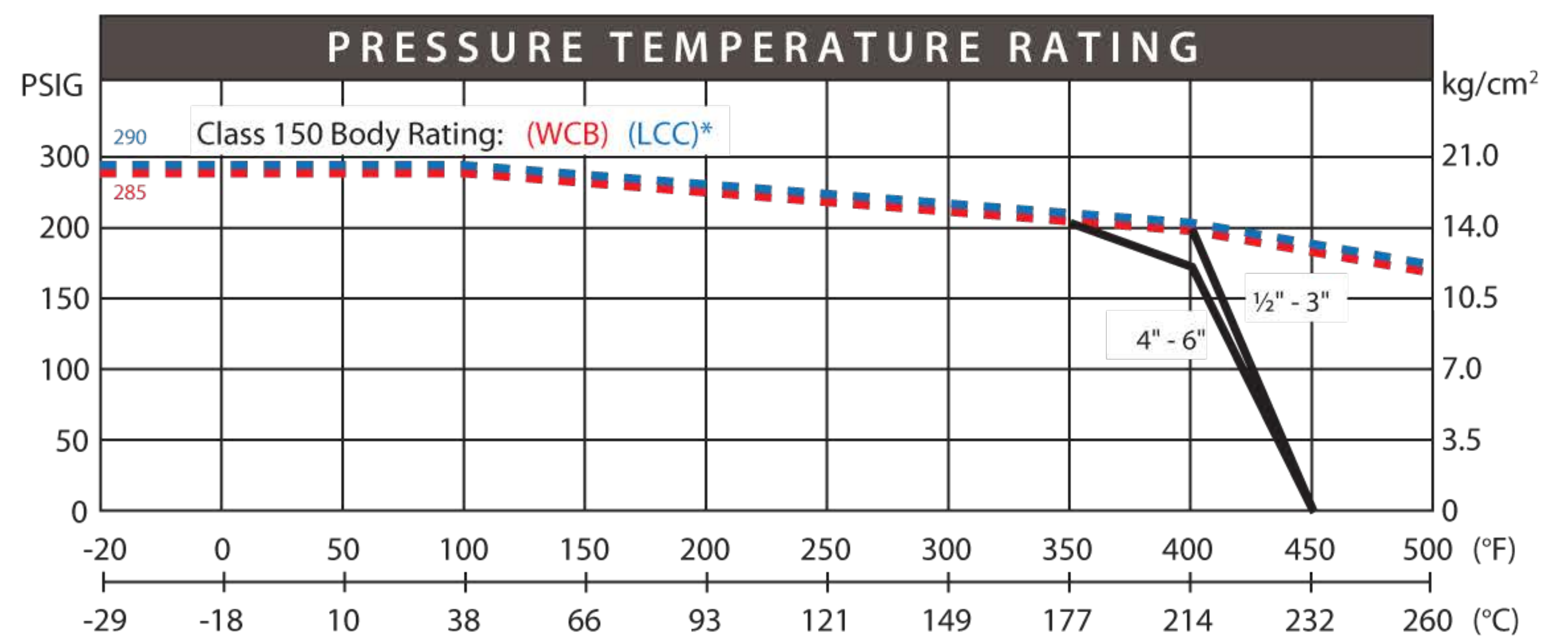
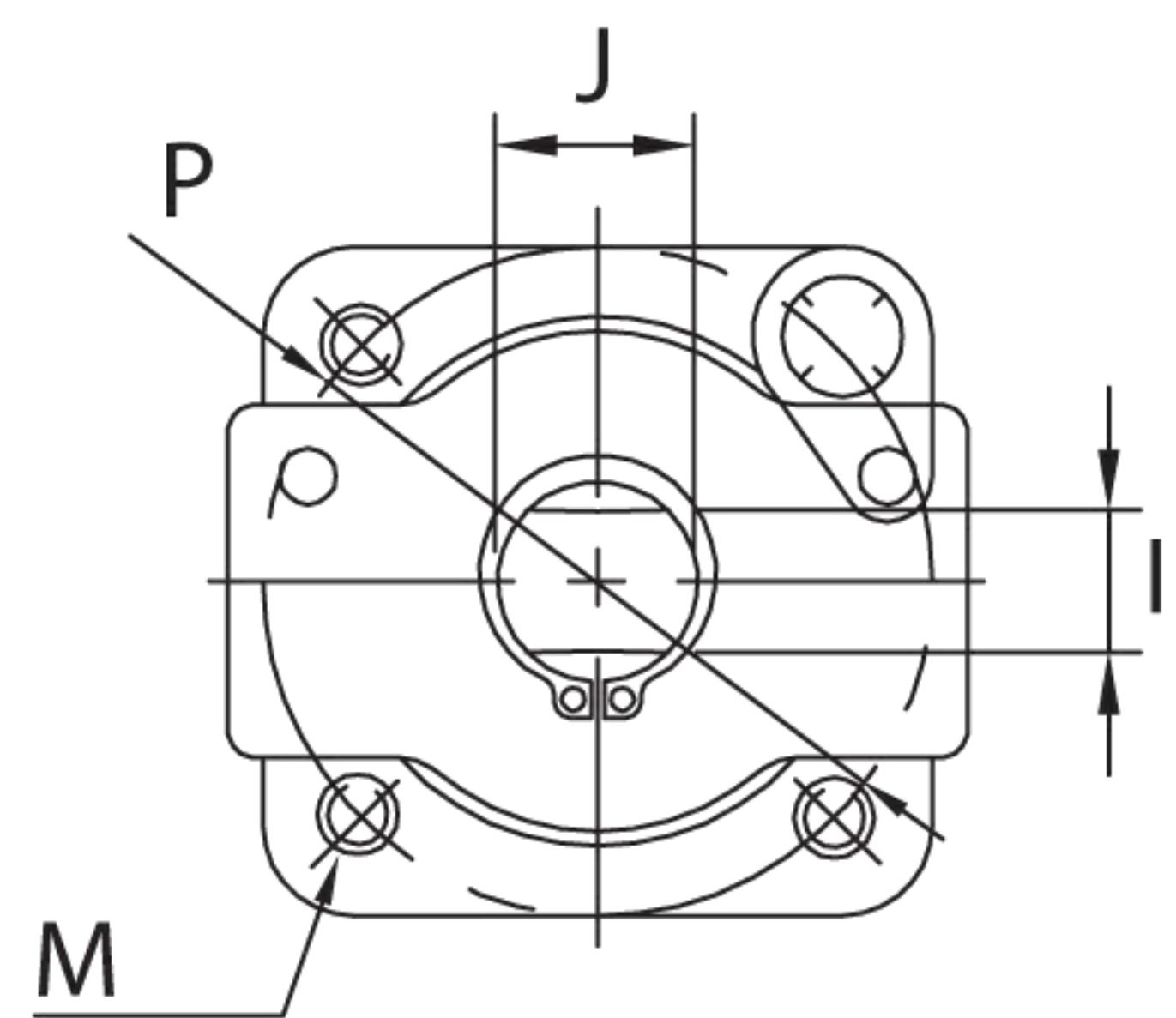
No.	Part name	Material	Qty	Remarks
1	Screw	Carbon steel plated	1	
2	Handle	Ductile iron	1	
3	Retaining ring	Carbon steel	1	
4	Stopper plate	Stainless steel 304 / A276	1	
5	Gland nut	Carbon steel	1	
6	Lock washer	Stainless steel 304 / A276	1	
7	Belleville washer	Stainless steel 301	2	
8	Gland	Stainless steel 304 / A276	1	
9	Packing	Graphite	1 set	Optional material: PTFE in non fire-safe model
10	Body	A216 Gr. WCB	1	Optional material: A352 Gr. LCC
11	Thrust washer	Reinforced Teflon 15% GFT	1	
12	Stem	Stainless steel 316 / A276	1	
13	Anti-static device	Stainless steel 304 / A276	2 sets	
14	Seat	PTFE (TFM-1600)	2	
15	Body seal	Graphite	1	Optional material: PTFE in non fire-safe model
16	Body insert	A216 Gr. WCB	1	Optional material: A352 Gr. LCC
17	Ball	Stainless steel A351 Gr. CF8M	1	
18	Stem washer	Stainless steel 304 / A276	1	
19	Lock plate	Stainless steel 304 / A276	1	
20	Stopper pin	Stainless steel 304 / A276	1	

**T Series Class 150  
 1-pc reduced port  
 CS ball valve**

**TR-1F-CS-150,  
 TR-1F-LC-150**



**BODY MARKING**



\* LCC body rated to -50°F/-46°C

**DIMENSIONS**

size (mm/in)	A	B	C	D	E	F	G	H	I	J	K	L	M	N	P	T	R	ISO 5211 flange
2"	38	50	120.5	152	230	1.6	92	19	14	20	121	178	5/16" UNC	4	70	15.9	49	F07
	1.50	1.97	4.75	5.98	9.06	0.06	3.62	0.75	0.55	0.79	4.76	7.00			2.76	0.63	1.93	
3"	58	76	152.5	190	350	1.6	127	19	17	25	162.5	203	3/8" UNC	4	102	19.1	59	F10
	2.28	3.00	6.00	7.48	13.78	0.06	5.00	0.75	0.67	0.98	6.40	8.00			4.02	0.75	2.32	
4"	76	102	190.5	229	460	1.6	157	19	17	25	176.5	229	3/8" UNC	8	102	23.9	59	F10
	3.00	4.02	7.50	9.02	18.11	0.06	6.18	0.75	0.67	0.98	6.95	9.02			4.02	0.94	2.32	
6"	114	152	241.5	279	750	1.6	216	22	23	34	238.5	267	1/2" UNC	8	125	25.4	73	F12
	4.49	5.98	9.50	10.98	29.53	0.06	8.50	0.88	0.91	1.34	9.39	10.51			4.92	1.00	2.87	