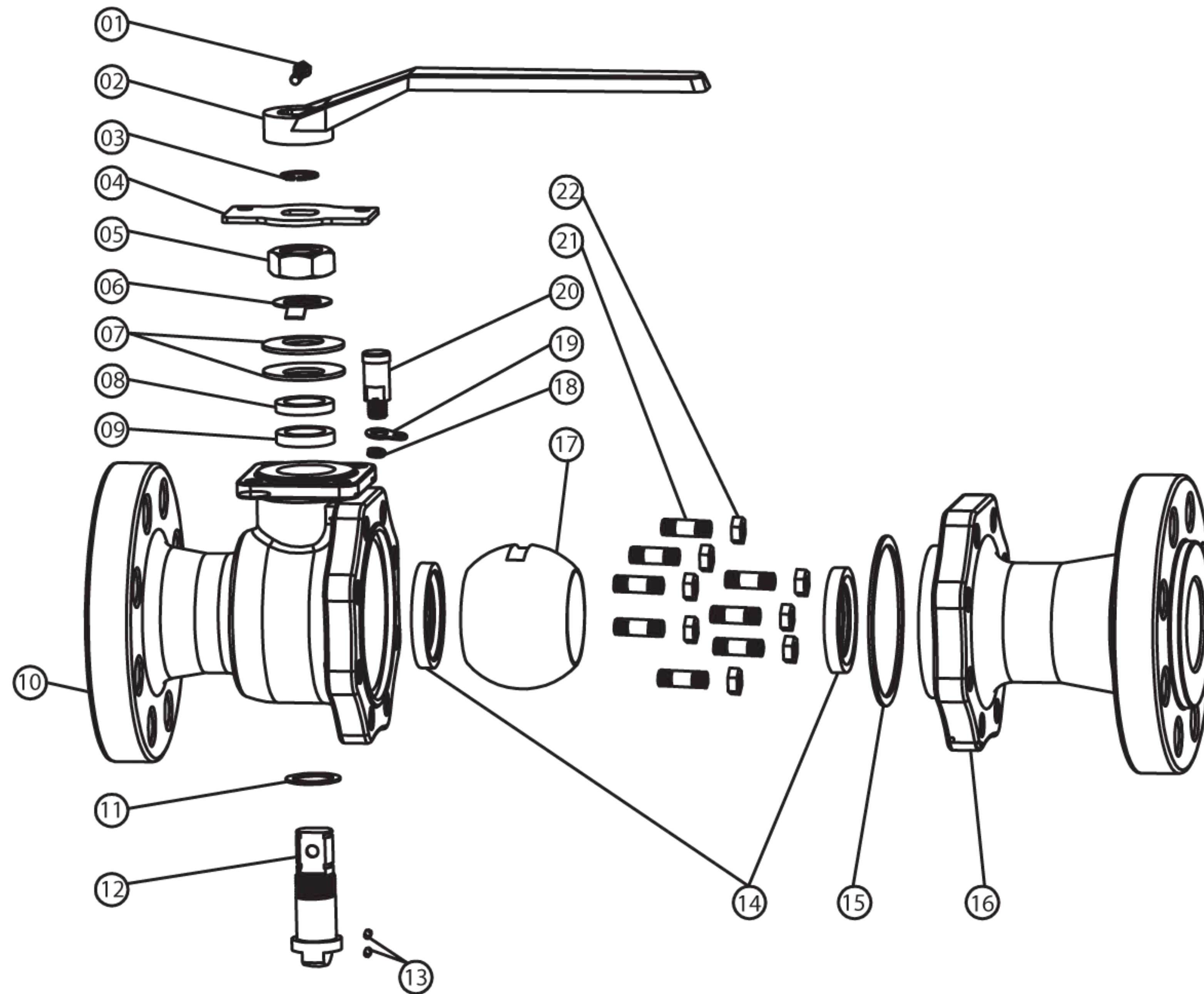


T Series Class 600 2-pc full port CS ball valve

TF-2F-CS-600, TF-2F-LC-600



Specification

- ❖ Size range: 2", 3", 4" and 6"
- ❖ Rating: Class 600
- ❖ Construction: Two-piece body, with floating ball design
- ❖ Flow bore: Full port

Product features

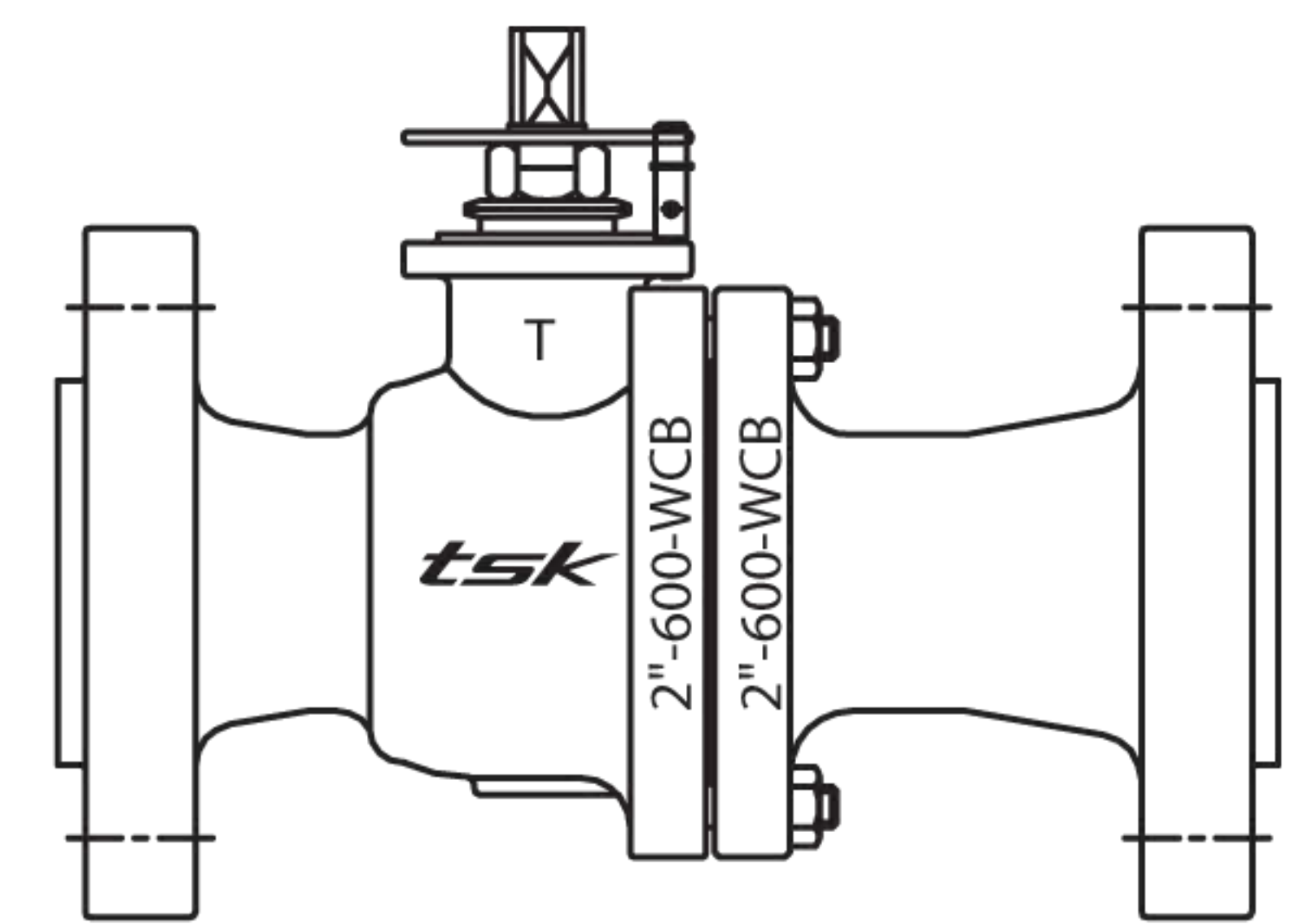
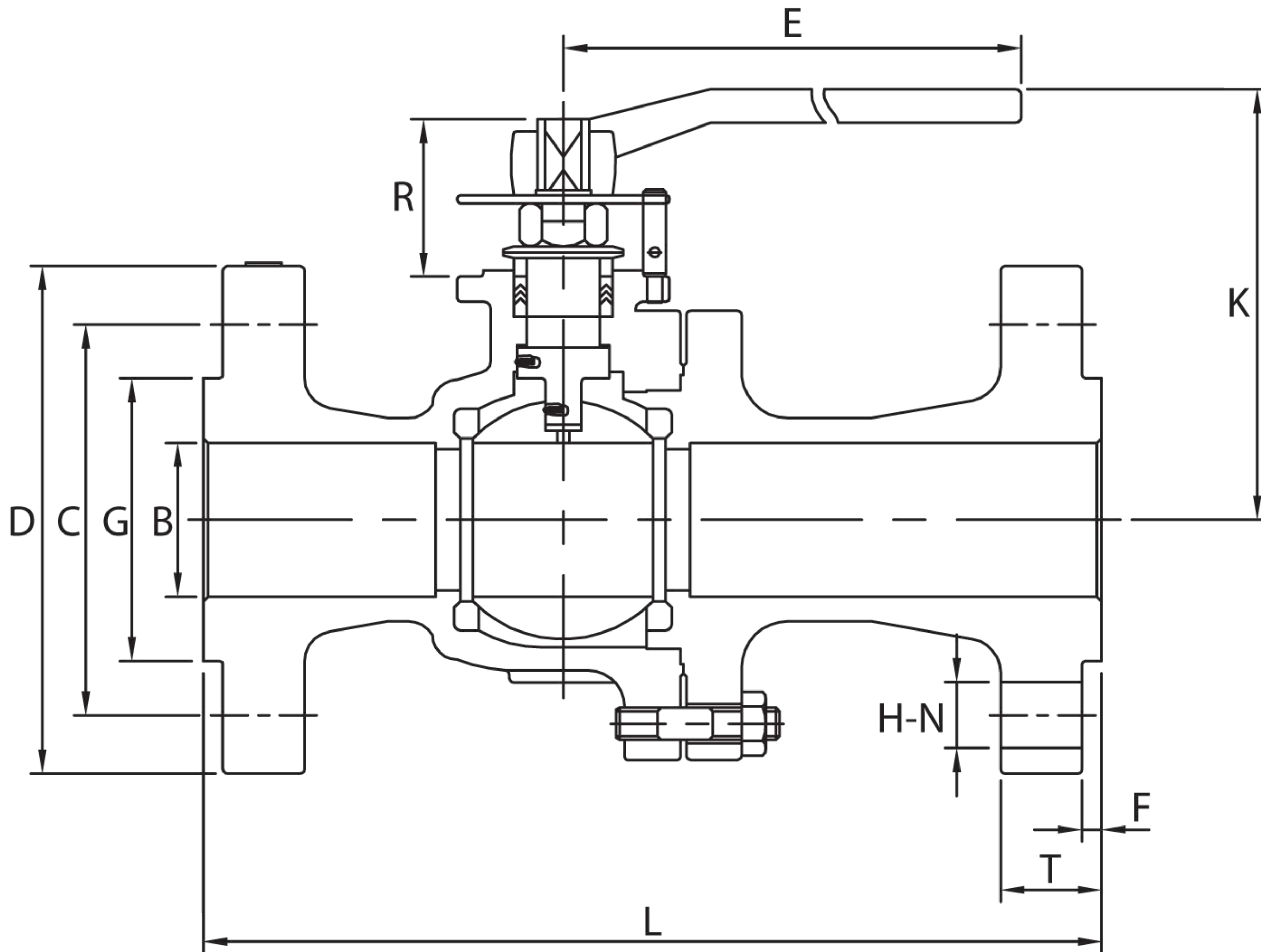
- ❖ Design conformed to ANSI B16.34
- ❖ Blowout-proof stem
- ❖ API 607 5th Edition fire-safe test approved
- ❖ Materials complied with NACE MR0175
- ❖ Mounting pad to actuator complied with ISO 5211
- ❖ Anti-static design
- ❖ Also available with LCC body (TF-2F-LC-600)

Material list

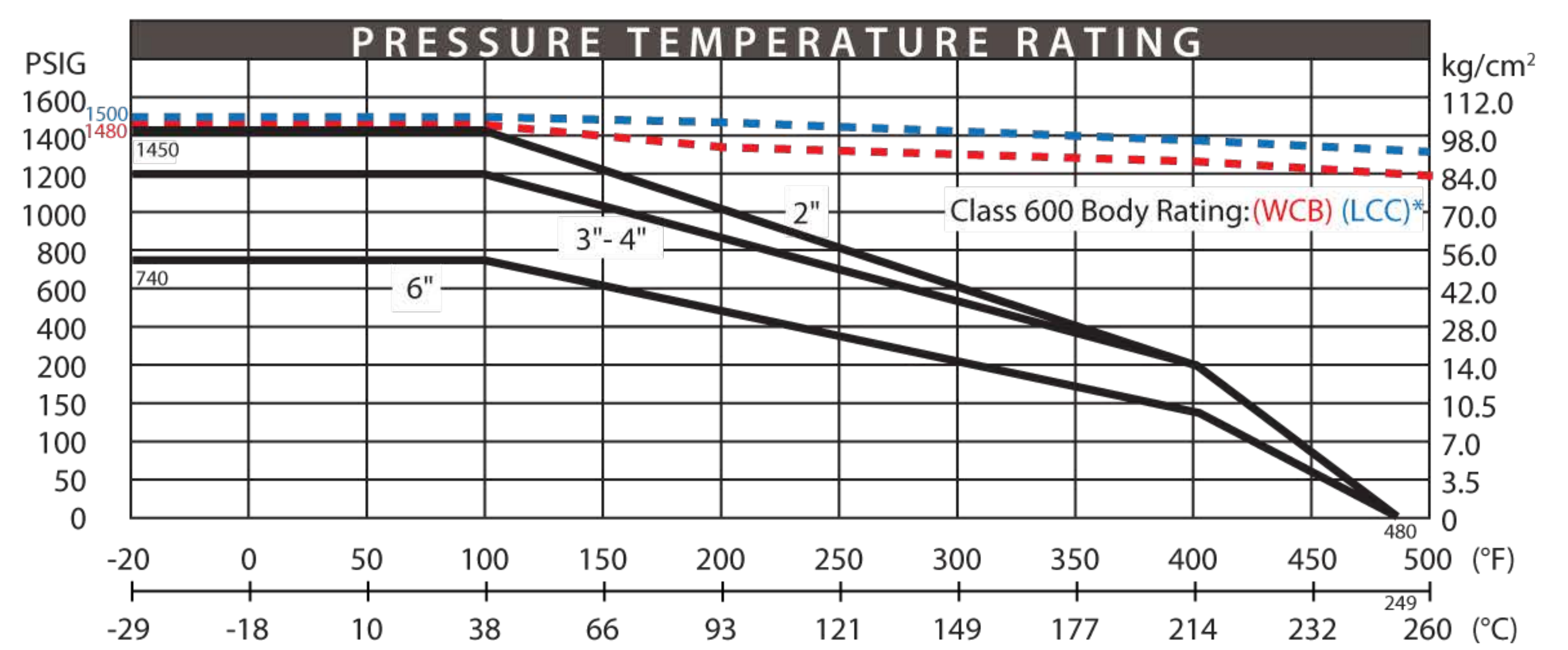
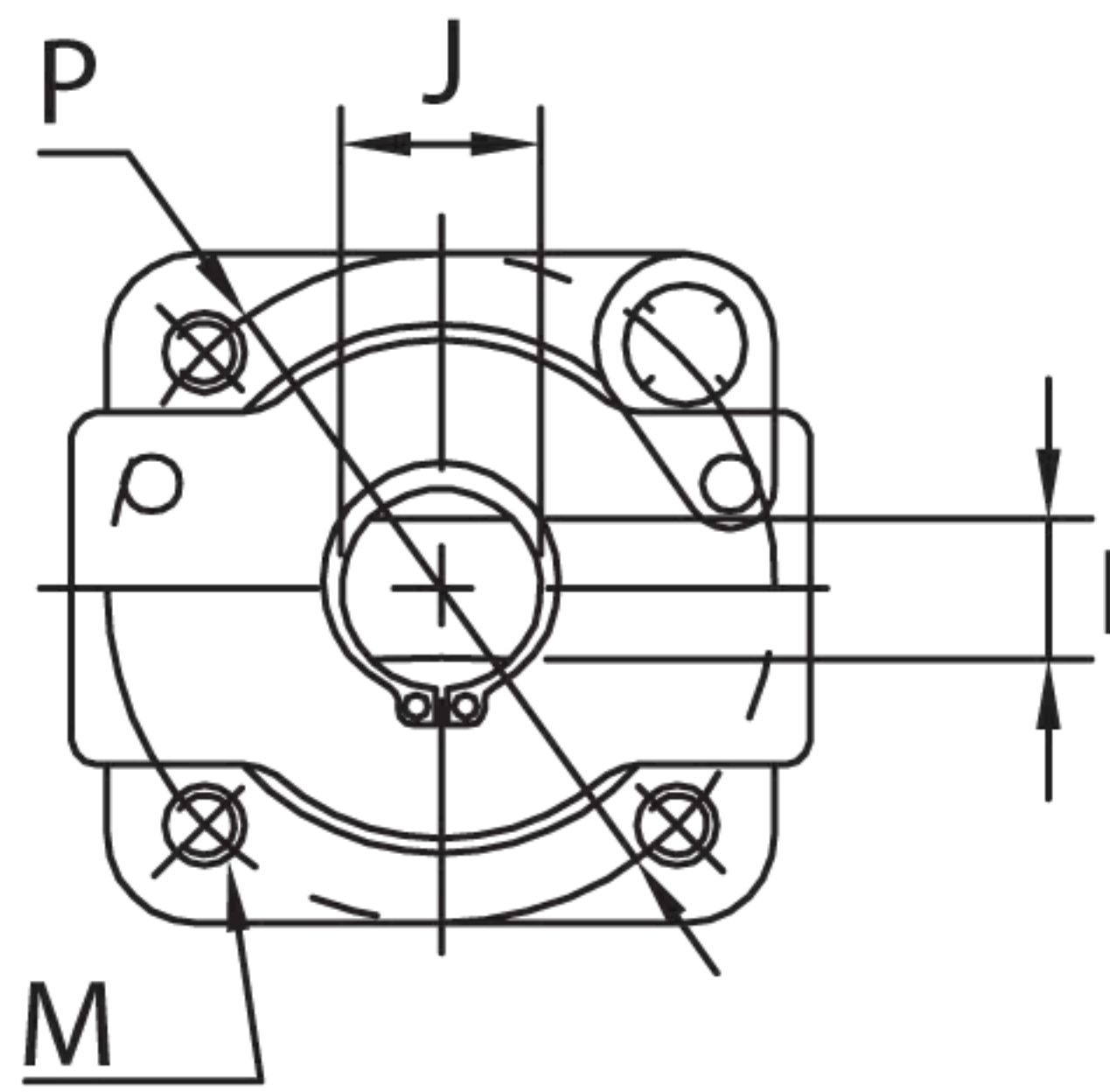
No.	Part name	Material	Qty	Remarks
1	Screw	Carbon steel plated	1	
2	Handle	Ductile iron	1	
3	Retaining ring	Carbon steel	1	
4	Stopper plate	Stainless steel 304 / A276	1	
5	Gland nut	Carbon steel	1	
6	Lock washer	Stainless steel 304 / A276	1	
7	Belleville washer	Stainless steel 301	2	
8	Gland	Stainless steel 304 / A276	1	
9	Packing	Graphite	1 set	Optional material: PTFE in non fire-safe model
10	Body	A216 Gr. WCB	1	Optional material: A352 Gr. LCC
11	Thrust washer	Reinforced Teflon 15% GFT	1	
12	Stem	Stainless steel 316 / A276	1	
13	Anti-static device	Stainless steel 304 / A276	2 sets	
14	Seat	PTFE + 25% Carbon	2	
15	Body seal	304 + Graphite	1	
16	Cap	A216 Gr. WCB	1	Optional material: A352 Gr. LCC
17	Ball	Stainless steel A351 Gr. CF8M	1	
18	Stem washer	Stainless steel 304 / A276	1	
19	Lock plate	Stainless steel 304 / A276	1	
20	Stopper pin	Stainless steel 304 / A276	1	
21	Stud bolt	A193 Gr. B7M	1 set	Optional material: A320 Gr. L7M
22	Bolt nut	A194 Gr. 2HM	1 set	Optional material: A194 Gr. 7M

T Series Class 600
2-pc full port
CS ball valve

TF-2F-CS-600,
TF-2F-LC-600



BODY MARKING



* LCC body rated to -50°F/-46°C

DIMENSIONS

size (mm/in)	B	C	D	E	F	G	H	I	J	K	L	M	N	P	T	R	ISO 5211 flange
2"	50	127	165	350	6.35	92	19	14	20	129.5	292	5/16" UNC	8	70	31.8	49	F07
	1.97	5.00	6.50	13.78	0.25	3.62	0.75	0.55	0.79	5.10	11.50			2.76	1.25	1.93	
3"	76	168	210	400	6.35	127	22.3	17	25	177	356	3/8" UNC	8	102	38.1	61	F10
	3.00	6.61	8.27	15.75	0.25	5.00	0.88	0.67	0.98	6.97	14.02			4.02	1.50	2.40	
4"	100	216	273	460	6.35	157	25.4	17	25	193.0	432	3/8" UNC	8	102	44.5	61	F10
	3.94	8.50	10.75	18.11	0.25	6.18	1.00	0.67	0.98	7.60	17.00			4.02	1.75	2.40	
6"	150	292	356	1000	6.35	216	28.5	25	36	274.0	559	3/8" UNC	12	140	54.1	90	F14
	5.91	11.50	14.02	39.37	0.25	8.50	1.12	0.98	1.42	10.79	22.00			5.51	2.13	3.54	