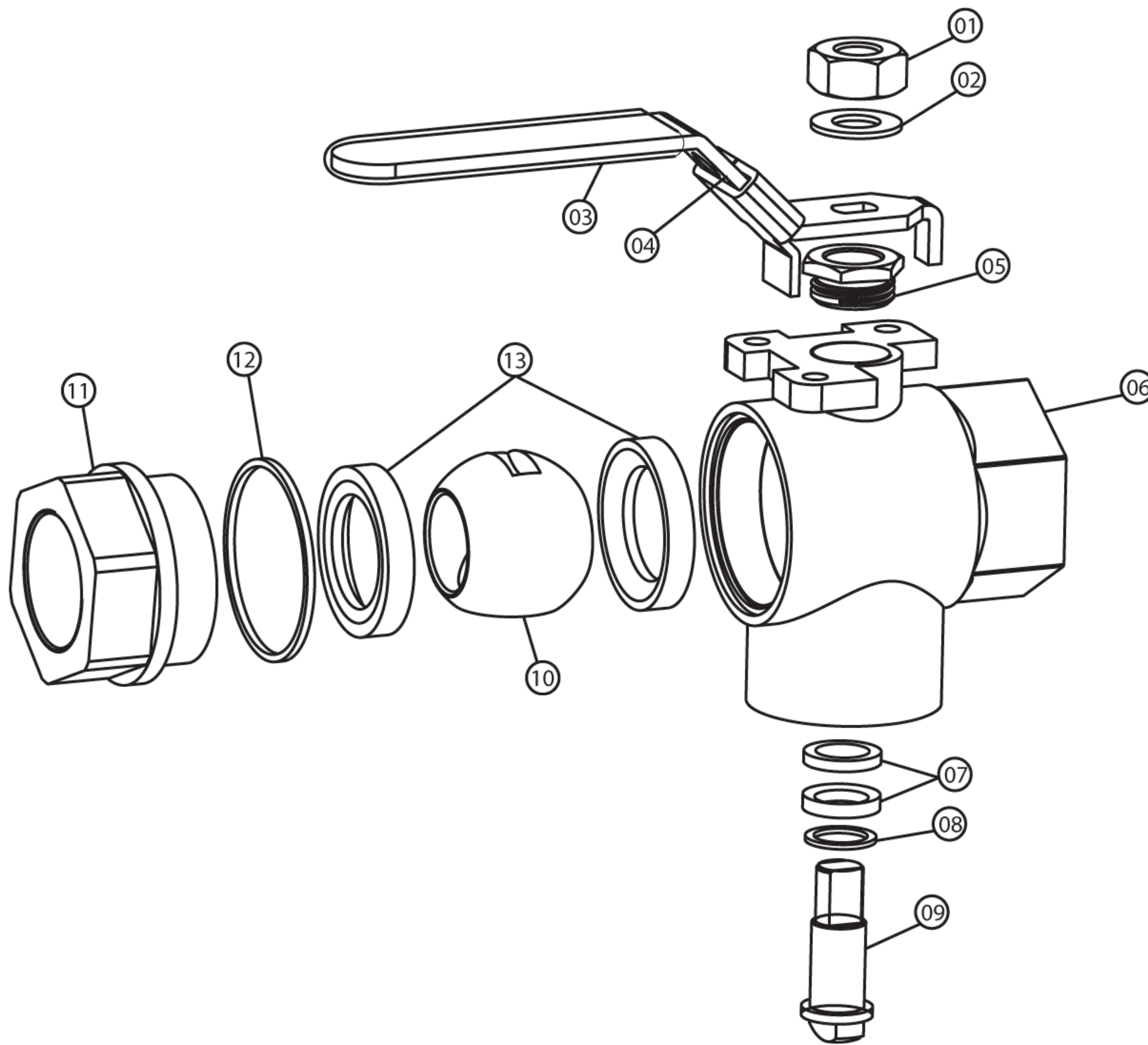


S Series 1000 WOG 2-pc 3-way reduced port SS ball valve – vertical

SR-2T-V



Specification

- Size range: ¼"~2"
- Rating: 1000 psi WOG
- Construction:
 - Three-way L-port or T-port, with two-piece body
 - Inlet in vertical position
- Flow bore: Reduced port

Product features

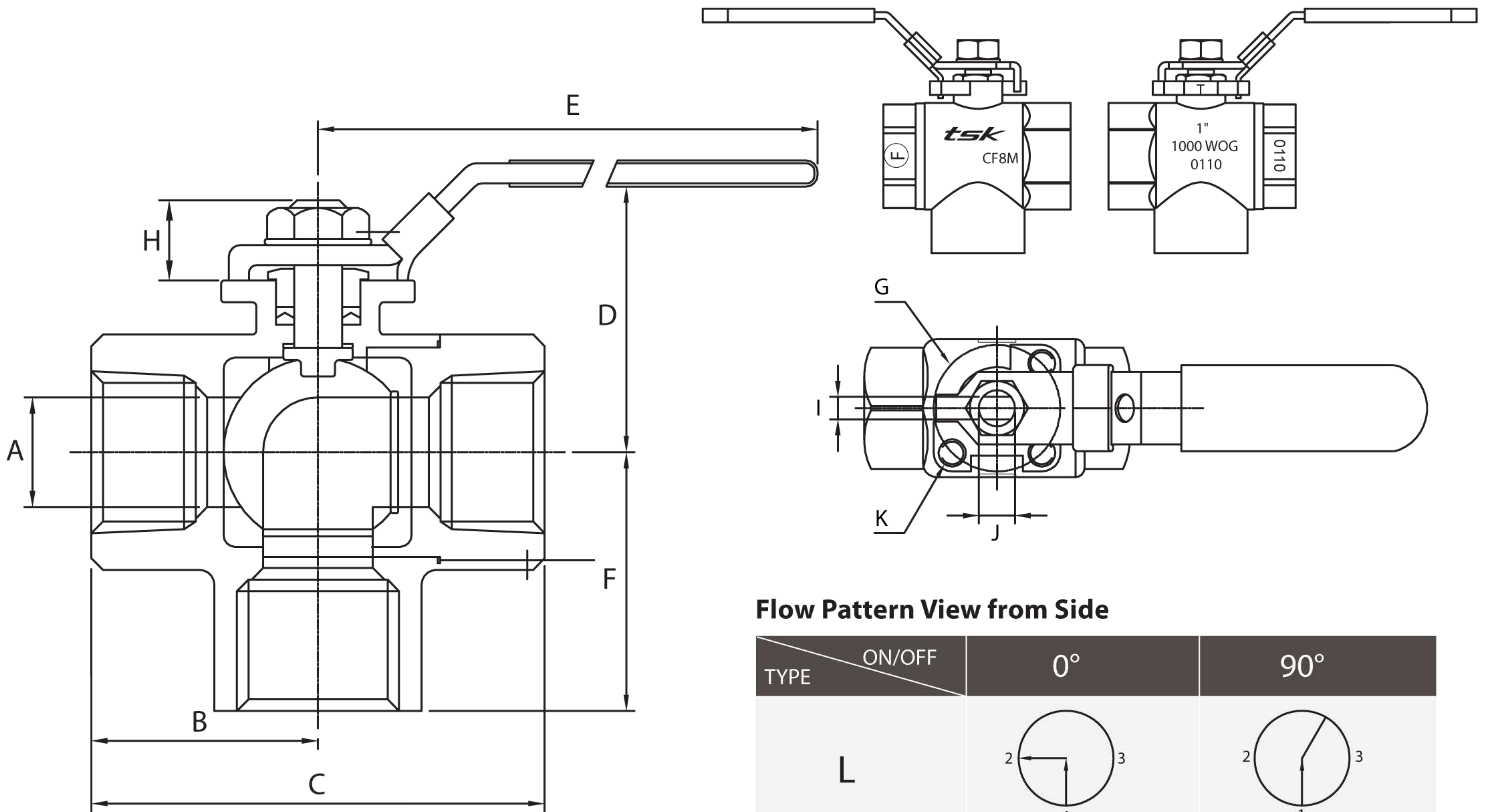
- NPT connection according to ANSI B1.20.1
- Blowout-proof stem
- Mounting pad to actuator complied with ISO 5211
- Adjustable packing gland
- Locking lever handle

Material list

No.	Part name	Material	Qty	Remarks
1	Handle nut	Stainless steel 304 / A276	1	
2	Stem washer	Stainless steel 304 / A276	1	
3	Handle grip	Vinyl	1	
4	Handle	Stainless steel 304 / A276	1	
5	Gland nut	Stainless steel 304 / A276	1	
6	Body	Stainless steel A351 Gr. CF8M	1	
7	Packing	PTFE	1	
8	Thrust washer	Reinforced Teflon 15% GFT	1	
9	Stem	Stainless steel 316 / A276	1	
10	Ball	Stainless steel A351 Gr. CF8M	1	
11	Cap	Stainless steel A351 Gr. CF8M	1	
12	Gasket	PTFE	1	
13	Seat	Reinforced Teflon 15% GFT	2	

S Series 1000 WOG
2-pc 3-way reduced port
SS ball valve – vertical

SR-2T-V



Flow Pattern View from Side

TYPE \ ON/OFF	0°	90°
L		
T		

Notes:

1. Position "1" means the inlet of flow.
2. The flow path pressure must exceed any closed port pressure.

DIMENSIONS								
size	8	10	15	20	25	32	40	50
mm/in	¼	⅜	½	¾	1	1 ¼	1 ½	2
A	11.10	12.70	12.70	17.30	20.60	25.40	31.80	38.10
mm/in	0.44	0.50	0.50	0.68	0.81	1.00	1.25	1.50
B	29.35	29.35	29.35	38.10	40.75	51.00	55.50	68.50
mm/in	1.16	1.16	1.16	1.50	1.60	2.01	2.19	2.70
C	58.70	58.70	58.70	76.20	82.00	102.00	111.00	137.00
mm/in	2.31	2.31	2.31	3.00	3.23	4.02	4.37	5.39
D	50.80	50.80	50.80	58.50	62.35	74.10	78.85	94.20
mm/in	2.00	2.00	2.00	2.29	2.46	2.92	3.10	3.71
E	100.00	100.00	100.00	130.00	130.00	155.00	155.00	175.00
mm/in	3.94	3.94	3.94	5.12	5.12	6.10	6.10	6.89
F	30.00	30.00	30.00	38.10	42.67	51.00	61.00	71.37
mm/in	1.18	1.18	1.18	1.50	1.68	2.01	2.40	2.81
G	36.00	36.00	36.00	36.00	42.00	50.00	50.00	50.00
mm/in	1.42	1.42	1.42	1.42	1.65	1.97	1.97	1.97
H	15.30	15.30	15.30	17.00	18.40	23.00	23.00	25.40
mm/in	0.60	0.60	0.60	0.67	0.72	0.91	0.91	1.00
I	5.45	5.45	5.45	6.45	6.45	8.00	8.00	10.00
mm/in	0.22	0.22	0.22	0.25	0.25	0.32	0.32	0.39
J	7.70	7.70	7.70	9.30	9.30	12.50	12.50	15.50
mm/in	0.30	0.30	0.30	0.37	0.37	0.49	0.49	0.61
K	M6 x 1.0	M6 x 1.0	M6 x 1.0	M6 x 1.0	M6 x 1.0	M8 x 1.25	M8 x 1.25	M8 x 1.25

