

## S Series Class 300 1-pc reduced port SS ball valve

# SR-1F-300

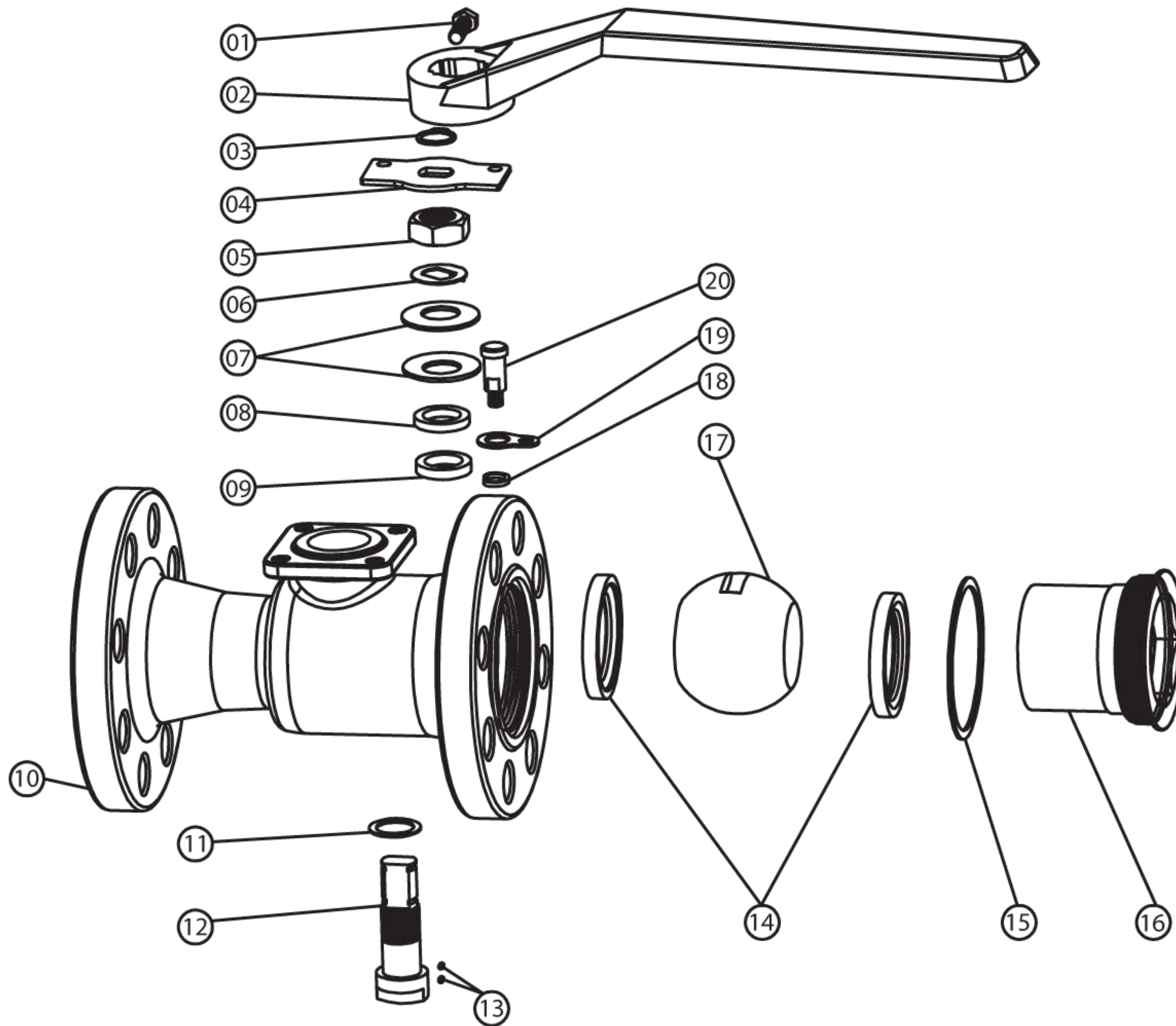


### Specification

- ❖ Size range: 2", 3", 4" and 6"
- ❖ Rating: Class 300
- ❖ Construction: One-piece body, with floating ball design
- ❖ Flow bore: Reduced port

### Product features

- ❖ Design conformed to ANSI B16.34
- ❖ Blowout-proof stem
- ❖ API 607 5<sup>th</sup> Edition fire-safe test approved
- ❖ Materials complied with NACE MR0175
- ❖ Mounting pad to actuator complied with ISO 5211
- ❖ Anti-static design

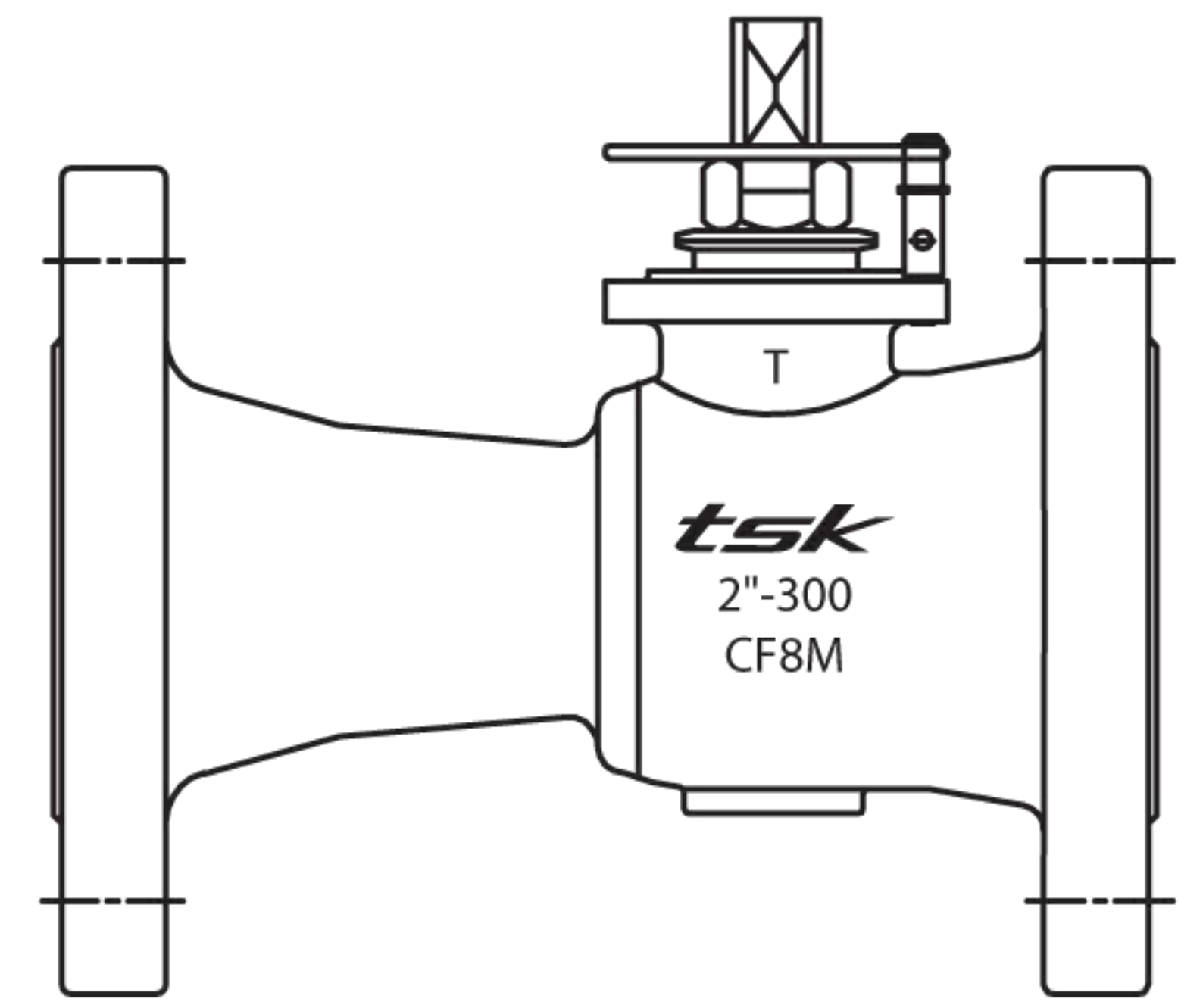
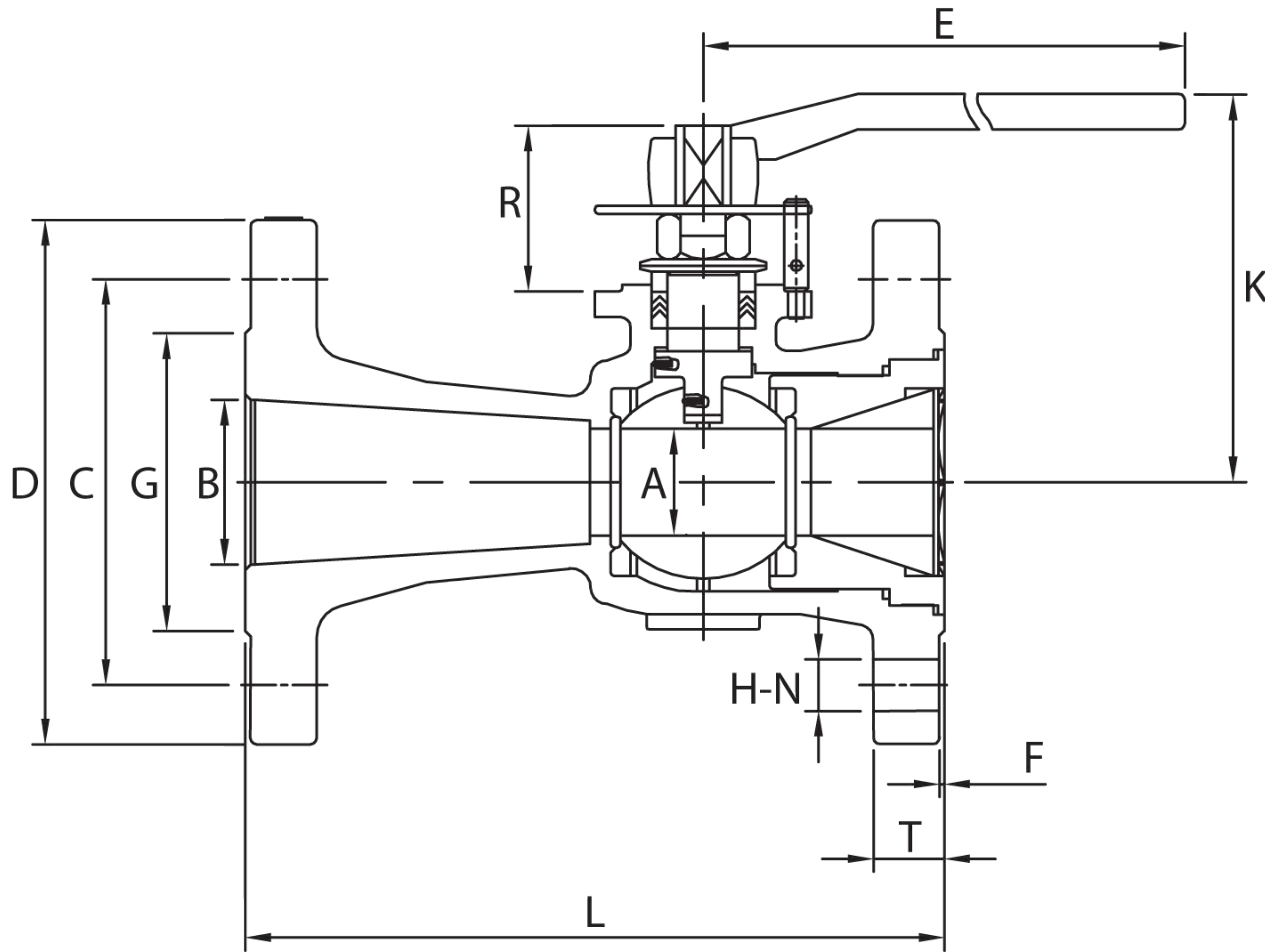


### Material list

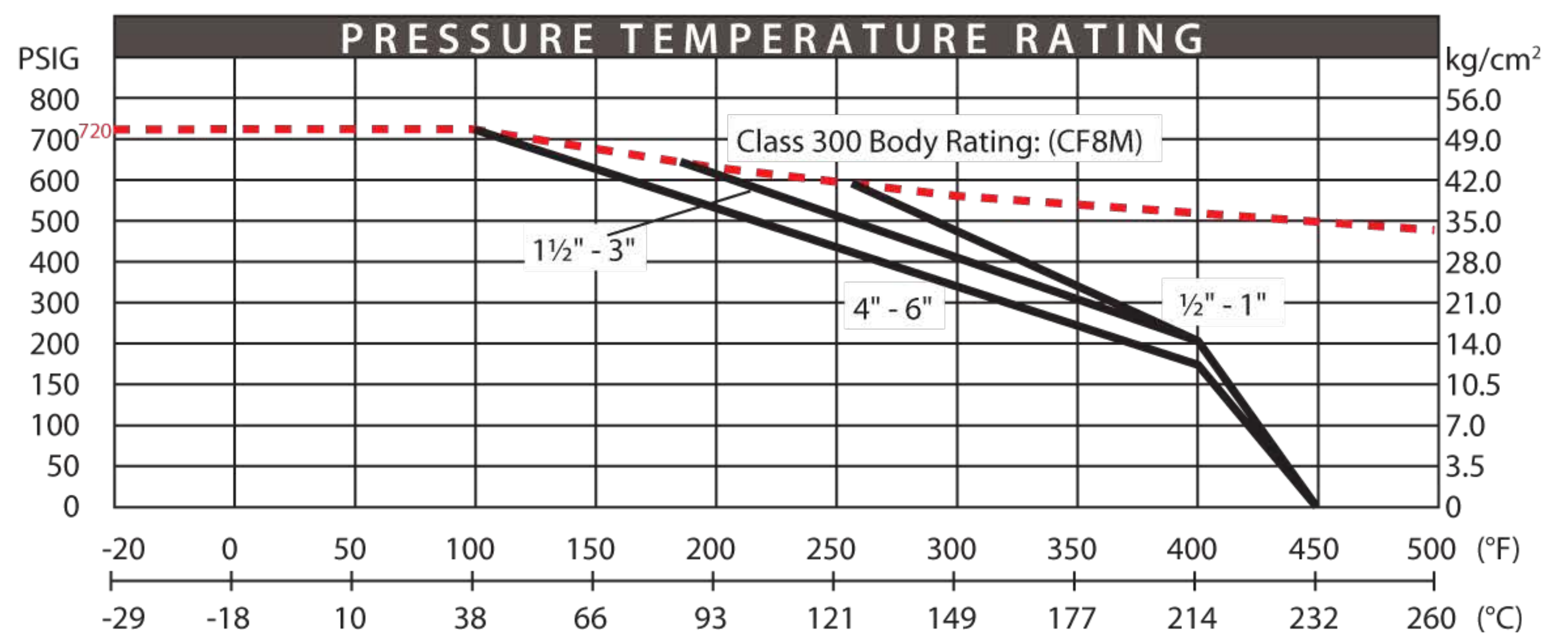
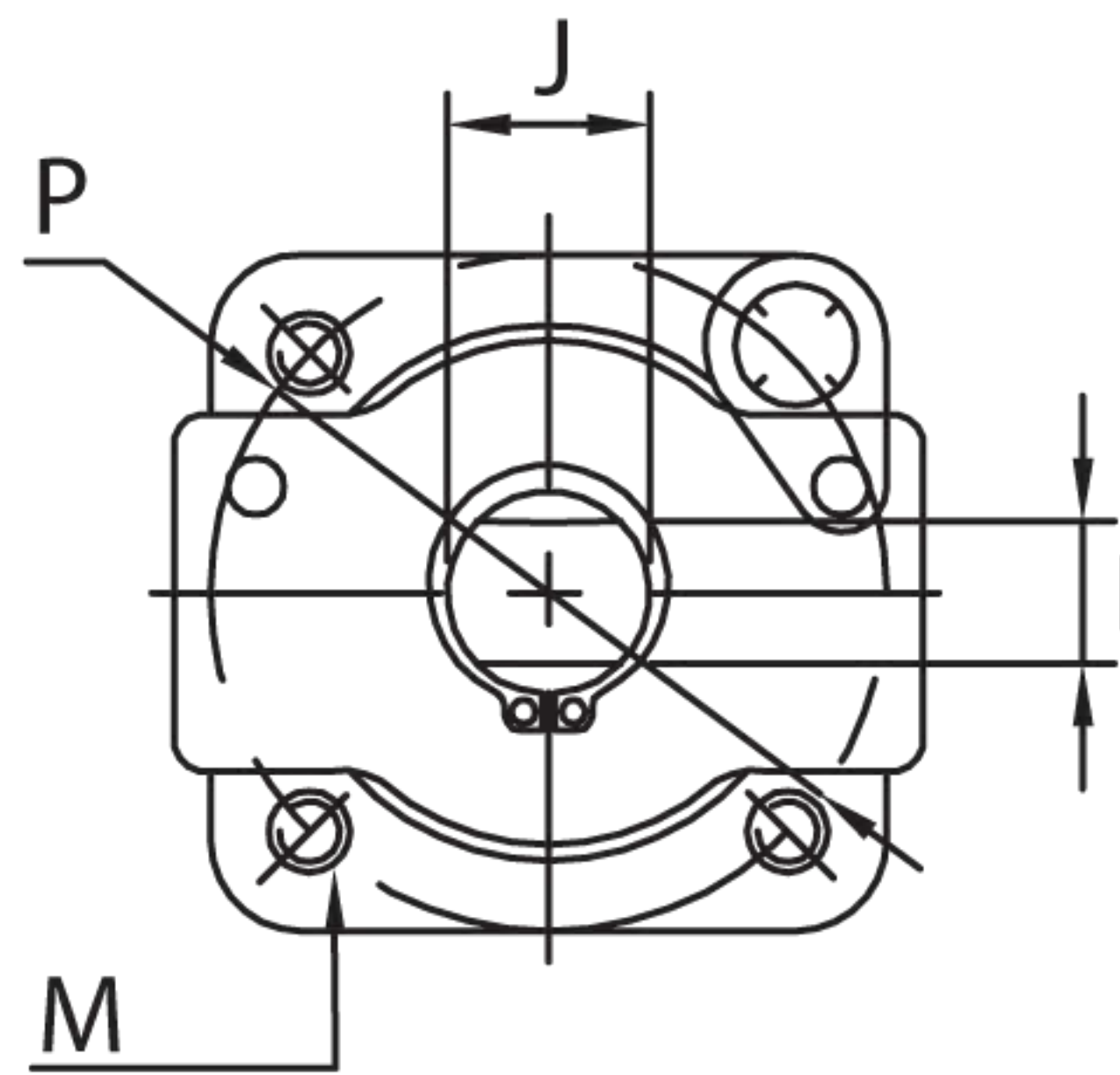
No.	Part name	Material	Qty	Remarks
1	Screw	Carbon steel plated	1	
2	Handle	Ductile iron	1	
3	Retaining ring	Carbon steel	1	
4	Stopper plate	Stainless steel 304 / A276	1	
5	Gland nut	Stainless steel 304 / A276	1	
6	Lock washer	Stainless steel 304 / A276	1	
7	Belleville washer	Stainless steel 301	2	
8	Gland	Stainless steel 304 / A276	1	
9	Packing	Graphite	1 set	Optional material: PTFE in non fire-safe model
10	Body	Stainless steel A351 Gr. CF8M	1	
11	Thrust washer	Reinforced Teflon 15% GFT	1	
12	Stem	Stainless steel 316 / A276	1	
13	Anti-static device	Stainless steel 304 / A276	2 sets	
14	Seat	PTFE (TFM-1600)	2	
15	Body seal	Graphite	1	Optional material: PTFE in non fire-safe model
16	Body insert	Stainless steel A351 Gr. CF8M	1	
17	Ball	Stainless steel A351 Gr. CF8M	1	
18	Stem washer	Stainless steel 304 / A276	1	
19	Lock plate	Stainless steel 304 / A276	1	
20	Stopper pin	Stainless steel 304 / A276	1	

**S Series Class 300  
 1-pc reduced port  
 SS ball valve**

**SR-1F-300**



BODY MARKING



**DIMENSIONS**

size (mm/in)	A	B	C	D	E	F	G	H	I	J	K	L	M	N	P	T	R	ISO 5211 flange
2"	38	50	127	165	230	1.6	92	19	14	20	125	216	5/8" UNC	8	70	22.3	49	F07
	1.50	1.97	5.00	6.50	9.06	0.06	3.62	0.75	0.55	0.79	4.92	8.50			2.76	0.88	1.93	
3"	58	76	168	210	350	1.6	127	22	17	25	168	283	3/8" UNC	8	70	28.5	59	F07
	2.28	3.00	6.61	8.27	13.78	0.06	5.00	0.88	0.67	0.98	6.61	11.14			2.76	1.12	2.32	
4"	76	102	200	254	460	1.6	157	22	17	25	183	305	3/8" UNC	8	70	31.8	59	F07
	3.00	4.02	7.87	10.00	18.11	0.06	6.18	0.88	0.67	0.98	7.20	12.00			2.76	1.25	2.32	
6"	114	152	270	318	750	1.6	216	22	23	34	245	403	1/2" UNC	12	125	36.6	73	F12
	4.49	5.98	10.63	12.52	29.53	0.06	8.50	0.88	0.91	1.34	9.65	15.87			4.92	1.44	2.87	