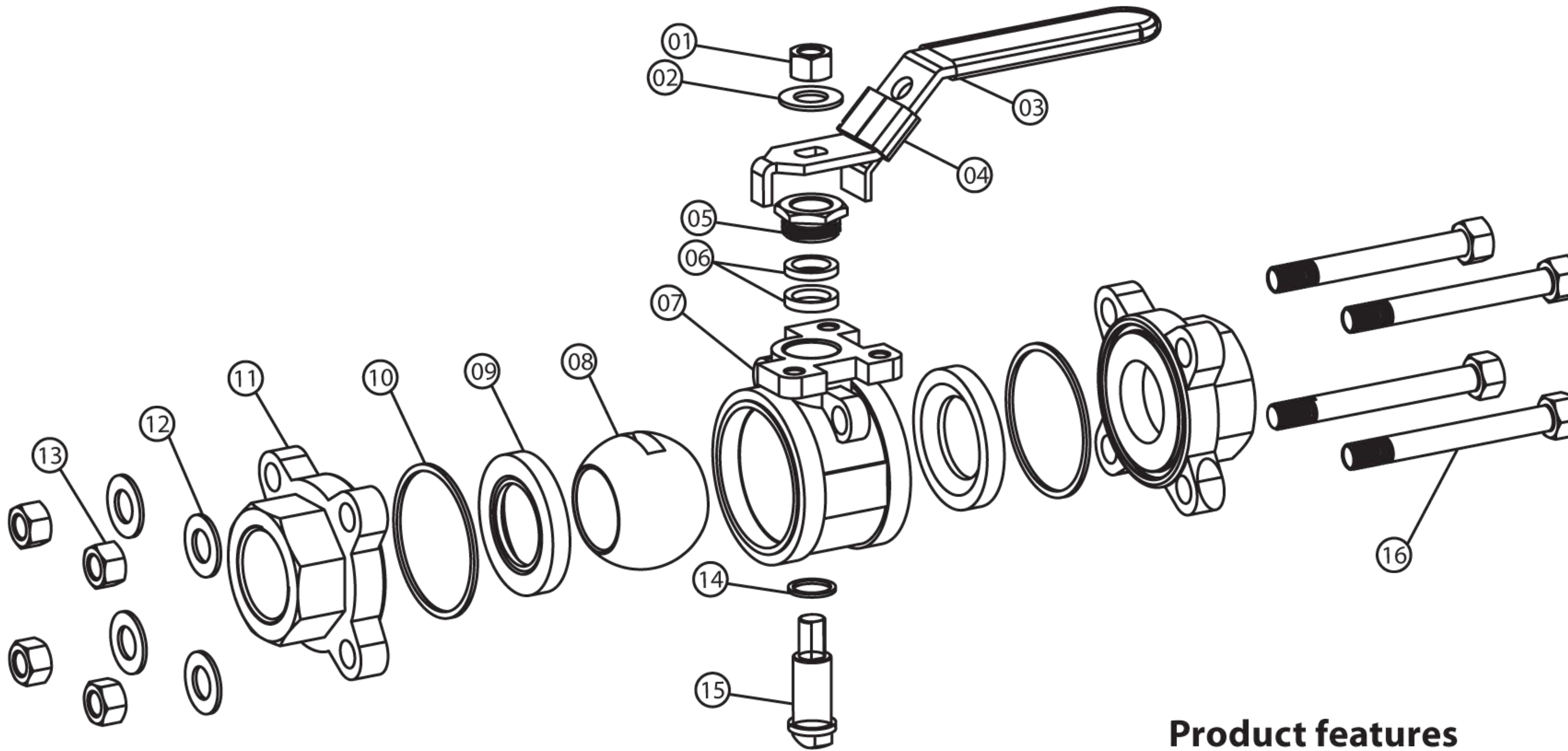


**S Series 2000 WOG
 3-pc full port
 SS ball valve**

**SF-3T, SF-3SW,
 SF-3BW**



Specification

- ✦ Size range: ¼"~3"
- ✦ Rating: 2000 psi WOG (¼"~1") / 1500 psi WOG (1¼"~3")
- ✦ Construction: Three-piece body, with floating ball design
- ✦ Flow bore: Full port
- ✦ End connection: NPT, SW and BW

Product features

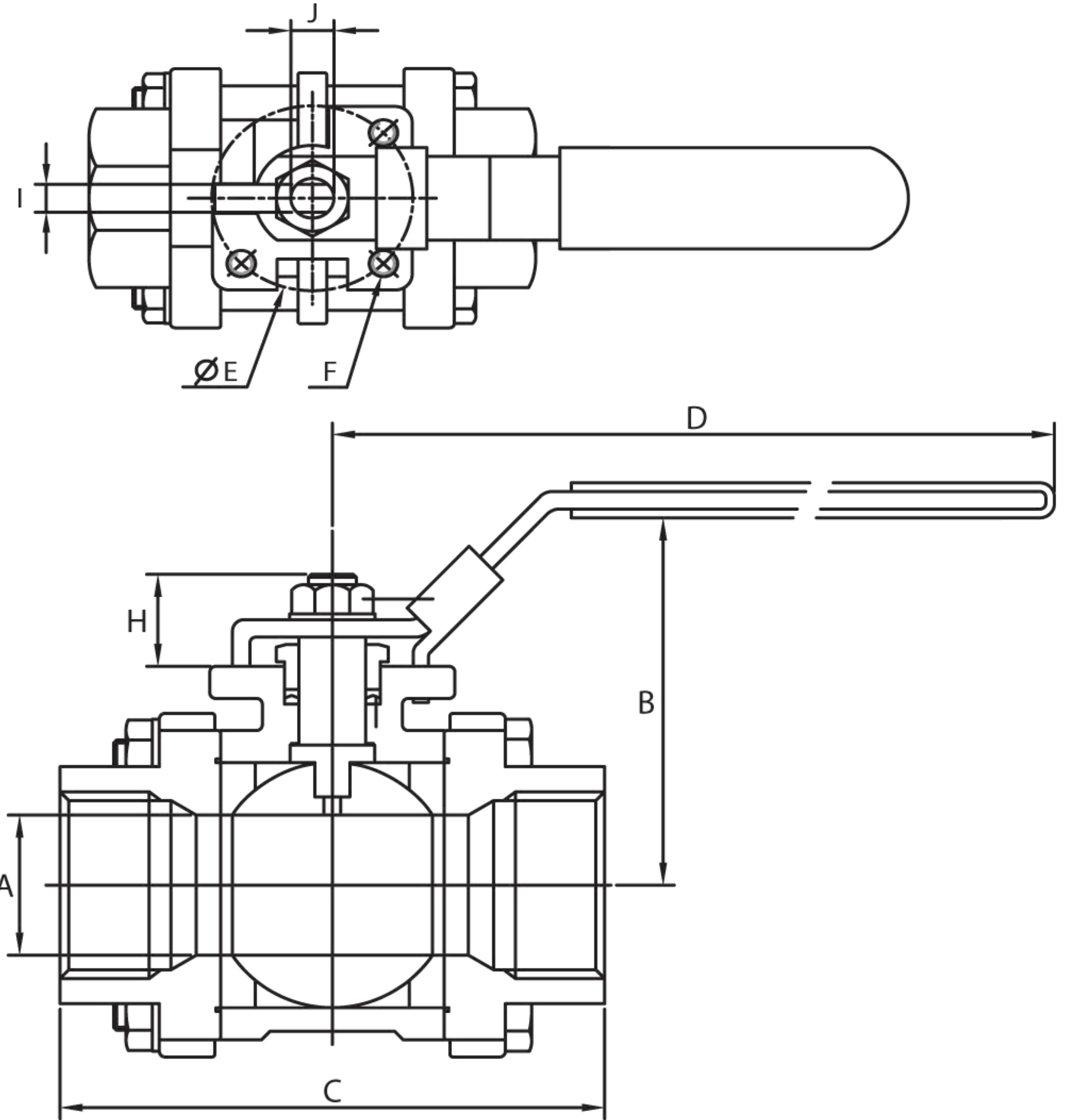
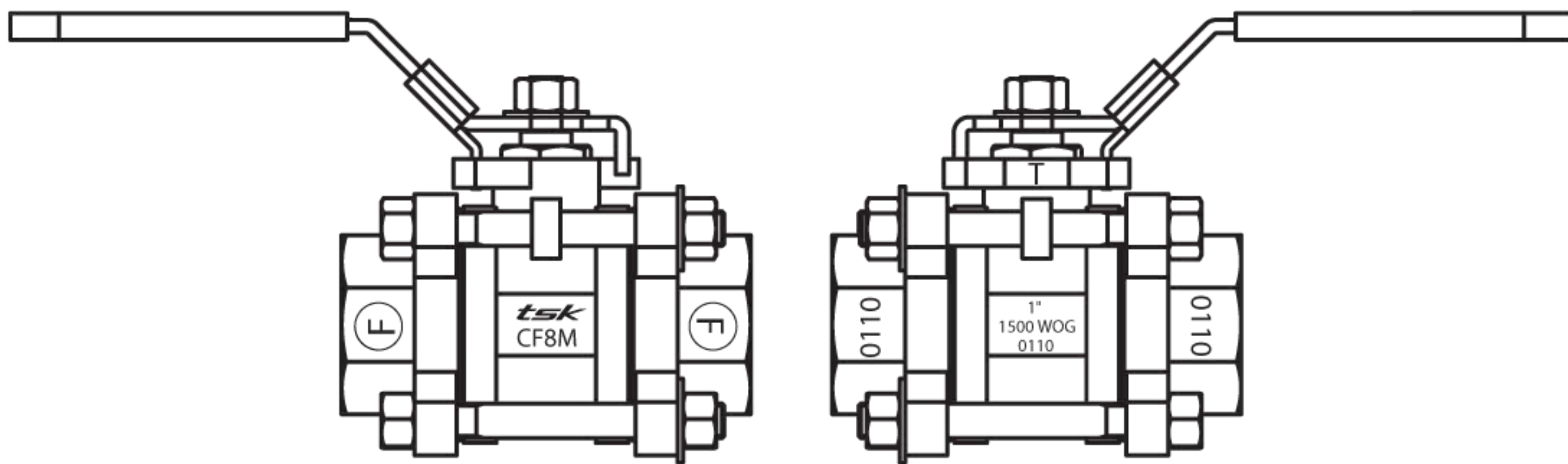
- ✦ NPT connection according to ANSI B1.20.1
- ✦ Blowout-proof stem
- ✦ Mounting pad to actuator complied with ISO 5211
- ✦ Adjustable packing gland
- ✦ Locking lever handle
- ✦ Socket welded connection according to ANSI B16.11
- ✦ Butt-weld end available at request

Material list

No.	Part name	Material	Qty	Remarks
1	Handle nut	Stainless steel 304 / A276	1	
2	Stem washer	Stainless steel 304 / A276	1	
3	Handle grip	Vinyl	1	
4	Handle	Stainless steel 304 / A276	1	
5	Gland nut	Stainless steel 304 / A276	1	
6	Packing	PTFE	1	
7	Body	Stainless steel A351 Gr. CF8M	1	
8	Ball	Stainless steel A351 Gr. CF8M	1	
9	Seat	Reinforced Teflon 15% GFT	2	
10	Gasket	PTFE	2	
11	Cap	Stainless steel A351 Gr. CF8M	2	Optional material: Gr. CF3M
12	Bolt washer	Stainless steel 304 / A276	4	
13	Hex nut	Stainless steel A194 Gr. 8	4	
14	Thrust washer	Reinforced Teflon 15% GFT	1	
15	Stem	Stainless steel 316 / A276	1	
16	Bolt	Stainless steel A193 Gr. B8	4	

S Series 2000 WOG
3-pc full port
SS ball valve

SF-3T, SF-3SW,
SF-3BW



Applicable to model SF-3T

DIMENSIONS										
size	8	10	15	20	25	32	40	50	65	80
mm/in	¼	⅜	½	¾	1	1¼	1½	2	2½	3
A	9.50	9.50	15.00	20.00	25.00	32.00	38.00	50.50	65.00	78.00
mm/in	0.374	0.374	0.591	0.787	0.984	1.260	1.496	1.988	2.559	3.071
B	67.00	67.00	68.50	75.00	79.00	88.50	94.50	107.00	129.50	139.50
mm/in	2.638	2.638	2.697	2.953	3.110	3.484	3.720	4.213	5.098	5.492
C	59.00	59.00	69.50	75.50	90.50	105.50	120.00	140.00	170.00	190.00
mm/in	2.323	2.323	2.736	2.972	3.563	4.154	4.724	5.512	6.693	7.480
D	120.00	120.00	120.00	139.00	139.00	193.00	193.00	193.00	244.00	244.00
mm/in	4.724	4.724	4.724	5.472	5.472	7.598	7.598	7.598	9.606	9.606
E	36.00	36.00	36.00	42.00	42.00	50.00	70.00	70.00	102.00	102.00
mm/in	1.417	1.417	1.417	1.653	1.653	1.968	2.756	2.756	4.016	4.016
F	M6	M6	M6	M6	M6	M8	M8	M8	M8	M8
ISO 5211	F03	F03	F03	F04	F04	F05	F07	F07	F10	F10
H	11.50	12.50	14.50	18.00	18.00	23.50	22.50	25.00	32.50	31.00
mm/in	0.45	0.49	0.57	0.71	0.71	0.93	0.886	0.98	1.28	1.22
I	5.50	5.50	5.50	6.50	6.50	8.00	8.00	10.00	12.00	12.00
mm/in	0.217	0.217	0.217	0.256	0.256	0.315	0.315	0.394	0.472	0.472
J	7.70	7.70	7.70	9.30	9.30	12.50	12.50	15.60	18.80	18.80
mm/in	0.303	0.303	0.303	0.367	0.367	0.492	0.492	0.614	0.740	0.740

Applicable to models SF-3SW and SF-3BW

DIMENSIONS										
size	8	10	15	20	25	32	40	50	65	80
mm/in	¼	⅜	½	¾	1	1¼	1½	2	2½	3
A	9.50	9.50	15.00	20.00	25.00	32.00	38.00	50.50	65.00	78.00
mm/in	0.374	0.374	0.591	0.787	0.984	1.260	1.496	1.988	2.559	3.071
B	67.00	67.00	68.50	75.00	79.00	88.50	94.50	107.00	129.50	139.50
mm/in	2.638	2.638	2.697	2.953	3.110	3.484	3.720	4.213	5.098	5.492
C	60.00	60.00	70.00	76.00	92.00	105.00	120.00	138.00	170.50	191.00
mm/in	2.362	2.362	2.756	2.992	3.622	4.134	4.724	5.433	6.713	7.520
D	120.00	120.00	120.00	139.00	139.00	193.00	193.00	193.00	244.00	244.00
mm/in	4.724	4.724	4.724	5.472	5.472	7.598	7.598	7.598	9.606	9.606
E	36.00	36.00	36.00	42.00	42.00	50.00	70.00	70.00	102.00	102.00
mm/in	1.417	1.417	1.417	1.653	1.653	1.968	2.756	2.756	4.016	4.016
F	M6	M6	M6	M6	M6	M8	M8	M8	M8	M8
ISO 5211	F03	F03	F03	F04	F04	F05	F07	F07	F10	F10
G	14.20	17.60	21.70	27.10	33.80	42.60	48.70	61.00	73.80	90.00
mm/in	0.559	0.693	0.854	1.067	1.330	1.677	1.917	2.402	2.906	3.543
H	11.50	12.50	14.50	18.00	18.00	23.50	22.50	25.00	32.50	31.00
mm/in	0.45	0.49	0.57	0.71	0.71	0.93	0.89	0.98	1.28	1.22
I	5.50	5.50	5.50	6.50	6.50	8.00	8.00	10.00	12.00	12.00
mm/in	0.217	0.217	0.217	0.256	0.256	0.315	0.315	0.394	0.472	0.472
J	7.70	7.70	7.70	9.30	9.30	12.50	12.50	15.60	18.80	18.80
mm/in	0.303	0.303	0.303	0.367	0.367	0.492	0.492	0.614	0.740	0.740

