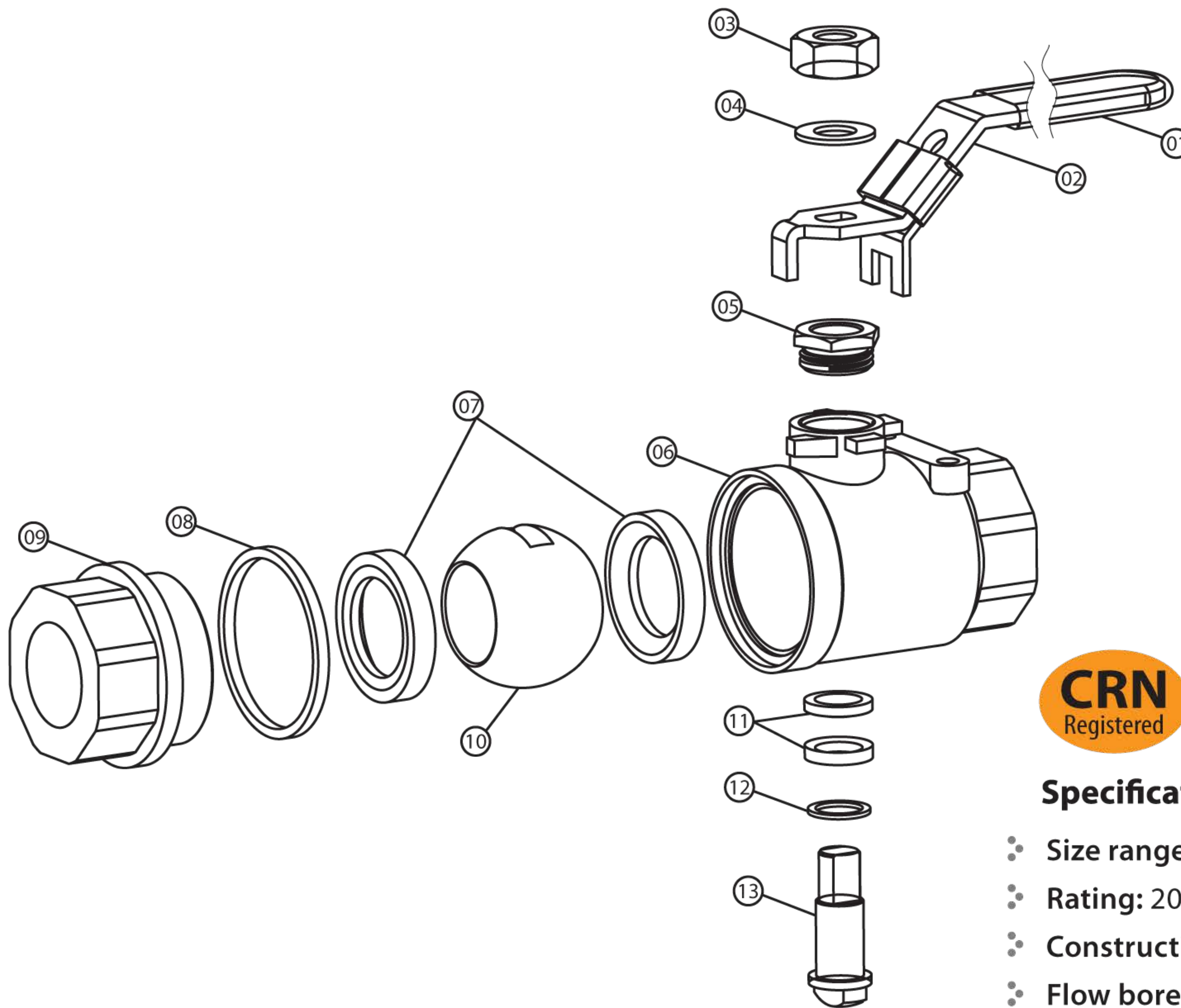


**S Series 2000 WOG
 2-pc full port
 SS ball valve**

SF-2T



Specification

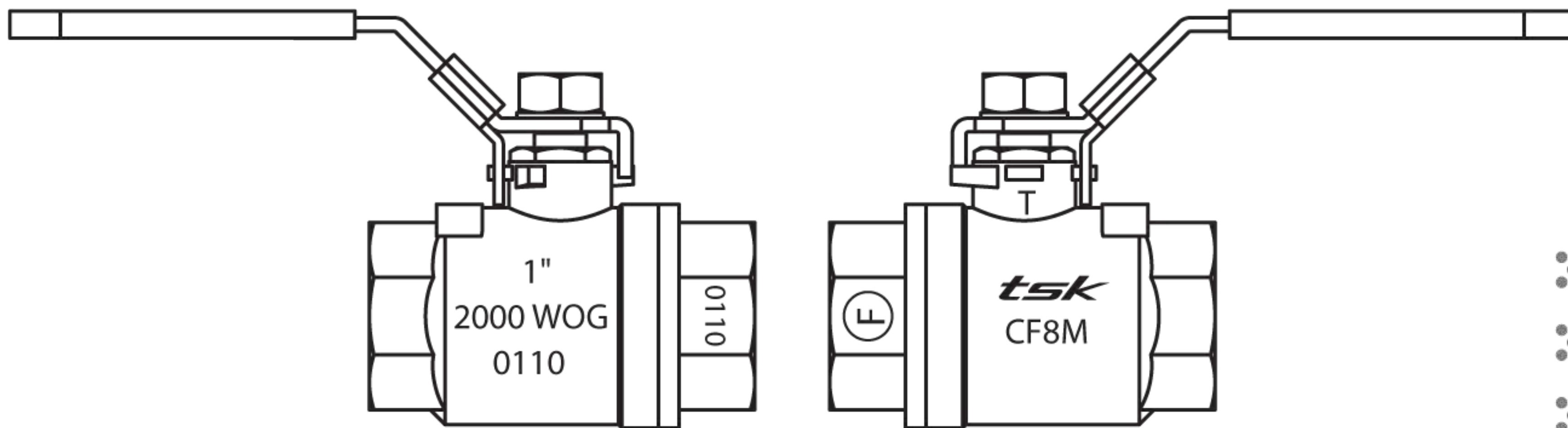
- ❖ **Size range:** 1/4"~3"
- ❖ **Rating:** 2000 psi WOG (1/4"~2") / 1500 psi WOG (2 1/2"~3")
- ❖ **Construction:** Two-piece body, with floating ball design
- ❖ **Flow bore:** Full port

Material list

No.	Part name	Material	Qty	Remarks
1	Handle grip	Vinyl	1	
2	Handle	Stainless steel 304 / A276	1	
3	Handle nut	Stainless steel 304 / A276	1	
4	Stem washer	Stainless steel 304 / A276	1	
5	Gland nut	Stainless steel 304 / A276	1	
6	Body	Stainless steel A351 Gr. CF8M	1	
7	Seat	Reinforced Teflon 15% GFT	2	
8	Gasket	PTFE	1	
9	Cap	Stainless steel A351 Gr. CF8M	1	
10	Ball	Stainless steel A351 Gr. CF8M	1	
11	Packing	PTFE	1	
12	Thrust washer	Reinforced Teflon 15% GFT	1	
13	Stem	Stainless steel 316 / A276	1	

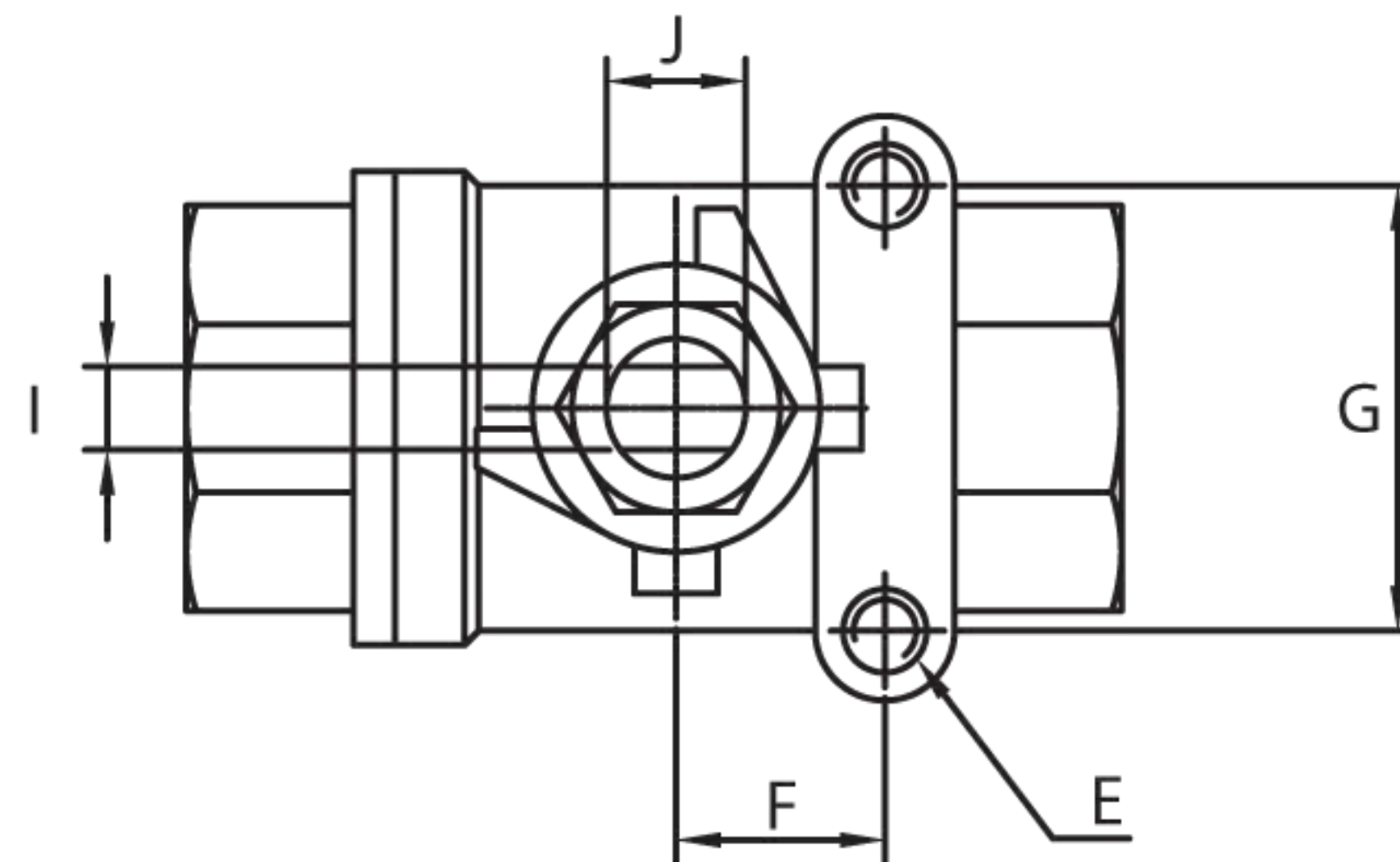
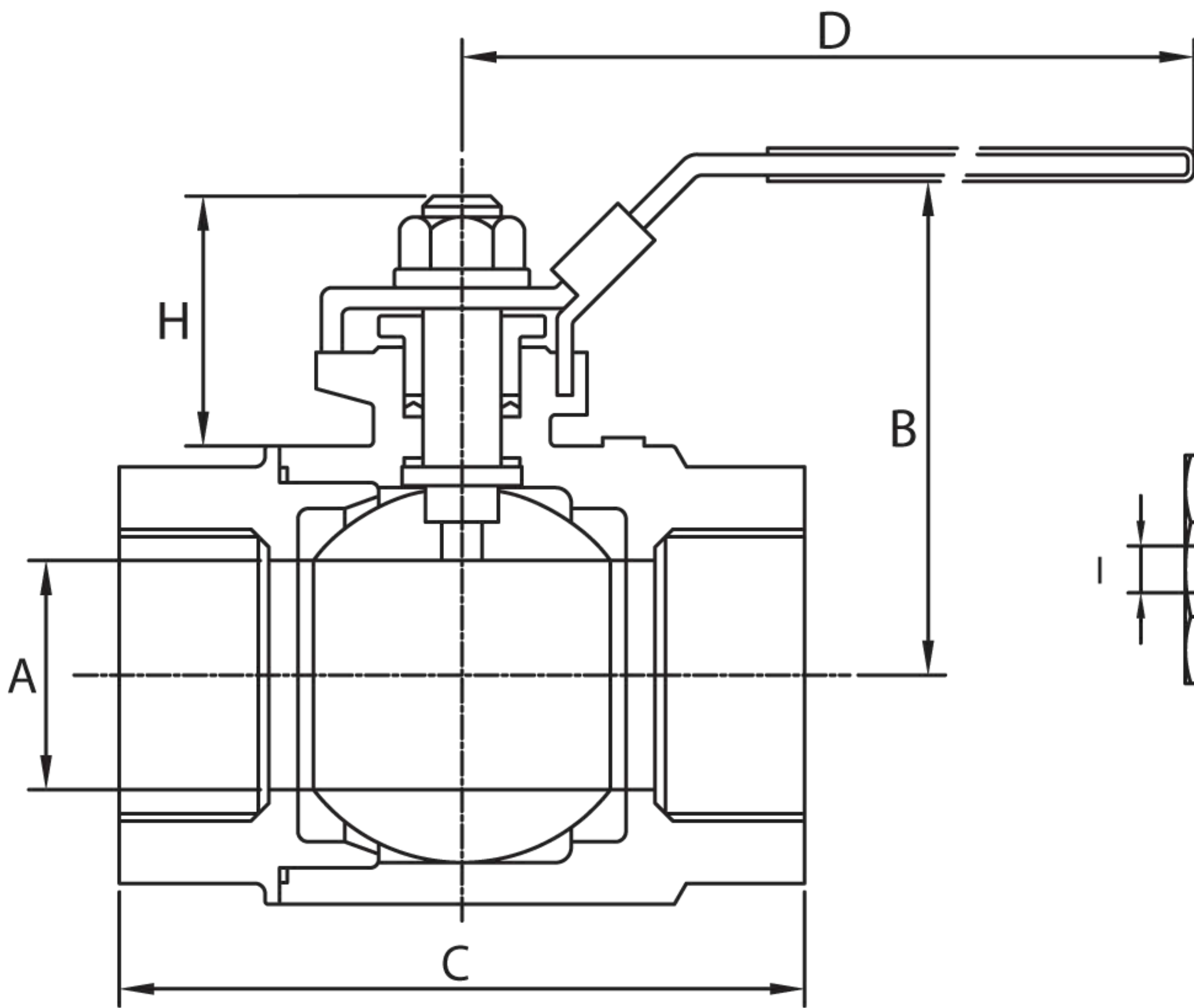
S Series 2000 WOG
2-pc full port
SS ball valve

SF-2T

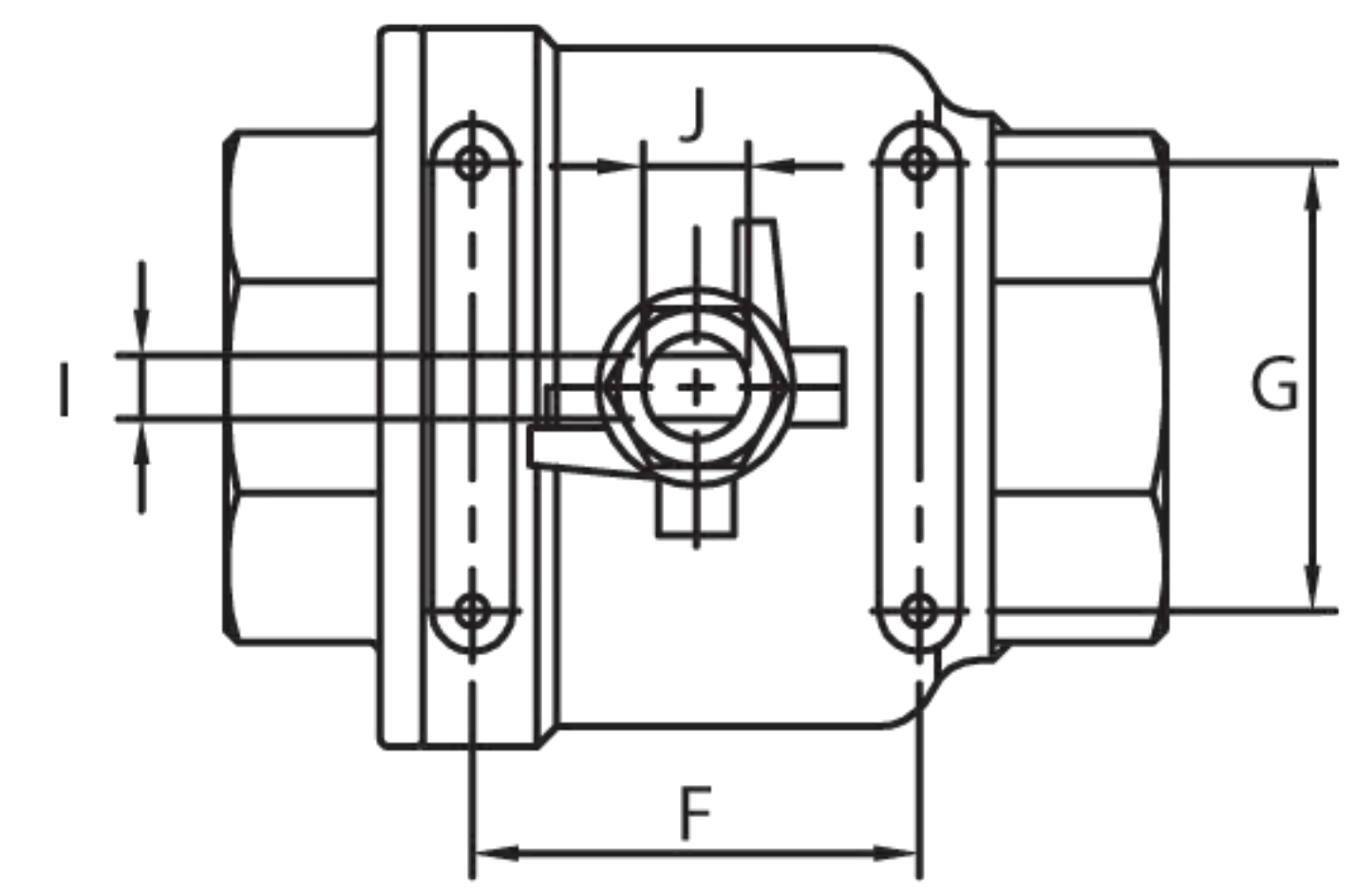


Product features

- ❖ NPT connection according to ANSI B1.20.1
- ❖ Blowout-proof stem
- ❖ Mounting pad to actuator available
- ❖ Adjustable packing gland
- ❖ Locking lever handle
- ❖ Oval handles available with sizes from 1/4" to 2"



Sizes 1/4" to 2"



Sizes 2 1/2" & 3"

Note:

1. Sizes 1/4" and 3/8" have non-tapped reserved holes cast in.
2. 1/2" to 2" mounting pads are tapped, and 2 1/2" and 3" are dimpled.

DIMENSIONS										
size	8	10	15	20	25	32	40	50	65	80
mm/in	3/8	1/2	3/4	1	1 1/4	1 1/2	2	2 1/2	3	3 1/4
A	9.60	9.60	12.70	20.00	25.00	32.00	38.00	50.80	65.00	78.00
mm/in	0.374	0.374	0.500	0.787	0.984	1.260	1.496	2.000	2.559	3.071
B	54.00	54.00	57.00	65.50	69.50	82.50	88.00	105.00	138.00	148.00
mm/in	2.130	2.130	2.240	2.580	2.740	3.250	3.460	4.130	5.430	5.830
C	55.50	55.50	62.00	72.50	85.00	94.50	113.00	133.00	162.00	180.50
mm/in	2.185	2.185	2.441	2.854	3.346	3.720	4.449	5.236	6.378	7.106
D	103.50	103.50	103.50	125.00	125.00	158.00	158.00	181.00	252.00	252.00
mm/in	4.075	4.075	4.075	4.921	4.921	6.220	6.220	7.126	9.921	9.921
E	*	*	M6	M6	M6	M8	M8	M8	†	†
F	12.73	12.73	12.73	14.85	14.85	17.68	24.75	24.75	72.10	72.10
mm/in	0.501	0.501	0.501	0.585	0.585	0.696	0.974	0.974	2.839	2.839
G	25.45	25.45	25.45	29.70	29.70	35.35	49.50	49.50	72.10	72.10
mm/in	1.002	1.002	1.002	1.169	1.169	1.392	1.949	1.949	2.839	2.839
H	22.50	22.50	23.10	28.00	29.00	38.20	38.20	40.00	45.00	42.00
mm/in	0.886	0.886	0.909	1.102	1.142	1.504	1.504	1.575	1.772	1.654
I	5.50	5.50	5.50	6.50	6.50	8.00	8.00	10.00	12.00	12.00
mm/in	0.217	0.217	0.217	0.256	0.256	0.315	0.315	0.394	0.472	0.472
J	7.70	7.70	7.70	9.30	9.30	12.50	12.50	15.60	18.80	18.80
mm/in	0.303	0.303	0.303	0.367	0.367	0.492	0.492	0.614	0.740	0.740

* Untapped
 † dimpled at drilling location

