

shinestoo®

shinestoo®

The Future Shines Brighter Together

shinoboo®

A global partner for lighting solutions you can trust!

We are proud to have an experienced R&D team that has been developing the next generation of lighting fixtures to put our company in a leading position. Our in-house support and sales team are ready to provide you with different lighting solutions to meet your lighting needs.



shinetoos®



ABOUT SHINETOO

Shineto Lighting is a manufacturer of LED lighting. Shineto's focus on designing and manufacturing high quality industrial and outdoor LED lighting, sport LED Lighting. Shineto has been engineering and manufacturing innovative LED lights since 2008. Shineto's products have been exported to over 50 countries covering Asia, Europe, North America, South America and Africa. Shineto's international business has been growing rapidly every year due to the great endeavors of our global distributors, high quality products and great reputation. All manufactured products are in strict accordance with quality and safety assurances of ISO9001, CE, RoSH, SAA, PSE, UL/CUL and DLC. Each product undergoes rigorous testing and final 100% commissioning before leaving the factory to ensure that it fully meets our production and enterprise standards before being delivered to our customers. Our goal has been to provide high quality and innovative products with best service at affordable prices. Shineto can do better and better with your support, we hope that you will enjoy our quality products and services, we are always willing to hear from you with new ideas. Let's cooperate to build the green world for our next future generation!

GLOBAL LIGHTING LEADER

Shineto provides high quality lighting products, systems and services

shineto®

Global brand of professional lighting and consumer lighting products



SAA



TUV



CB



CE



ETL



ETL



ETL



ETL



UL

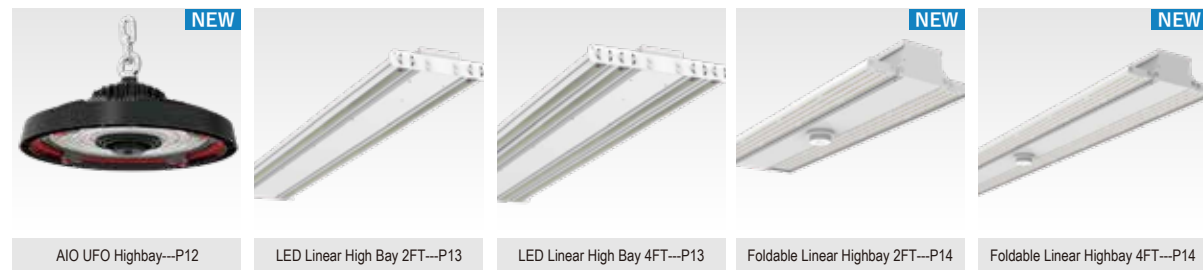
PRODUCT INDEX

LED FLOOD LIGHT



G1-S1 LED Flood Light--P5 G1-S2 LED Flood Light--P6 G1-S3 LED Flood Light--P7 G4 LED Flood Light--P8 G2 LED Flood Light--P9 G5 LED Flood Light--P10 G3 LED Flood Light--P11

LED INDUSTRIAL LIGHTING



AIO UFO Highbay--P12 LED Linear High Bay 2FT--P13 LED Linear High Bay 4FT--P13 Foldable Linear Highbay 2FT--P14 Foldable Linear Highbay 4FT--P14

LED AREA LIGHT



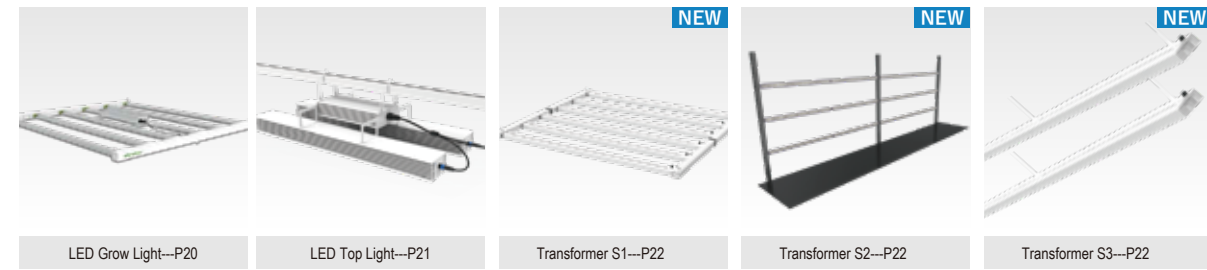
A1 LED Area Light--P15 A2 LED Area Light--P16

LED COMMERCIAL LIGHT



2' x 2' LED Troffer--P17 2' x 4' LED Troffer--P17 LED Strip Fixture Light 4foot--P18 LED Strip Fixture Light 8foot--P18 LED Magnetic Strip Kits--P19

LED GROW LIGHT



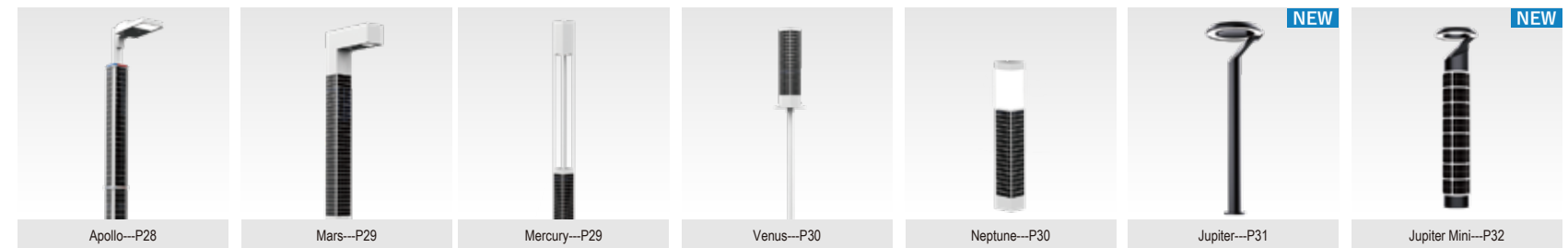
LED Grow Light--P20 LED Top Light--P21 Transformer S1--P22 Transformer S2--P22 Transformer S3--P22

UV-C LIGHT



UV-C for HVAC--P23 UV-C Air Purifier 2x2--P24 UV-C Air Conditioner 36W--P25 UV-C Air Conditioner 72W--P26

SOLAR LIGHT SOLUTION

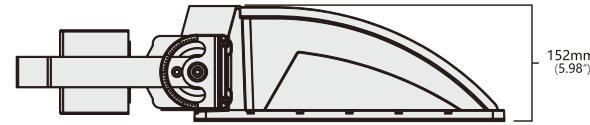
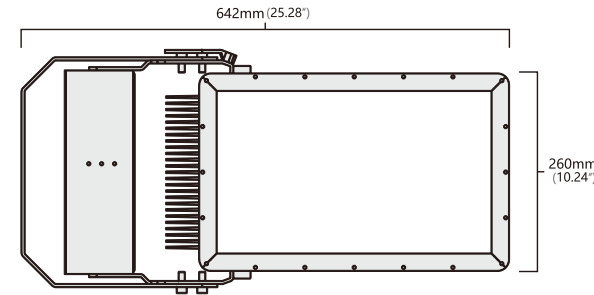


Apollo--P28 Mars--P29 Mercury--P29 Venus--P30 Neptune--P30 Jupiter--P31 Jupiter Mini--P32



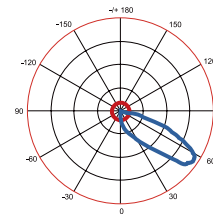
G1-S1 LED FLOOD LIGHT

100 V_{AC} | -25°C to +45°C | IP65 | IK10 | CRI >70 | 3 step MacAdam | <4% LOW flicker | L80-B20 >50,000h | 10 kV | 7 YEARS WARRANTY



Fixture Weight (with driver): 9.8kg
Fixture Weight (without driver): 8.76kg
EPA: 0.075m²-0.125m²

PHOTOMETRICS



OPTION

- SD Standard ON/OFF
- DL DALI
- HV Input 347-480v
- RD Remote Driver

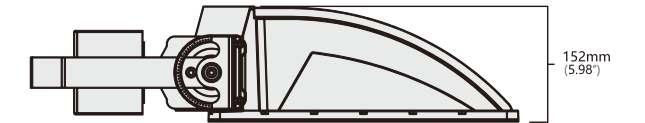
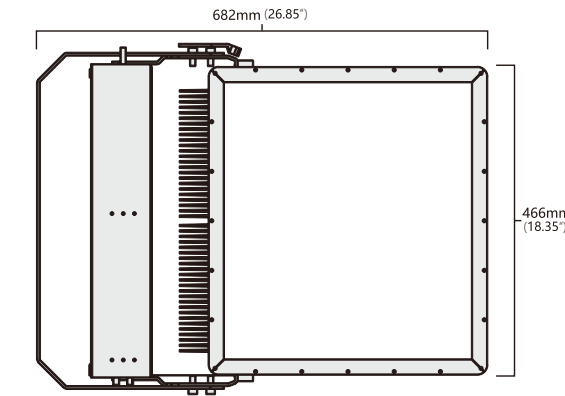
MODEL NUMBER	LED LIGHT SOURCE	DRIVER	SYSTEM WATTAGE	CCT	CRI	LUMEN OUTPUT	Lm/W
ST-LHM100N	NICHIA	Meanwell	100W	5700K	>70	13,000LM	130-140
ST-LHM150N	NICHIA	Meanwell	150W	5700K	>70	19,500LM	130-140
ST-LHM200N	NICHIA	Meanwell	200W	5700K	>70	26,000LM	130-140

ACCESSORIES



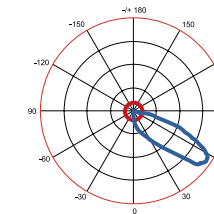
G1-S2 LED FLOOD LIGHT

100 V_{AC} | -25°C to +45°C | IP65 | IK10 | CRI >70 | 3 step MacAdam | <4% LOW flicker | L80-B20 >50,000h | 10 kV | 7 YEARS WARRANTY



Fixture Weight (with driver): 21.3kg
Fixture Weight (without driver): 19.18kg
EPA: 0.075m²-0.125m²

PHOTOMETRICS



OPTION

- SD standard ON/OFF
- DL DALI
- HV input 347-480v
- RD remote Driver

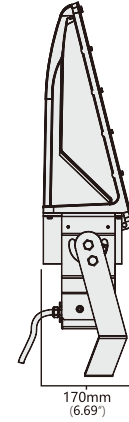
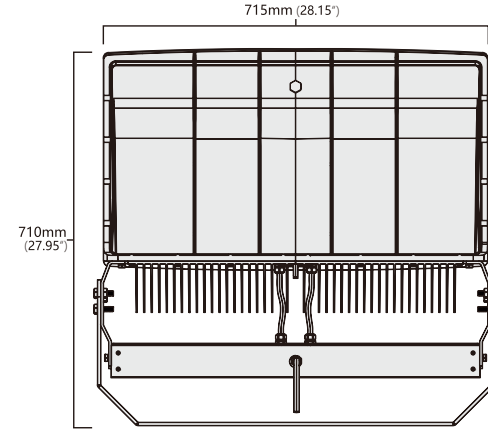
MODEL NUMBER	LED LIGHT SOURCE	DRIVER	SYSTEM WATTAGE	CCT	CRI	LUMEN OUTPUT	Lm/W
ST-LHM300N	NICHIA	Meanwell	300W	5700K	>70	39,000LM	130-140
ST-LHM400N	NICHIA	Meanwell	400W	5700K	>70	52,000LM	130-140

ACCESSORIES



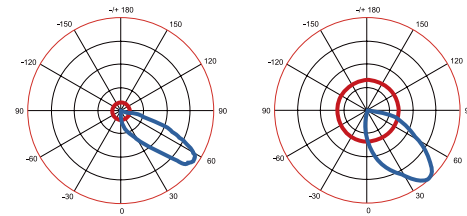
G1-S3 LED FLOOD LIGHT

100 V_{AC} | -25°C / +45°C | IP65 | IK10 | CRI >70 | 3 step MacAdam | <4% LOW flicker | L80-B20 >50,000h | 10 kV | 7 YEARS WARRANTY



Fixture Weight (with driver): 32.84kg
Fixture Weight (without driver): 29.2kg
EPA: 0.075m²-0.145m²

PHOTOMETRICS



OPTION

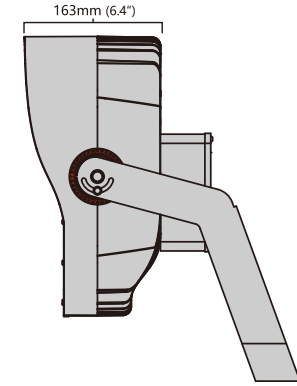
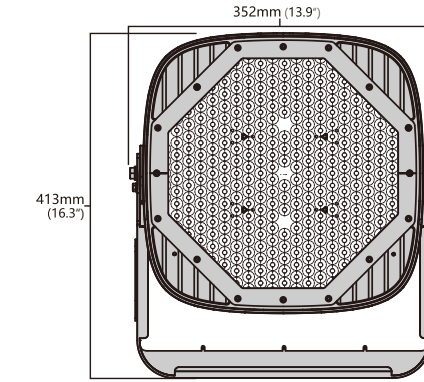
- SD | SD Standard ON/OFF
- DL | DL DALI
- HV | HV Input 347-480v
- RD | RD Remote Driver

ACCESSORIES



G4 LED FLOOD LIGHT

100 V_{AC} | -25°C / +45°C | IP65 | IK08 | CRI >70 | 3 step MacAdam | <4% LOW flicker | L80-B20 >50,000h | 10 kV | 5 YEARS WARRANTY



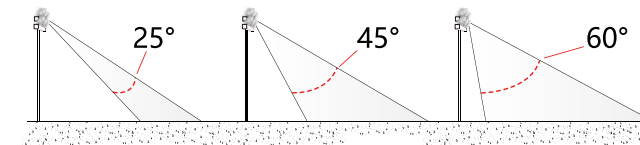
Fixture Weight (with driver): 16.2kg
Fixture Weight (without driver): 12.8kg
EPA: 0.045m²-0.094m²

MODEL NUMBER	LED LIGHT SOURCE	DRIVER	SYSTEM WATTAGE	CCT	CRI	LUMEN OUTPUT	Lm/W
ST-RSL300S	OSRAM	Meanwell / Inventronics	300W	5700K	>70	36,000LM	120
ST-RSL400S	OSRAM	Meanwell / Inventronics	400W	5700K	>70	48,000LM	120
ST-RSL500S	OSRAM	Meanwell / Inventronics	500W	5700K	>70	60,000LM	120
ST-RSL600S	OSRAM	Meanwell / Inventronics	600W	5700K	>70	72,000LM	120

ACCESSORIES



DIFFERENT BEAM ANGLES AVAILABLE

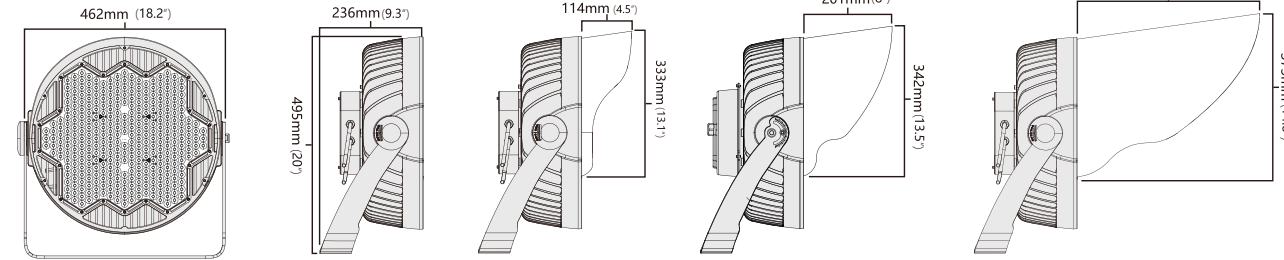


OPTION

- SD | SD Standard ON/OFF
- DL | DL DALI
- HV | HV Input 347-480v
- RD | RD Remote Driver

G2 LED FLOOD LIGHT

100 V_{AC} | -25°C | +45°C | IP65 | IK08 | CRI >70 | 3 step MacAdam | <4% flicker | L80-B20 >50,000h | 10 kV | 5 YEARS WARRANTY



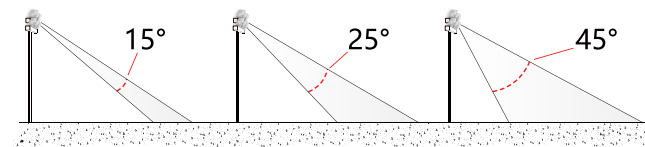
MODEL NUMBER	LED LIGHT SOURCE	DRIVER	SYSTEM WATTAGE	CCT	CRI	LUMEN OUTPUT	Lm/W
ST-RSL500N	NICHIA / OSRAM	Meanwell / Inventronics	500W	5700K	>70	60,000LM	120
ST-RSL600N	NICHIA / OSRAM	Meanwell / Inventronics	600W	5700K	>70	72,000LM	120
ST-RSL800N	NICHIA / OSRAM	Meanwell / Inventronics	800W	5700K	>70	96,000LM	120
ST-RSL1000N	NICHIA / OSRAM	Meanwell / Inventronics	1000W	5700K	>70	120,000LM	120
ST-RSL1200N	NICHIA / OSRAM	Meanwell / Inventronics	1200W	5700K	>70	144,000LM	120

500W Fixture Weight (with driver): 24.2kg
500W Fixture Weight (without driver): 19.88kg
600W Fixture Weight (with driver): 24.2kg
600W Fixture Weight (without driver): 19.88kg
800W Fixture Weight (with driver): 31.2kg
800W Fixture Weight (without driver): 19.88kg
1000W Fixture Weight (with driver): 34.18kg
1000W Fixture Weight (without driver): 19.88kg
1200W Fixture Weight (with driver): 34.18kg
1200W Fixture Weight (without driver): 19.88kg
EPA: 0.058m²-0.138m²

ACCESSORIES



DIFFERENT BEAM ANGLES AVAILABLE

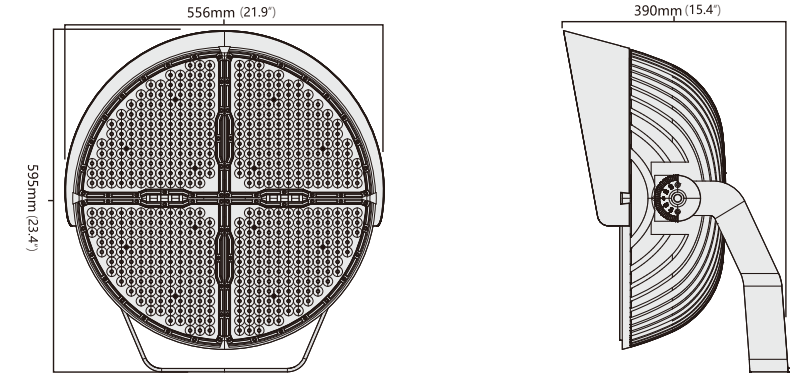


OPTION

- SD | SD Standard ON/OFF
- DL | DL DALI
- HV | HV Input 347-480v
- RD | RD Remote Driver

G5 LED FLOOD LIGHT

100 V_{AC} | -25°C | +45°C | IP65 | IK08 | CRI >70 | 3 step MacAdam | <4% flicker | L80-B20 >50,000h | 10 kV | 5 YEARS WARRANTY



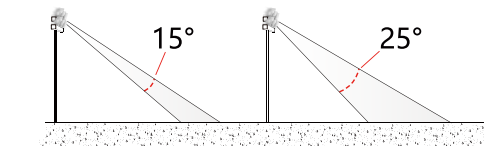
MODEL NUMBER	LED LIGHT SOURCE	DRIVER	SYSTEM WATTAGE	CCT	CRI	LUMEN OUTPUT	Lm/W
ST-RSL1200G5	OSRAM	Meanwell / Inventronics	1200W	5700K	>70	162,000LM	135
ST-RSL1300G5	OSRAM	Meanwell / Inventronics	1300W	5700K	>70	175,500LM	135
ST-RSL1400G5	OSRAM	Meanwell / Inventronics	1400W	5700K	>70	189,000LM	135
ST-RSL1500G5	OSRAM	Meanwell / Inventronics	1500W	5700K	>70	202,500LM	135
ST-RSL1600G5	OSRAM	Meanwell / Inventronics	1600W	5700K	>70	216,000LM	135

Fixture Weight (with driver): 34kg
Fixture Weight (without driver): 27.8kg
EPA: 0.2m²

ACCESSORIES



DIFFERENT BEAM ANGLES AVAILABLE

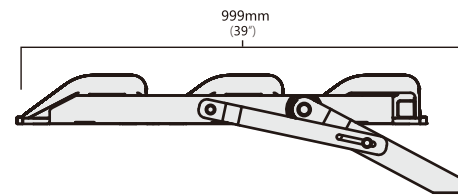
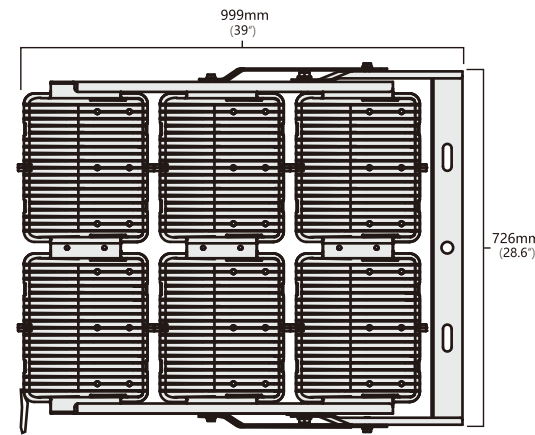


OPTION

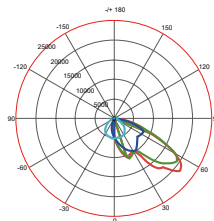
- SD | SD Standard ON/OFF
- DL | DL DALI
- HV | HV Input 347-480v
- RD | RD Remote Driver

G3 LED FLOOD LIGHT

CE | CB | 100/277 V~ | -25°C / +45°C | IP65 | IK08 | CRI >70 | 3 step MacAdam | <4% LOW flicker | L80-B20 >50,000h | 10 kV | 5 YEARS WARRANTY



PHOTOMETRICS



OPTION

- SD | SD Standard ON/OFF
- DL | DL DALI
- HV | HV Input 347-480v
- RD | RD Remote Driver

ACCESSORIES



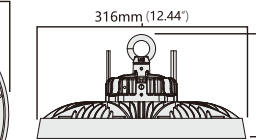
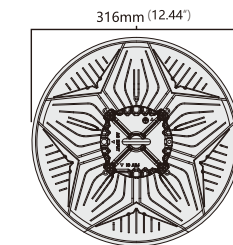
ACCG3001

MODEL NUMBER	LED LIGHT SOURCE	DRIVER	SYSTEM WATTAGE	CCT	CRI	LUMEN OUTPUT	Lm/W
ST-G3LHM200N	NICHIA	Meanwell / Inventronics	200W	5700K	>70	22,000LM	100-110
ST-G3LHM300N	NICHIA	Meanwell / Inventronics	300W	5700K	>70	33,000LM	100-110
ST-G3LHM400N	NICHIA	Meanwell / Inventronics	400W	5700K	>70	44,000LM	100-110
ST-G3LHM500N	NICHIA	Meanwell / Inventronics	500W	5700K	>70	55,000LM	100-110
ST-G3LHM600N	NICHIA	Meanwell / Inventronics	600W	5700K	>70	66,000LM	100-110
ST-G3LHM800N	NICHIA	Meanwell / Inventronics	800W	5700K	>70	88,000LM	100-110
ST-G3LHM1000N	NICHIA	Meanwell / Inventronics	1000W	5700K	>70	110,000LM	100-110
ST-G3LHM1200N	NICHIA	Meanwell / Inventronics	1200W	5700K	>70	132,000LM	100-110
ST-G3LHM1400N	NICHIA	Meanwell / Inventronics	1400W	5700K	>70	154,000LM	100-110

ALL-IN-ONE UFO HIGHBAY LIGHTS

New

CE | ISO | 100/277 V~ | IP65 | IK08 | CRI >70 | 10 kV



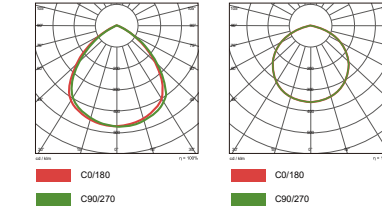
Fixture Weight: 3kg

OPTION

- SD | SD Standard ON/OFF
- DL | DL DALI
- HV | HV Input 347-480v
- RD | RD Remote Driver

MODEL NUMBER	LED LIGHT SOURCE	DRIVER	SYSTEM WATTAGE	CCT	CRI
ST-AIOHBL100	Philips / Osram	Lifud	100W	5700K	>70
ST-AIOHBL150	Philips / Osram	Lifud	150W	5700K	>70
ST-AIOHBL200	Philips / Osram	Lifud	200W	5700K	>70

PHOTOMETRICS



ACCESSORIES



ACCHBL001

ACCHBL002

ACCHBL003

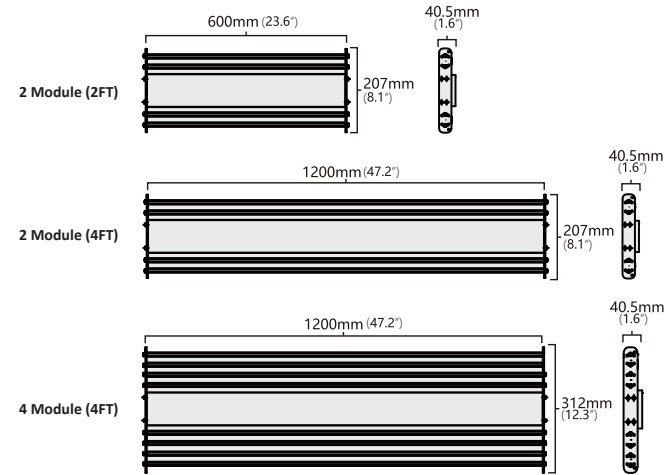
ACCHBL004

ACCHBL005

LED LINEAR HIGH BAY-S2

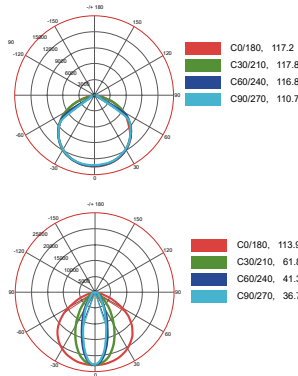


2 Module Fixture-2FT Weight: 3kg
2 Module Fixture-4FT Weight: 5.9kg
4 Module Fixture-4FT Weight: 11.1kg



MODEL NUMBER	LED LIGHT SOURCE	DRIVER	SYSTEM WATTAGE	CCT	CRI	LUMEN OUTPUT	Lm/W
ST-PHBL70N-2FT / 4FT	CREE	Meanwell	70W	5700K	>70	9,800LM	140
ST-PHBL100N-2FT / 4FT	CREE	Meanwell	100W	5700K	>70	14,000LM	140
ST-PHBL150N-2FT / 4FT	CREE	Meanwell	150W	5700K	>70	21,000LM	140
ST-PHBL180N-2FT / 4FT	CREE	Meanwell	180W	5700K	>70	25,200LM	140
ST-PHBL200N-2FT / 4FT	CREE	Meanwell	200W	5700K	>70	28,000LM	140
ST-PHBL240N-4FT	CREE	Meanwell	240W	5700K	>70	33,600LM	140
ST-PHBL300N-4FT	CREE	Meanwell	300W	5700K	>70	42,000LM	140
ST-PHBL400N-4FT	CREE	Meanwell	400W	5700K	>70	56,000LM	140

PHOTOMETRICS



ACCESSORIES



OPTION

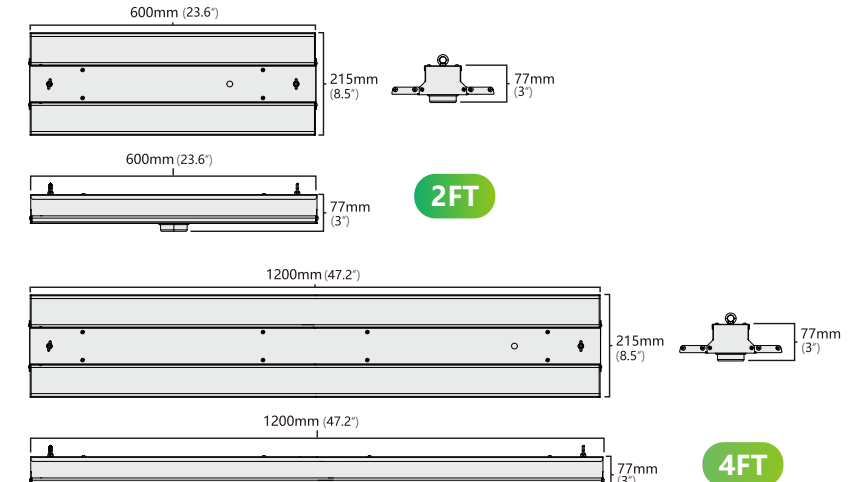
- SD | SD Standard ON/OFF
 DL DALI
 IP65 IP65
 MS Motion Sensor

LED FOLDABLE LINEAR HIGH BAY

New

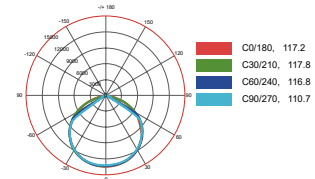


MODEL NUMBER	LED LIGHT SOURCE	DRIVER	SYSTEM WATTAGE	CCT	CRI	LUMEN OUTPUT	Lm/W
ST-FLH65W-2FT-XXX	CREE	Lifud	65W	5700K	>70	9,100LM	160
ST-FLH90W-2FT-XXX	CREE	Lifud	90W	5700K	>70	12,600LM	160
ST-FLH120W-2FT-XXX	CREE	Lifud	120W	5700K	>70	16,800LM	160
ST-FLH160W-2FT-XXX	CREE	Lifud	160W	5700K	>70	22,400LM	160
ST-FLH220W-4FT-XXX	CREE	Lifud	220W	5700K	>70	30,800LM	160
ST-FLH320W-4FT-XXX	CREE	Lifud	320W	5700K	>70	44,800LM	160
ST-FLH420W-4FT-XXX	CREE	Lifud	420W	5700K	>70	58,800LM	160



2FT-Fixture Weight: 7.14kg
4FT-Fixture Weight: 9.1kg

PHOTOMETRICS



OPTION

- SD | IP65 IP65
 MS Motion Sensor
 FL Frosted Lens
 EK Emergency Lighting Kits

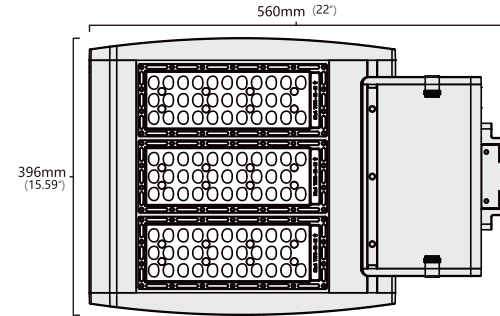


ACCESSORIES



A1 LED AREA LIGHT

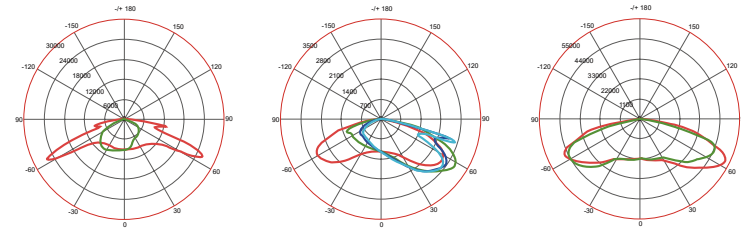
100/277 V= -25°C / +45°C | **IP65** | IK08 | CRI >70 | 5 step MacAdam | <7% LOW flicker | L80-B20 >50,000h | 10 kV | 5 YEARS WARRANTY



Fixture Weight: 10.5kg

MODEL NUMBER	LED LIGHT SOURCE	DRIVER	SYSTEM WATTAGE	CCT	CRI	LUMEN OUTPUT	Lm/W
ST-LAL70W	CREE	Moons	70W	5700K	>70RA	9,800LM	130-140
ST-LAL100W	CREE	Moons	100W	5700K	>70RA	14,000LM	130-140
ST-LAL150W	CREE	Moons	150W	5700K	>70RA	21,000LM	130-140
ST-LAL200W	CREE	Moons	200W	5700K	>70RA	28,000LM	130-140
ST-LAL240W	CREE	Moons	240W	5700K	>70RA	33,600LM	130-140
ST-LAL300W	CREE	Moons	300W	5700K	>70RA	72,000LM	130-140

PHOTOMETRICS



ACCESSORIES

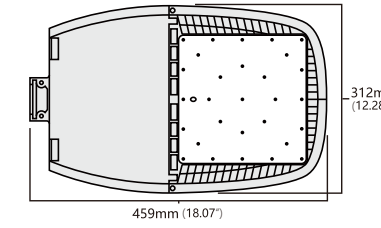
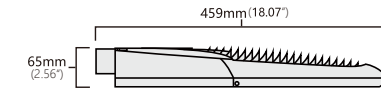


OPTION

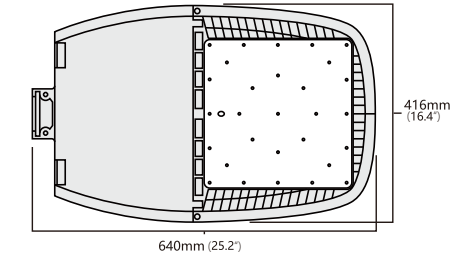
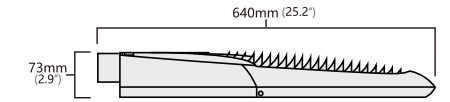
- SD Standard ON/OFF
- DL DALI
- HV Input 347-480v
- RD Remote Driver
- DS Daylight Sensor
- MS Motion Sensor

A2 LED AREA LIGHT

100/277 V= -25°C / +45°C | **IP65** | IK08 | CRI >70 | 5 step MacAdam | <7% LOW flicker | L80-B20 >50,000h | 10 kV | 5 YEARS WARRANTY



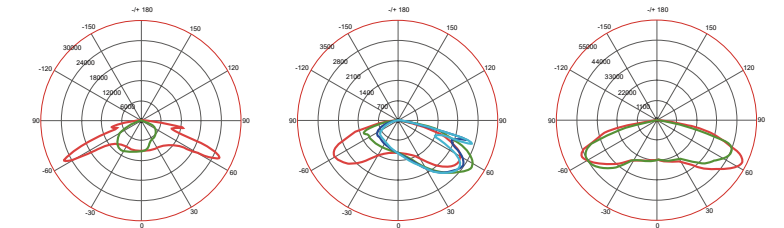
Fixture Weight: 5.5kg



Fixture Weight: 9.5kg

MODEL NUMBER	LED LIGHT SOURCE	DRIVER	SYSTEM WATTAGE	CCT	CRI	LUMEN OUTPUT	Lm/W
ST-A2LAL50W	Philips	Inventronics	50W	5700K	>70RA	8,000LM	160
ST-A2LAL80W	Philips	Inventronics	80W	5700K	>70RA	12,800LM	160
ST-A2LAL125W	Philips	Inventronics	125W	5700K	>70RA	20,000LM	160
ST-A2LAL155W	Philips	Inventronics	155W	5700K	>70RA	24,800LM	160
ST-A2LAL185W	Philips	Inventronics	185W	5700K	>70RA	29,600LM	160
ST-A2LAL245W	Philips	Inventronics	245W	5700K	>70RA	39,200LM	160
ST-A2LAL305W	Philips	Inventronics	305W	5700K	>70RA	48,800LM	160
ST-A2LAL400W	Philips	Inventronics	400W	5700K	>70RA	60,000LM	150

PHOTOMETRICS



ACCESSORIES



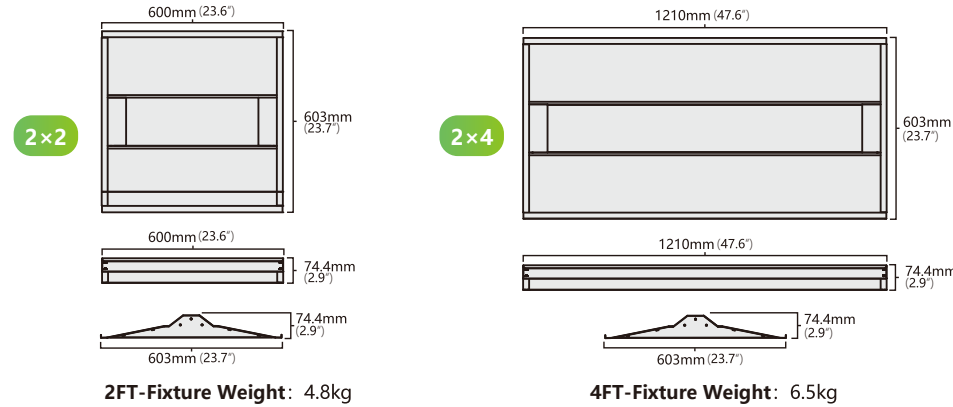
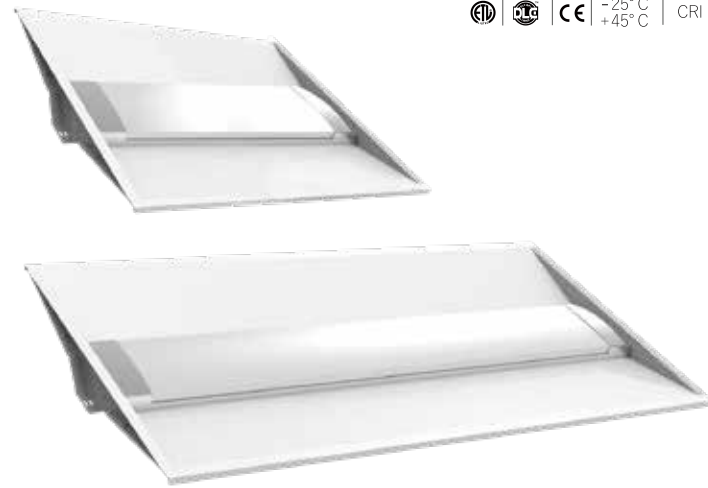
OPTION

- SD Standard ON/OFF
- DL DALI
- HV Input 347-480v
- RD Remote Driver
- DS Daylight Sensor
- MS Motion Sensor

LED TROFFER LIGHT




 -25°C | +45°C | CRI >70 | 5 step MacAdam | <7% LOW flicker |  YEARS WARRANTY



MODEL NUMBER	LED LIGHT SOURCE	DRIVER	SYSTEM WATTAGE	CCT	CRI	Lm/W
ST-LTLN-2X2-24/30/36-83050K	Philips	Shinetoo	24W/30W/36W	3,000K-5,000K	70 / 80RA	130-140
ST-LTLR-2X2-24/30/36-83050K	Philips	Shinetoo	24W/30W/36W	3,000K-5,000K	70 / 80RA	130-140
ST-LTLN-2X2-30/36/50-83050K	Philips	Shinetoo	30W/36W/50W	3,000K-5,000K	70 / 80RA	130-140
ST-LTLR-2X2-30/36/50-83050K	Philips	Shinetoo	30W/36W/50W	3,000K-5,000K	70 / 80RA	130-140

ACCESSORIES



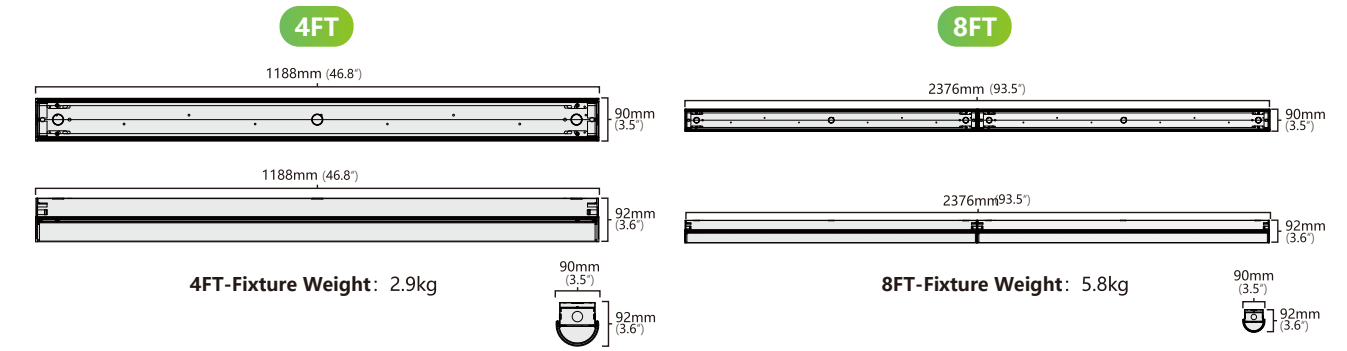
OPTION

SD | SD Standard ON/OFF
 | DL DALI
 | Sensor : Sr

LED STRIP FIXTURE LIGHT




 -25°C | +45°C | CRI >70 | 5 step MacAdam | <7% LOW flicker |  YEARS WARRANTY



MODEL NUMBER	LED LIGHT SOURCE	DRIVER	SYSTEM WATTAGE	CCT	CRI	LUMEN OUTPUT	Lm/W
ST-LSF-4FT-25N	Osram / Philips	Meanwell / Shinetoo	25W	2,700K-7,000K	70 / 80RA	13,000LM	130-140
ST-LSF-4FT-32N	Osram / Philips	Meanwell / Shinetoo	32W	2,700K-7,000K	70 / 80RA	15,600LM	130-140
ST-LSF-4FT-40N	Osram / Philips	Meanwell / Shinetoo	40W	2,700K-7,000K	70 / 80RA	19,500LM	130-140
ST-LSF-4FT-60N	Osram / Philips	Meanwell / Shinetoo	60W	2,700K-7,000K	70 / 80RA	26,000LM	130-140
ST-LSF-8FT-40N	Osram / Philips	Meanwell / Shinetoo	40W	2,700K-7,000K	70 / 80RA	15,600LM	130-140
ST-LSF-8FT-60N	Osram / Philips	Meanwell / Shinetoo	60W	2,700K-7,000K	70 / 80RA	19,500LM	130-140
ST-LSF-8FT-80N	Osram / Philips	Meanwell / Shinetoo	80W	2,700K-7,000K	70 / 80RA	26,000LM	130-140
ST-LSF-8FT-100N	Osram / Philips	Meanwell / Shinetoo	100W	2,700K-7,000K	70 / 80RA	26,000LM	130-140
ST-LSF-8FT-120N	Osram / Philips	Meanwell / Shinetoo	120W	2,700K-7,000K	70 / 80RA	26,000LM	130-140

ACCESSORIES



OPTION

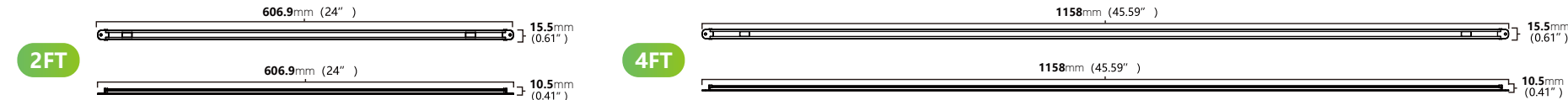
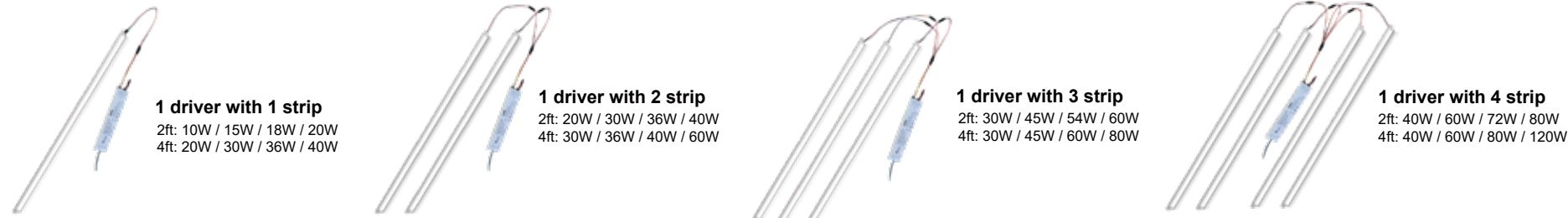
SD | SD Standard ON/OFF
 | DL DALI
 | MS Motion Sensor

LED MAGNETIC STRIP KITS

-25°C / +45°C | 100/270 V_{AC} | CRI >70 | 5 step MacAdam | <7% LOW flicker | 5 YEARS WARRANTY

Magnet

New



2FT-Fixture Weight: 75g

4FT-Fixture Weight: 140g

MODEL NUMBER	LED LIGHT SOURCE	DRIVER	CCT	CRI	Lm/W
ST-MSK21-XX	Osram	Meanwell / Shinetoo	2,700K-7,000K	70 / 80RA	130-140
ST-MSK22-XX	Osram	Meanwell / Shinetoo	2,700K-7,000K	70 / 80RA	130-140
ST-MSK23-XX	Osram	Meanwell / Shinetoo	2,700K-7,000K	70 / 80RA	130-140
ST-MSK24-XX	Osram	Meanwell / Shinetoo	2,700K-7,000K	70 / 80RA	130-140
ST-MSK41-XX	Osram	Meanwell / Shinetoo	2,700K-7,000K	70 / 80RA	130-140
ST-MSK42-XX	Osram	Meanwell / Shinetoo	2,700K-7,000K	70 / 80RA	130-140
ST-MSK43-XX	Osram	Meanwell / Shinetoo	2,700K-7,000K	70 / 80RA	130-140
ST-MSK44-XX	Osram	Meanwell / Shinetoo	2,700K-7,000K	70 / 80RA	130-140

Toolless Installation

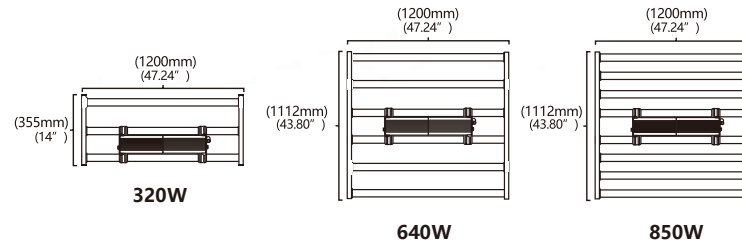


LED GROW LIGHT

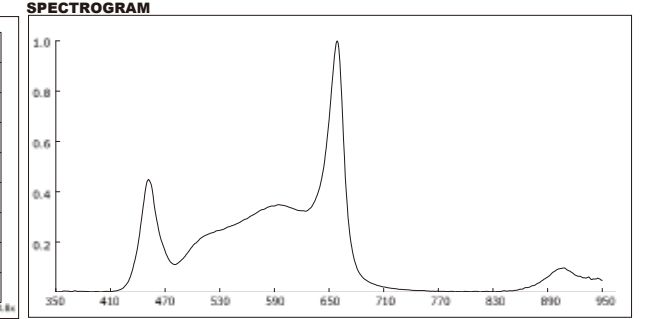
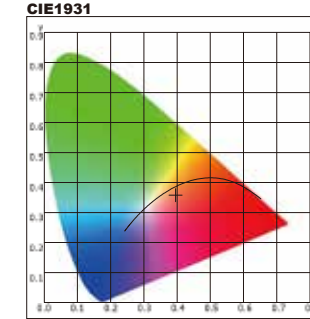
-25°C / +45°C



Foldable

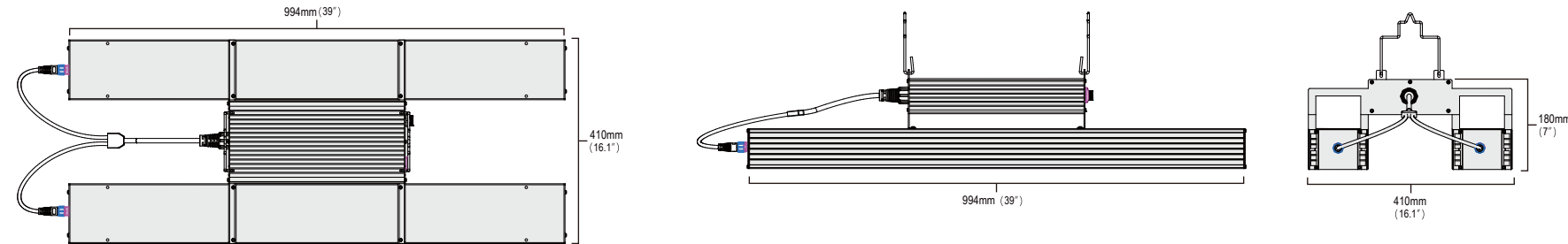
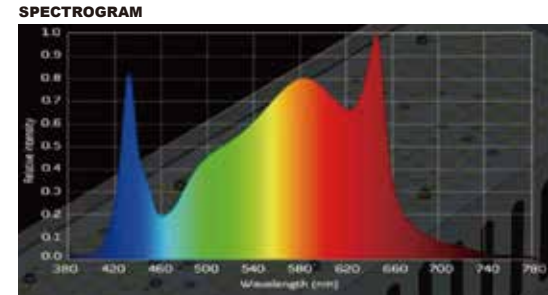


Fixture Weight:
 320W—5.24kg
 640W—11.3kg
 850W—15.1kg



MODEL NUMBER	OUTPUT WATTAGE	PPF (LIGHT OUTPUT)	PAR EFFICACY	INPUT VOLTAGE	DRIVER BRAND	LIGHT SOURCE	DIMMING	POWER FACTOR	MATERIAL	THERMAL MANAGEMENT	MOUNTING HEIGHT	WARRANTY LIFETIME	CERTIFICATIONS	IP RATING
ST-GL320PRO	320W	832 $\mu\text{mol/s}$	2.6 $\mu\text{mol/J}$	AC100-277V	Inventronics	Samsung / OSRAM LEDs	0-10V/PWM	>0.95	6063Aluminum	Passive Cooling	$\geq 18"$ (45cm) Above Plant Canopy	5 year / Q90 >36,000hrs	UL8800 / ETL / CE / RoHS Standards / DLC Listed	UL 1598, UL8800-Wet location, CE-IP66 rated
ST-GL320E	320W	736 $\mu\text{mol/s}$	2.3 $\mu\text{mol/J}$	AC100-277V	Inventronics	Chinese Brand	0-10V/PWM	>0.95	6063Aluminum	Passive Cooling	$\geq 18"$ (45cm) Above Plant Canopy	5 year / Q90 >36,000hrs	UL8800 / ETL / CE / RoHS Standards / DLC Listed	UL 1598, UL8800-Wet location, CE-IP66 rated
ST-GL640PRO	640W	1,664 $\mu\text{mol/s}$	2.6 $\mu\text{mol/J}$	AC100-277V	Inventronics	Samsung / OSRAM LEDs	0-10V/PWM	>0.95	6063Aluminum	Passive Cooling	$\geq 18"$ (45cm) Above Plant Canopy	5 year / Q90 >36,000hrs	UL8800 / ETL / CE / RoHS Standards / DLC Listed	UL 1598, UL8800-Wet location, CE-IP66 rated
ST-GL640E	640W	1,472 $\mu\text{mol/s}$	2.3 $\mu\text{mol/J}$	AC100-277V	Inventronics	Chinese Brand	0-10V/PWM	>0.95	6063Aluminum	Passive Cooling	$\geq 18"$ (45cm) Above Plant Canopy	5 year / Q90 >36,000hrs	UL8800 / ETL / CE / RoHS Standards / DLC Listed	UL 1598, UL8800-Wet location, CE-IP66 rated
ST-GL850PRO	850W	2,210 $\mu\text{mol/s}$	2.6 $\mu\text{mol/J}$	AC100-277V	Inventronics	Samsung / OSRAM LEDs	0-10V/PWM	>0.95	6063Aluminum	Passive Cooling	$\geq 18"$ (45cm) Above Plant Canopy	5 year / Q90 >36,000hrs	UL8800 / ETL / CE / RoHS Standards / DLC Listed	UL 1598, UL8800-Wet location, CE-IP66 rated
ST-GL850E	850W	1,955 $\mu\text{mol/s}$	2.3 $\mu\text{mol/J}$	AC100-277V	Inventronics	Chinese Brand	0-10V/PWM	>0.95	6063Aluminum	Passive Cooling	$\geq 18"$ (45cm) Above Plant Canopy	5 year / Q90 >36,000hrs	UL8800 / ETL / CE / RoHS Standards / DLC Listed	UL 1598, UL8800-Wet location, CE-IP66 rated

LED TOP LIGHT

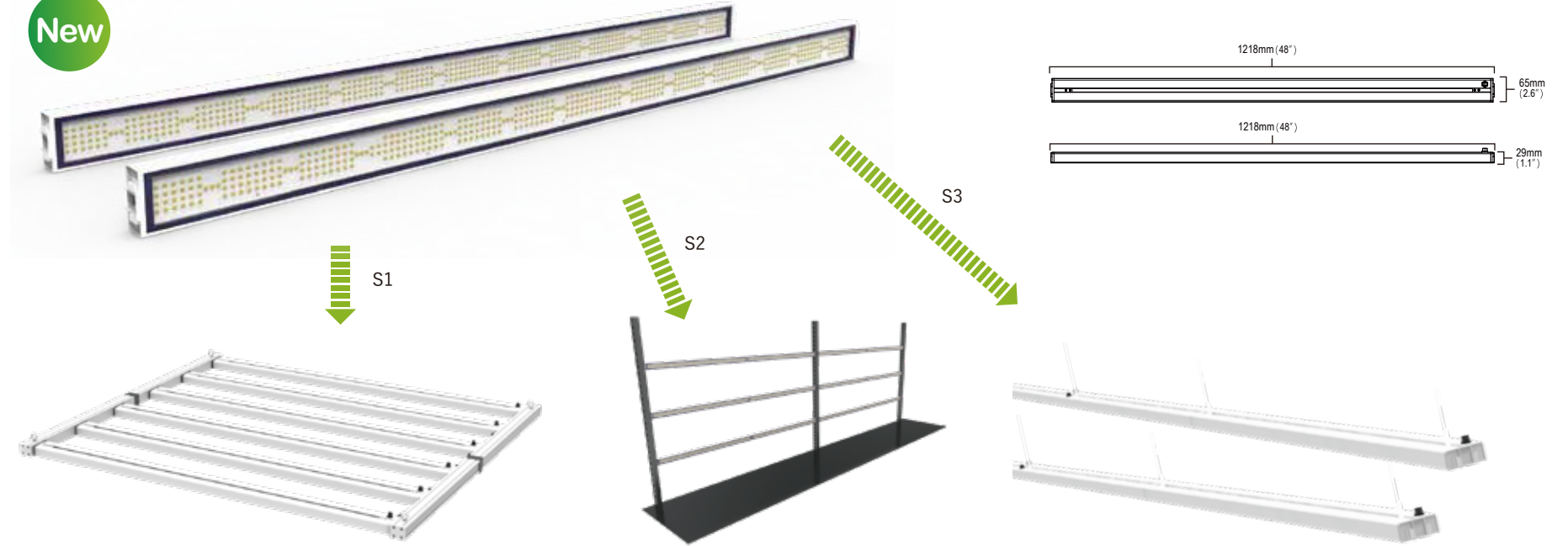


MODEL NUMBER	OUTPUT WATTAGE	PPF (LIGHT OUTPUT)	PAR EFFICACY	INPUT VOLTAGE	DRIVER BRAND	LIGHT SOURCE	DIMMING	POWER FACTOR	MATERIAL	THERMAL MANAGEMENT	MOUNTING HEIGHT	WARRANTY LIFETIME	CERTIFICATIONS	IP RATING
ST-GLT850	850W	2210 $\mu\text{mol/s}$	2.6 $\mu\text{mol/J}$	AC100-277V	Inventronics	Samsung / OSRAM LEDs	0-10V/PWM	>0.95	6063Aluminum	Passive Cooling	$\geq 18"$ (45cm) Above Plant Canopy	5 year / Q90 >36,000hrs	UL8800/ETL/CE/RoHS Standards/DLC Listed	UL 1598, UL8800-Wet location,CE-IP66 rated

LED TRANSFORMER GROW LIGHT



New



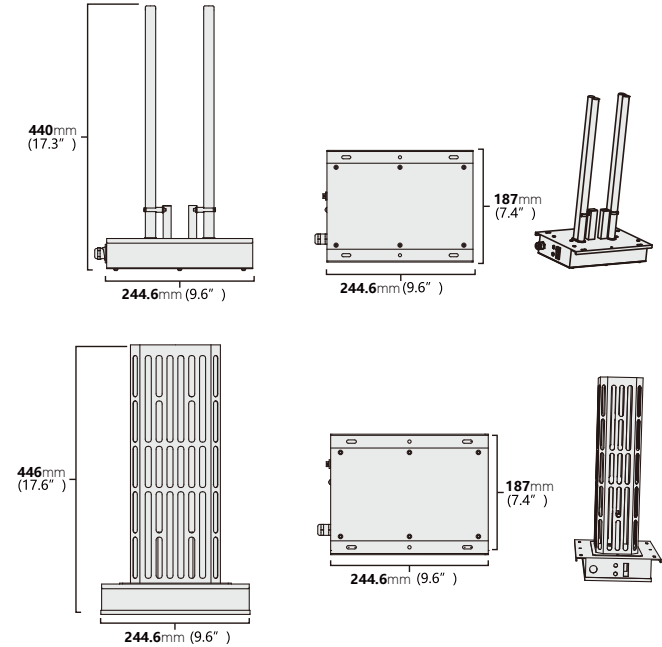
MODEL NUMBER	OUTPUT WATTAGE	PPF (LIGHT OUTPUT)	PAR EFFICACY	INPUT VOLTAGE	DRIVER BRAND	LIGHT SOURCE	DIMMING	POWER FACTOR	MATERIAL	THERMAL MANAGEMENT	WARRANTY LIFETIME	IP RATING
ST-TF200	200W	832 $\mu\text{mol/s}$	2.6 $\mu\text{mol/J}$	AC100-277V	Inventronics	Samsung / OSRAM LEDs	0-10V/PWM	>0.95	6063Aluminum	Passive Cooling	5 year / Q90 >36,000hrs	UL 1598, UL8800-Wet location,CE-IP66 rated

SHINETOO

UVC FOR HVAC

CE | -25°C / +45°C | 5 YEARS WARRANTY

UV-C LIGHT



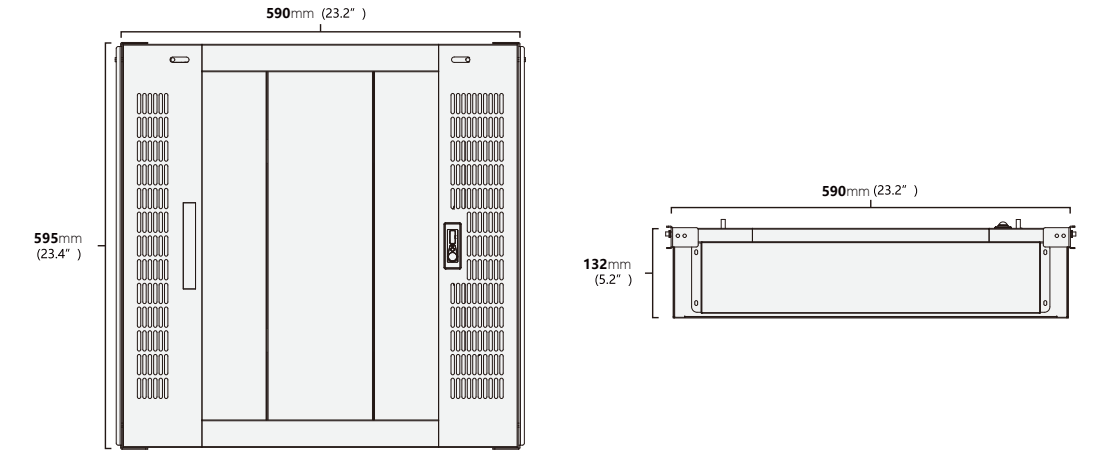
MODEL NUMBER	WATTS	LAMP SOURCE	LAMP QTY	VOLTAGE	TOTAL UV IRRADIANCE	TOTAL UV OUTPUT	LAMP LIFESPAN	BALLAST	AMBIENT OPERATING TEMP	MATERIALS	MOUNTING
ST-UVC-36W -HVAC	36W	254nm UV-C fluorescent lamp (Philips / Osram)	1 lamp	110-120V AC, 50/60Hz / 220-240V AC, 50/60Hz	110 μW/cm ² @ 1Meter	12W	8,000hours	Electronic, PF>0.9	26.7°C / 80°F	304 Stainless Steel (Standard) / Galvanized Metal (Optional)	Partial internal / Air duct mount
ST-UVC-72W -HVAC	72W	254nm UV-C fluorescent lamp (Philips / Osram)	2 lamps	110-120V AC, 50/60Hz / 220-240V AC, 50/60Hz	220 μW/cm ² @ 1Meter	24W	8,000hours	Electronic, PF>0.9	26.7°C / 80°F	304 Stainless Steel (Standard) / Galvanized Metal (Optional)	Partial internal / Air duct mount

SHINETOO

UV-C AIR PURIFIER

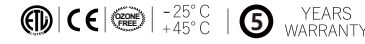
CE | -25°C / +45°C | 5 YEARS WARRANTY

UV-C LIGHT

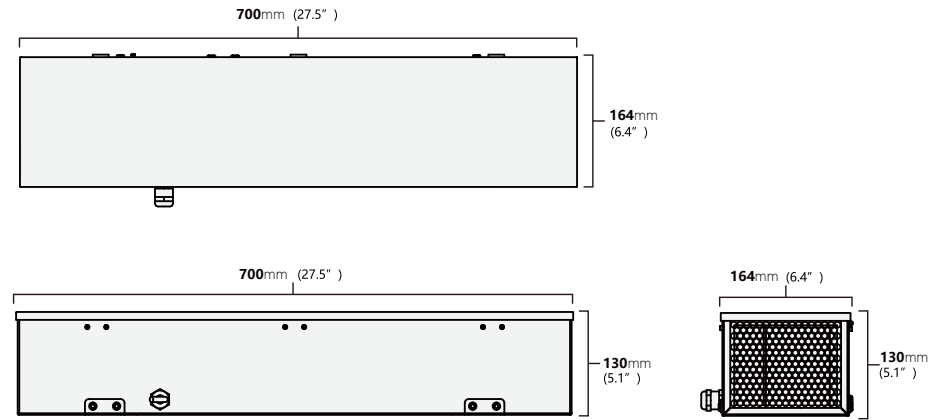


MODEL NUMBER	WATTS	LAMP SOURCE	LAMP QTY	FAN	TOTAL UV IRRADIANCE	TOTAL UV OUTPUT	LAMP LIFESPAN	NOISE LEVEL	AMBIENT OPERATING TEMP	MATERIALS	MOUNTING
ST-UVC -36W-2X2	36W	254nm UV-C fluorescent lamp (Philips / Osram)	1 lamp	25W	110 μW/cm ² @ 1Meter	12W	8,000hours	30-70dB	26.7°C / 80°F	304 Stainless Steel (Standard) / Galvanized Metal (Optional)	Recessed / Hanging

UV-C AIR CONDITIONER 36W



-25°C
+45°C | 5 YEARS WARRANTY

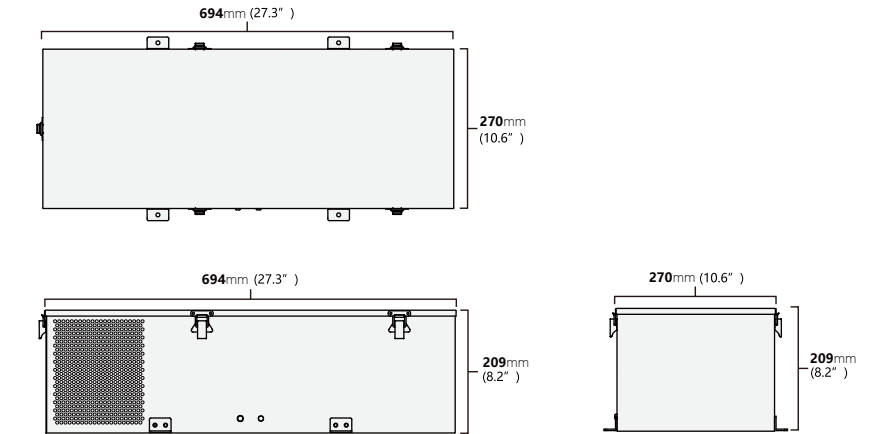


MODEL NUMBER	WATTS	LAMP SOURCE	LAMP QTY	VOLTAGE	TOTAL UV IRRADIANCE	TOTAL UV OUTPUT	LAMP LIFESPAN	BALLAST	AMBIENT OPERATING TEMP	MATERIALS	MOUNTING
ST-UVC-36W-AIR CONDITIONER	36W	254nm UV-C fluorescent lamp (Philips / Osram)	1 lamp	110-120V AC, 50/60Hz / 220-240V AC, 50/60Hz	110 μW/cm ² @ 1Meter	36W	8,000hours	Electronic, PF>0.9	26.7°C / 80°F	304 Stainless Steel (Standard) / Galvanized Metal (Optional)	Wall Mounting

UV-C AIR CONDITIONER 72W

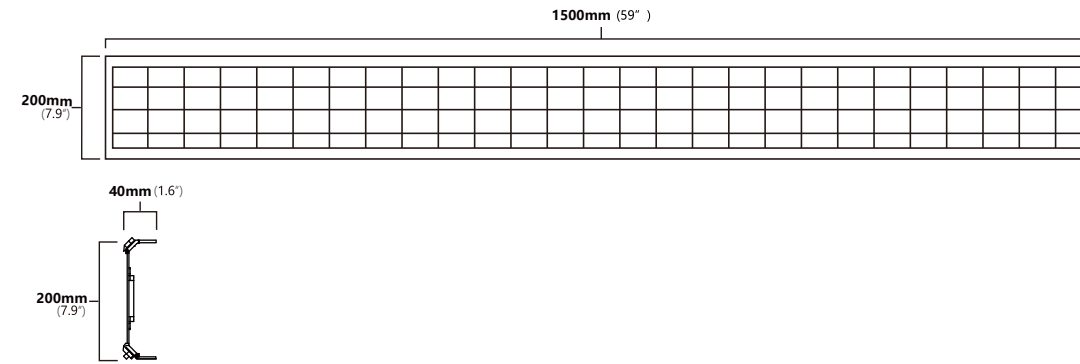
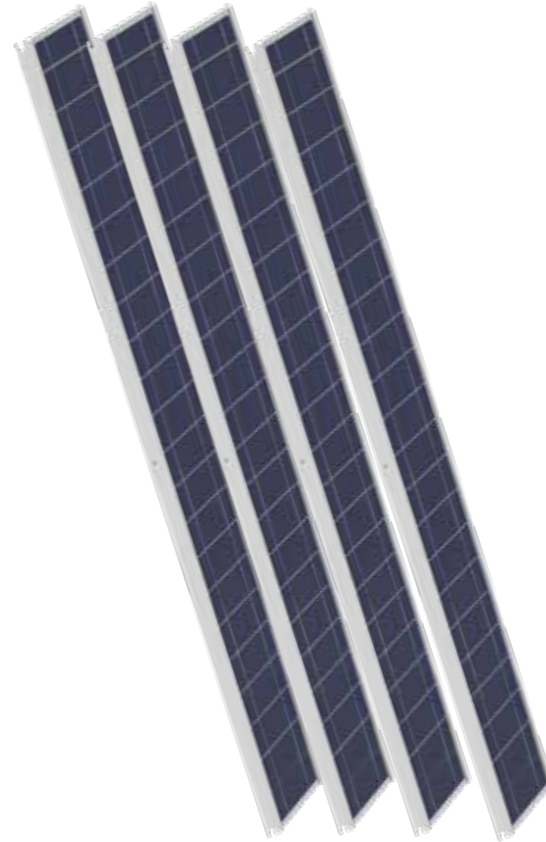


-25°C
+45°C | 5 YEARS WARRANTY



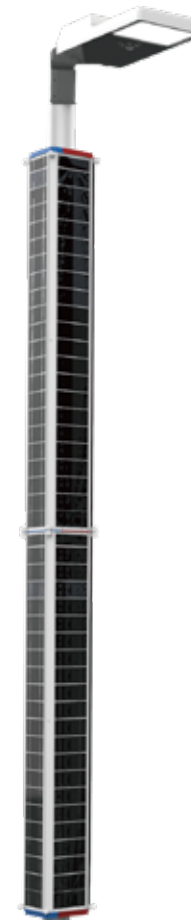
MODEL NUMBER	WATTS	LAMP SOURCE	LAMP QTY	VOLTAGE	TOTAL UV IRRADIANCE	TOTAL UV OUTPUT	LAMP LIFESPAN	BALLAST	AMBIENT OPERATING TEMP	MATERIALS	MOUNTING
ST-UVC-72W-AIR CONDITIONER	72W	254nm UV-C fluorescent lamp (Philips / Osram)	2 lamps	110-120V AC, 50/60Hz / 220-240V AC, 50/60Hz	110 μW/cm ² @ 1Meter	72W	8,000hours	Electronic, PF>0.9	26.7°C / 80°F	304 Stainless Steel (Standard) / Galvanized Metal (Optional)	Wall Mounting

SOLAR LIGHT SOLUTION



MODEL NUMBER	ST-PV160
Dimension	1500mm×200mm×200mm / 59"×7.9"×7.9"
Pmax	160W
Vmp & Imp	18V & 8.88A
Cell type	MONO
Structure materia	Extruction Aluminum housing,die cast holder
Operating temp	-30°C ~ +70°C
Lifetime	More than 10 years
N.W / G.W:	17.5kg

APOLLO



40W

MODEL NUMBER	ST-SL4011
SOLAR LIGHT HEAD	ST-S60
LED LIGHT HEAD	40W
LUMINOUS FLUX(lm)	>8,000lm
POWER OF SOLAR MODULE	160W
VERTICAL SOLAR MODULE	ST-PV160 1PC
BATTERY TYPE	LiNiCoMnO2 Battery Pack 11.1V 85AH
CHARGE CONTROLLER	MPPT
POLE HEIGHT	5 meters
WARRANTY	5 years

80W

MODEL NUMBER	ST-SL8012
SOLAR LIGHT HEAD	ST-S60
LED LIGHT HEAD	80W
LUMINOUS FLUX(lm)	>16,000lm
POWER OF SOLAR MODULE	320W
VERTICAL SOLAR MODULE	ST-PV160 2PC
BATTERY TYPE	LiNiCoMnO2 Battery Pack 11.1V 85AH
CHARGE CONTROLLER	MPPT
POLE HEIGHT	7-8 meters
WARRANTY	5 years

40W × 2

MODEL NUMBER	ST-SL8022
SOLAR LIGHT HEAD	ST-S60
LED LIGHT HEAD	80W
LUMINOUS FLUX(lm)	>16,000lm
POWER OF SOLAR MODULE	320W
VERTICAL SOLAR MODULE	ST-PV160 2PC
BATTERY TYPE	LiNiCoMnO2 Battery Pack 11.1V 85AH
CHARGE CONTROLLER	MPPT
POLE HEIGHT	8 meters
WARRANTY	5 years

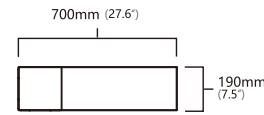
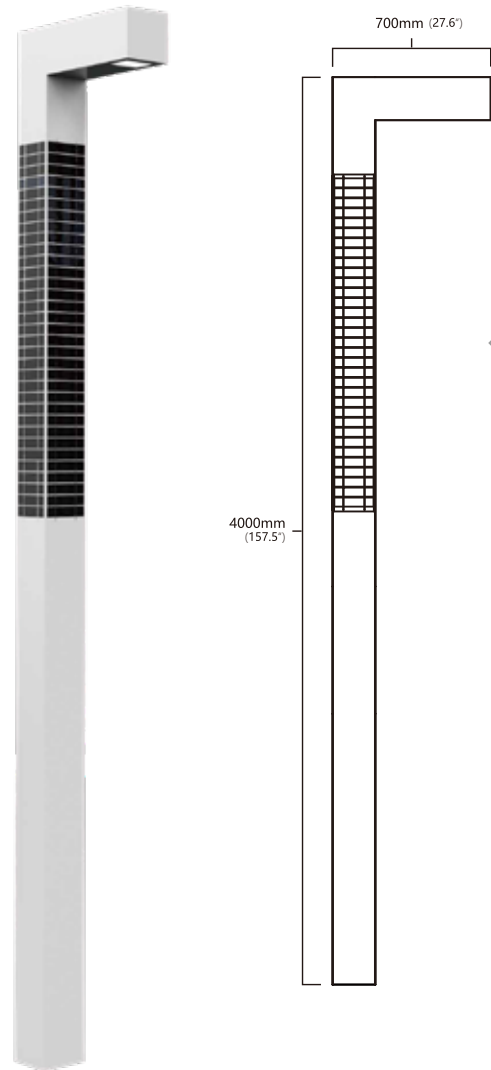
60W × 2

MODEL NUMBER	ST-SL12023
SOLAR LIGHT HEAD	ST-S60
LED LIGHT HEAD	120W
LUMINOUS FLUX(lm)	>24,000lm
POWER OF SOLAR MODULE	480W
VERTICAL SOLAR MODULE	ST-PV160 3PC
BATTERY TYPE	LiNiCoMnO2 Battery Pack 11.1V 85AH
CHARGE CONTROLLER	MPPT
POLE HEIGHT	10 meters
WARRANTY	5 years

80W × 2

MODEL NUMBER	ST-SL16024
SOLAR LIGHT HEAD	ST-S60
LED LIGHT HEAD	160W
LUMINOUS FLUX(lm)	>32,000lm
POWER OF SOLAR MODULE	640W
VERTICAL SOLAR MODULE	ST-PV160 4PC
BATTERY TYPE	LiNiCoMnO2 Battery Pack 11.1V 85AH
CHARGE CONTROLLER	MPPT
POLE HEIGHT	12 meters
WARRANTY	5 years

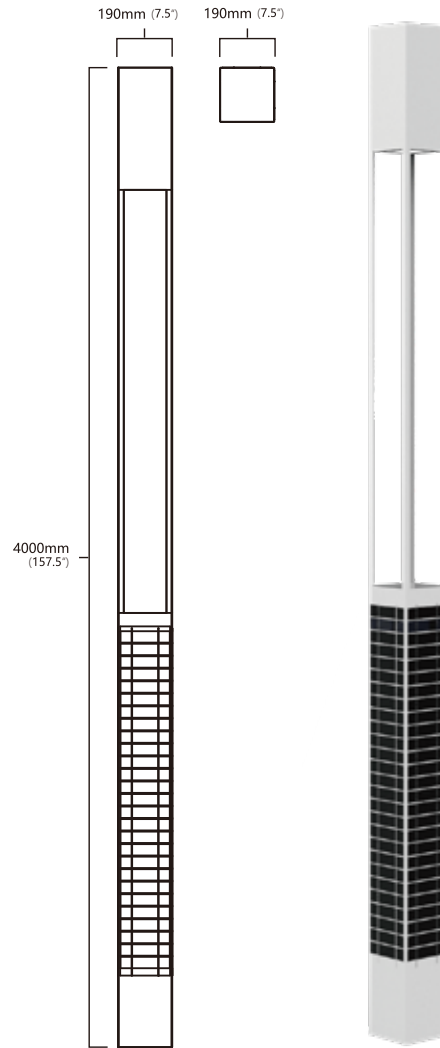
MARS



SOLAR PERFORMANCE PMAX	160 Wp (monocrystalline)
SOLAR MODULE EFFICIENCY	~20 %
LED	30-50W
LED EFFICIENCY	max. 200 lm / W (System)
BATTERY	LiNiCoMnO2 Battery Pack 11.1V 85AH
DIMENSIONS	height 4m

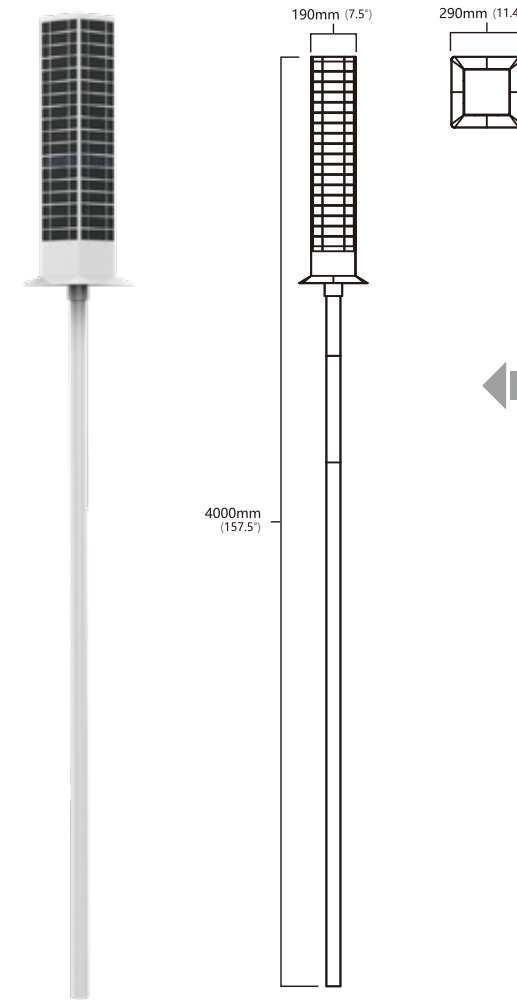
SOLAR PERFORMANCE PMAX	160 Wp (monocrystalline)
SOLAR MODULE EFFICIENCY	~20 %
LED	30-50W
LED EFFICIENCY	max. 200 lm / W (System)
BATTERY	LiNiCoMnO2 Battery Pack 11.1V 85AH
DIMENSIONS	height 4m

MERCURY



4000mm (157.5')

VENUS

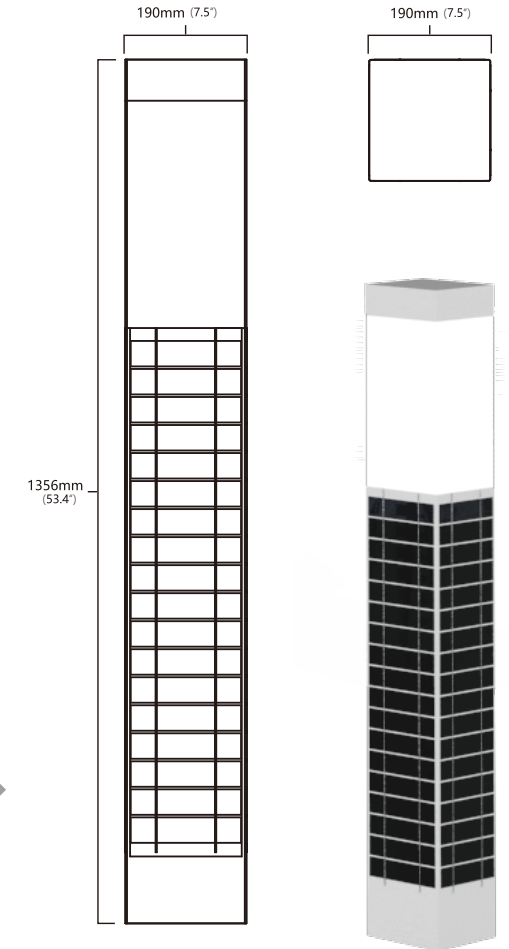


4000mm (157.5')

SOLAR PERFORMANCE PMAX	160 Wp (monocrystalline)
SOLAR MODULE EFFICIENCY	~20 %
LED	30-50W
LED EFFICIENCY	max. 200 lm / W (System)
BATTERY	LiNiCoMnO2 Battery Pack 11.1V 85AH
DIMENSIONS	height 4m

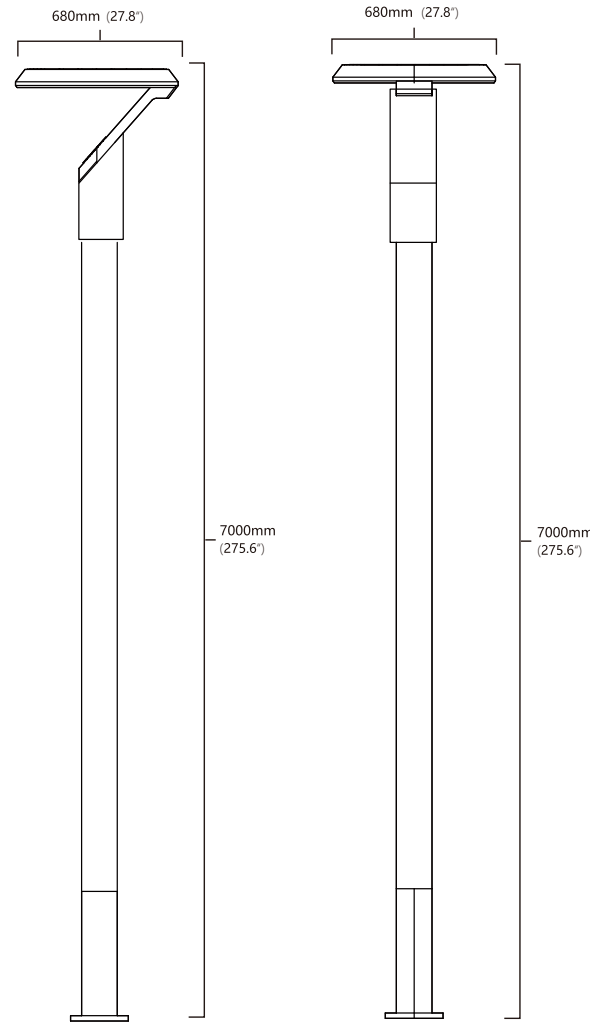
SOLAR PERFORMANCE PMAX	160 Wp (monocrystalline)
SOLAR MODULE EFFICIENCY	~20 %
LED	10-20W
LED EFFICIENCY	max. 200 lm / W (System)
BATTERY	LiNiCoMnO2 Battery Pack
DIMENSIONS	height 1.356m

NEPTUNE



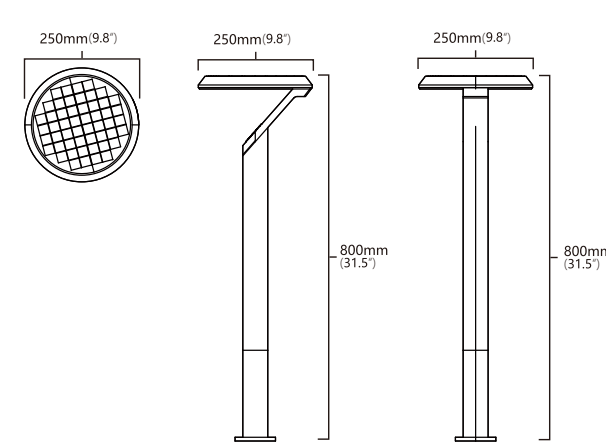
1356mm (53.4')

JUPITER New

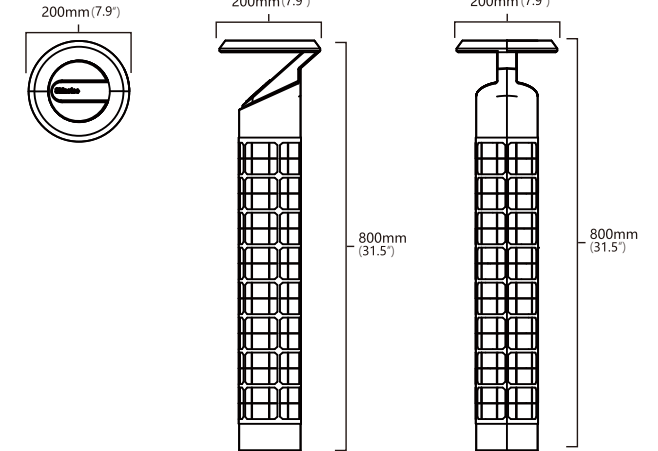
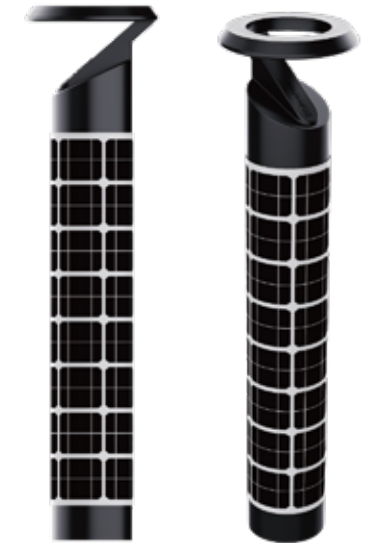


SOLAR PERFORMANCE P_{MAX}	160 Wp (monocrystalline)
SOLAR MODULE EFFICIENCY	~20 %
LED	30-50W
LED EFFICIENCY	max. 200 lm / W (System)
BATTERY	LiNiCoMnO ₂ Battery Pack 11.1V 85AH
DIMENSIONS	height 7m

JUPITER MINI New



SOLAR PERFORMANCE P_{MAX}	160 Wp (monocrystalline)
SOLAR MODULE EFFICIENCY	~20 %
LED	3-15W
LED EFFICIENCY	max. 200 lm / W (System)
BATTERY	LiNiCoMnO ₂ Battery Pack
DIMENSIONS	height 0.8m





Jiaxing Shinetoo Lighting Co.,Ltd

Add:No.258, Xingchang Road, Xincheng Town, Xiuzhou District,
Jiaxing, Zhejiang, China 314015
Tel : +86-573-8350-0001 Fax : +86-573-8350-0005
Mobile : +86-138-1878-3129
Email:Sales@stledlights.com
www.stledlights.com