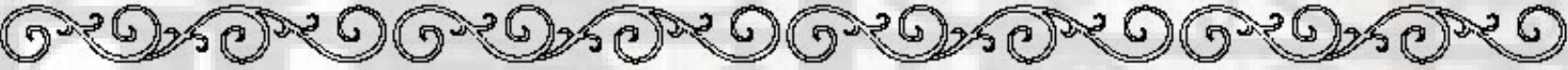




False Balcony Railings

by: Southeastern Ornamental Iron Co, Inc.

"Quality Without Question"



Our False Balcony Railings are the highest quality balconies on the market. They are manufactured in aluminum making them a lifetime product. These railings are also referred to as Faux and Juliet Railings.

We offer custom made unique designs to meet your design requirements or you may choose from our line of pre-designed styles.

Our False Balcony Rails come standard primed and painted with an industrial grade coating. We recommend that ocean front properties are powder coated. Other finishes are available upon request.

We provide Auto CAD details in our "Architects Corner" page for all of our False Balcony Rails. Membership is required to access this page.

All False Balcony Rails are for residential and commercial use. Railings are shown at 36" high to meet residential code requirements and are available at 42" high to meet commercial code requirements.



Residential False Balcony Railing
SEO-FB-04B

When selecting a balcony design, be sure to provide the following:



Residential False Balcony Railing
SEO-FB-42

- (1) Provide height desired. (36" is standard)
- (2) Number of design that corresponds to the the size and style to be quoted.
- (3) Size of the railing required (**L**arge, **M**edium, **S**mall or Custom).
- (4) Optional components available (Refer to "Options" Page)

We provide all stainless steel anchors necessary for installation.

Commercial - Industrial - Residential
CAD Details Provided

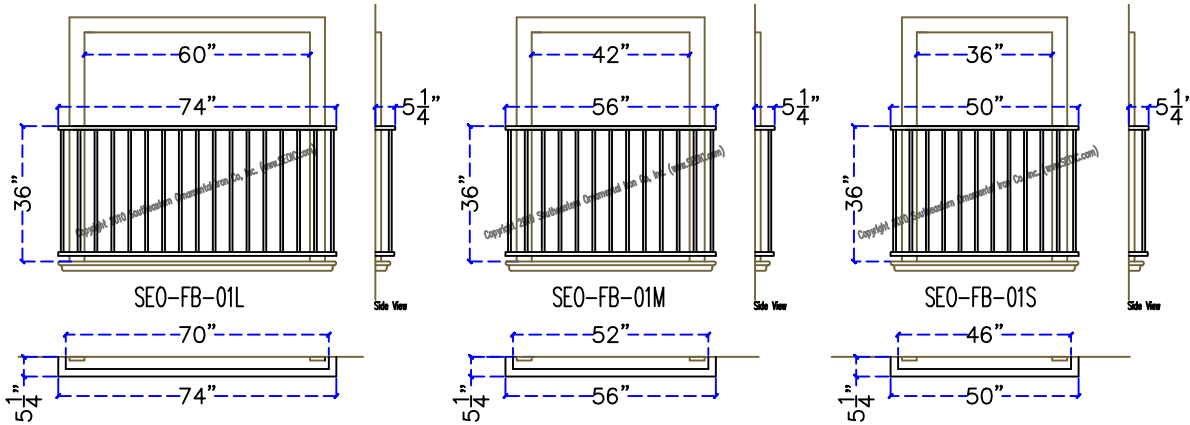
www.SEOIC.com



Jacksonville, FL Tel: (904)292-0933 Fax: (904)292-0588 [Email: metalwork@comcast.net](mailto:metalwork@comcast.net)

False Balcony Railings by: Southeastern Ornamental Iron Co, Inc.

Standard Sizes



Notes:

1). Custom sizes are available for all designs.

2). Planter Shelves and Rings are available for all designs. (See Options Page)

3). All Railings are built to order.

4). Designs may be altered and or mismatched.

5). Distance out from wall must be less than 4" to inside edge of rail to meet building codes unless planter shelf is used.

6). All railings meet building code requirements.

7). All Rails are aluminum construction unless other materials are requested.

All false balcony rails come standard in the sizes above. Due to varying trim widths and thickness, we can build any design to fit your actual requirements.

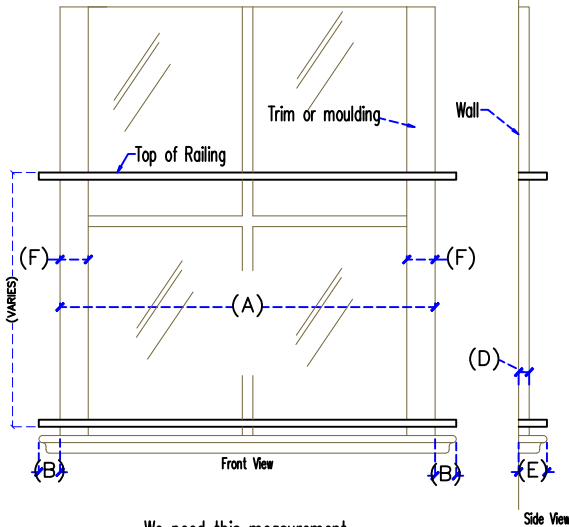
How to order:

- 1) Choose Design (SEO-FB-item #)
- 2) Choose Size (L,M,S, or Custom)
- 3) Choose Color
- 4) Provide Quantity

Example:

SEO-FB-04BC M
 Item # Size

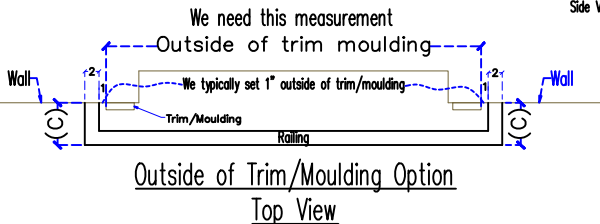
* Please see our line of "True Balconies" if you require a fully functional balcony with railing.



Use this guide in order to provide accurate measurements.

False Balcony Rails may be installed on center of trim if preferred. Make sure to provide width of trim (F) so we can center the railing on the trim.

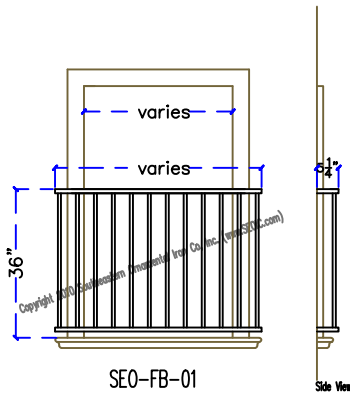
If you have any question, please call us at 904-292-0933 or email us at metalwork@comcast.net.



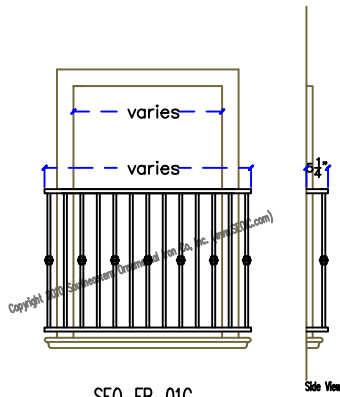
Outside of Trim/Moulding Option
 Top View

| | | | |
|--|----------------------------------|----------------------------------|------|
| <p>Ph: 904-292-0933 Fx: 904-292-0588 www.SEOIC.com</p> | False Balcony Railing Designs | Information | Info |
| | | Date: 05/27/11 Note: AS NOTED | |

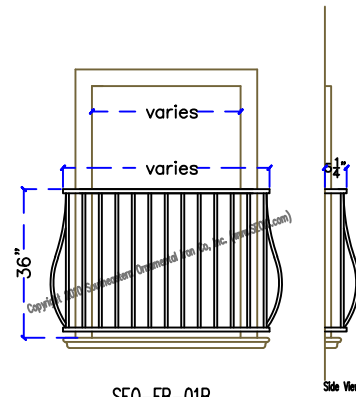
False Balcony Railings by: Southeastern Ornamental Iron Co, Inc.



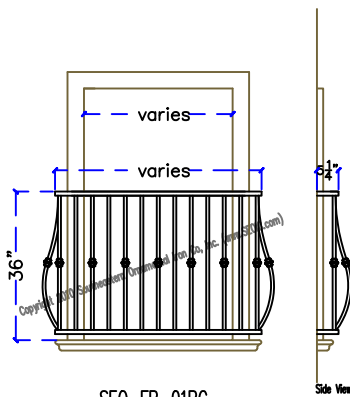
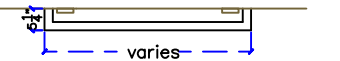
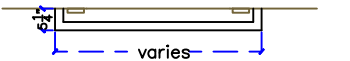
SEO-FB-01



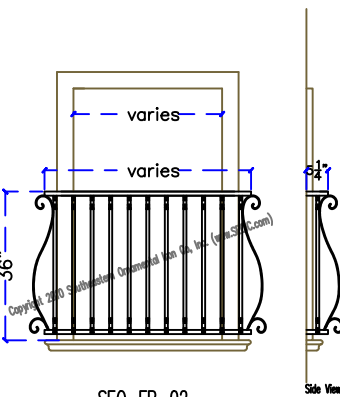
SEO-FB-01C



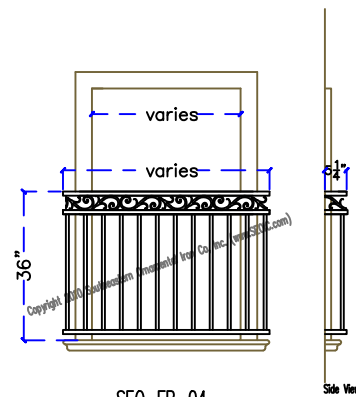
SEO-FB-01B



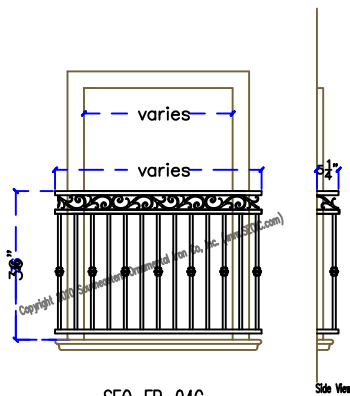
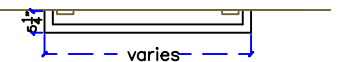
SEO-FB-01BC



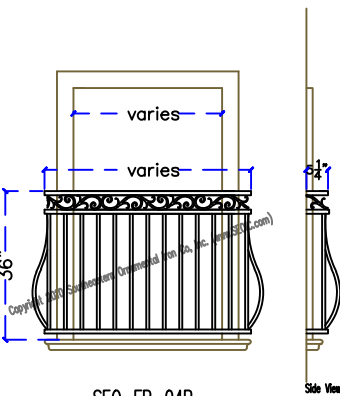
SEO-FB-02



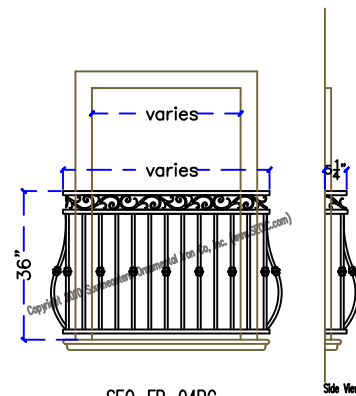
SEO-FB-04



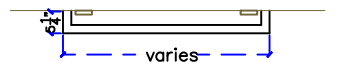
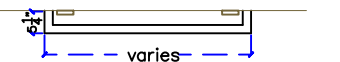
SEO-FB-04C



SEO-FB-04B




SEO-FB-04BC

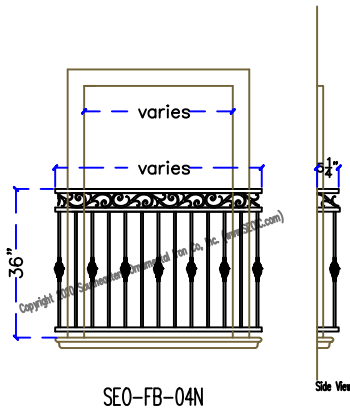


Notes:

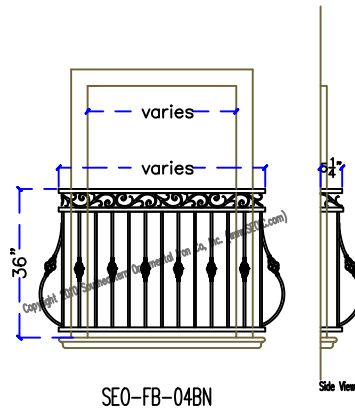
- 1). Custom sizes are available for all designs.
- 2). Planter Shelves and Rings are available for all designs.(See Options Page)
- 3). All Railings are built to order.
- 4). Designs may be altered and or mismatched.
- 5). Distance out from wall must be less than 4" to inside edge of rail to meet building codes unless planter shelf is used.
- 6). All railings meet building code requirements.
- 7). All Rails are aluminum construction unless other materials are requested.

| | | | |
|--|----------------------------------|--------------------------------|----|
|  Ph: 904-292-0933 Fx: 904-292-0588 www.SEOIC.com | False Balcony Railing Designs | Front & Side Elevations | 01 |
| | | DATE: 05/27/11 BY: AS NOTED | |

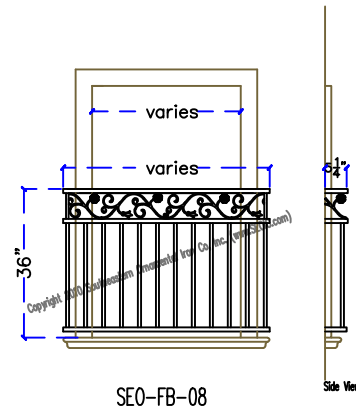
False Balcony Railings by: Southeastern Ornamental Iron Co, Inc.



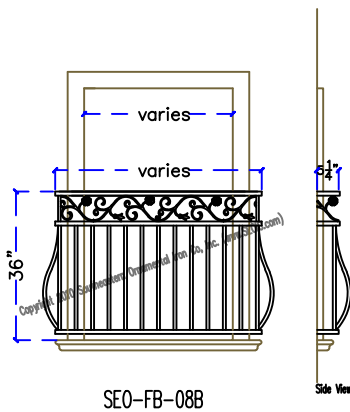
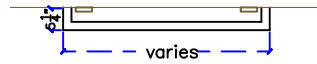
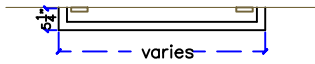
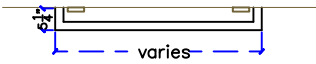
SEO-FB-04N



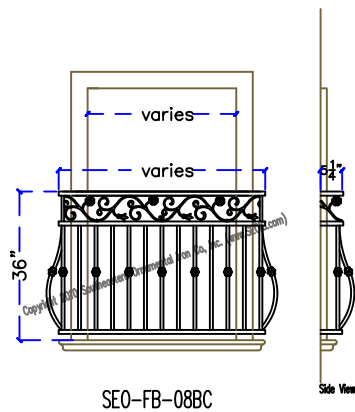
SEO-FB-04BN



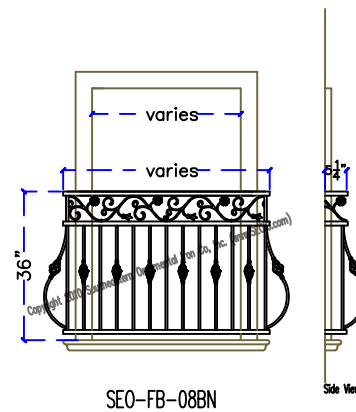
SEO-FB-08



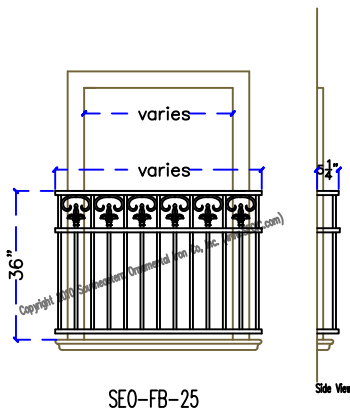
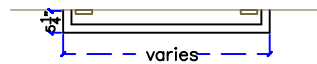
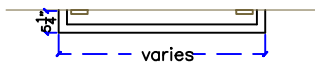
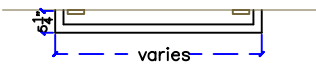
SEO-FB-08B



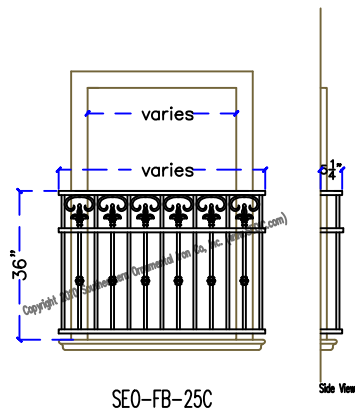
SEO-FB-08BC



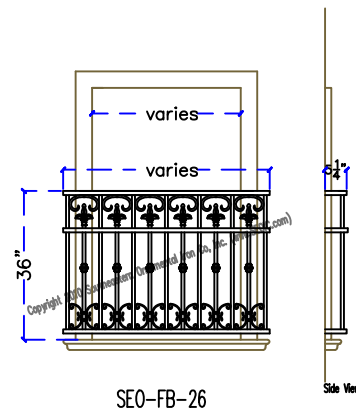
SEO-FB-08BN



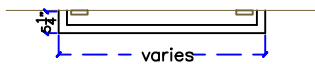
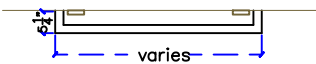
SEO-FB-25



SEO-FB-25C




SEO-FB-26

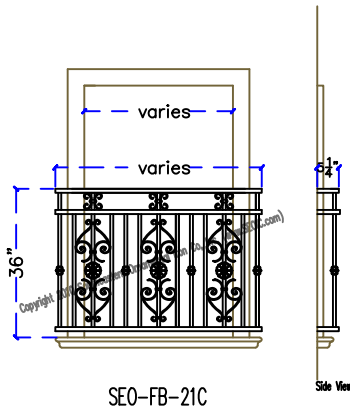


Notes:

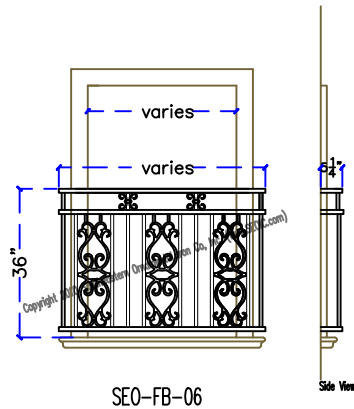
- 1). Custom sizes are available for all designs.
- 2). Planter Shelves and Rings are available for all designs. (See Options Page)
- 3). All Railings are built to order.
- 4). Designs may be altered and or mismatched.
- 5). Distance out from wall must be less than 4" to inside edge of rail to meet building codes unless planter shelf is used.
- 6). All railings meet building code requirements.
- 7). All Rails are aluminum construction unless other materials are requested.

| | | | |
|--|----------------------------------|--------------------------------|----|
|  Ph: 904-292-0933 Fx: 904-292-0588 www.SEOIC.com | False Balcony Railing Designs | Front & Side Elevations | 02 |
| | | DATE: 05/27/11 BY: AS NOTED | |

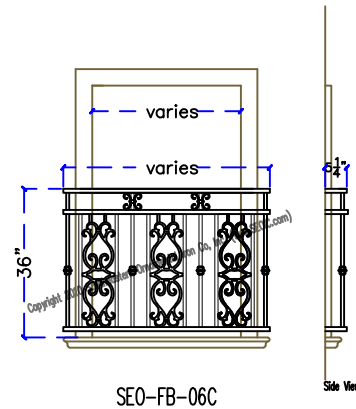
False Balcony Railings by: Southeastern Ornamental Iron Co, Inc.



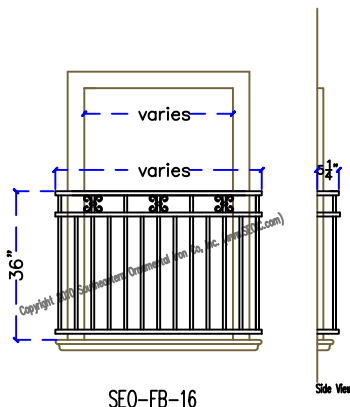
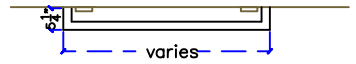
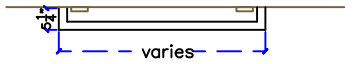
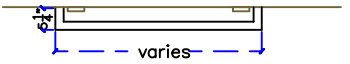
SEO-FB-21C



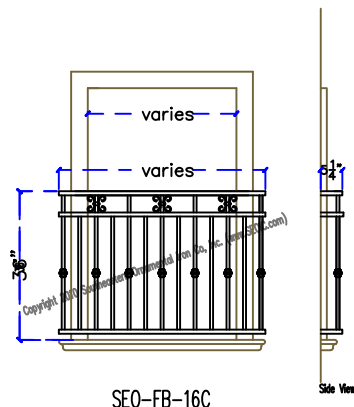
SEO-FB-06



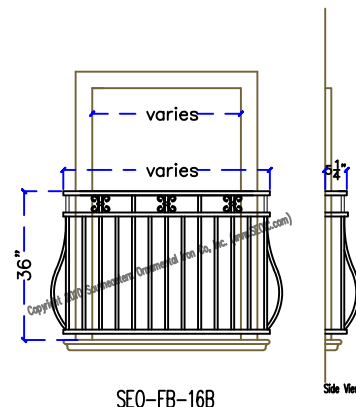
SEO-FB-06C



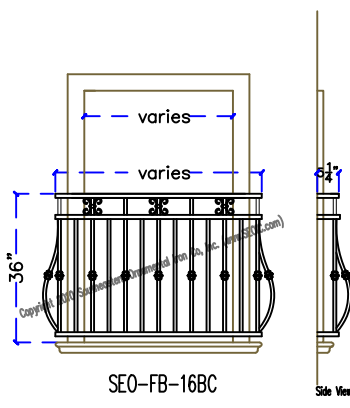
SEO-FB-16



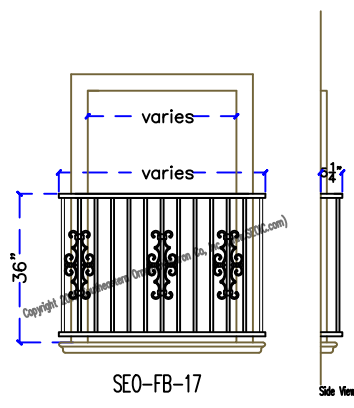
SEO-FB-16C



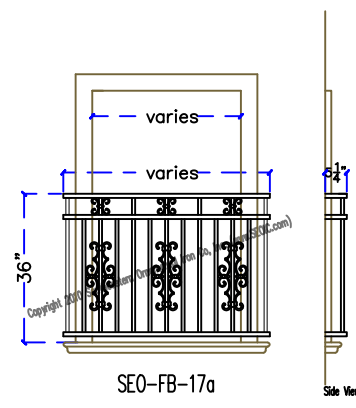
SEO-FB-16B



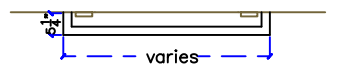
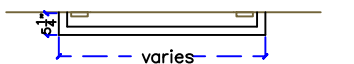
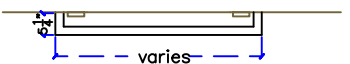
SEO-FB-16BC



SEO-FB-17




SEO-FB-17a

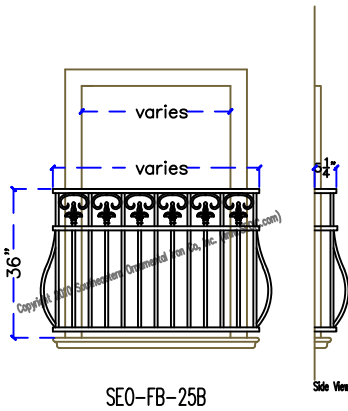


Notes:

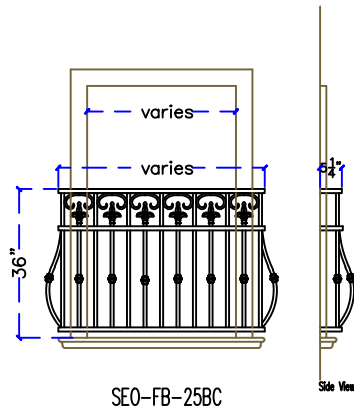
- 1). Custom sizes are available for all designs.
- 2). Planter Shelves and Rings are available for all designs.(See Options Page)
- 3). All Railings are built to order.
- 4). Designs may be altered and or mismatched.
- 5). Distance out from wall must be less than 4" to inside edge of rail to meet building codes unless planter shelf is used.
- 6). All railings meet building code requirements.
- 7). All Rails are aluminum construction unless other materials are requested.

| | | | |
|--|----------------------------------|----------------------------|----|
|  <p>Ph: 904-292-0933 Fx: 904-292-0588 www.SEOIC.com</p> | False Balcony Railing Designs | Front & Side Elevations | 04 |
| | | Date: 05/27/11 | |
| | | Note: AS NOTED | |

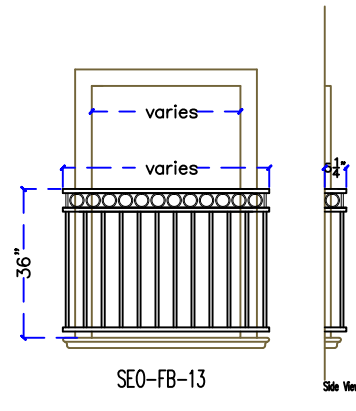
False Balcony Railings by: Southeastern Ornamental Iron Co, Inc.



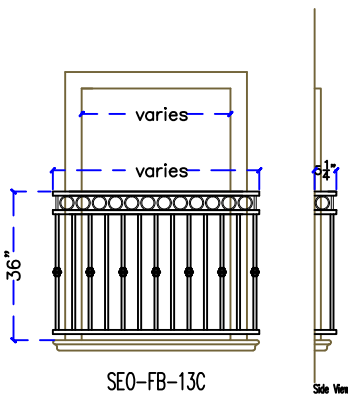
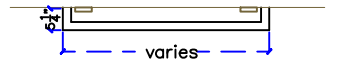
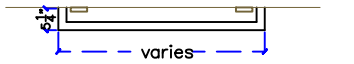
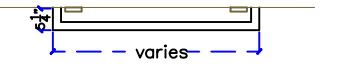
SEO-FB-25B



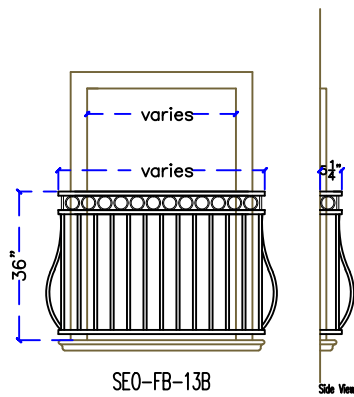
SEO-FB-25BC



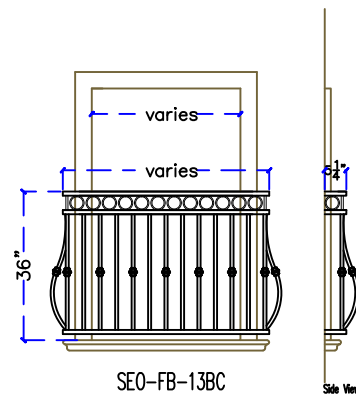
SEO-FB-13



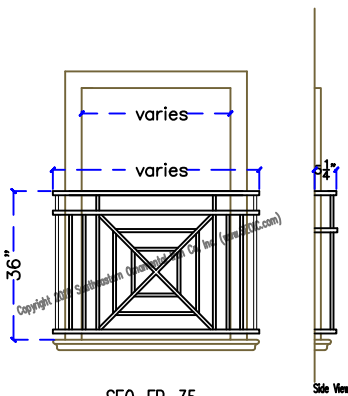
SEO-FB-13C



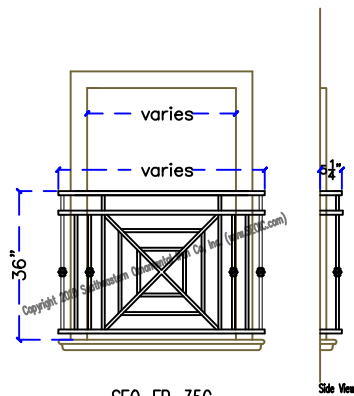
SEO-FB-13B



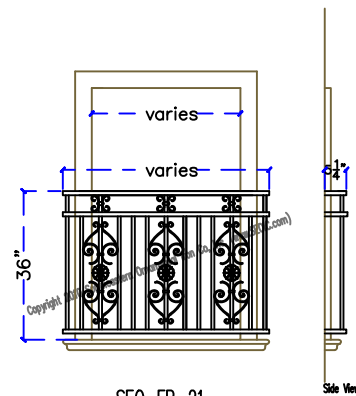
SEO-FB-13BC



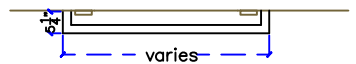
SEO-FB-35



SEO-FB-35C




SEO-FB-21

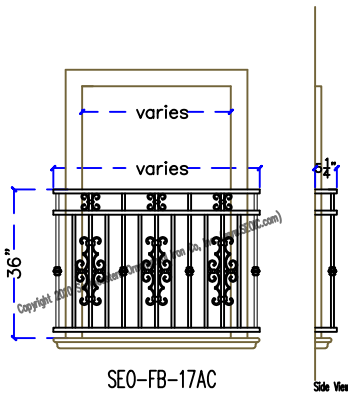


Notes:

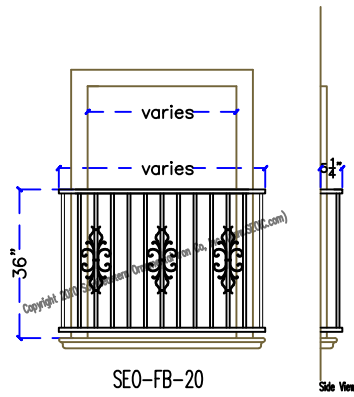
- 1). Custom sizes are available for all designs.
- 2). Planter Shelves and Rings are available for all designs.(See Options Page)
- 3). All Railings are built to order.
- 4). Designs may be altered and or mismatched.
- 5). Distance out from wall must be less than 4" to inside edge of rail to meet building codes unless planter shelf is used.
- 6). All railings meet building code requirements.
- 7). All Rails are aluminum construction unless other materials are requested.

| | | | |
|--|----------------------------------|--------------------------------|----|
|  Ph: 904-292-0933 Fx: 904-292-0588 www.SEOIC.com | False Balcony Railing Designs | Front & Side Elevations | 03 |
| | | DATE: 05/27/11 BY: AS NOTED | |

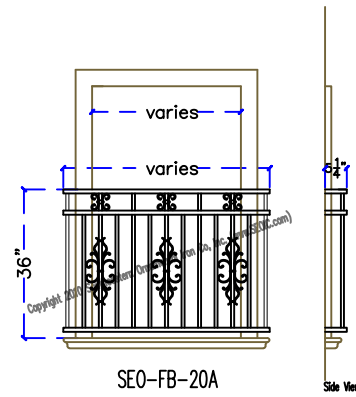
False Balcony Railings by: Southeastern Ornamental Iron Co., Inc.



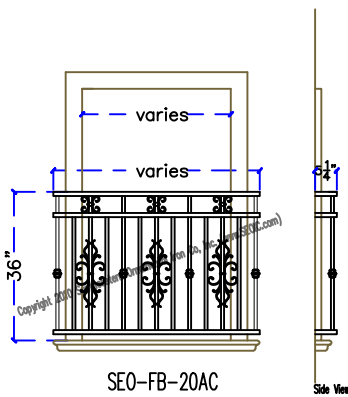
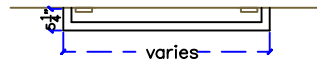
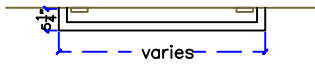
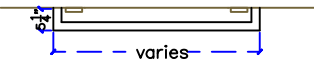
SEO-FB-17AC



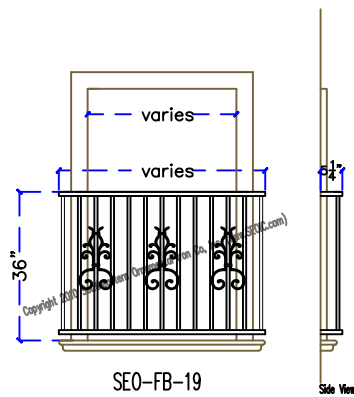
SEO-FB-20



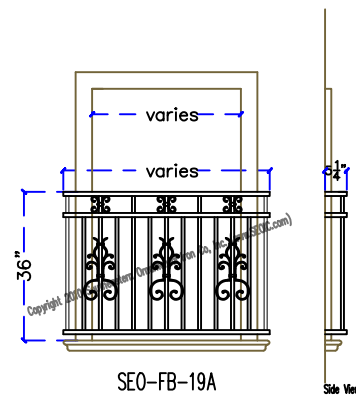
SEO-FB-20A



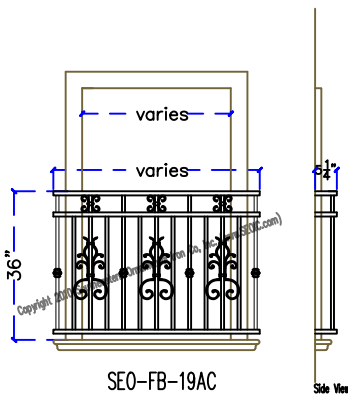
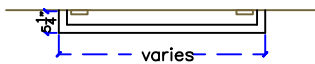
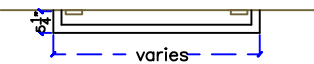
SEO-FB-20AC



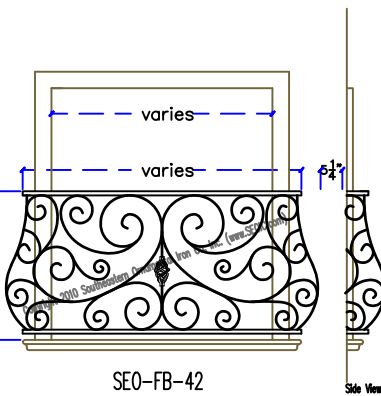
SEO-FB-19



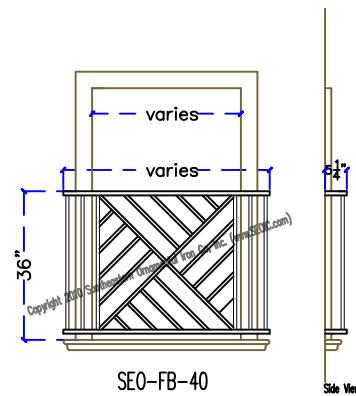
SEO-FB-19A



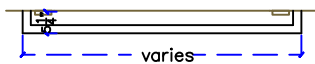
SEO-FB-19AC



SEO-FB-42




SEO-FB-40



Notes:

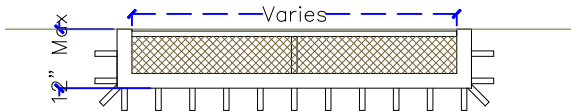
- 1). Custom sizes are available for all designs.
- 2). Planter Shelves and Rings are available for all designs. (See Options Page)
- 3). All Railings are built to order.
- 4). Designs may be altered and or mismatched.
- 5). Distance out from wall must be less than 4" to inside edge of rail to meet building codes unless planter shelf is used.
- 6). All railings meet building code requirements.
- 7). All Rails are aluminum construction unless other materials are requested.

| | | | |
|--|----------------------------------|--------------------------------|----|
|  Ph: 904-292-0933 Fx: 904-292-0588 www.SEOIC.com | False Balcony Railing Designs | Front & Side Elevations | 05 |
| | | DATE: 05/27/11 BY: AS NOTED | |

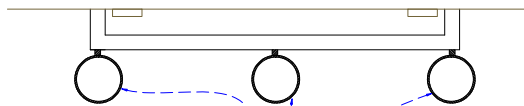
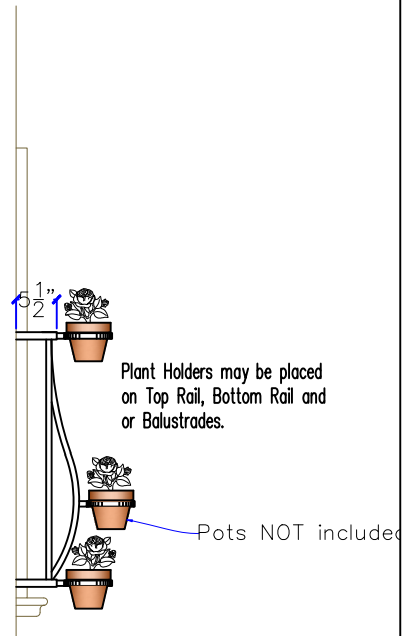
False Balcony Railings by: Southeastern Ornamental Iron Co, Inc.



Container NOT included




Planter Shelf



Accepts a 6"Ø Pot

Flower Pot Holders

- Notes:
- 1). Custom sizes are available for all designs.
 - 2). Planter Shelves and Rings are available for all designs. (See Options Page)
 - 3). All Railings are built to order.
 - 4). Designs may be altered.
 - 5). Distance out from wall must be less than 4" to inside edge of rail to meet building codes unless planter shelf is used.
 - 6). All railings meet building code requirements.
 - 7). All Rails are aluminum construction unless other materials are requested.

| | | | |
|--|----------------------------------|----------------------------------|---------|
|  Ph: 904-292-0933 Fx: 904-292-0588 www.SEOIC.com | False Balcony Railing Designs | Front & Side Elevations | Options |
| | | Date: 05/27/11 Note: AS NOTED | |