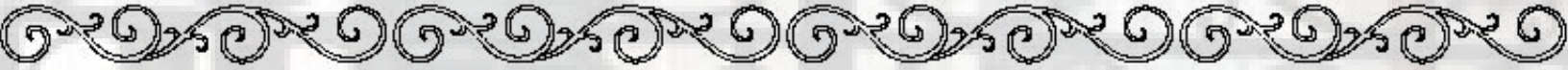




# True Balconies

by: Southeastern Ornamental Iron Co, Inc.  
"Quality Without Question"



Our balconies can reduce the cost of construction by eliminating the process associated with constructing and waterproofing a balcony. Our "True Balconies" are the highest quality balconies on the market. Our balconies are manufactured in aluminum making them a lifetime product.

We offer custom made unique designs to suit your taste or you may choose from our line of pre-designed styles. To reduce to cost of shipping our Balconies can be shipped ready to assemble. Fully assembled units are also available.

When purchasing a "True Balcony" customers receive a decorative upgrade that is fully functional as well as providing an outdoor experience.

Our True Balconies come standard with a powder coated finish. Other finishes are available upon request.

We provide Auto CAD details in our "Architects Corner" page for all of our "True Balconies". Membership is required to access this page.

All "True Balconies" are for residential and commercial use. Balconies are shown at 36" high to meet residential code requirements and are available at 42" high to meet commercial code requirements.



Residential Home Jacksonville, FL



Commercial Building Indianapolis, IN

When selecting a balcony design, be sure to provide the following:

- (1) Provide height desired.
- (2) Number of design that corresponds to the the size and style to be quoted.
- (3) Size of the distance out from building (**Large, Medium, or Small**).
- (4) Style of Bracket.
- (5) Rectangular or Radius (Curved).
- (6) Optional components available (Refer to "Options" Page)

*We provide all assembly hardware necessary.*

*Anchor hardware is to be provided by installer.*

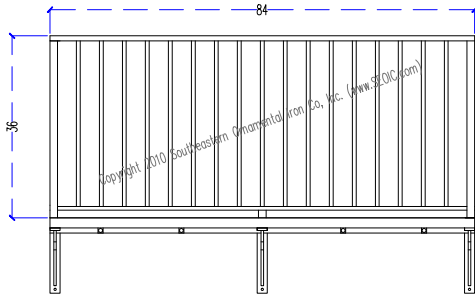
Commercial - Industrial - Residential  
CAD Details Provided

[www.SEOIC.com](http://www.SEOIC.com)

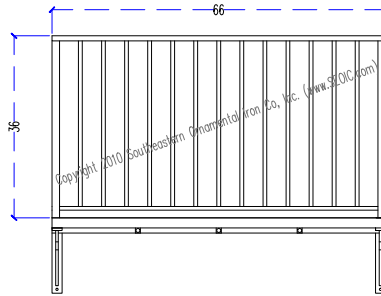


Jacksonville, FL Tel: (904)292-0933 Fax: (904)292-0588 [Email: metalwork@comcast.net](mailto:metalwork@comcast.net)

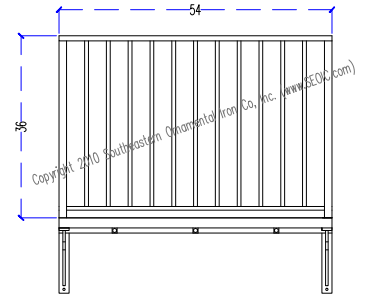
# True Balconies By: Southeastern Ornamental Iron Co, Inc.



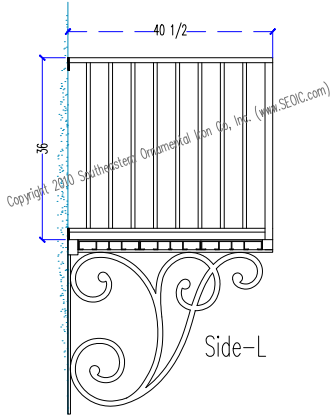
SEO-TB-01L



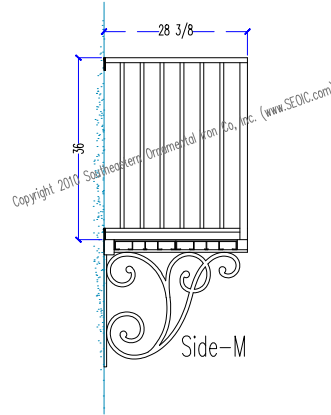
SEO-TB-01M



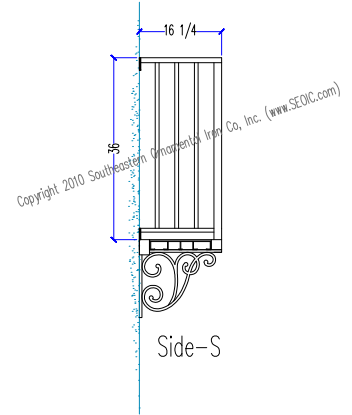
SEO-TB-01S



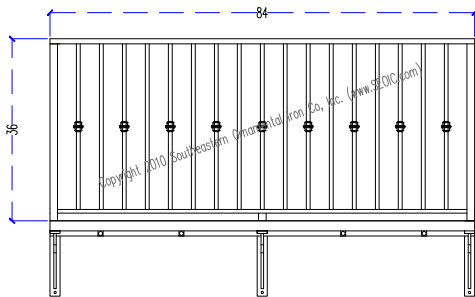
Side-L



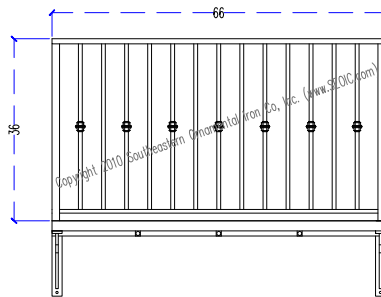
Side-M



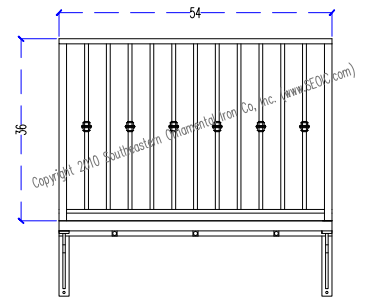
Side-S



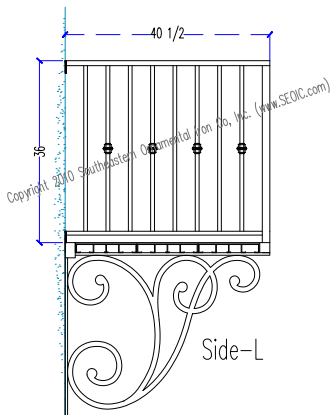
SEO-TB-01CL



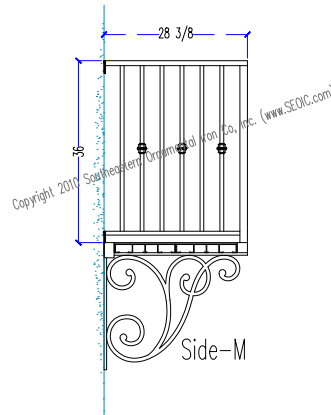
SEO-TB-01CM



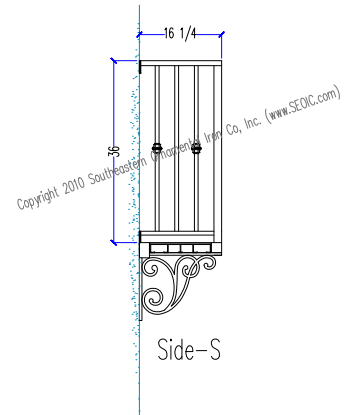
SEO-TB-01CS



Side-L



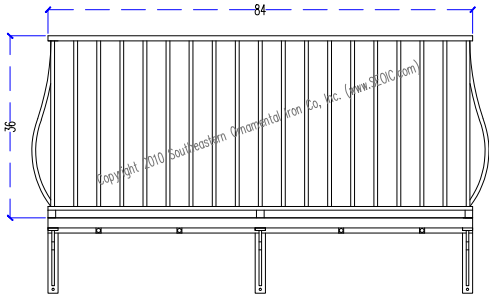
Side-M



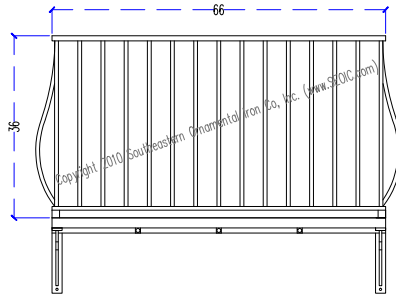
Side-S

<p>Ph: 904-292-0933                  Fx: 904-292-0588                  www.SEOIC.com</p>	Sign Name and Address True Balcony Designs	Title Front & Side Elevations	Project TB-01
		Date 23-Sep-10	
		Scale NTS	

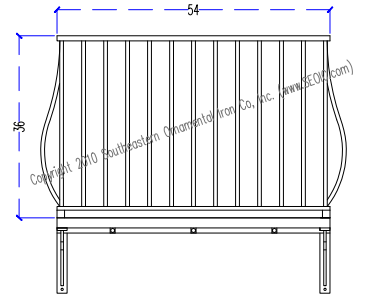
# True Balconies By: Southeastern Ornamental Iron Co, Inc.



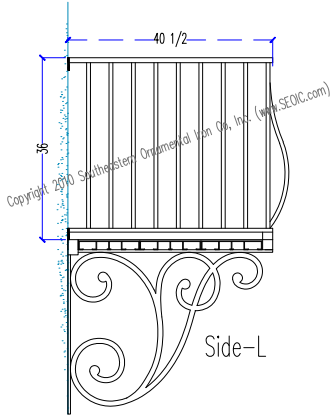
SEO-TB-01BL



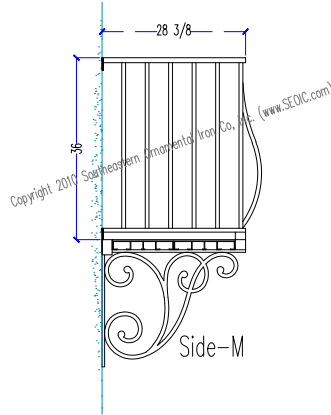
SEO-TB-01BM



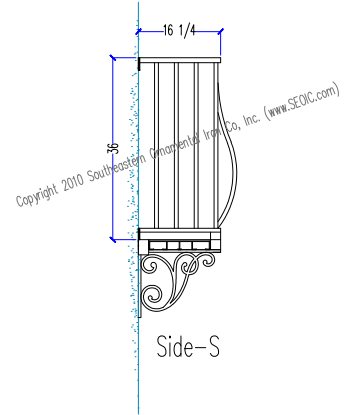
SEO-TB-01BS



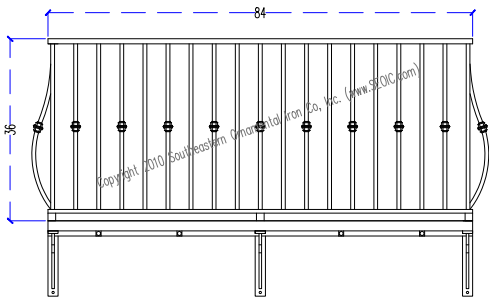
Side-L



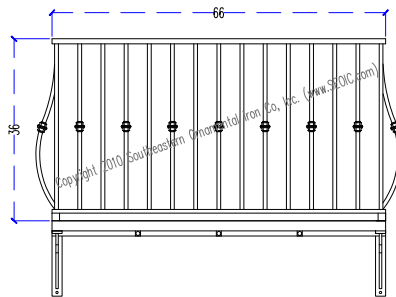
Side-M



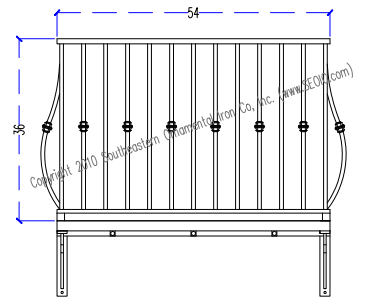
Side-S



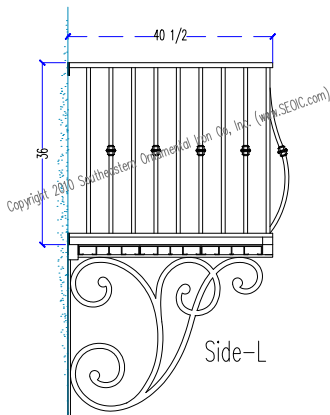
SEO-TB-01BCL



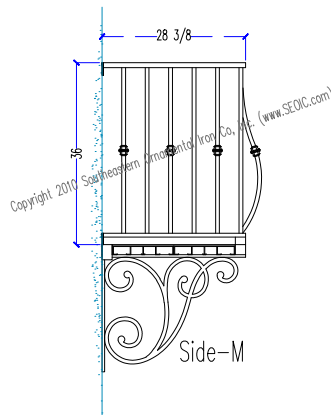
SEO-TB-01BCM



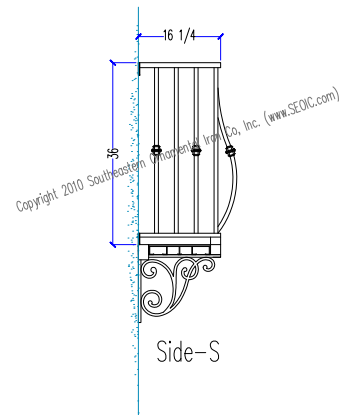
SEO-TB-01BCS



Side-L



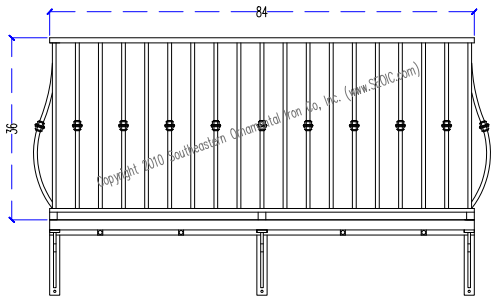
Side-M



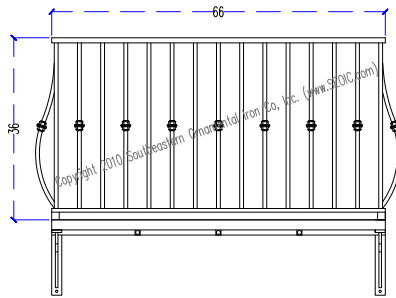
Side-S

<p>Ph: 904-292-0933                  Fx: 904-292-0588                  www.SEOIC.com</p>	Sign Name and Address True Balcony Designs	Front & Side Elevations		TB-02	
		Date: 23-Sep-10			
		Scale: NTS			

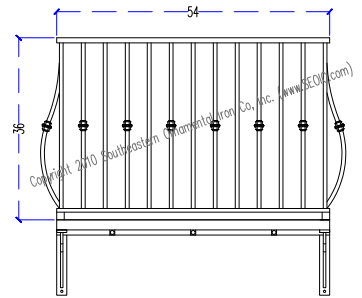
# True Balconies By: Southeastern Ornamental Iron Co, Inc.



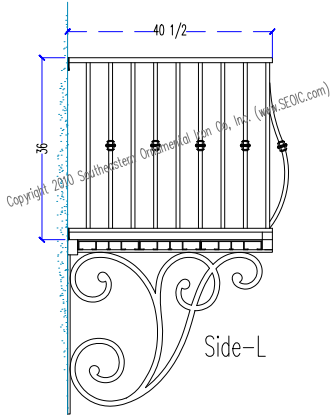
SEO-TB-01BCL



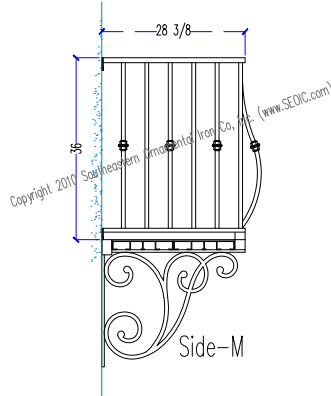
SEO-TB-01BCM



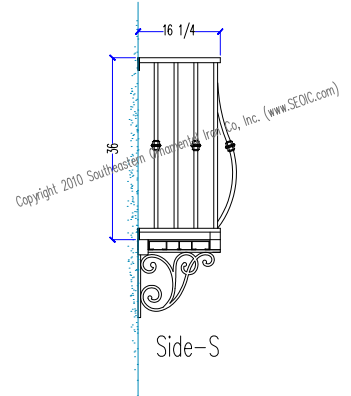
SEO-TB-01BCS



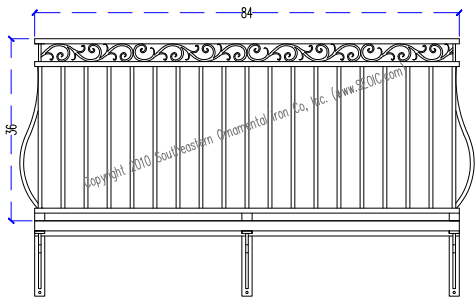
Side-L



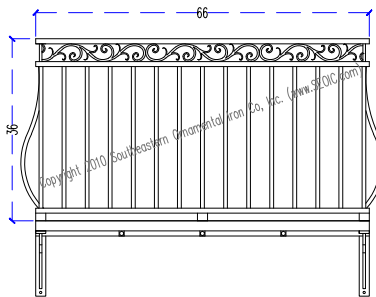
Side-M



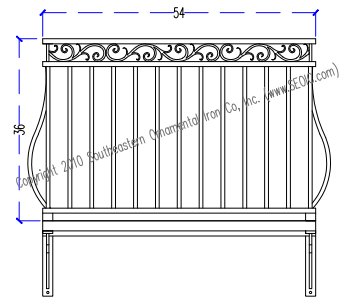
Side-S



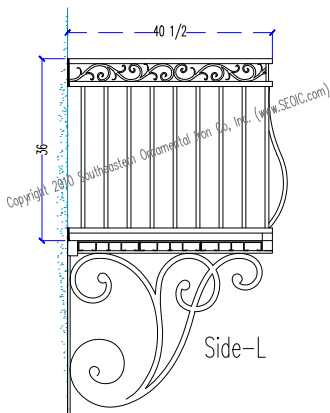
SEO-TB-04BL



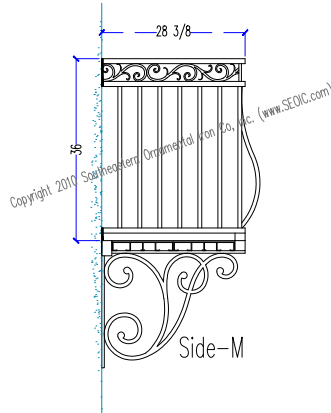
SEO-TB-04BM



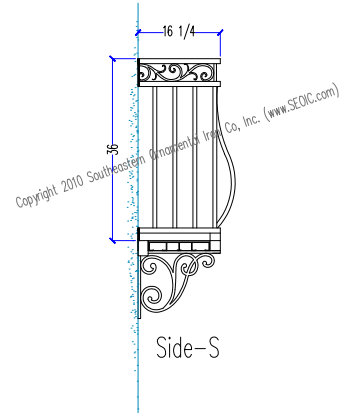
SEO-TB-04BS




Side-L



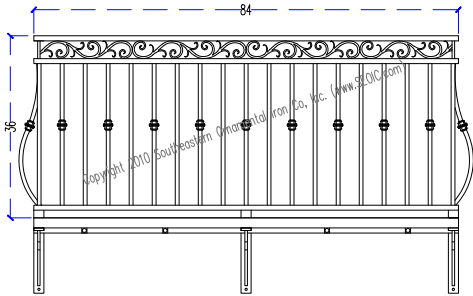
Side-M



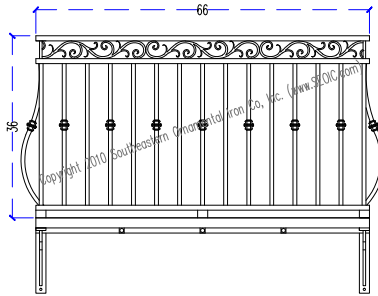
Side-S

 Ph: 904-292-0933 Fx: 904-292-0588 www.SEOIC.com	True Balcony Designs	Front & Side Elevations		TB-03
		Date: 23-Sep-10	NTS	

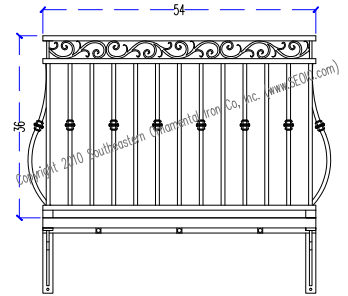
# True Balconies By: Southeastern Ornamental Iron Co, Inc.



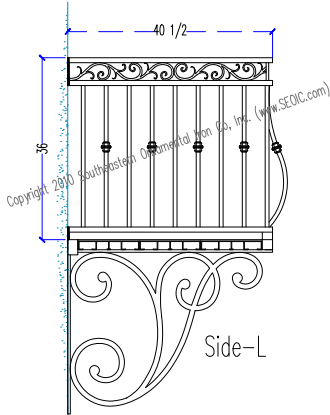
SEO-TB-04BCL



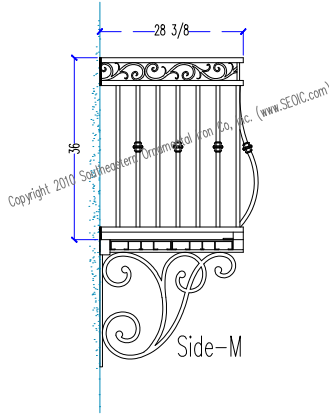
SEO-TB-04BCM



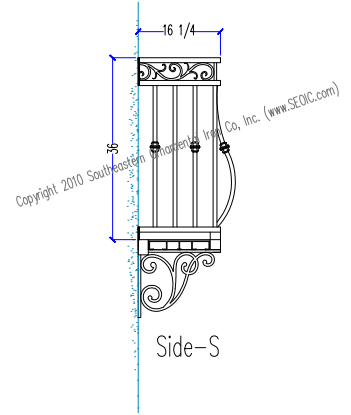
SEO-TB-04BCS



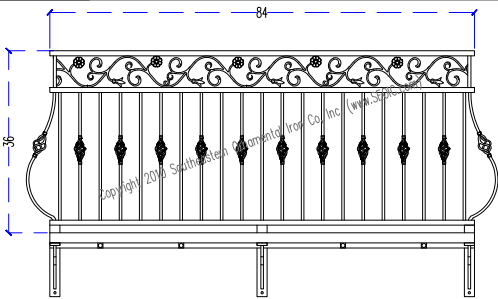
Side-L



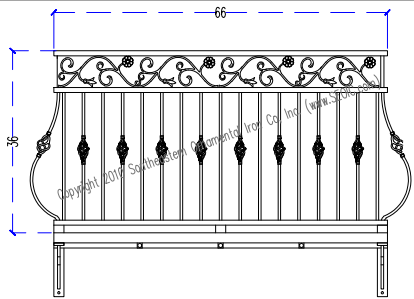
Side-M



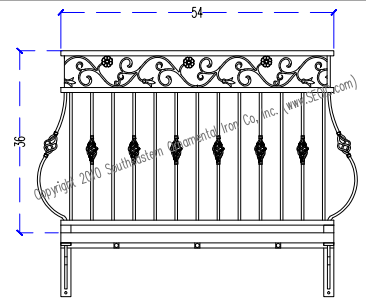
Side-S



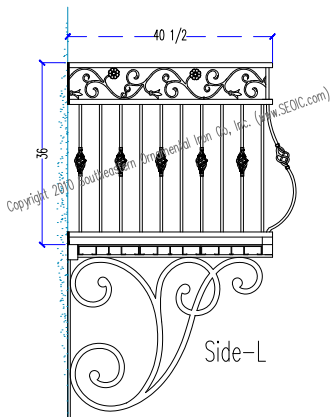
SEO-TB-08BL



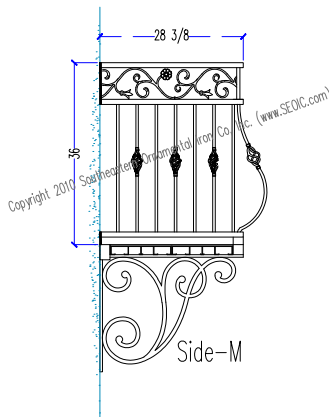
SEO-TB-08BM



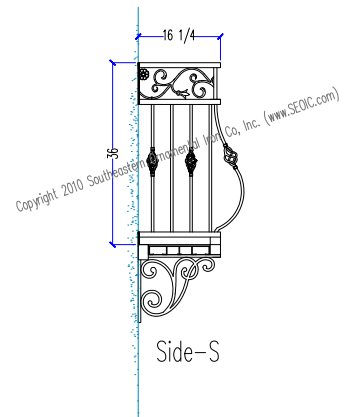
SEO-TB-08BS




Side-L



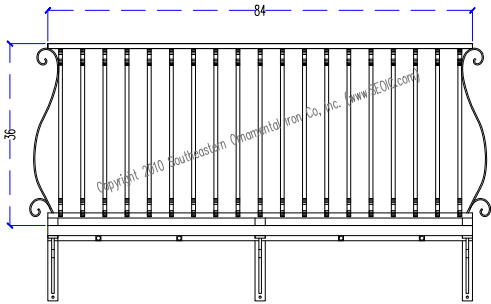
Side-M



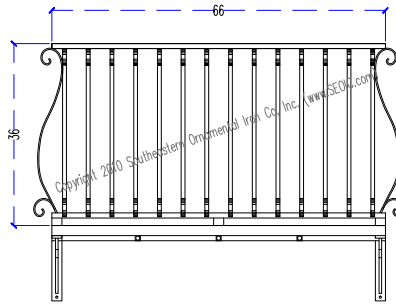
Side-S

 <p>Ph: 904-292-0933 F: 904-292-0588 www.SEOIC.com</p>	<p>Sign Name and Address</p> <p>True Balcony Designs</p>	<p>Front &amp; Side Elevations</p>		<p>TB-04</p>
		<p>Date: 23-Sep-10</p> <p>Scale: NTS</p>		

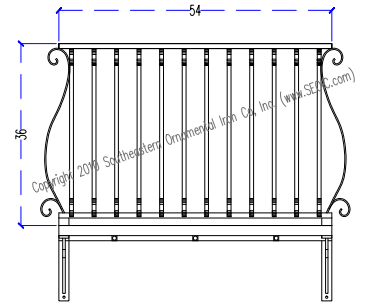
# True Balconies By: Southeastern Ornamental Iron Co, Inc.



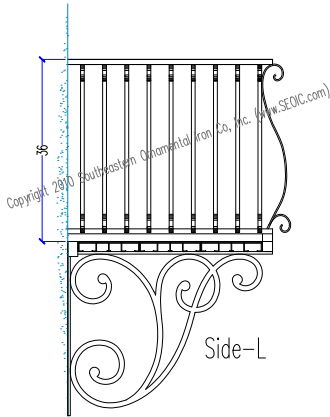
SEO-TB-02L



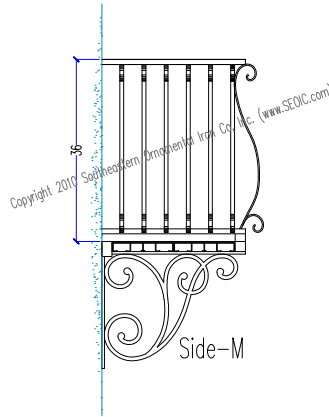
SEO-TB-02M



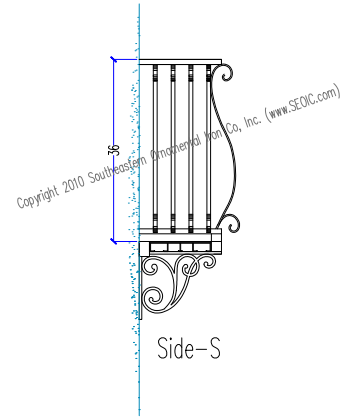
SEO-TB-02S



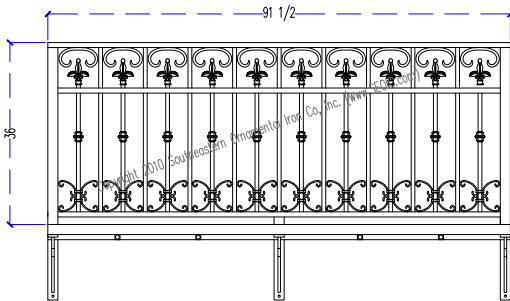
Side-L



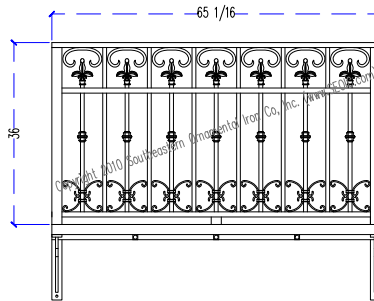
Side-M



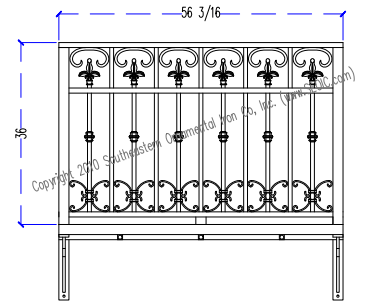
Side-S



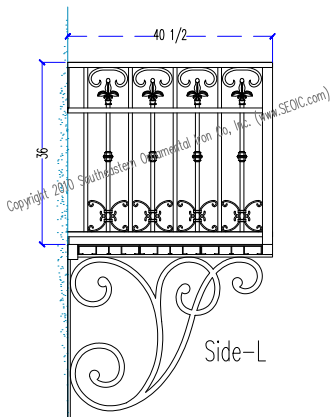
SEO-TB-26L



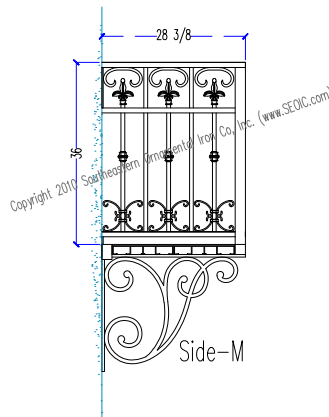
SEO-TB-26M



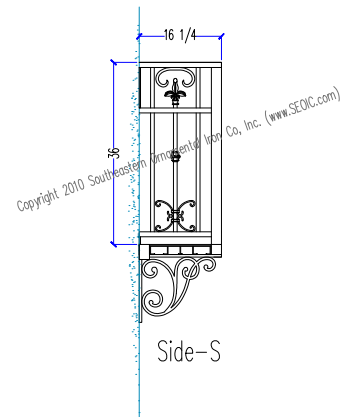
SEO-TB-26S




Side-L



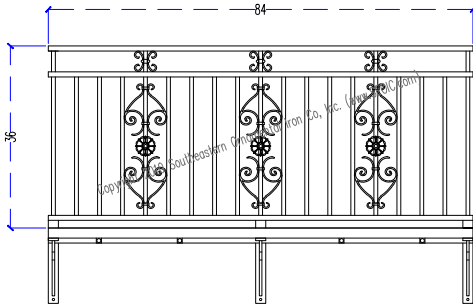
Side-M



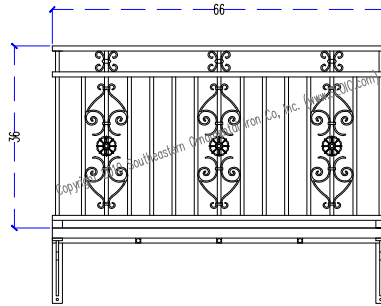
Side-S

 Ph: 904-292-0933 Fx: 904-292-0588 www.SEOIC.com	True Balcony Designs	Front & Side Elevations		TB-05
		Date: 23-Sep-10	NTS	

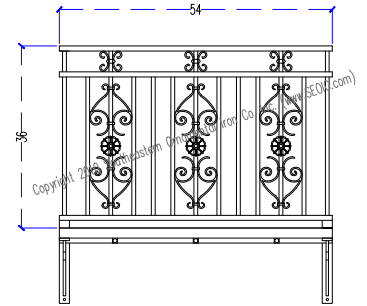
# True Balconies By: Southeastern Ornamental Iron Co, Inc.



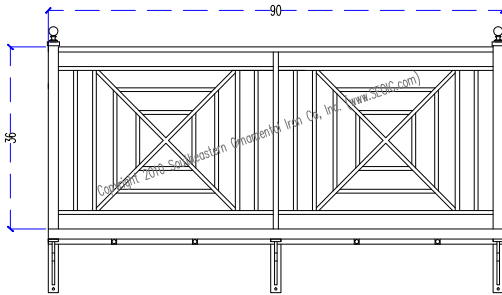
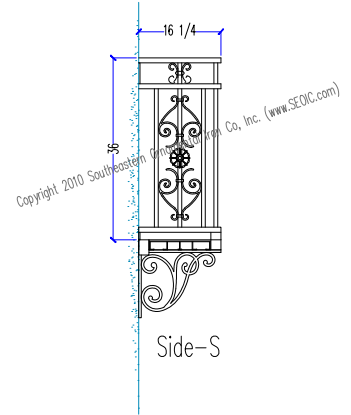
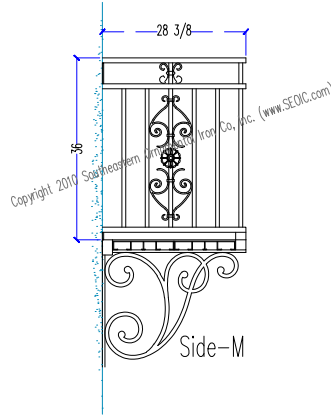
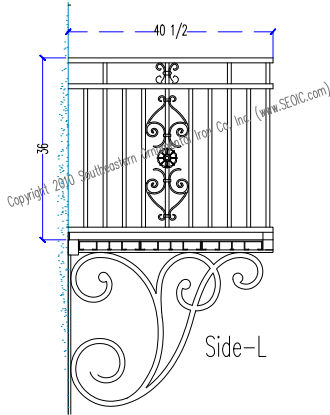
SEO-TB-21L



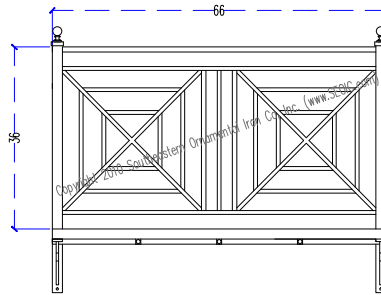
SEO-TB-21M



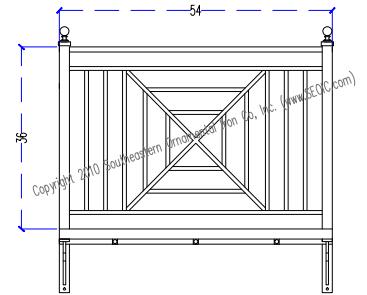
SEO-TB-21S



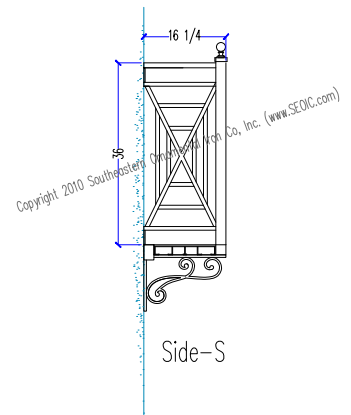
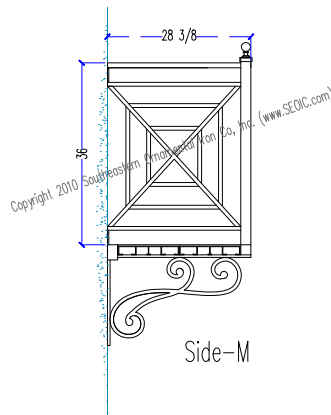
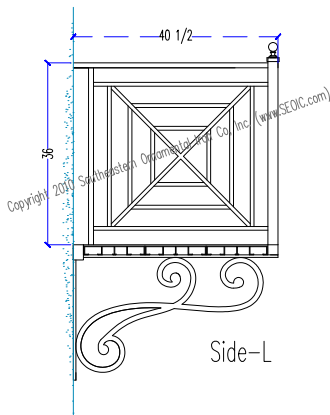
SEO-TB-35L




SEO-TB-35M

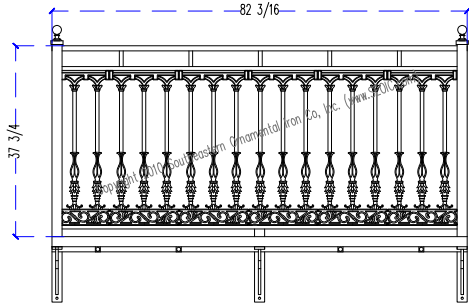


SEO-TB-35S

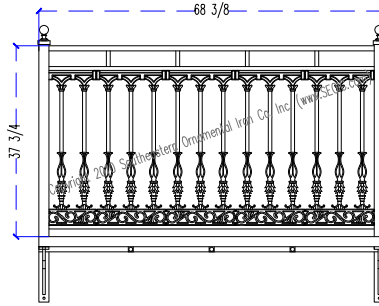


 Ph: 904-292-0933 Fx: 904-292-0588 www.SEOIC.com	True Balcony Designs	Front & Side Elevations		TB-06
		Date: 23-Sep-10	NTS	

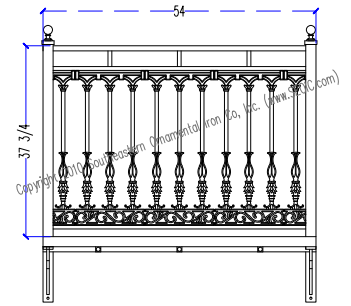
# True Balconies By: Southeastern Ornamental Iron Co, Inc.



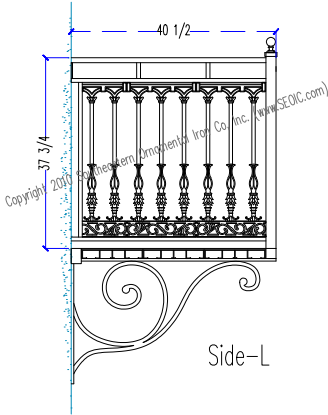
SEO-TB-03L



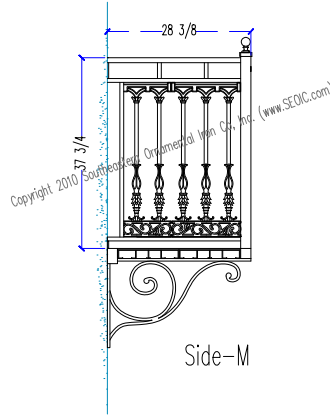
SEO-TB-03M



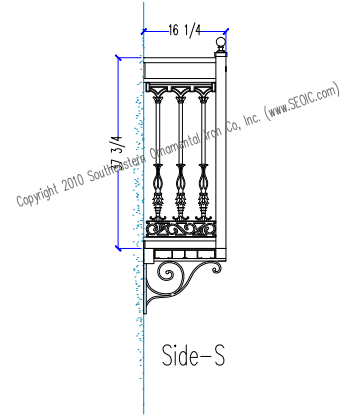
SEO-TB-03S



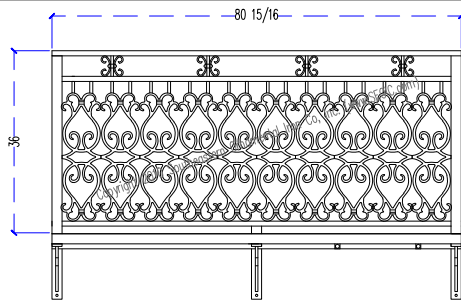
Side-L



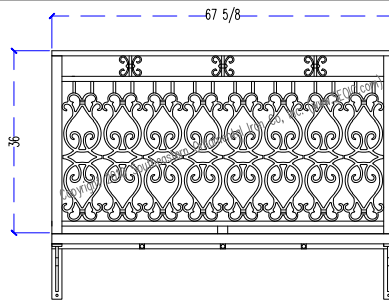
Side-M



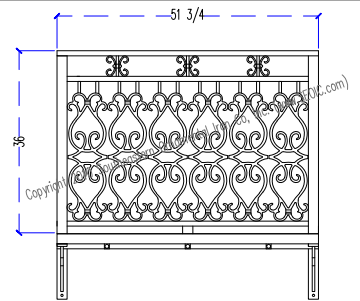
Side-S



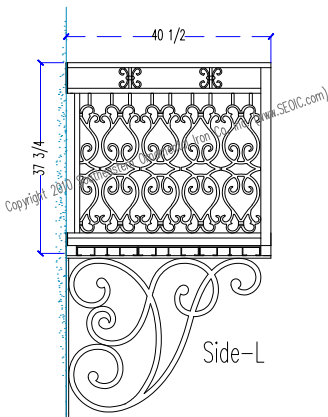
SEO-TB-05L



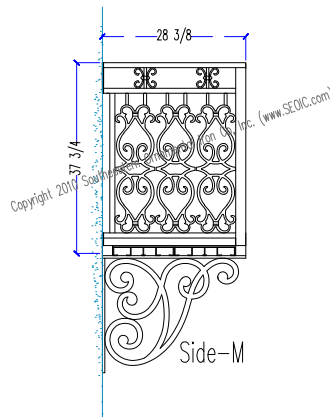
SEO-TB-05M



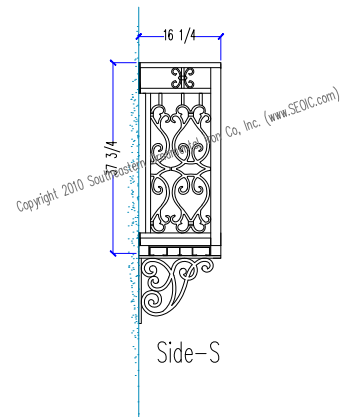
SEO-TB-05S




Side-L



Side-M

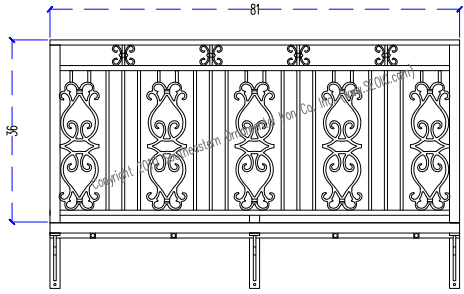


Side-S

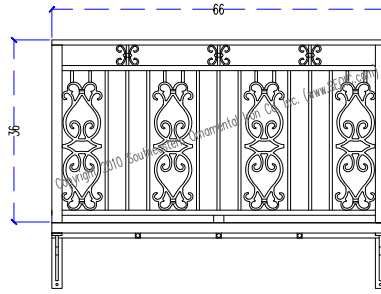
 Ph: 904-292-0933 Fx: 904-292-0588 www.SEOIC.com	True Balcony Designs	Front & Side Elevations		TB-07
		Date: 23-Sep-10	NTS	



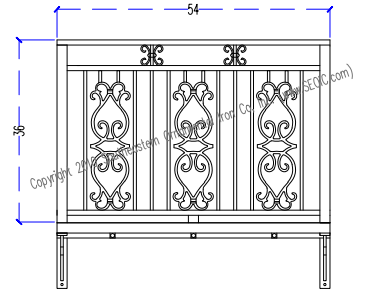
# True Balconies By: Southeastern Ornamental Iron Co, Inc.



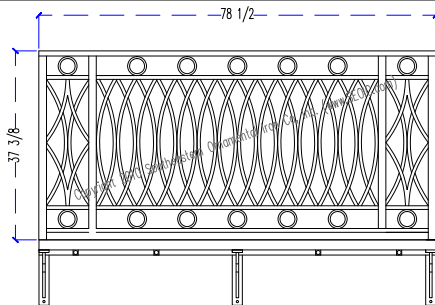
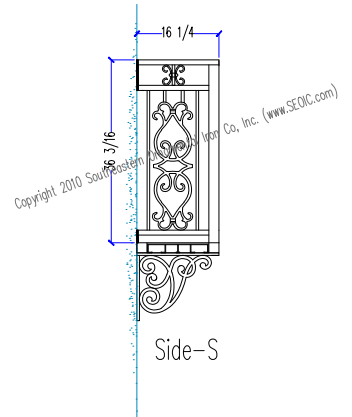
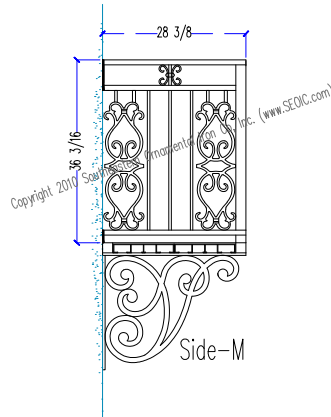
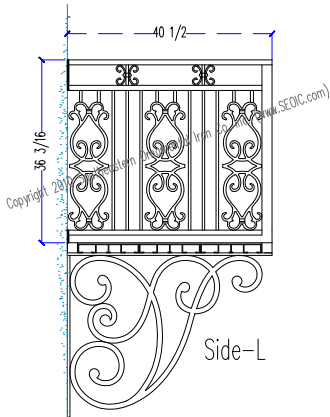
SEO-TB-06L



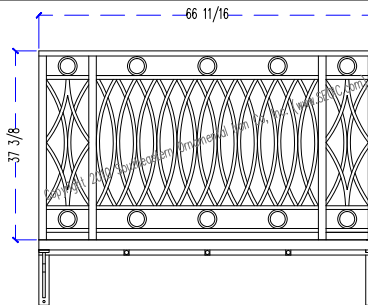
SEO-TB-06M



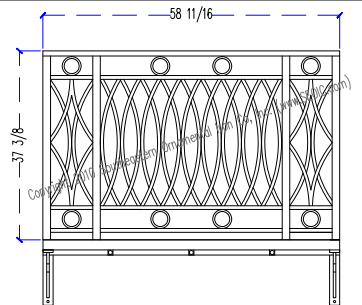
SEO-TB-06S



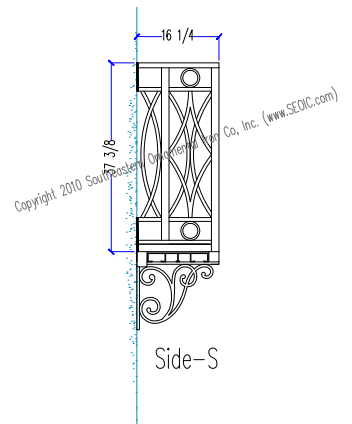
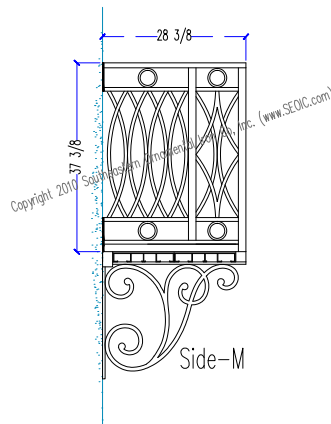
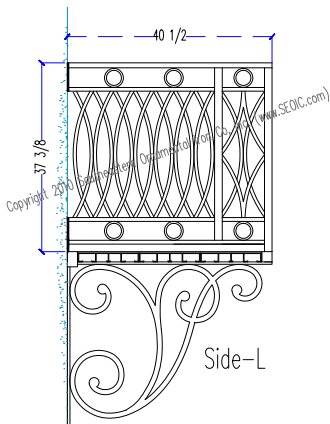
SEO-TB-07L




SEO-TB-07M

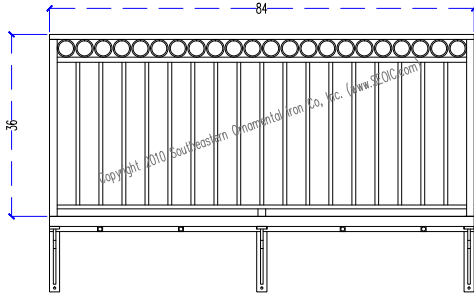


SEO-TB-07S

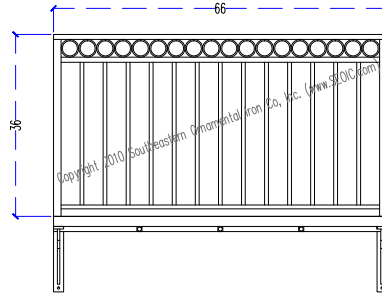


 <p>Ph: 904-292-0933 Fc: 904-292-0588 www.SEOIC.com</p>	<p>Input Name and Address</p> <p>True Balcony Designs</p>	<p>Front &amp; Side Elevations</p>		<p>TB-08</p>	
		<p>Date</p> <p>23-Sep-10</p>	<p>Drawn By</p> <p>NTS</p>		
		<p>Scale</p> <p>NTS</p>			

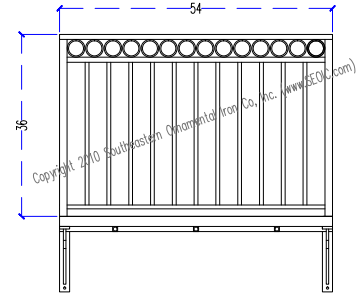
# True Balconies By: Southeastern Ornamental Iron Co, Inc.



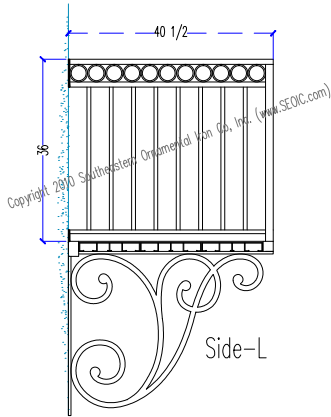
SEO-TB-13L



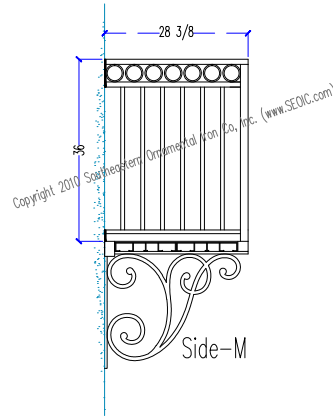
SEO-TB-13M



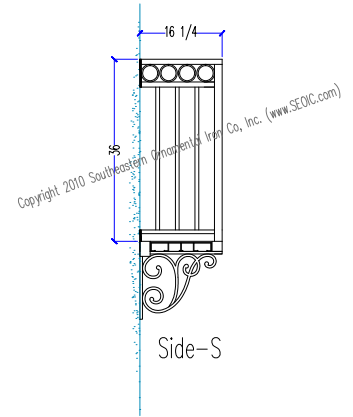
SEO-TB-13S



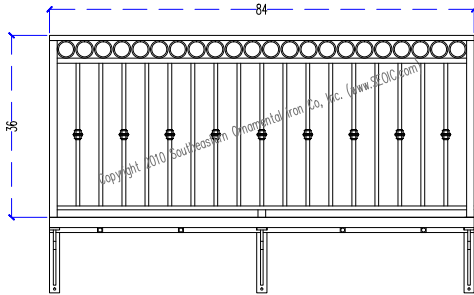
Side-L



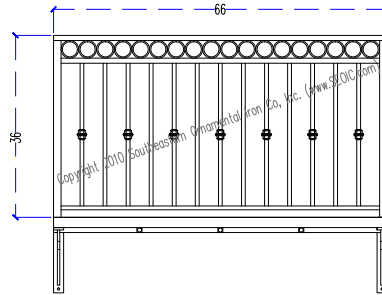
Side-M



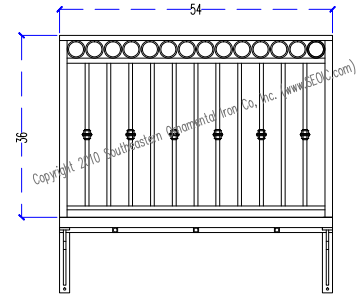
Side-S



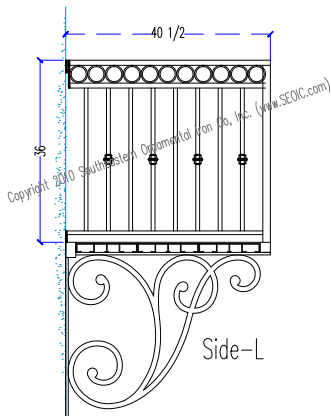
SEO-TB-13CL



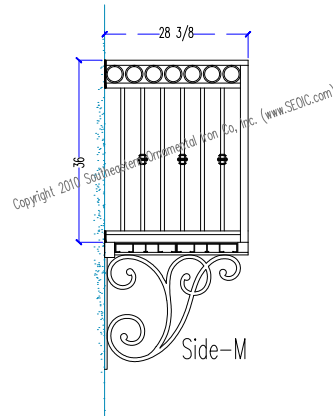
SEO-TB-13CM



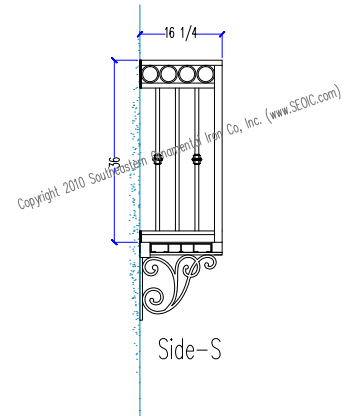
SEO-TB-13CS



Side-L



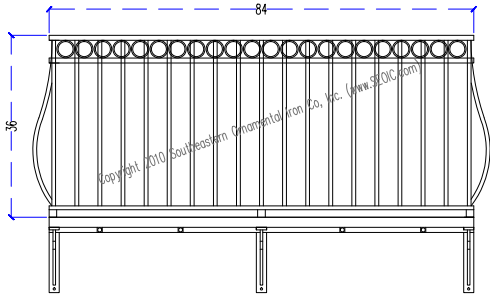
Side-M



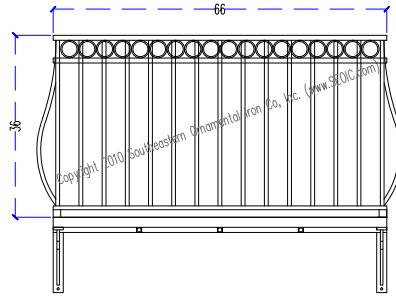
Side-S

<p>Ph: 904-292-0933 Fc: 904-292-0588 www.SEOIC.com</p>	<p>True Balcony Designs</p>	<p>Front &amp; Side Elevations</p>	<p>TB-09</p>
	<p>23-Sep-10</p>	<p>NTS</p>	
	<p>Copyright © 2009 Southeastern Ornamental iron Co, inc. - All rights reserved. Reproduction in whole or in part of this Document without the written permission of Southeastern Ornamental Iron Co, Inc. is prohibited.</p>		

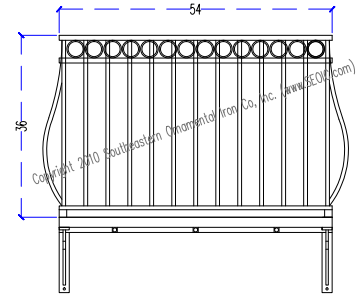
# True Balconies By: Southeastern Ornamental Iron Co, Inc.



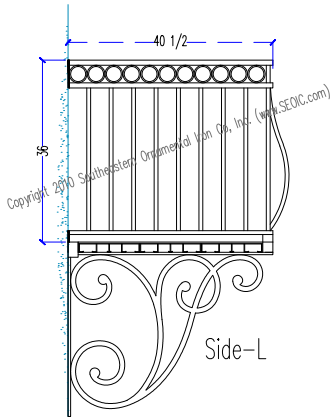
SEO-TB-13BL



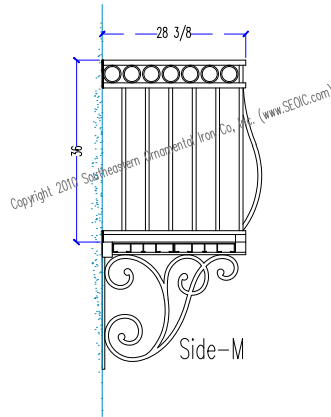
SEO-TB-13BM



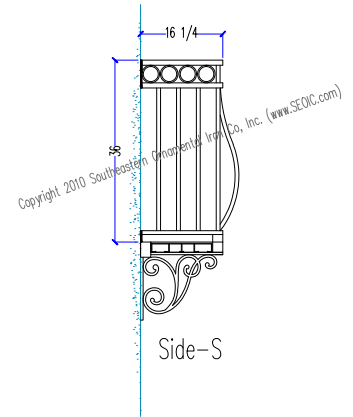
SEO-TB-13BS



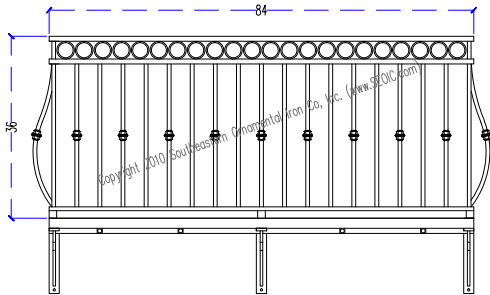
Side-L



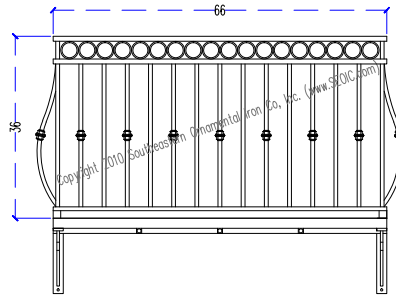
Side-M



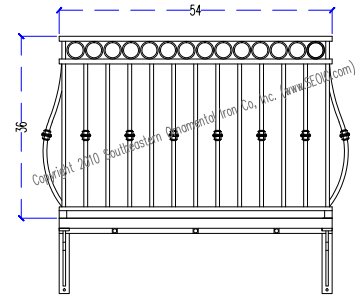
Side-S



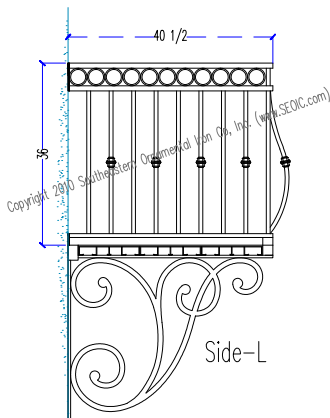
SEO-TB-13BCL



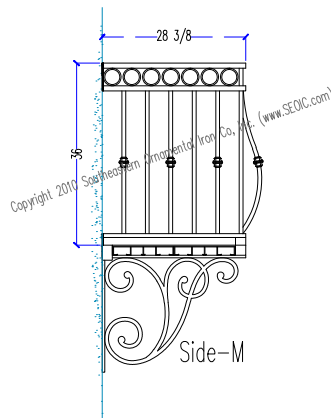
SEO-TB-13BCM



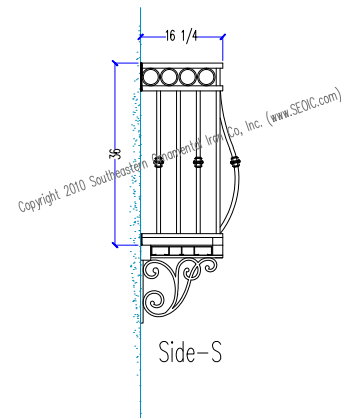
SEO-TB-13BCS



Side-L



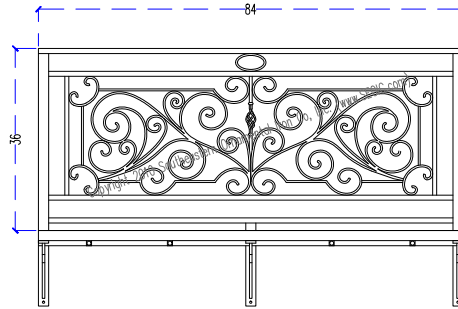
Side-M



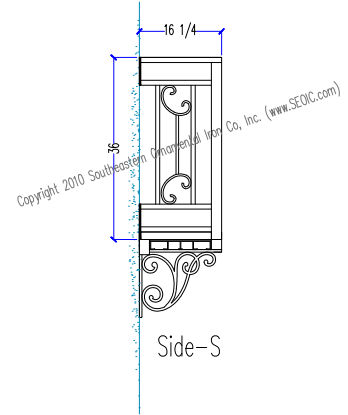
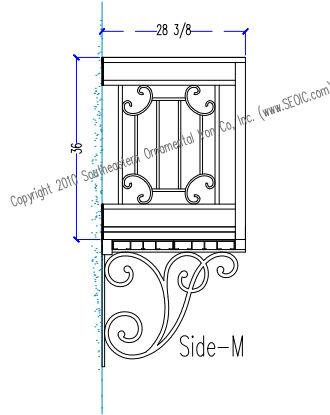
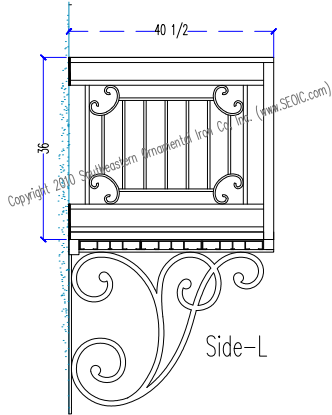
Side-S

<p>Ph: 904-292-0933 Fc: 904-292-0588 www.SEOIC.com</p>	<p>Client Name and Address</p> <p>True Balcony Designs</p>	<p>Front &amp; Side Elevations</p>	<p>TB-10</p>
	<p>Date</p> <p>23-Sep-10</p>	<p>Date</p> <p>NTS</p>	
	<p>Scale</p> <p>NTS</p>	<p>Scale</p> <p>NTS</p>	

# True Balconies By: Southeastern Ornamental Iron Co, Inc.



SEO-TB-38L



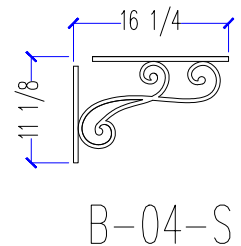
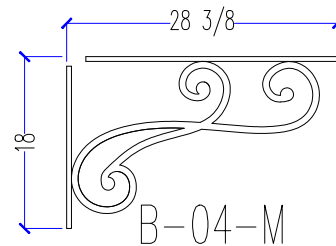
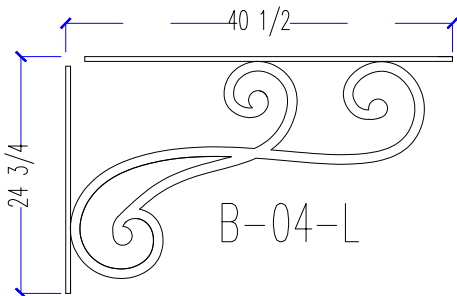
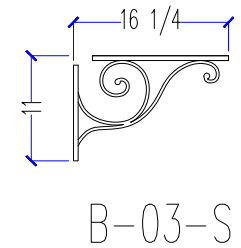
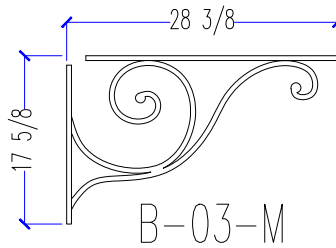
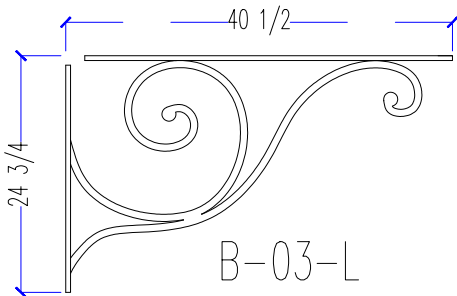
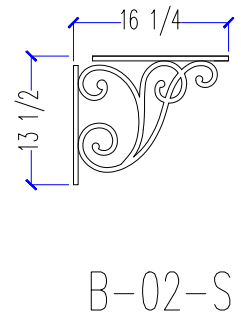
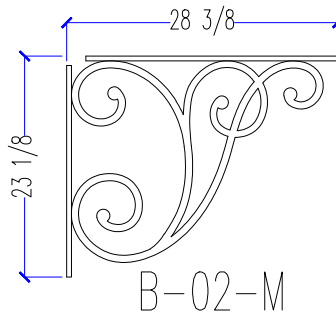
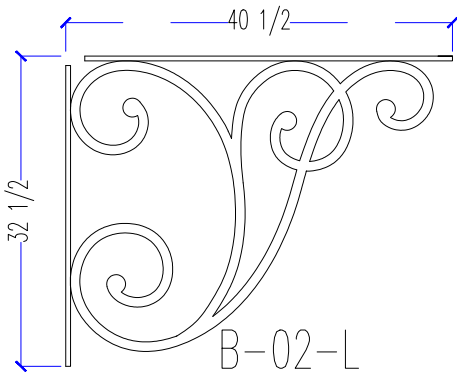
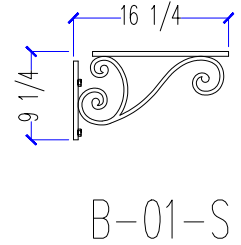
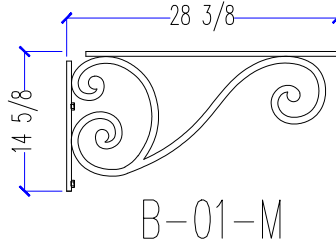
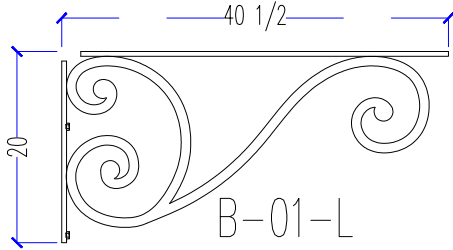
<p>Ph: 904-292-0933          Fx: 904-292-0588          www.SEOIC.com</p>	<p>Sign Name and Address</p> <p>True Balcony Designs</p>	<p>Front &amp; Side Elevations</p>	<p>TB-11</p>
		<p>Date: 23-Sep-10</p>	
		<p>Scale: NTS</p>	

# True Balconies By: Southeastern Ornamental Iron Co, Inc.

## Bracket Styles

You may choose any bracket style for any balcony railing design.

Custom designs are available.

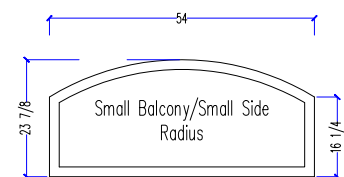
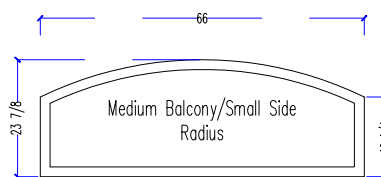
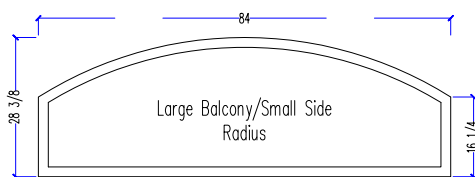
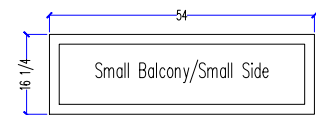
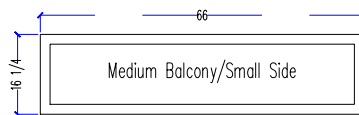
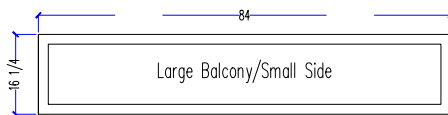
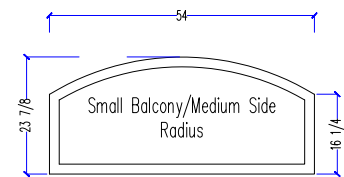
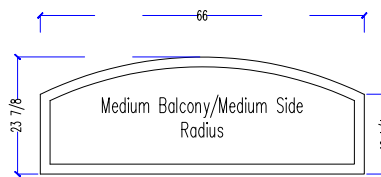
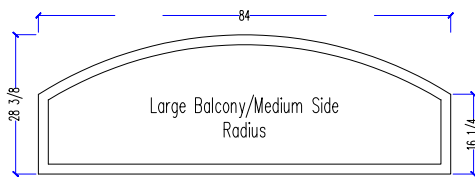
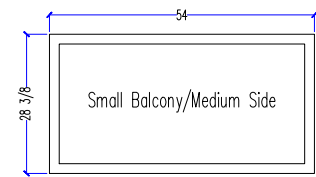
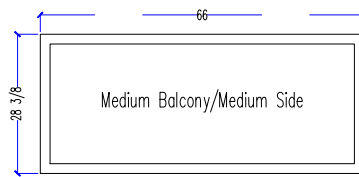
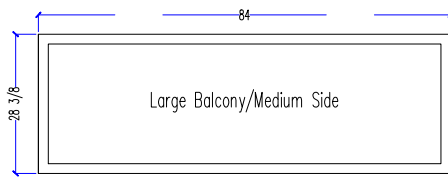
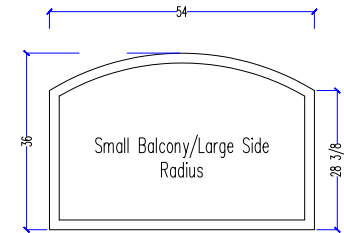
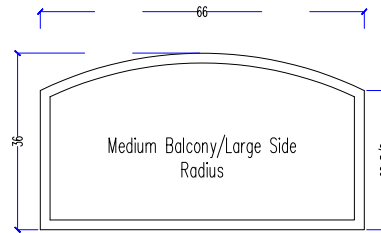
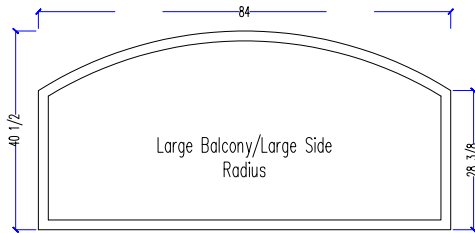
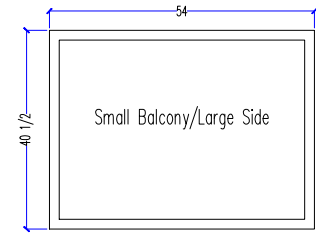
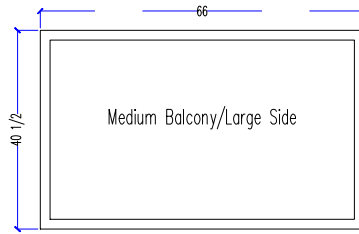
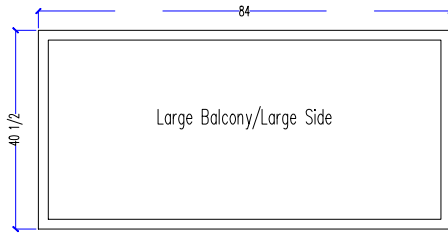



<p>Ph: 904-292-0933                  Fx: 904-292-0588                  www.SEOIC.com</p>	True Balcony Designs	Bracket Styles	
		23-Sep-10 NTS	TB-12

# True Balconies By: Southeastern Ornamental Iron Co, Inc.

## Standard Floor Frame Sizes

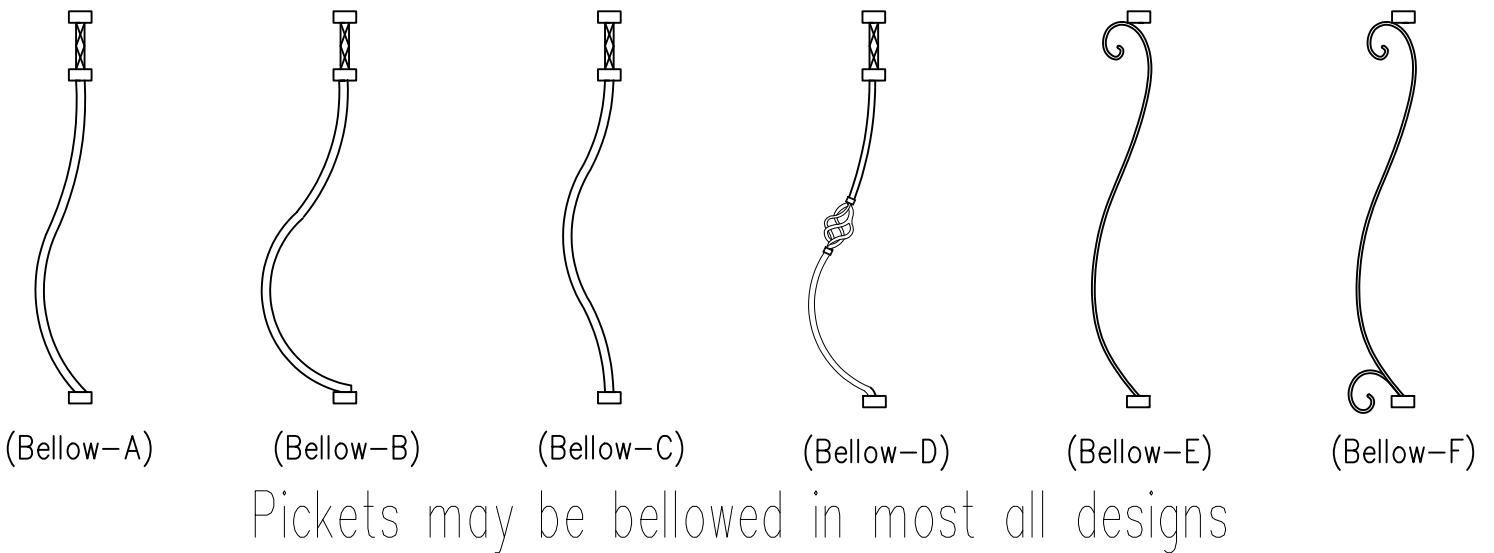
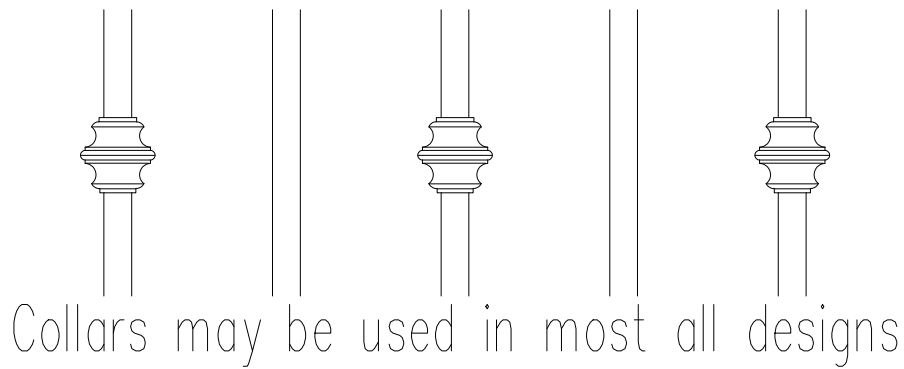
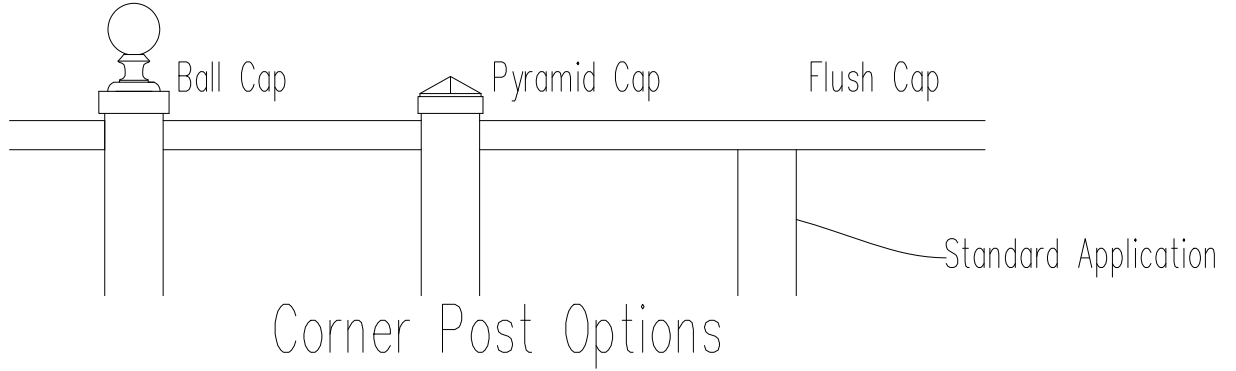
Frame dimensions may differ from these standard sizes do to the balcony railing style.




 Ph: 904-292-0933 Fx: 904-292-0588 www.SEOIC.com	True Balcony Designs	Deck Frames	TB-13
	Date: 23-Sep-10	Date:	
	Date: NTS	Date:	

# True Balconies By: Southeastern Ornamental Iron Co, Inc.

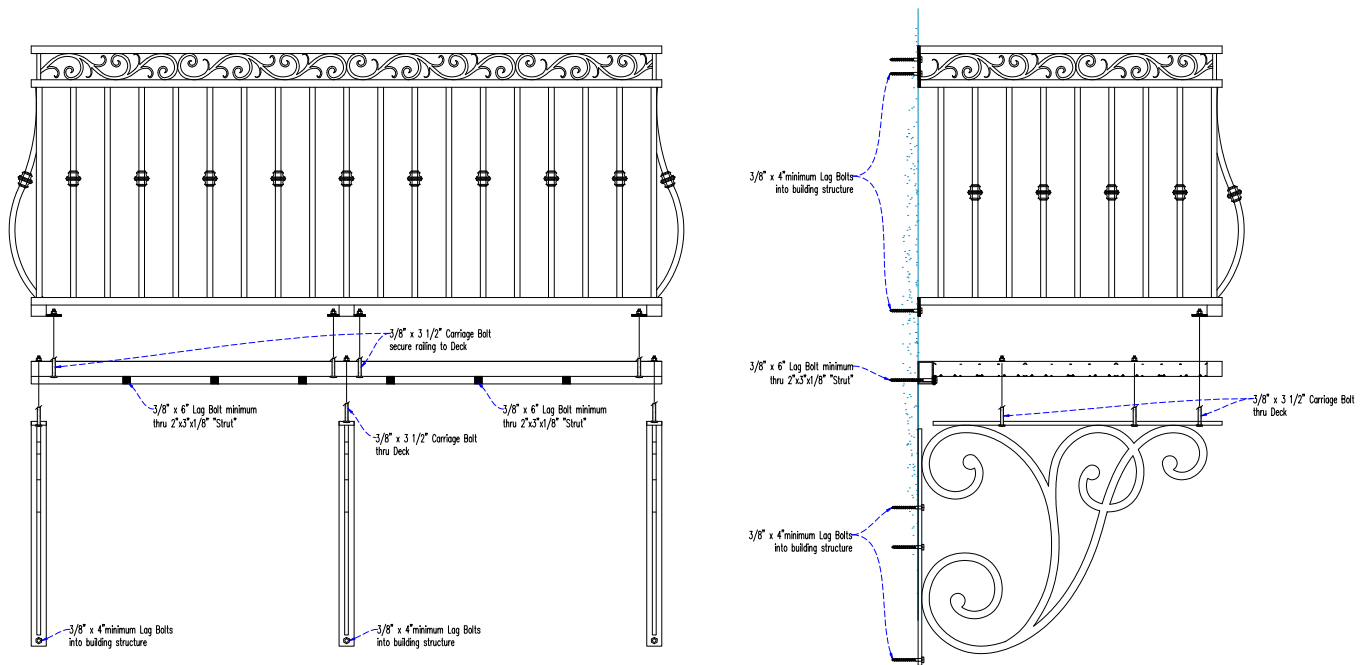
## Available Options



 Ph: 904-292-0933 Fc: 904-292-0588 www.SEOIC.com	True Balcony Designs	Assembly Instructions	TB-Options
		23-Sep-10 NTS	

# True Balconies By: Southeastern Ornamental Iron Co, Inc.

## Assembly Instructions




**Quantities and location of anchors used may vary do to Balcony Railing Designs.**

**All anchoring locations are pre-drilled and pre-fit prior to shipping.**

**Masonry structures will require concrete anchors in place of Lag Bolts.**

**Anchoring to structure is the responsibility of the installer.**

 Ph: 904-292-0933 Fc: 904-292-0588 www.SEOIC.com	True Balcony Designs	Assembly Instructions 23-Sep-10 NTS	TB-15
--	----------------------	---	-------