

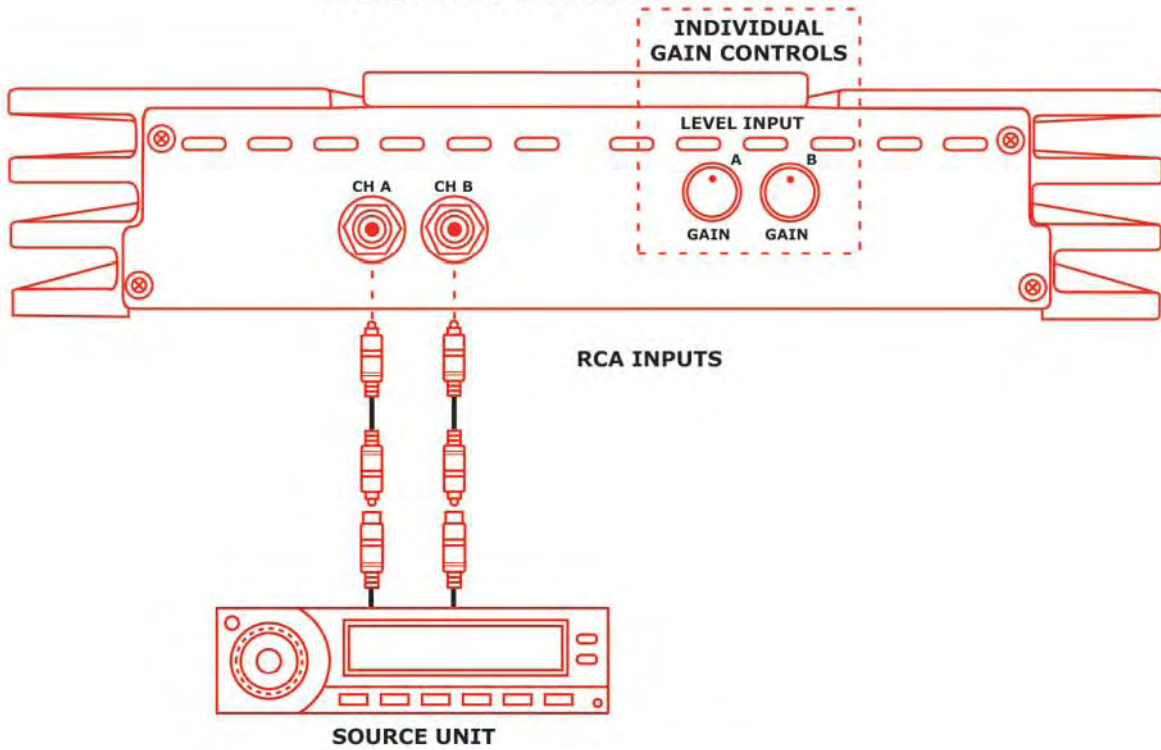
C-7.2 / C-7.4
COPPER-SERIES
OWNER'S MANUAL

TVG, Inc. 3634-A Foothill Blvd. La Crescenta, CA 91214
Tel: (818) 248-6590 Fax: (818) 475-1670

www.trutechnology.com

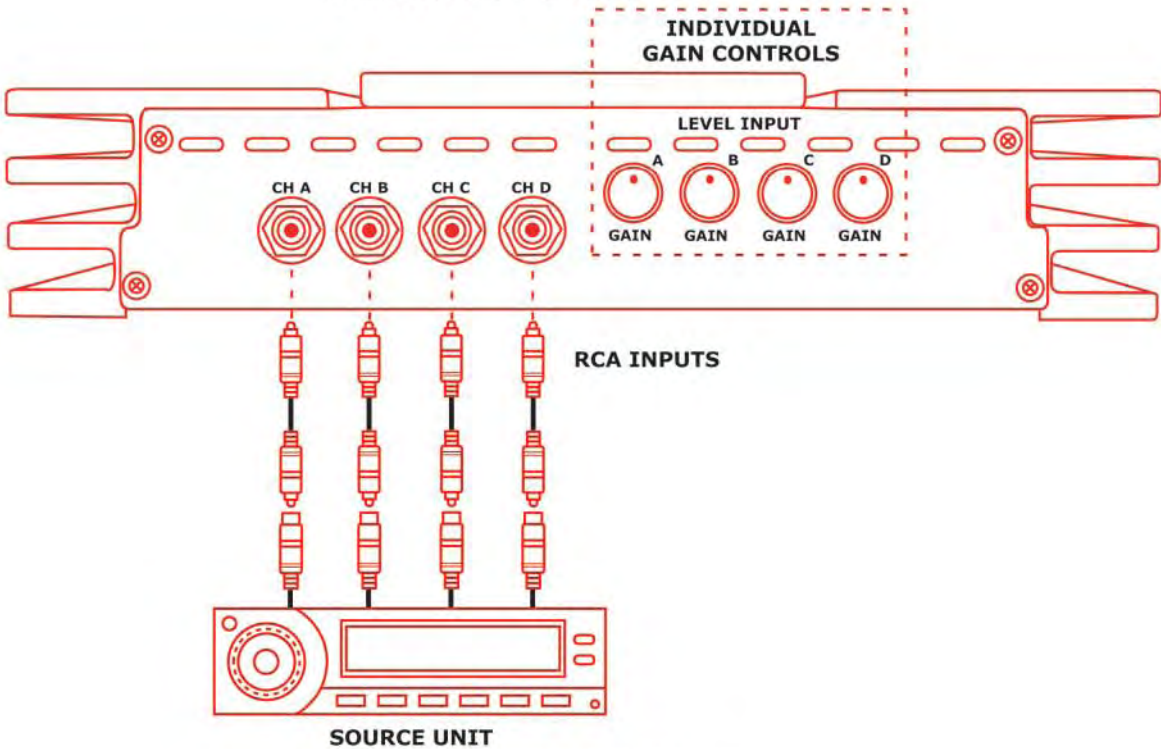
C-7.2

SIGNAL PATH LAYOUT



C-7.4

SIGNAL PATH LAYOUT

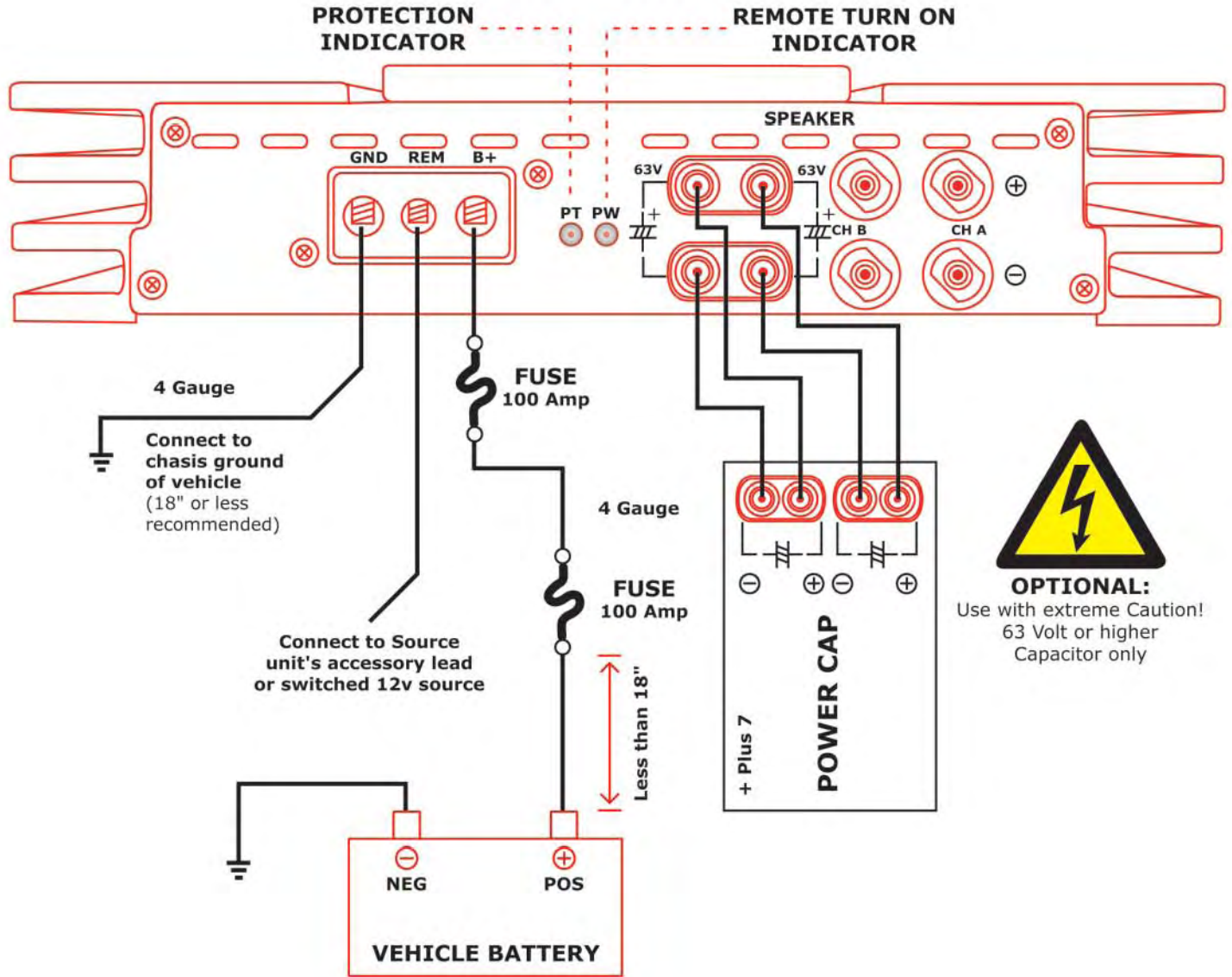


All specifications may change without notice.

www.trutechnology.com

C-7.2

ELECTRICAL LAYOUT

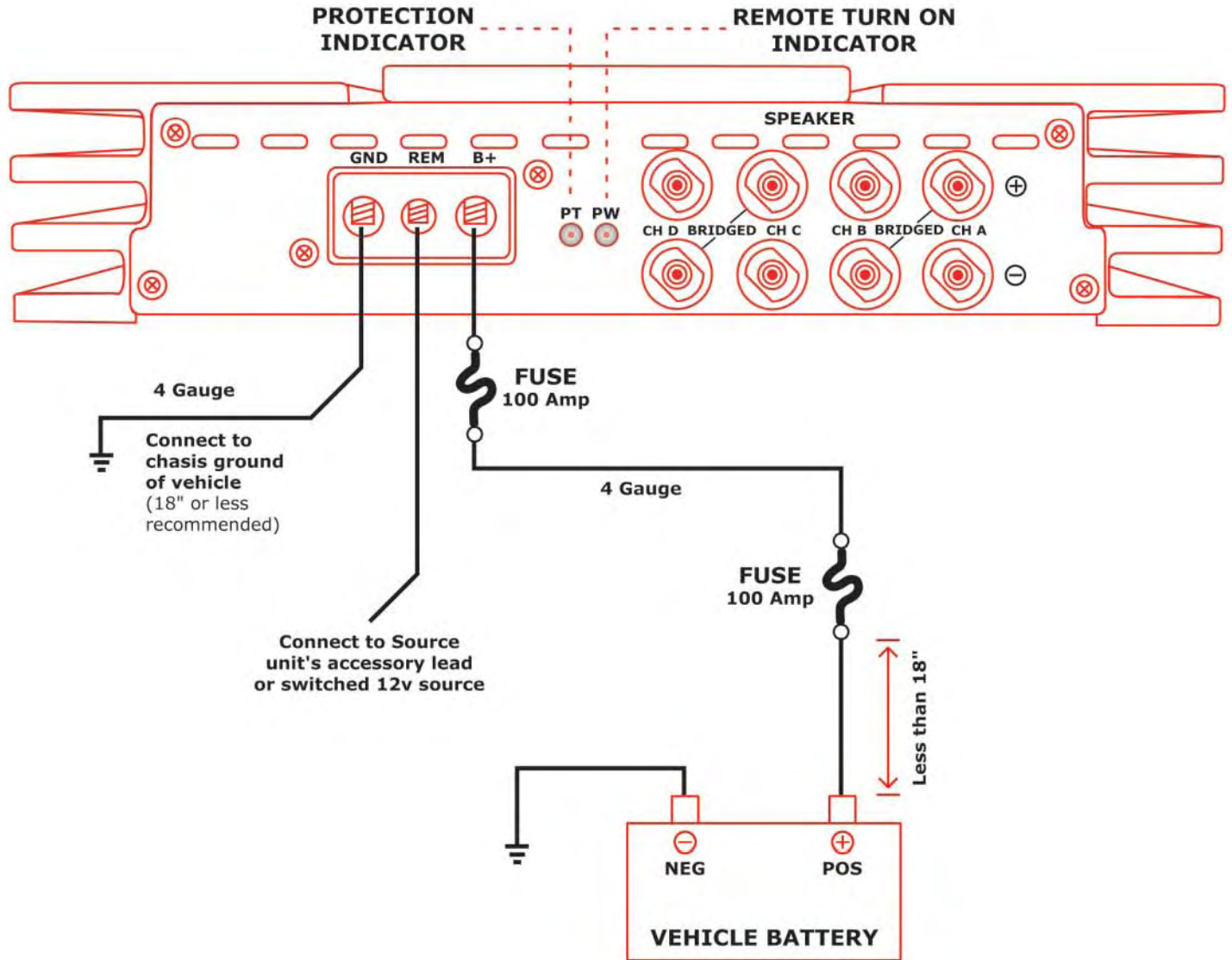


All specifications may change without notice.

www.trutechnology.com

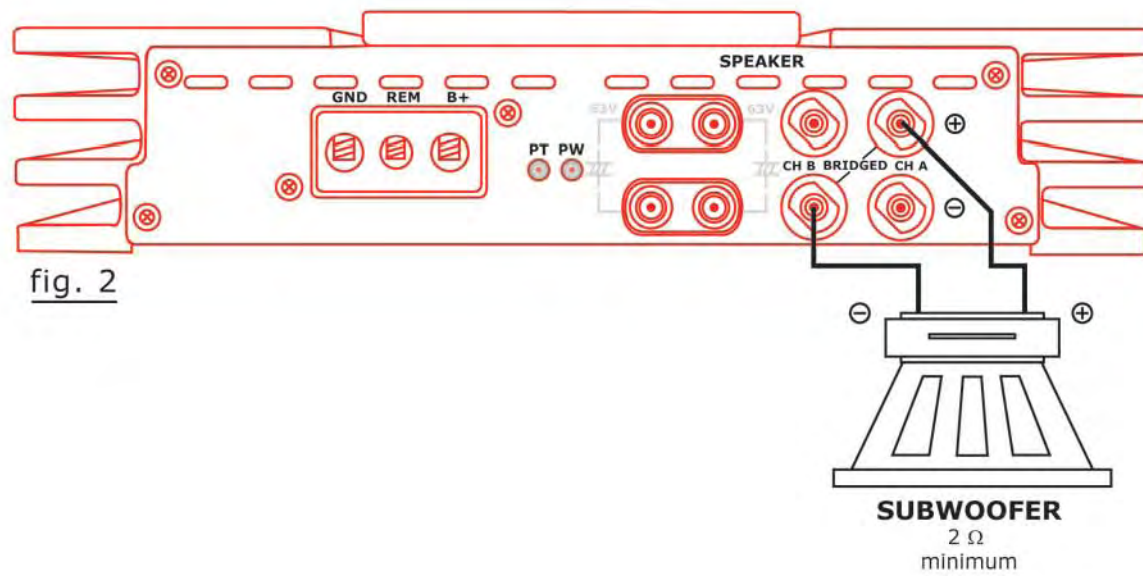
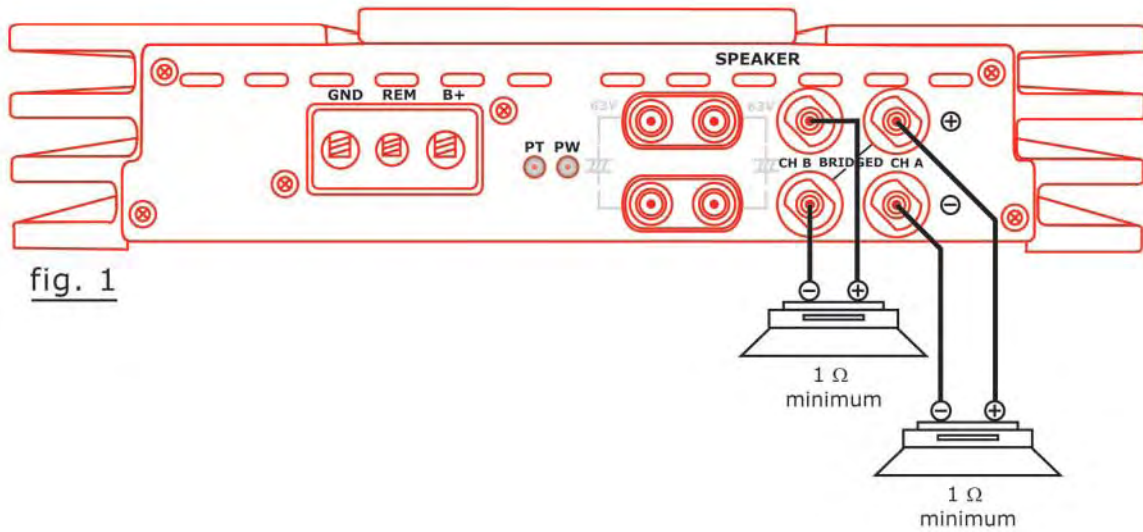
C-7.4

ELECTRICAL LAYOUT



C-7.2

SPEAKER CONFIGURATION



C-7.4

SPEAKER CONFIGURATION

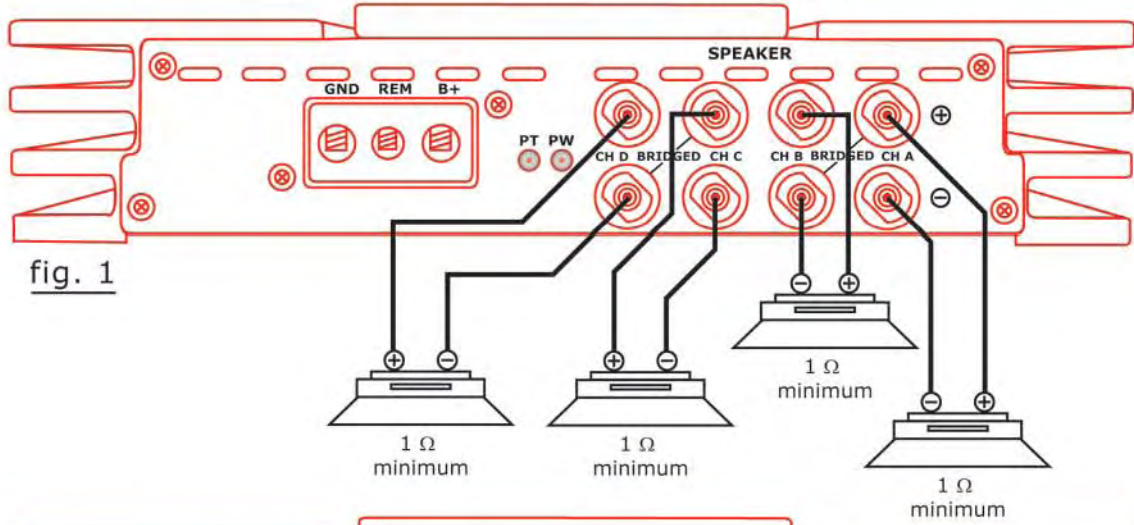


fig. 1

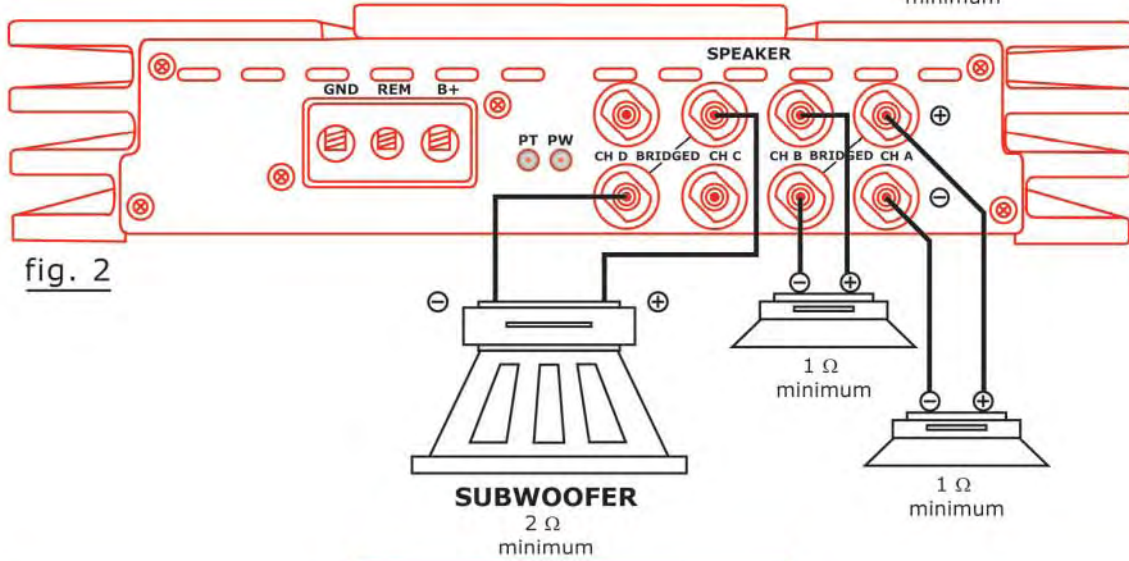


fig. 2

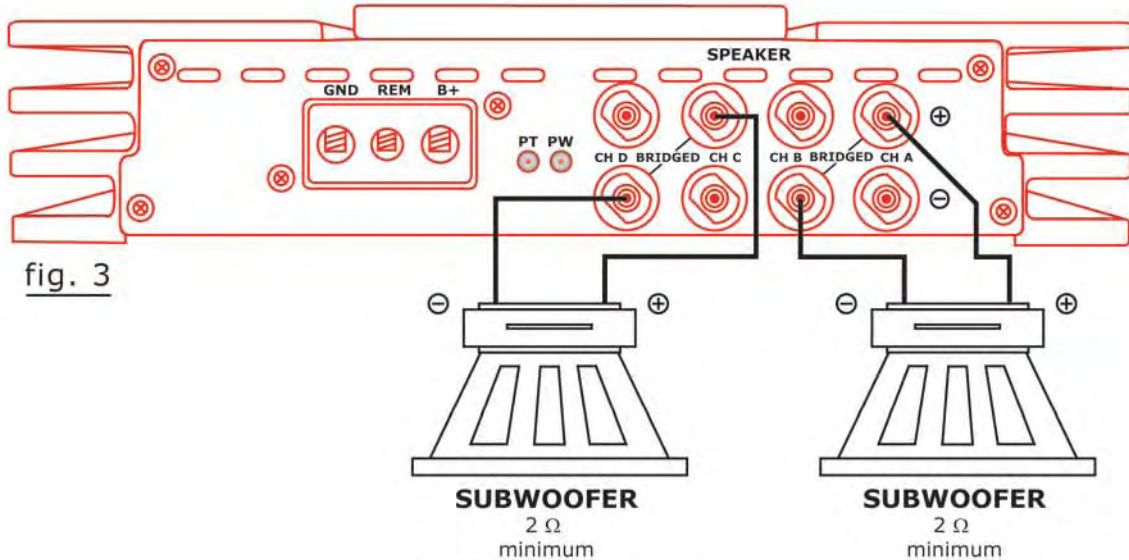


fig. 3

All specifications may change without notice.

www.trutechnology.com

C-7.2

Specifications

Total Power	14.4 Volts DC
Rated Power (Continuous) / Channel	T.H.D.
250 watts x 2 @ 4Ω	< 0.25%
500 watts x 2 @ 2Ω	
750 watts x 2 @ 1Ω	
1,000 watts x 1 @ 4Ω Mono	
1,500 watts x 1 @ 2Ω Mono	
Frequency Response	5Hz ~ 60kHz, ± 1 dB
S/N Ratio	> 105 dB
Separation	70 dB
Damping Factor	> 1,000
Efficiency	60.00%
Input Sensitivity	250mV ~ 4 Volts
Fuse Requirement	100 Amp
Power Supply	11 ~ 16 Volts DC
External Cap Input	Yes (63 Volts rated minimum)
Dimension (L x W x H)	21 5/8 x 10 13/32 x 2 1/16
Weight	20 3/4 lbs. / 9.4 Kg.

C-7.4

Specifications

Total Power	14.4 Volts DC
Rated Power (Continuous) / Channel	T.H.D.
125 watts x 4 @ 4Ω	< 0.25%
250 watts x 4 @ 2Ω	
275 watts x 4 @ 1Ω	
500 watts x 2 @ 4Ω Mono	
550 watts x 2 @ 2Ω Mono	
Frequency Response	5Hz ~ 60kHz, ± 1 dB
S/N Ratio	> 105 dB
Separation	70 dB
Damping Factor	> 650
Efficiency	60.00%
Input Sensitivity	250mV ~ 4 Volts
Fuse Requirement	100 Amp
Power Supply	11 ~ 16 Volts DC
External Cap Input	No
Dimension (L x W x H)	21 5/8 x 10 13/32 x 2 1/16
Weight	20 3/4 lbs. / 9.4 Kg.

All specifications may change without notice.

www.true technology.com

Copper Series

C-7.2 / C-7.4

Advantage

Benefit

Full Spectrum High Current amplifier with high speed output FETS	Extended power bandwidth
High quality low inductance polypropylene capacitors.	Drastically improve the high frequency transient performance of the amplifier.
Tantalum capacitors.	Reduce cross talk between channels to a minimum, and improve the dynamic range of the bass.
Non-inductive metal film resistors with a 1 % tolerance rating.	Reduce the internal noise floor to an absolute minimum and assure that the performance specifications of all the channels are balanced.
Custom wound power resistors in series with complimentary output FETS of each channel.	Improves high frequency stability and load sharing.
Hand-picked matching of components.	Results in very predictable performance when the amplifier is operated under less than ideal thermal and/or load conditions.
Smartly designed aluminum extrusion with 1.5 inch cooling fans imbedded into each side of the heat sink.	Allows the maximum amount of heat to transfer out of the heat sink
Output FETS and inverter devices are mounted symmetrically on either side of the heat sink.	Entire heat sink warms up uniformly.
Preamp stage uses metal cased input transistors and Burr Brown integrated circuits	Very low noise floor and wide bandwidth
Dual differential pairs of input transistors.	Provide rock solid D.C. stability with fluctuating 12V D.C. battery voltage and reduce distortion.
PC board layouts that were designed using high frequency RF grounding techniques.	1) Eliminate parasitic oscillations, and 2) Allow the amplifier to power highly reactive or capacitive loads without problems.
Premium high current, large cased, low loss switching FETS (sum total of 16 devices) in the power inverter.	Maximize the power efficiency of the inverter under all load conditions.
Eight high current complimentary FET audio output devices for each channel.	Improve the long term reliability of the output stage.
Dual large cased, high speed rectifier's diodes.	Two sets of complimentary dual rectifier diodes (eight diodes in total) reduce the failure mode to almost zero.
Thermal cutout circuit.	Protects internal electronic components.
Gold plated 5 way binding posts for speaker outputs.	Easy to connect.
Gold plated DC input power block.	Capable of easily handling # 4 gauge power wires.
A pair of 10,000 microfarad filter capacitors wired in parallel on both the positive and negative high voltage power rails for a total of 40,000 microfarads.	Drastically improve a) the extreme low frequency dynamic peak power output, and b) the continuous extended low frequency output power of the amplifier.
Individual volume controls. Offers flexibility	

All specifications may change without notice.

www.trutechnology.com