

# Direct Vent Furnace Side Wall Vent Kit (0170K00000S) Installation Instructions

## WARNING

THIS VENT KIT IS ONLY TO BE USED FOR VENTING **CATEGORY IV** (CONDENSING) FURNACES. **DO NOT USE THIS KIT TO VENT CATEGORY I, II, OR III FURNACES. DO NOT APPLY TO NON-CONDENSING FURNACES. DO NOT USE FOR ROOF TOP VENTING. USE THIS KIT FOR SIDE WALL VENTING ONLY. FAILURE TO FOLLOW THIS WARNING COULD RESULT IN FIRE, PERSONAL INJURY OR DEATH.**

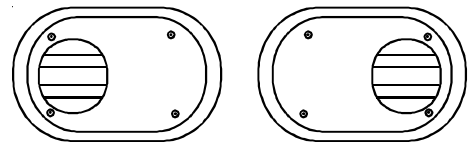
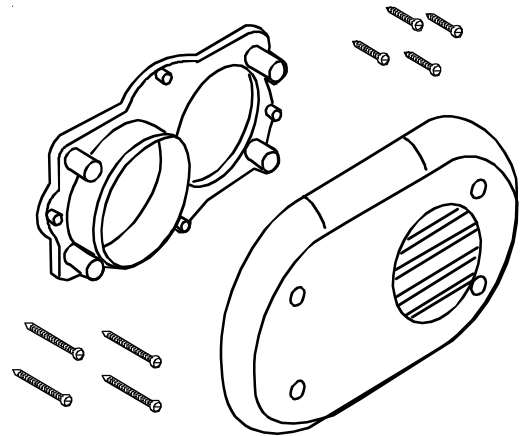
## Description

This vent kit is to be used with 2" or 3" vent systems. The vent kit must terminate outside the structure and may be installed with the intake and exhaust pipes located side-by-side or with one pipe above the other. This kit is NOT intended for use with single pipe (indirect vent) installations.

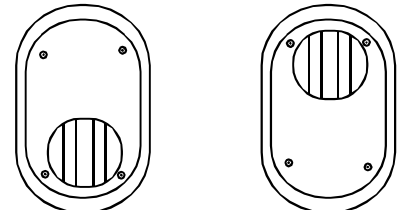
## Contents

- Vent Terminal Base
- Vent Terminal Cap
- Four (4) 1" long stainless screws
- Four (4) 2" long stainless screws
- Instruction Sheet

Field-supplied pipe and fittings are required in order to complete the installation. All combustion air and vent piping must conform to American National Standards Institute (ANSI) standards and American Society for Testing and Materials (ASTM) Standards D1785 (Schedule 40 PVC), D2665 (PVC-DWV), F891 (PVC-DMV Cellular Core), D2241 (SDR-21 and SDR-26 PVC), D2261 (ABS-DWV), or F628 (Schedule 40 ABS). Pipe cement and primer must conform to ASTM Standards D2564 (PVC) or D2235 (ABS).



Horizontal Installation



Vertical Installation

NOTE: If these instructions differ from those included with your furnace, follow these instructions.



**RECOGNIZE THIS SYMBOL AS A SAFETY PRECAUTION.**

## ATTENTION INSTALLING PERSONNEL

As a professional installer you have an obligation to know the product better than the customer. This includes all safety precautions and related items.

Prior to actual installation, thoroughly familiarize yourself with this Instruction Manual. Pay special attention to all safety warnings. Often during installation or repair it is possible to place yourself in a position which is more hazardous than when the unit is in operation.

Remember, it is **your** responsibility to install the product safely and to know it well enough to be able to instruct a customer in its safe use.

Safety is a matter of common sense...a matter of thinking before acting. Most dealers have a list of specific good safety practices...follow them.

The precautions listed in this Installation Manual are intended as supplemental to existing practices. However, if there is a direct conflict between existing practices and the content of this manual, the precautions listed here take precedence.

# INSTALLATION

## ⚠ WARNING

**TO AVOID PERSONAL INJURY OR DEATH DUE TO ELECTRIC SHOCK, DISCONNECT THE ELECTRICAL POWER SUPPLY TO THE FURNACE BEFORE INSTALLING THIS KIT OR PERFORMING ANY SERVICE.**

## ⚠ WARNING

**THIS KIT MUST BE INSTALLED IN STRICT COMPLIANCE WITH THESE INSTALLATION INSTRUCTIONS AND ANY APPLICABLE LOCAL, STATE, AND NATIONAL CODES.**

1. Determine the best location for the vent terminal. In addition to all applicable codes, consider the following when determining the location:
  - a. The vent terminal should be located so as to minimize the total length and number of elbows in the piping. Consult the furnace installation instructions for the pipe lengths and number of elbows allowed.
  - b. Terminal should be positioned where vent vapors will not damage plants, shrubs, air conditioning equipment or building materials.
  - c. Terminal should be located where it will not be affected by wind gusts, snow, airborne leaves or other debris, and where it will not allow recirculation of flue gases.
  - d. Terminal should be located where it will not be damaged or exposed to foreign objects such as stones, balls, etc.
  - e. Terminal should be located where vent vapors are not objectionable.
2. Using the vent terminal base as a template, locate the pipe holes and the four mounting screw holes on the wall.
3. Cut two 3 7/8" diameter holes for the vent and intake pipes.
4. Drill four 3/16" diameter holes for inserting the plastic screw anchors into the wall.

5. Insert the four plastic screw anchors into the screw holes and mount the vent terminal base to the wall using the four 2" long screws provided.
  6. Assemble the vent terminal cap to the vent terminal base, using four 1" long screws provided.
  7. Install 3" diameter vent and air intake pipes into the back side of the openings in the vent terminal base.
  8. Seal all gaps between the pipes and wall.
  9. Using RTV silicone sealant, seal the vent pipe to the vent cap. This will allow the terminal to be disassembled later if necessary for cleaning. **DO NOT** use PVC solvent cement to seal this connection.
- NOTE:** To downsize the piping to 2" diameter, use a field-supplied reducing coupling.
10. Operate the furnace for 15 minutes to ensure that it is working properly and that all piping joints are sealed to prevent the escape of combustion products into the home.
  11. For installations where two or more furnaces are to be vented using this kit, ensure a minimum clearance of 1" between the vent terminal caps. To prevent condensate freezing problems, do not install multiple vent kits above one another.

