

# home storage

made simple

## Easy Entryway Organizer



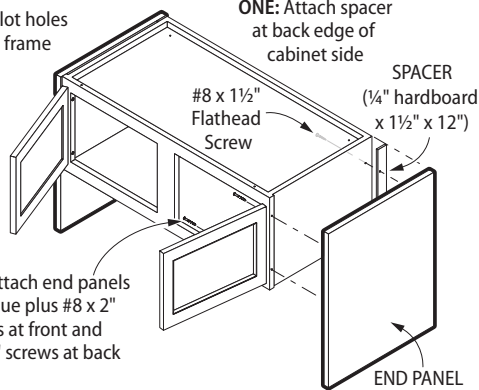
# home storage

made simple

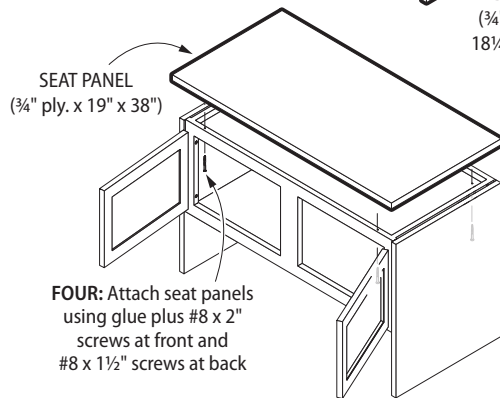
## Easy Entryway Organizer

**TWO:** Drill pilot holes through face frame and through cabinet side, spacer, and cabinet top

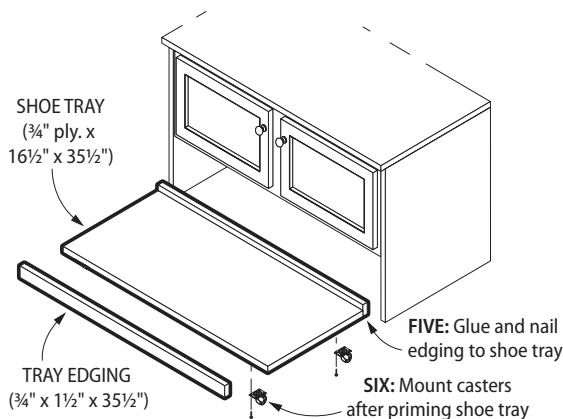
**ONE:** Attach spacer at back edge of cabinet side



**THREE:** Attach end panels using glue plus #8 x 2 inch screws at front and #8 x 1 1/2 inch screws at back

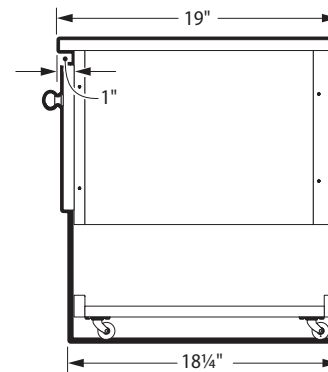
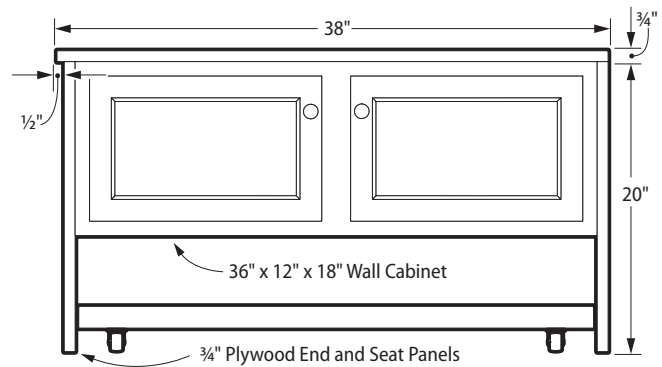


**FOUR:** Attach seat panels using glue plus #8 x 2 inch screws at front and #8 x 1 1/2 inch screws at back



**FIVE:** Glue and nail edging to shoe tray

**SIX:** Mount casters after priming shoe tray



# home storage made simple

## Easy Entryway Organizer

