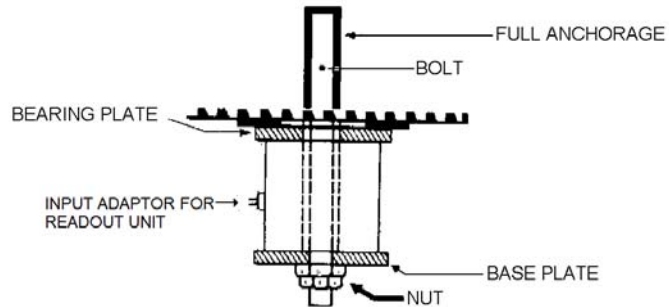




ROOF BOLT LOAD CELL (with Detachable Read Out Unit)



Detachable Read Out Unit



Roof Bolt Load Cell

ROOF BOLT LOAD CELL:

Roof Bolt Load Cells are simple rugged instrument. They are easy to read and are useful for routine bolt operation. It is an economical Tool with proper accuracy.

ADVANTAGES:

1. Simple and Rugged Instrument
2. Economical & Accurate
3. Easy to Install

DETACHABLE READ OUT UNIT:

Our Improved and advanced design incorporates the option of a Removable Readout Unit (Pressure gauge). Now you can use a single Read Out unit to measure the reading of several load cells, Micon Read out Unit is a Mechanical Model which complies with all DGMS regulations.

Advantages:

- 1) Mechanical Model, hence no Fire Hazards
- 2) It is Economical as several load cells can be operated by a single Readout Unit
- 3) Less chance of damage during Roof Fall, blasting etc.
- 4) Direct Reading in Tons.
- 5) DGMS Compliant (Refer DGMS Legislation Circular No 1 of 1993, All Electrical Equipments or Apparatus used in Underground Mines should be DGMS **Approved**)

SPECIFICATION:

Range: 0-10 Tons / 0-25 Tons

Least Count: 100 Kgs / 250 Kgs

Manufactured, Sold & Serviced by:



Micon Engineers

25 NETAJI SUBHAS ROAD, KOLKATA 700001
PHONE : 033-2230-9138/8378, FAX : 033-2230-8378
Email : info@miconeng.com, website: www.miconeng.com