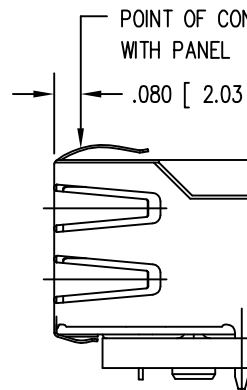
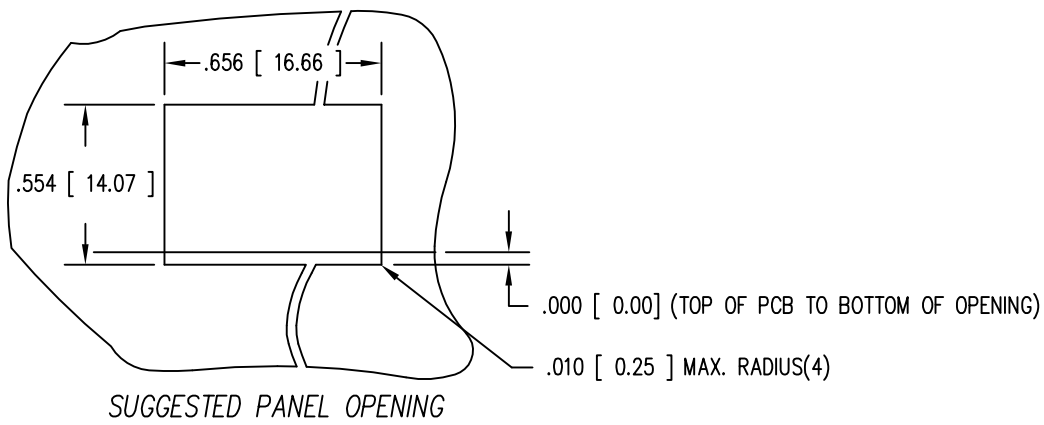


NOT
1.0 F
COM
2.0
±5%

ELECTRICAL SPECIFICATIONS:

- | | | |
|------|---|--|
| 1.0 | URNS RATIO: (P8-P6-P7) : (J6-J3) | : 1CT : 1 ±3% |
| | (P2-P3-P1) : (J2-J1) | : 1CT : 1 ±3% |
| 2.0 | INDUCTANCE: (P7-P8) | : 350uH MIN. @ 0.1V, 100KHz, 8mA DC Bias |
| | (P1-P2) | : 350uH MIN. @ 0.1V, 100KHz, 8mA DC Bias |
| 3.0 | LEAKAGE INDUCTANCE: P8-P7 (WITH J6 AND J3 SHORT) | : 0.3 MAX. @ 1MHz |
| | P2-P1 (WITH J2 AND J1 SHORT) | : 0.3 MAX. @ 1MHz |
| 4.0 | INTERWINDING CAPACITANCE: (P8,P6,P7) TO (J6,J3) | : 30pf MAX @ 1MHz |
| | (P3,P2,P1) TO (J2,J1) | : 30pf MAX @ 1MHz |
| 5.0 | DC RESISTANCE: (J1-J2) | : 1.2 ohms Max. |
| | (J8-J7) | : 1.2 ohms Max. |
| 6.0 | RETURN LOSS: 1MHz TO 30MHz | : -18dB MIN. |
| | 30MHz TO 60MHz | : -(19-20 LOG (f/30MHz)) |
| | 60MHz TO 80MHz | : -12dB MIN. |
| 7.0 | DIELECTRIC WITHSTAND: (J1, J2) TO (P1, P2) | : 1500 VAC |
| | (J3, J6) TO (P8, P7) | : 1500 VAC |
| 8.0 | INSERTION LOSS: 1MHz TO 65MHz | : -1.0 dB MAX |
| | 65MHz TO 100MHz | : -1.1 dB MAX |
| 9.0 | RISE TIME: OUTPUT VOLTAGE = 1 V peak | : 3.0 nS MAX |
| | PULSE WIDTH= 112nS | : 3.0 nS MAX |
| 10.0 | CROSS TALK: 1-100 MHz | : -35 dB TYP |
| 11.0 | COMMON TO COMMON MODE ATTENUATION: 1MHz TO 100MHz | : -45dB TYP |
| | 100MHz TO 200MHz | : -20dB MIN |

Bel Stewart C
11118 Susquehanna
Glen Rock, Pa 1732
717.234.7512



THIS DRAWING AND THE SUBJECT MATTER SHOWN THEREON ARE CONFIDENTIAL AND PROPERTY OF BEL STEWART CONNECTOR AND SHALL NOT BE REPRODUCED, COPIED, OR USED IN ANY MANNER WITHOUT PRIOR WRITTEN CONTENT OF BEL STEWART CONNECTOR. THE SUBJECT MATTER MAY BE PATENTED OR A PATENT MAY BE PENDING.

Bel Stewart C
 11118 Susquehanna
 Glen Rock, Pa 1732
 717.234.7512