

IDYLIS™

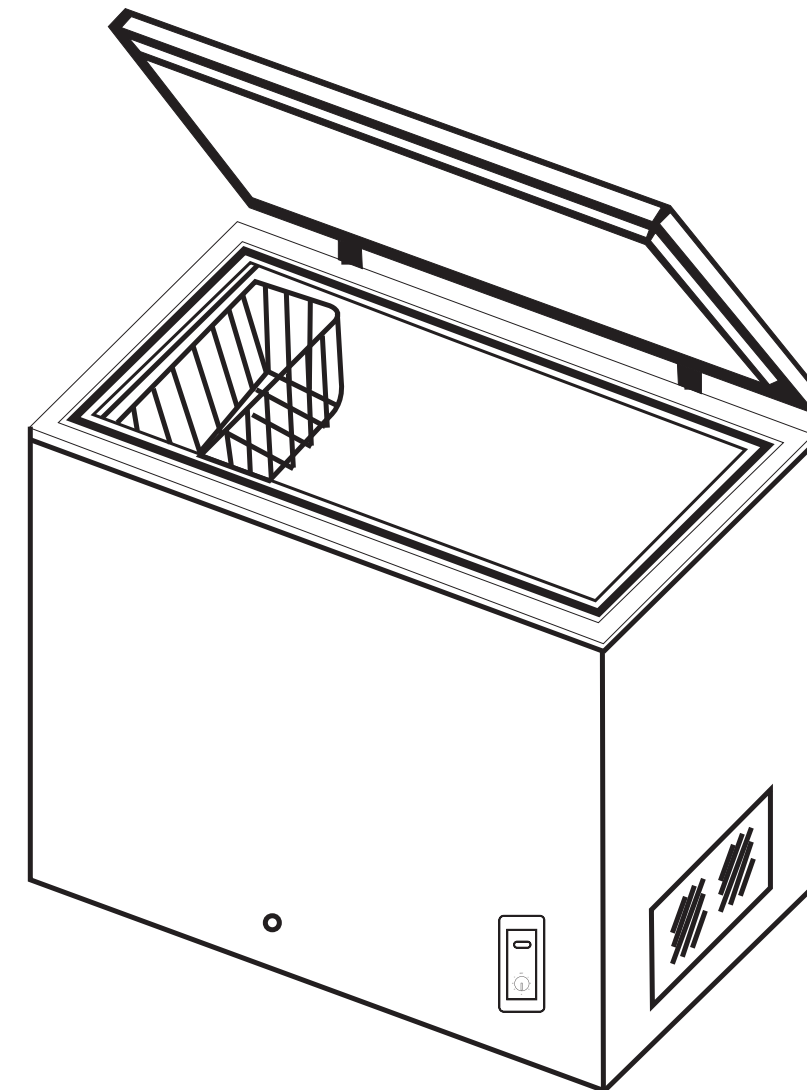
ITEMS #0462643, #0462646

5.0 / 7.0 CU. FT. CHEST FREEZER

MODELS #ICM050LC, #ICM070LC

Français p. 13

Español p. 25



ATTACH YOUR RECEIPT HERE

Serial Number _____ Purchase Date _____



Questions, problems, missing parts? Before returning to your retailer, call our customer service department at 1-800-643-0067, 8 a.m. - 6 p.m., EST, Monday - Thursday, 8 a.m. - 5 p.m., EST, Friday

TABLE OF CONTENTS

Package Contents3

Safety Information4

Installation Instructions5

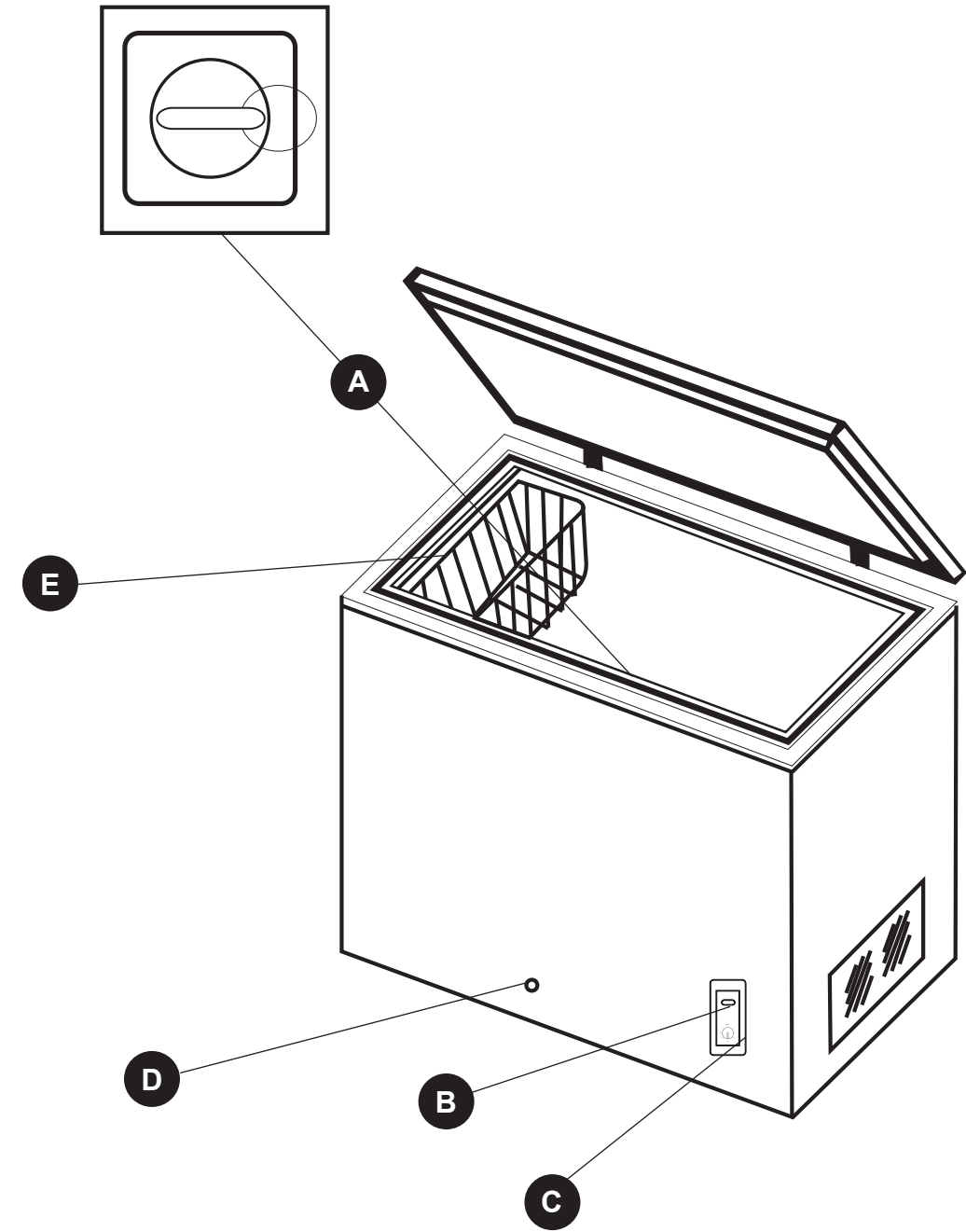
Operating Instructions6

Care and Maintenance8

Troubleshooting9

Warranty10

PACKAGE CONTENTS



PART	DESCRIPTION
A	Interior Drain Plug (see insert)
B	Temperature Control Adjustment
C	Power-On Indicator (green switch) (ICM070LC Only)
D	Exterior Drain Plug
E	Wire Basket

SAFETY INFORMATION

Please read and understand this entire manual before attempting to assemble, operate or install the product.

- Use this appliance only for its intended purpose as described in this use and care guide.
- This freezer must be properly installed in accordance with the installation instructions before it is used. See grounding instructions in the installation section.
- Never unplug your freezer by pulling on the power cord. Always grasp the plug firmly and pull straight out from the outlet.
- Repair or replace immediately all electric service cords that have become frayed or otherwise damaged. Do not use a cord that shows cracks or abrasion damage along its length, the plug or the connector end.
- Unplug your freezer before cleaning or before making any repairs. Note: If for any reason this product requires service, we strongly recommend that a certified technician performs the service.
- Do not use any electrical device or any sharp instrument in defrosting your freezer.
- If your old freezer is not being used, we recommend that you remove the doors and leave the shelves in place. This will reduce the possibility of danger to children.
- After your freezer is in operation, do not touch the cold surfaces in the freezer compartment, particularly when hands are damp or wet. Skin may adhere to these extremely cold surfaces.
- Do not refreeze foods which have been thawed completely. The United States Department of Agriculture in Home and Garden Bulletin No. 69 reads: "...You may safely refreeze frozen foods that have thawed if they still contain ice crystals or if they are still cold-below 40°F."
"...Thawed ground meats, poultry, or fish that have any off-odor or off-color should not be refrozen and should not be eaten. Thawed ice cream should be discarded. If the odor or color of any food is poor or questionable, discard it. The food may be dangerous to eat."
"...Even partial thawing and re-freezing reduce the eating quality of foods, particularly fruits, vegetables, and prepared foods. The eating quality of red meats is affected less than that of many other foods. Use refrozen foods as soon as possible, to save as much of its eating quality as you can."
- This freezer should not be recessed or built in an enclosed cabinet. It is designed for freestanding installation only.
- Do not operate your freezer in the presence of explosive fumes.

INSTALLATION INSTRUCTIONS

1. Remove all packaging material. This includes the foam base and all adhesive tape holding the freezer accessories inside and outside.
2. Inspect and remove any remains of packing, tape or printed materials before powering on the freezer

ADJUSTING YOUR FREEZER

- Your freezer is designed for freestanding installation only. It should not be recessed or built-in.
- Place the freezer on a floor strong enough to support it fully loaded.
- When moving the freezer, never tilt it more than a 45° angle. This could damage the compressor and the sealed system.
- If the freezer is tilted, let it stand in an upright position for at least 24 hours prior to plugging. This is to allow the refrigerant to settle.

PROPER AIR CIRCULATION

- To assure your freezer works at the maximum efficiency it was designed for, you should install it in a location where there is proper air circulation, plumbing and electrical connections.
- The following are recommended clearances around the freezer:
Sides.....4 in.
Back.....4 in.

ELECTRICAL REQUIREMENT

- Make sure there is a suitable power outlet (115 volts, 15 amps outlet) with proper grounding to power the freezer.
- Avoid the use of three plug adapters or cutting off the third grounding pin in order to accommodate a two plug outlet. This is a dangerous practice since it provides no effective grounding pin for the freezer and may result in shock hazard.

INSTALL LIMITATIONS

- Do not install your freezer in any location not properly insulated or heated, e.g. garage, etc. Your freezer was not designed to operate in temperature settings less than 55° or more than 90° Fahrenheit.
- Select a suitable location for the freezer on a hard, even surface away from direct sunlight or heat sources, e.g. radiators, baseboard heaters, cooking appliances, etc. Any floor unevenness should be corrected.

USE OF EXTENSION CORDS

- DO NOT use extension cords because of potential safety hazards under certain conditions.

OPERATING INSTRUCTIONS

- Once the freezer is in its proper place, plug it in an electrical outlet having 115 volts and 15 amps.
- Set the temperature on the temperature control knob, "1" being the warmest and "III" being the coldest. Initially set the temperature on "II". Place food inside the freezer (green light will come on indicating that the freezer is in operation). After using the freezer for 24 hours, set the freezer to your desired setting.
- In case you unplug your freezer or experience an electrical outage, allow 5 minutes before plugging it back in.

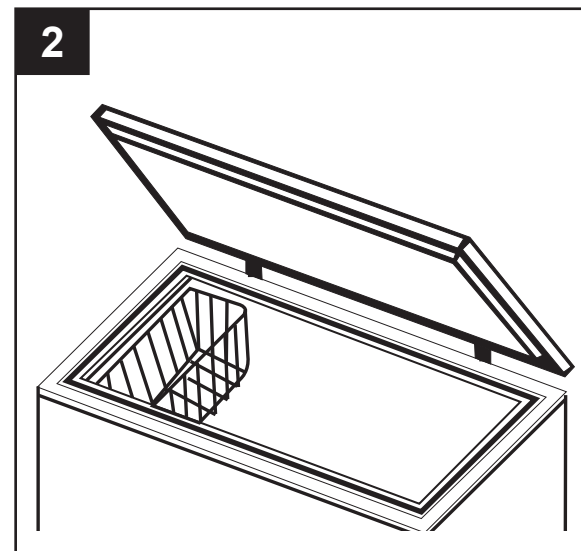
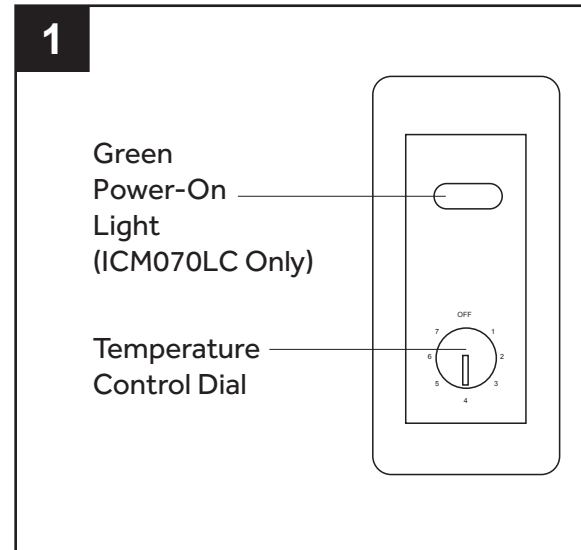
ADJUSTABLE TEMPERATURE DIAL

- Your freezer will automatically maintain the temperature level you select. The temperature control dial has 7 settings plus OFF. "1" is the warmest, "7" is the coldest. Turning the dial to OFF stops cooling the freezer. Set the dial to "4" and allow 24 hours to pass before adjusting the temperature to your needs.

(Note: If the freezer has been placed in a horizontal or tilted position for any period of time, wait 24 hours before plugging the unit in.)

FOOD STORAGE BASKET

- The removable basket allows you to store food more accessibly or you can remove it if not needed.



DEFROSTING AND DRAINING THE FREEZER

- Defrost whenever the frost becomes 1/4 in. thick. Never use a sharp or metallic instrument to remove the frost as it may damage the cooling coils. A punctured coil will void the warranty.
- Turn the temperature control to OFF position and unplug the unit. Remove the drain plug from the inside of the freezer. Defrosting usually takes a few hours. To defrost faster, keep the freezer door open.
- For draining, place a tray beneath the outer drain plug. Pull out the drain dial and rotate it so that the arrow points downward. This will let the water flow out in the tray. When done, push the drain dial in and turn the arrow to the up position. Re-plug the drain plug inside the freezer compartment.
Note: monitor the container under the drain to avoid overflow.
- Wipe the interior of the freezer and replace the electrical plug in the electrical outlet.
- Reset the temperature control to the desired setting.

FOOD STORAGE INFORMATION

- Wipe containers before storing to avoid needless spills.
- Hot food should be allowed to cool before storing in the freezer. This will prevent unnecessary energy use.
- When storing meats, keep in the original packaging or rewrap as necessary.
- Proper freezer storage requires correct packaging. All foods must be in packages which do not allow the flow of air or moisture in or out. Improper storage will result in odor and taste transfer and will result in the drying out of the improperly packaged food.
- Follow package or container instructions for proper storage.
- Packaging recommendations:
 - Plastic containers with air-tight lids
 - Heavy-duty aluminum foil
 - Plastic wrap
 - Self-sealing plastic bags
- Do not refreeze defrosted/thawed foods.
- It is recommended that the freezing date be marked on the packaging.

NORMAL OPERATING SOUNDS YOU MAY HEAR

- Boiling water, gurgling sounds or slight vibrations that are the result of the refrigerant circulating through the cooling coils.
- The thermostat control will click when it cycles on and off.

CARE AND MAINTENANCE

WARNING

To avoid electric shock, always unplug your freezer before cleaning. Ignoring this warning may result in death or injury.

CAUTION

Before using cleaning products, always read and follow manufacturer's instructions and warnings to avoid personal injury or product damage.

GENERAL

- Prepare a cleaning solution of 3 - 4 tablespoons of baking soda mixed with warm water. Use sponge or soft cloth, dampened with the cleaning solution, to wipe down your freezer.
- Rinse with clean warm water and dry with a soft cloth.
- Do not use harsh chemicals, abrasives, ammonia, chlorine bleach, concentrated detergents, solvents or metal scouring pads. Some of these chemicals may dissolve, damage and/or discolor your freezer.

DOOR GASKETS

- Clean door gaskets every three months according to general instructions. Gaskets must be kept clean and pliable to assure a proper seal.
- Petroleum jelly applied lightly on the hinge side of gaskets will keep the gasket pliable and assure a good seal.

POWER INTERRUPTIONS

- Occasionally there may be power interruptions due to thunderstorms or other causes. Remove the power cord from AC outlet when a power outage occurs. When power has been restored, replug power cord to AC outlet. If outage is for a prolonged period, inspect and discard spoiled or thawed food in freezer. Clean freezer before reusing.

VACATION AND MOVING CARE

- For long vacations or absences, empty food from freezer, move the temperature DIAL to the OFF position and clean the door gaskets. Prop doors open so air can circulate inside. When moving, always move the freezer vertically. Do not move with the unit lying down. Possible damage to the sealed system could occur.

TROUBLESHOOTING

PROBLEM	POSSIBLE REMEDY
Freezer does not operate	A. Make sure thermostat control is not in the "OFF" position. B. Make sure freezer is plugged in. C. Make sure there is power at the AC outlet by checking the circuit breaker. D. Wait for 30 - 40 minutes to see whether freezer will start. Compressor cycle must be complete to operate.
Food temperature appears too warm	A. Avoid frequent door openings. B. Allow time for recently added warm food to reach freezer temperature. C. Check gaskets for proper seal. D. Adjust temperature control to colder setting.
Food temperature is too cold	A. Adjust to a warmer setting and allow several hours for temperature to adjust.
Freezer runs too frequently	A. This may be normal to maintain constant temperature during high temperature and humid days. B. Check gasket for proper seal. C. Make sure doors are completely closed. D. Check freezer compartment for blockage from frozen food packages, containers, etc.
Freezer has an odor	A. Interior needs cleaning. B. Foods improperly wrapped or sealed are giving off odors. Properly wrap/seal food.

WARRANTY

This warranty covers all defects in workmanship or materials for a period of:

12 months for labor

12 months for parts

5 years sealed system

The warranty commences on the date the item was purchased and the original purchase receipt must be presented to the authorized service center before warranty repairs are rendered.

EXCEPTIONS:

Commercial or Rental Use warranty

90 days labor (carry-in only) 90 days parts No other warranty applies.

This warranty covers:

1. The mechanical and electrical parts which serve as a functional purpose of this appliance for a period of 12 months. This includes all parts except finish and trim.
2. The components of the sealed system, e.g. hermetic compressor, condenser and evaporator, from manufacturing defects for a period of 5 years from the date of purchase. Any damages to such components caused by mechanical abuse or improper handling or shipping will not be covered.

What will be done?

1. We will repair or replace, at our discretion, any mechanical or electrical part which proves to be defective in normal usage during the warranty period so specified.
2. There will be no charge to the purchaser for parts and labor on any covered items during the initial 12 month period. Beyond this period only parts are covered in the remaining warranty. Labor is not provided and must be paid by the customer.
3. Contact your nearest authorized service center. For the name of the nearest service center please call 1-800-643-0067, 8 a.m. - 6 p.m., EST, Monday - Thursday, 8 a.m. - 5 p.m., EST, Friday.

THIS WARRANTY COVERS APPLIANCES WITHIN THE CONTINENTAL UNITED STATES, PUERTO RICO AND CANADA. IT DOES NOT COVER THE FOLLOWING:

Damages from improper installation. Damages in shipping. Defects other than manufacturing.

Damage from misuse, abuse, accident, alteration, lack of proper care and maintenance or incorrect current or voltage.

Damage from other than household use. Damage from service by other than an authorized dealer or service center. Decorative trims or replaceable lightbulbs. Transportation and shipping. Labor (after the initial 12 months).

THIS LIMITED WARRANTY IS GIVEN IN LIEU OF ALL OTHER WARRANTIES, EXPRESSED OR INCLUDING THE WARRANTIES OF MERCHANTABILITY AND FITNESS FOR A PARTICULAR PURPOSE.

The remedy provided in this warranty is exclusive and is granted in lieu of all other remedies. This warranty does not cover incidental or consequential damages, so the above limitations may not apply to you. Some states do not allow limitations on how long an implied warranty lasts, so the above limitations may not apply to you. This warranty gives you specific legal rights, and you may have other rights which vary from state to state.

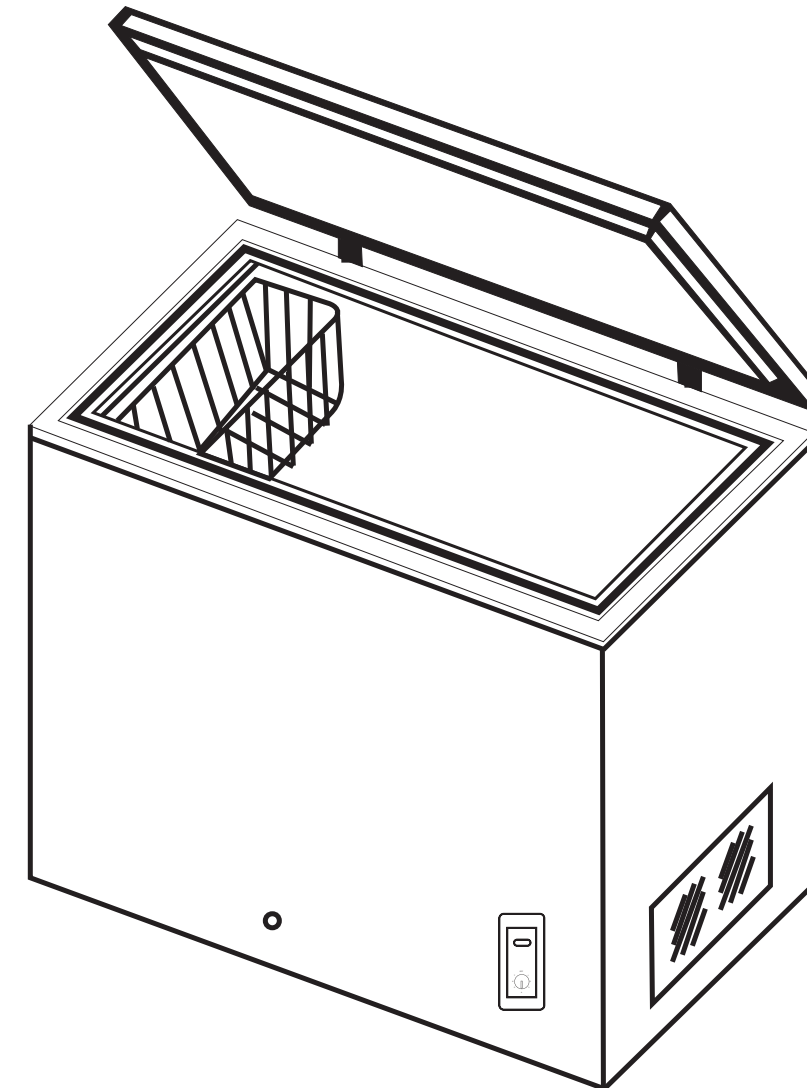
Printed in China

IDYLIS™

ARTICLE #0462643, #0462646

141,58 L / 198,21 L
CONGÉLATEUR
HORIZONTAL

MODÈLE #ICM050LC, #ICM070LC



JOIGNEZ VOTRE REÇU ICI

Numéro de série _____

Date d'achat _____

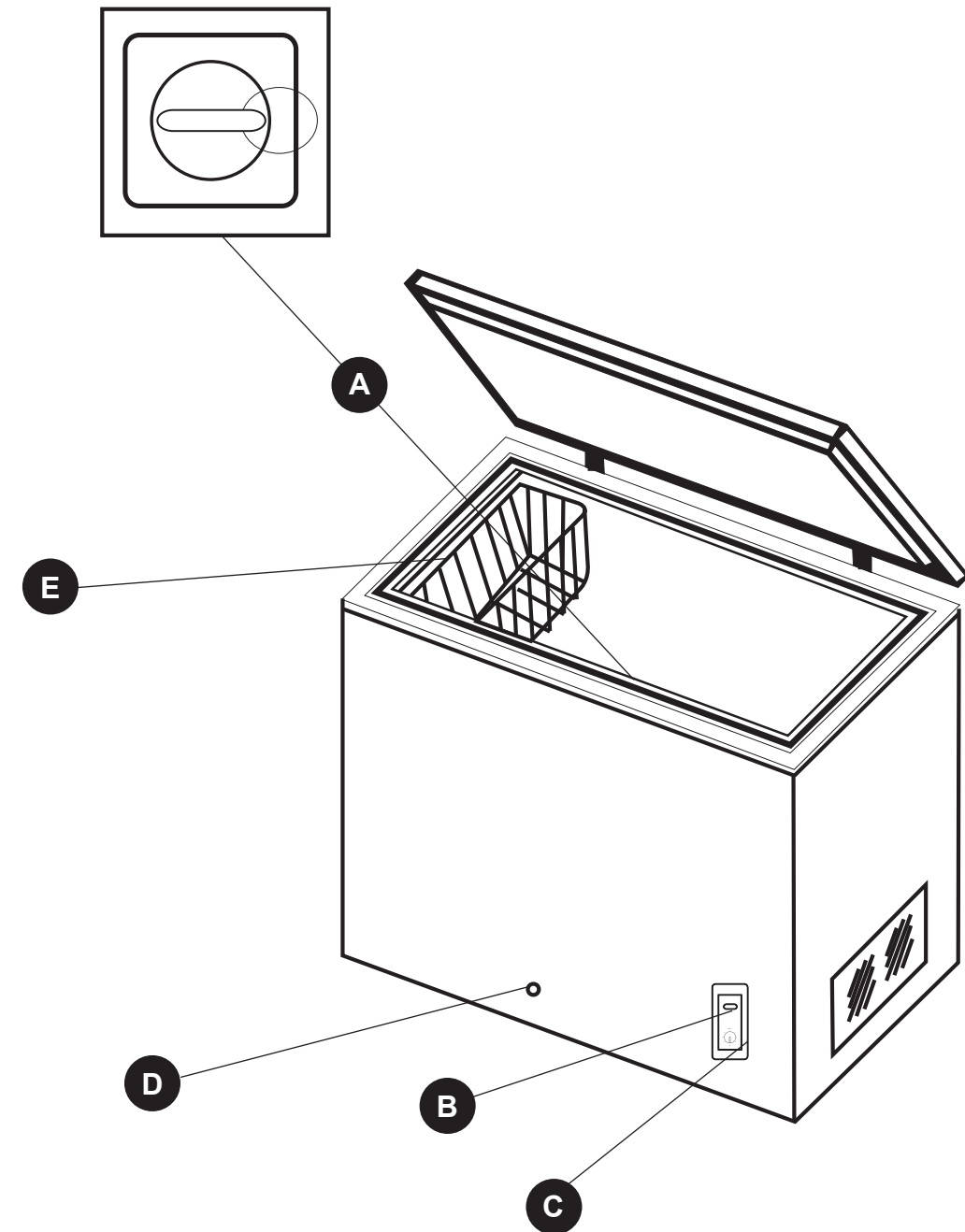


Des questions, des problèmes, des pièces manquantes? Avant de retourner l'article au détaillant, appelez notre service à la clientèle au 1 800 643-0067, entre 8 h et 18 h (HNE) du lundi au jeudi, ou entre 8 h et 17 h (HNE) le vendredi.

TABLE DES MATIÈRES

Contenu de l'emballage.....	15
Consignes de sécurité.....	16
Instructions pour l'installation.....	17
Mode d'emploi.....	18
Entretien.....	20
Dépannage.....	21
Garantie.....	22

CONTENU DE L'EMBALLAGE



PIÈCE	DESCRIPTION
A	Bouchon d'évacuation intérieur (voir l'encadré)
B	Réglage de température
C	Voyant d'alimentation (interrupteur vert) (ICM070LC Seulement)
D	Bouchon d'évacuation extérieur
E	Panier grillagé



CONSIGNES DE SÉCURITÉ

Assurez-vous de lire et de comprendre l'intégralité du présent manuel avant de tenter d'assembler, d'utiliser ou d'installer le produit.

- N'utilisez cet appareil que pour l'usage prévu dans ce guide d'utilisation et d'entretien.
- Le congélateur doit être installé conformément aux instructions pour l'installation avant d'être utilisé. Consultez les instructions de mise à la terre dans la section installation.
- Ne débranchez jamais le congélateur en tirant sur le cordon d'alimentation. Agrippez fermement la fiche et retirez-la de la prise en la tenant bien droite.
- Réparez ou remplacez immédiatement tous les cordons électriques endommagés ou usés. N'utilisez pas de cordon fendillé ou usé par frottement sur sa longueur ou à l'une ou l'autre de ses extrémités.
- Débranchez votre congélateur avant de le nettoyer ou de le réparer. Remarque: Si, pour une raison ou pour une autre, cet appareil nécessite une réparation, nous vous suggérons fortement de la faire faire par un technicien qualifié.
- N'utilisez aucun outil électrique ou tranchant lors du dégivrage du congélateur.
- Si vous n'utilisez pas votre vieux congélateur, nous vous recommandons d'enlever les portes, mais de laisser les tablettes en place. Cela diminuera les risques de danger pour les enfants.
- Une fois le congélateur en fonction, ne touchez pas les surfaces froides du compartiment, particulièrement si vos mains sont mouillées ou humides. La peau pourrait coller à ces surfaces extrêmement froides.
- Ne faites pas recongeler de la nourriture qui a été complètement décongelée. Le communiqué n° 69 du Department of Agriculture in Home and Garden des États-Unis indique que : « ... Vous pouvez recongeler en toute sécurité de la nourriture qui a été dégelée si celle-ci contient encore des cristaux de glace ou si sa température est inférieure à 4,5 °C. »
« La viande hachée, la volaille ou le poisson qui ont été décongelés et qui ont une couleur étrange ou une odeur suspectieuse ne devraient pas être recongelés et ne devraient pas être mangés. La crème glacée fondue devrait être jetée. Si l'odeur ou la couleur de n'importe quel aliment n'est pas comme elle devrait l'être, jetez-le. Cet aliment pourrait être non comestible. »
« ...Même si la nourriture n'a été que partiellement dégelée avant d'être recongelée, sa qualité nutritionnelle diminue, particulièrement pour les fruits, les légumes et les aliments précuits. Par contre, la qualité nutritionnelle de la viande rouge est moins affectée par une recongélation que celle des autres aliments. Utilisez les aliments recongelés le plus tôt possible afin de préserver le maximum de leur qualité nutritionnelle. »
- Ce congélateur ne doit pas être encastré ou installé dans une armoire fermée. Il est conçu en tant qu'installation autoportante seulement.
- N'utilisez pas ce congélateur en présence de vapeurs explosives.

INSTRUCTIONS POUR L'INSTALLATION

1. Retirez tous les matériaux d'emballage. Cela inclut le fond en mousse et tous les rubans adhésifs retenant les accessoires du congélateur à l'intérieur et à l'extérieur de celui-ci.
2. Procédez à une inspection et retirez tout ce qu'il reste de l'emballage ainsi que les rubans adhésifs ou les documents imprimés avant de mettre le congélateur en marche.

RÉGLAGE DU CONGÉLATEUR

- Votre congélateur est conçu en tant qu'installation autoportante seulement. Il ne doit pas être encastré ou intégré à une armoire.
- Mettez le congélateur sur un plancher assez solide pour le supporter lorsqu'il est entièrement rempli.
- Lorsque vous déplacez le congélateur, ne l'inclinez jamais à plus de 45°. Cela pourrait endommager le compresseur et le système scellé.
- Si le congélateur a été incliné, laissez-le en position verticale pendant un minimum de 24 heures avant de le brancher. Cela permettra au réfrigérant de se stabiliser.

CIRCULATION D'AIR ADÉQUATE

- Afin que votre congélateur ait le rendement maximal pour lequel il a été créé, installez-le à un endroit où la circulation d'air, les connexions électriques et les raccords de plomberies sont adéquats.
- Voici les distances minimales à avoir autour du congélateur :
Côtés.....10,16 cm
Arrière.....10,16 cm

CARACTÉRISTIQUES ÉLECTRIQUES

- Assurez-vous d'avoir une prise de courant adéquate (prise de 115 volts et de 15 ampères) avec mise à la terre pour alimenter le congélateur.
- N'utilisez pas d'adaptateur pour fiche à trois broches et ne coupez pas la troisième broche de mise à la terre afin d'utiliser une fiche à deux prises. Cette pratique est dangereuse puisqu'il n'y a alors pas de mise à la terre pour le congélateur et cela pourrait causer un choc électrique.

LIMITATIONS DE L'INSTALLATION

- N'installez pas votre congélateur dans un endroit qui n'est pas bien isolé ou chauffé (par exemple, un garage). Votre congélateur n'a pas été conçu pour fonctionner à moins de 13 °C ou à plus de 32 °C Celsius.
- Choisissez un emplacement convenable pour le congélateur, sur une surface dure et plane, loin de la lumière directe du soleil et de toute source de chaleur (par exemple, radiateur, plinthe électrique, appareil de cuisson, etc.) Toute inégalité du plancher doit être corrigée.

UTILISATION DES RALLONGES

- N'utilisez PAS de rallonges en raison du risque d'accident susceptible de se présenter dans certaines conditions.

MODE D'EMPLOI

- Une fois le congélateur placé au bon endroit, branchez-le dans une prise de courant de 115 volts et de 15 ampères.
- Réglez la température avec le bouton de réglage de la température, « I » étant le moins froid et « III » étant le plus froid. Au départ, réglez la température à « II ». Placez la nourriture à l'intérieur du congélateur (le voyant vert s'allumera lorsque le congélateur sera en marche). Après avoir utilisé le congélateur pendant 24 heures, réglez la température comme vous le désirez.
- Si vous débranchez votre congélateur ou si vous subissez une panne de courant, attendez 5 minutes avant de le rebrancher.

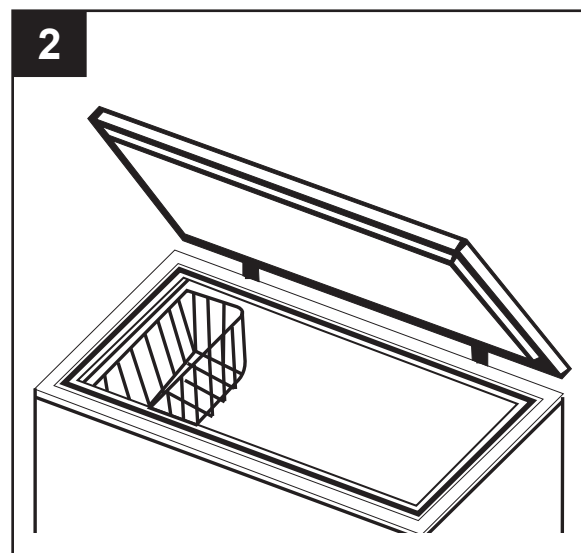
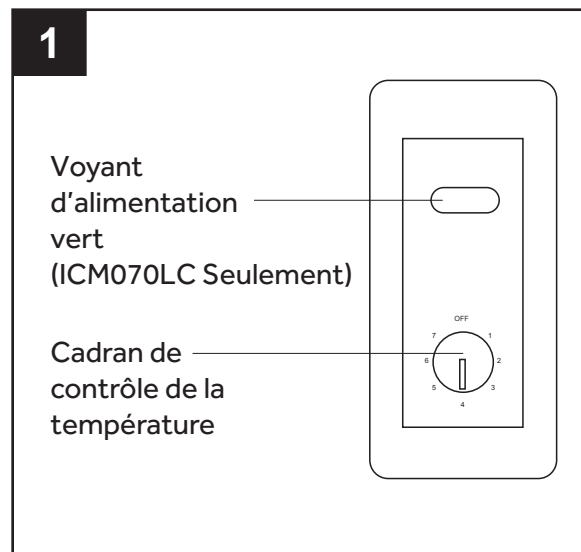
CADRAN D'AJUSTEMENT DE LA TEMPÉRATURE

- Votre congélateur maintiendra automatiquement la température choisie. Le cadran de contrôle de la température comprend 7 réglages ainsi que l'option OFF (arrêt). « 1 » est le moins froid et « 7 » est le plus froid. Tourner le cadran à la position OFF (arrêt) arrête le refroidissement du congélateur. Réglez le cadran à « 4 » et attendez 24 heures avant de l'ajuster à la température désirée.

(Remarque: Si le congélateur a été placé en position horizontale ou inclinée, peu importe la durée pendant laquelle il a été dans cette position, attendez 24 heures avant de brancher l'unité.)

PANIER DE RANGEMENT POUR LA NOURRITURE

- Ce panier amovible vous permet de ranger la nourriture de façon plus accessible ou vous pouvez simplement l'enlever si vous n'en avez pas besoin.



DÉGIVRER ET VIDER LE CONGÉLATEUR

- Dégivrez le congélateur dès que le givre a atteint une épaisseur de 6,4 mm. N'utilisez jamais d'outils tranchants ou métalliques pour enlever le givre, car cela pourrait endommager les serpentins de refroidissement. Un serpentin percé annulera la garantie.
- Réglez la température à OFF (arrêt) et débranchez l'unité. Enlevez le bouchon d'évacuation à l'intérieur du congélateur. Le dégivrage dure généralement quelques heures. Pour que le dégivrage soit plus rapide, laissez la porte du congélateur ouverte.
- Pour vider le congélateur, placez un contenant sous le bouchon d'évacuation extérieur. Tirez sur le bouchon et tournez-le afin que la flèche pointe vers le bas. Cela permettra à l'eau de couler dans le contenant. Une fois terminé, poussez le bouchon en place et tournez la flèche afin qu'elle pointe vers le haut. Remettez en place le bouchon d'évacuation qui se trouve à l'intérieur du congélateur. Remarque : Surveillez le contenant qui se trouve sous le bouchon extérieur afin d'éviter qu'il ne déborde.
- Essuyez l'intérieur du congélateur et rebranchez la fiche dans la prise.
- Réajustez la température au réglage voulu.

RENSEIGNEMENTS RELATIFS AU RANGEMENT DE LA NOURRITURE

- Essuyez les pots avant de les ranger afin d'éviter les renversements inutiles.
- Laissez refroidir les aliments chauds avant de les mettre au congélateur. Ceci permettra d'éviter les dépenses d'énergie inutiles.
- Lorsque vous rangez de la viande, gardez-la dans son emballage original ou remballiez-la si nécessaire.
- Tout ce qui va dans le congélateur doit être emballé adéquatement. Tous les aliments doivent être dans des emballages qui ne permettent pas à l'air ou à l'humidité d'y entrer ou d'en sortir. Un rangement inadéquat entraînera des odeurs et un changement du goût des aliments. Cela fera aussi sécher les aliments qui ne seront pas emballés adéquatement.
- Respectez les indications de l'emballage des aliments afin de les ranger de façon adéquate.
- Emballages recommandés:
 - Plats en plastique munis de couvercles étanches
 - Papier d'aluminium résistant
 - Emballage en plastique
 - Sacs en plastique refermables
- Ne faites pas recongeler de la nourriture dégivrée ou décongelée.
- Il est recommandé d'inscrire la date de congélation sur l'emballage.

SONS QU'IL EST POSSIBLE D'ENTENDRE LORSQUE LE CONGÉLATEUR EST EN MARCHE

- De l'eau qui bout, des gargouillis ou de légères vibrations qui résultent des réfrigérants circulant dans les serpentins refroidisseurs.
- Le cliquetis du thermostat qui s'allume et qui s'éteint.

ENTRETIEN

AVERTISSEMENT

Pour prévenir les chocs électriques, débranchez toujours votre congélateur avant de le nettoyer. Le fait de ne pas tenir compte de cette directive peut entraîner des blessures graves ou mortelles.

MISE EN GARDE

Avant d'utiliser des produits de nettoyage, lisez toujours les instructions ainsi que les mises en garde du fabricant et conformez-vous à celles-ci pour éviter les risques de blessure ou de dommage à l'appareil.

GÉNÉRAL

- Préparez une solution de nettoyage composée de 3 ou 4 cuillérées à table de bicarbonate de soude et d'eau tiède. Humectez une éponge ou un linge doux à l'aide de cette solution et nettoyez votre congélateur.
- Rincez à l'eau propre et tiède, puis séchez avec un linge doux.
- N'utilisez pas de produits chimiques forts, de produits abrasifs, d'ammoniaque, de javellisant, de détergent concentré, de solvants ni de tampons à recurer métalliques. Certains de ces produits chimiques peuvent corroder, endommager ou décolorer votre congélateur.

JOINT DE LA PORTE

- Nettoyez les joints de la porte tous les trois mois selon les consignes générales. Les joints doivent être gardés propres et souples afin d'assurer l'étanchéité.
- Appliquez délicatement de la gelée de pétrole sur les joints du côté charnières gardera ces derniers souples et en assurera l'étanchéité.

PANNES DE COURANT

- Des pannes de courant sont susceptibles de se produire à l'occasion, provoquées par des orages ou d'autres raisons. Retirez le cordon d'alimentation de la prise c.a. lorsqu'une panne de courant se produit. Lorsque le courant est rétabli, rebranchez le cordon d'alimentation dans la prise c.a. Si la panne se prolonge sur une longue période, inspectez la nourriture dans le congélateur et jetez-la si elle est décongelée ou avariée. Nettoyez le congélateur avant de le réutiliser.

ENTRETIEN PENDANT LES VACANCES ET LES DÉPLACEMENTS

- Si vous vous absentez pendant une longue période (pendant les vacances, par exemple), videz le congélateur, mettez la température à OFF (arrêt) et nettoyez les joints de la porte. Assurez-vous que les portes demeurent ouvertes afin que l'air puisse circuler à l'intérieur. Si vous déménagez le congélateur, transportez celui-ci à la verticale. Ne déménagez pas l'unité en position couchée. Cela pourrait endommager le système scellé.

DÉPANNAGE

PROBLÈME	SOLUTION POSSIBLE
Le congélateur ne fonctionne pas	A. Assurez-vous que le bouton de réglage de la température n'est pas à la position « OFF » (arrêt). B. Assurez-vous que le congélateur est branché. C. Assurez-vous qu'il y a du courant dans la prise c.a. en vérifiant le disjoncteur. D. Attendez de 30 à 40 minutes pour voir si le congélateur fonctionnera. Le cycle du compresseur doit être complet pour fonctionner.
La température de la nourriture est trop élevée	A. Évitez d'ouvrir les portes trop souvent. B. Laissez la nourriture entreposée récemment atteindre la température du congélateur. C. Vérifiez l'étanchéité des joints. D. Réglez la température à un niveau plus bas.
La température de la nourriture est trop froide	A. Réglez le thermostat afin que la température soit moins froide et attendez quelques heures pour que celle-ci s'ajuste.
Le congélateur fonctionne trop souvent	A. Ceci est normal afin de maintenir la température constante durant des journées chaudes et humides. B. Vérifiez l'étanchéité des joints. C. Assurez-vous que les portes sont bien fermées. D. Vérifiez si le congélateur n'est pas bloqué par de la nourriture congelée, des contenants, etc.
Le congélateur dégage une odeur	A. L'intérieur doit être nettoyé. B. La nourriture qui n'est pas emballée ou scellée adéquatement dégage des odeurs. Emballez et scellez correctement la nourriture.

GARANTIE

La présente garantie couvre tous les défauts de fabrication et de matériaux pour une période de :
12 mois pour la main-d'œuvre
12 mois pour les pièces
5 ans pour le système scellé

La garantie débute à compter de la date d'achat de l'article. Le reçu de vente original doit être présenté au centre de service autorisé avant l'exécution de la garantie.

EXCEPTIONS:

Garantie pour usage commercial ou locatif

90 jours pour la main-d'œuvre (vous devez vous déplacer) et 90 jours pour les pièces. Aucune autre garantie n'est applicable.

Cette garantie couvre:

1. Les pièces mécaniques et électriques qui servent à faire fonctionner cet appareil, pour une période de 12 mois. Ceci inclut toutes les pièces sauf la finition et les bordures.
2. Les composantes du système scellé (le compresseur hermétique, le condensateur et l'évaporateur, etc.), contre les défauts de fabrication pour une période de 5 ans à compter de la date d'achat. Les dommages causés à ces composantes dus à un abus mécanique, à une manipulation inadéquate ou à la livraison ne seront pas couverts.

Que ferons-nous?

1. Nous réparerons ou remplacerons, à notre discrétion, toutes pièces mécaniques ou électriques qui s'avèrent défectueuses après un usage normal, et ce, au cours de la période de garantie.
2. Aucuns frais ne seront facturés à l'acheteur, que ce soit pour des pièces ou de la main-d'œuvre pour tous les articles couverts au cours de la période initiale de 12 mois. Après cette période, seules les pièces sont couvertes par la garantie restante. La main-d'œuvre ne sera pas fournie et devra être payée par les clients.
3. Communiquez avec le centre de service autorisé le plus près. Pour le nom du centre de service le plus près, veuillez composer le 1 800 643-0067, entre 8 h et 18 h (HNE) du lundi au jeudi, ou entre 8 h et 17 h (HNE) le vendredi.

CETTE GARANTIE COUVRE LES APPAREILS AUX ÉTATS-UNIS, À PORTO RICO ET AU CANADA. ELLE NE COUVRE PAS CE QUI SUIT :

Les dommages causés par une installation inadéquate, les dommages subis pendant la livraison, les défauts autres que ceux de fabrication;

Les dommages causés par un usage inapproprié, un usage abusif, un accident, une modification, un entretien inadéquat ou un voltage ainsi qu'un courant inapproprié;

Les dommages causés par un autre usage qu'un usage domestique, les dommages causés par une réparation ou un entretien effectué par un autre qu'un détaillant ou un centre de service autorisé, les bordures décoratives ou les ampoules remplaçables, l'expédition et le transport, la main-d'œuvre (après les 12 mois initiaux).

LA PRÉSENTE GARANTIE LIMITÉE REMPLACE TOUTE AUTRE GARANTIE EXPRESSE, Y COMPRIS TOUTE GARANTIE DE QUALITÉ MARCHANDE OU DE CONFORMITÉ À UN USAGE PARTICULIER.

La présente garantie constitue l'unique recours de l'acheteur et remplace tout autre recours. Cette garantie ne couvre pas les dommages accessoires ou consécutifs, de sorte que les limitations mentionnées ci-dessus peuvent ne pas s'appliquer à vous. Certains États ou certaines provinces ne permettent pas de limitations quant à la durée des garanties implicites, de sorte que les limitations indiquées ci-dessus peuvent ne pas s'appliquer à vous. Cette garantie vous confère des droits précis. Il est possible que vous disposiez d'autres droits, qui varient d'un État ou d'une province à l'autre.

Imprimé en Chine

IDYLIS® est une marque de commerce
déposée de LF, LLC. Tous droits réservés.

www.lowes.com

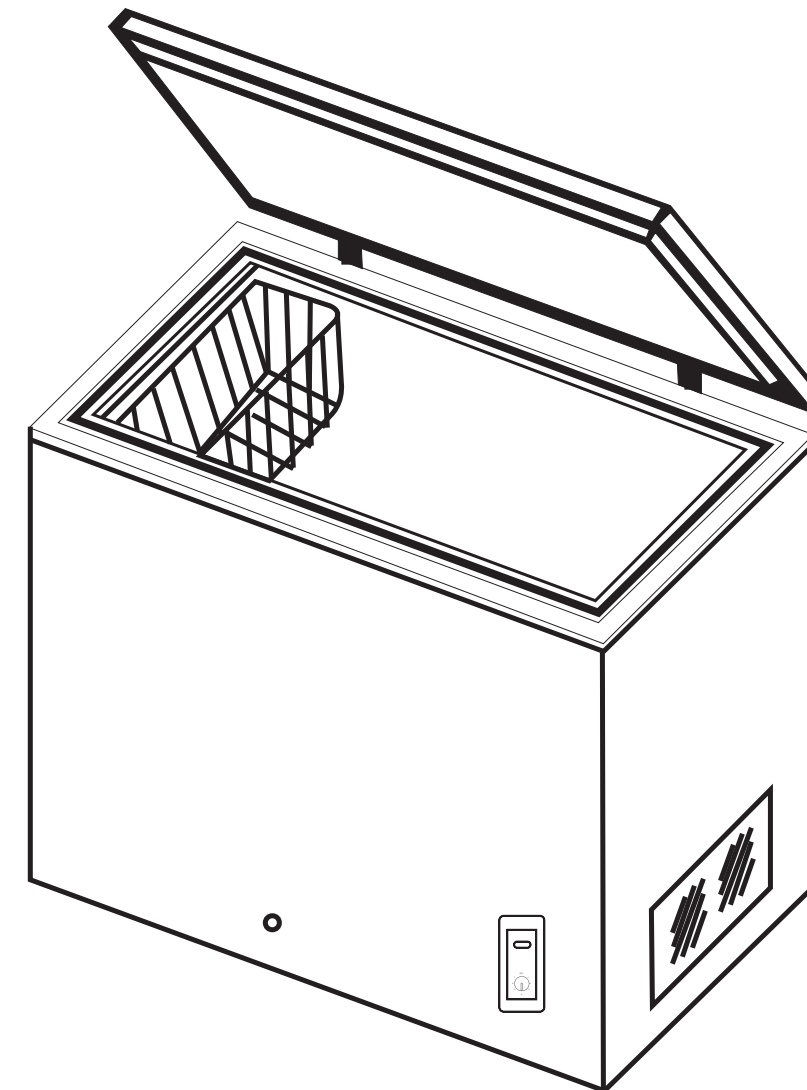
IDYLIS®

IDYLIS™

ARTÍCULOS #0462643, #0462646

CONGELADOR HORIZONTAL DE 5.0 PIES CÚBICOS / 7.0 PIES CÚBICOS

MODELOS #ICM050LC, #ICM070LC



ADJUNTE SU RECIBO AQUÍ

Número de serie _____ Fecha de compra _____

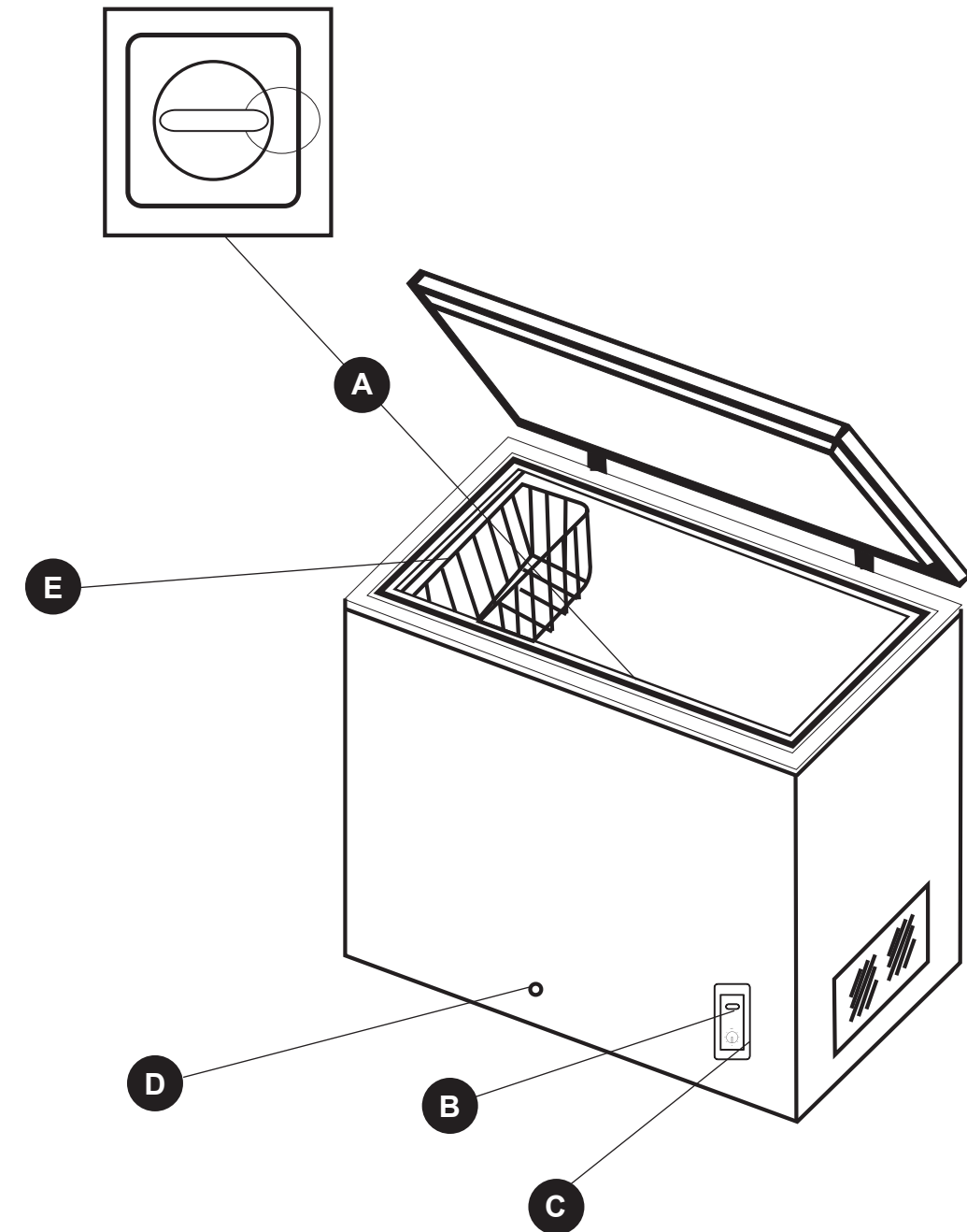


¿Preguntas, problemas, piezas faltantes? Antes de volver a la tienda, llame a nuestro Departamento de Servicio al Cliente al 1-800-643-0067, de lunes a jueves de 8 a.m. a 6 p.m., y los viernes de 8 a.m. a 5 p.m., hora estándar del Este.

ÍNDICE

Contenido del paquete	27
Información de seguridad	28
Instrucciones de instalación	29
Instrucciones de funcionamiento	30
Cuidado y mantenimiento	32
Solución de problemas	33
Garantía	34

CONTENIDO DEL PAQUETE



PIEZA	DESCRIPCIÓN
A	Tapón de desagüe interior (ver accesorio)
B	Regulación del control de temperatura
C	Indicador de encendido (interruptor verde) (ICM070LC Solamente)
D	Tapón de desagüe exterior
E	Cesta de alambre



INFORMACIÓN DE SEGURIDAD

Lea y comprenda completamente este manual antes de intentar ensamblar, usar o instalar el producto.

- Use este electrodoméstico solo para el fin previsto según se describe en esta guía de uso y cuidado.
- Antes de usar este congelador, debe estar instalado de manera adecuada de acuerdo con las instrucciones de instalación. Consulte las instrucciones de puesta a tierra incluidas en la sección de instalación.
- Nunca tire del cable para desenchufar el congelador. Siempre tome el enchufe firmemente y tire de forma recta hacia fuera del tomacorriente.
- Repare o reemplace inmediatamente todos los cables de servicio que estén deshilachados o dañados. No use un cable que muestre señales de grietas o daños por abrasión en su largo, en el enchufe o en el extremo del conector.
- Desenchufe el congelador antes de limpiar o después de realizar las reparaciones.
Nota: Si por algún motivo se debe realizar un servicio al producto, recomendamos enfáticamente que un técnico certificado lleve a cabo dicho procedimiento.
- No use ningún dispositivo eléctrico o instrumento filoso para descongelar el congelador.
- Si no está usando su antiguo congelador, le recomendamos que le quite las puertas y que deje los estantes en su lugar. Esto reducirá la posibilidad de peligros para los niños.
- Después de poner el congelador en marcha, no toque las superficies frías en el compartimiento del congelador, especialmente si tiene las manos húmedas o mojadas. La piel podría adherirse a estas superficies extremadamente frías.
- No vuelva a congelar alimentos que han sido descongelados por completo. En el boletín Home and Garden No. 69 del Departamento de Agricultura de los Estados Unidos, se establece lo siguiente al respecto: "... Puede volver a congelar alimentos congelados que han sido descongelados si aún contienen cristales de hielo o si su temperatura aún es inferior a 40 °F".
"... Las carnes rojas, de ave o de pescado picadas con mal olor o con color anormal no deben volver a congelarse ni deben consumirse. El helado descongelado debe desecharse. Si el olor o el color de cualquier alimento son desagradables o dudosos, deséchelo. Consumirlo puede ser peligroso".
"... Incluso el descongelamiento parcial y el recongelamiento reducen la calidad de consumo de los alimentos, especialmente de las frutas, los vegetales y las comidas preparadas. La calidad de consumo de las carnes rojas es menos afectada que la de muchos otros alimentos. Use los alimentos descongelados tan pronto como sea posible, para preservar su calidad de consumo tanto como pueda".
- Este congelador no debe ser empotrado o integrado en un gabinete cerrado. Está diseñado para ser instalado en forma independiente solamente.
- No use el congelador en presencia de vapores explosivos.

INSTRUCCIONES DE INSTALACIÓN

1. Retire todo el material del embalaje. Esto incluye toda la base de espuma y toda la cinta adhesiva que sujeta los accesorios del congelador en el interior y en el exterior.
2. Antes de encender el congelador, inspeccione y quite los restos de embalaje, cinta o materiales impresos.

REGULACIÓN DEL CONGELADOR

- El congelador está diseñado para ser instalado en forma independiente solamente. No debe ser empotrado o integrado en otra cavidad.
- Coloque el congelador en un piso suficientemente resistente para soportar su peso.
- Al mover el congelador, nunca lo incline en un ángulo superior a 45°. Hacerlo podría dañar el compresor y el sistema de sellado.
- Si el congelador es inclinado, déjelo reposar en posición vertical al menos durante 24 horas antes de enchufarlo. Esto permitirá que el refrigerante se asiente.

CORRECTA CIRCULACIÓN DE AIRE

- Para garantizar que el congelador funcione con la eficacia máxima para la que fue diseñado, debe instalarlo en un lugar con una circulación de aire, una plomería y conexiones eléctricas adecuadas.
- Se recomienda dejar las siguientes distancias en torno al congelador:
Laterales.....4 pulg.
Parte posterior.....4 pulg.

REQUISITOS ELÉCTRICOS

- Para encender el congelador, asegúrese de usar un tomacorriente adecuado (salida de 115 voltios, 15 amperios) con una puesta a tierra correcta.
- Evite usar adaptadores para enchufes de tres clavijas o quitarle la clavija de puesta a tierra para adaptarlo a un tomacorriente para enchufes de dos clavijas. Esta es una práctica peligrosa, dado que no proporciona una clavija de puesta a tierra eficaz para el congelador y podría conllevar un riesgo de descarga eléctrica.

LIMITACIONES DE INSTALACIÓN

- No instale el congelador en ningún lugar que no esté correctamente aislado o calefaccionado, por ejemplo, un garaje, etc. El congelador no fue diseñado para funcionar en ambientes con temperaturas inferiores a 55 °F o superiores a 90°F.
- Seleccione un lugar adecuado para colocar el congelador, con una superficie firme y nivelada, y alejado de la luz solar directa y otras fuentes de calor, por ejemplo, radiadores, calentadores de zócalo, electrodomésticos de cocina, etc. Cualquier desnivel en el piso debe corregirse.

USO DE EXTENSIONES ELÉCTRICAS

- NO use extensiones eléctricas, debido a posibles riesgos de seguridad en determinadas condiciones.

INSTRUCCIONES DE FUNCIONAMIENTO

- Una vez que el congelador esté instalado en un lugar correcto, enchúfelo en un tomacorriente de 115 voltios y 15 amperios.
- Ajuste la temperatura con la perilla de control de temperatura, donde "I" es el nivel menos frío y "III", el más frío. Inicialmente, configure la temperatura en "II". Coloque los alimentos en el congelador (la luz verde se encenderá, lo que indica que el congelador está en funcionamiento). Después de usar el congelador durante 24 horas, ajuste el congelador según la configuración deseada.
- En el caso de que desenchufe el congelador o de que sufra un corte en el suministro de energía, espere 5 minutos antes de volver a enchufarlo.

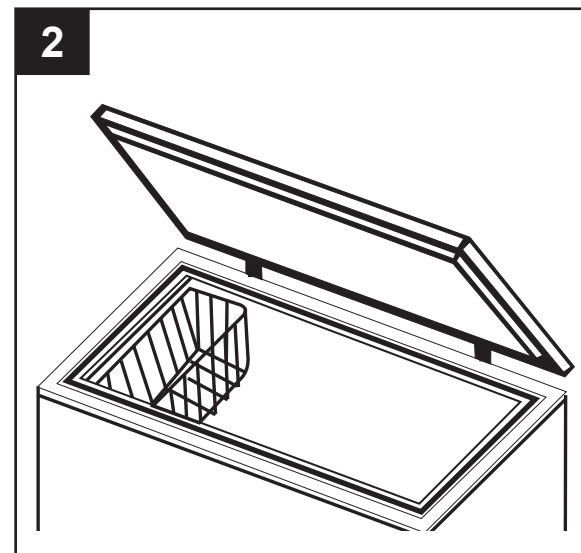
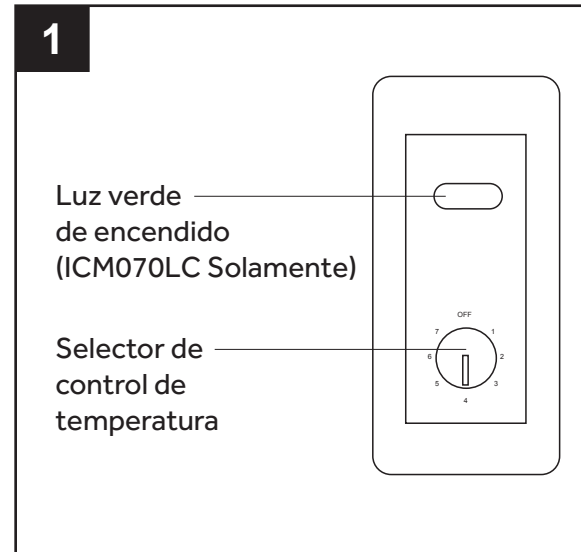
SELECTOR DE TEMPERATURA REGULABLE

- El congelador mantendrá automáticamente el nivel de temperatura que seleccione. El selector de temperatura tiene 7 configuraciones más la posición OFF (APAGADO). "1" es el nivel menos frío y "7", el más frío. Colocar el selector en la posición OFF (APAGADO) detiene el enfriamiento del congelador. Ajuste el selector en "4" y permita que transcurran 24 horas antes de regular la temperatura de acuerdo con su necesidad.

(Nota: Si el congelador fue inclinado o colocado en posición horizontal durante un período prolongado, espere 24 horas antes de enchufarlo).

CESTA PARA ALMACENAJE DE ALIMENTOS

- La cesta desmontable le permite almacenar alimentos con mayor accesibilidad o puede quitarla si no la necesita.



DESCONGELAMIENTO Y DESAGÜE DEL CONGELADOR

- Descongele siempre que la escarcha alcance ¼ pulg. de espesor. Nunca use un instrumento filoso o metálico para quitar la escarcha, dado que podría dañar las bobinas de enfriamiento. La pinchadura de una bobina anulará la garantía.
- Gire el control de temperatura a la posición OFF (APAGADO) y desenchufe la unidad. Quite el tapón de desagüe del interior del congelador. Generalmente, el descongelamiento lleva varias horas. Para descongelar más rápido, deje la puerta del congelador abierta.
- Para el desagüe, coloque una bandeja debajo del tapón de desagüe exterior. Jale del selector de desagüe hacia fuera y gírelo de modo que la flecha apunte hacia abajo. Esto permitirá que el agua drene a la bandeja. Una vez terminado el proceso, presione el selector de desagüe hacia adentro y gire la flecha hacia arriba. Vuelva a colocar el tapón de desagüe en el compartimiento del congelador. Nota: Controle el contenedor debajo del desagüe para evitar que rebose.
- Limpie el interior del congelador y vuelva a insertar el enchufe en el tomacorriente.
- Vuelva a ajustar el control de temperatura en la configuración deseada.

INFORMACIÓN SOBRE EL ALMACENAJE DE ALIMENTOS

- Limpie los contenedores antes de almacenarlos para evitar derrames innecesarios.
- Antes de almacenar alimentos calientes en el congelador, es preciso dejar que se enfríen. Eso evitará el uso innecesario de energía.
- Al almacenar carnes, conserve el embalaje original o vuelva a envolverlas, según sea necesario.
- El almacenaje adecuado en congelador requiere de un embalaje correcto. Todos los alimentos deben estar en paquetes que no permitan la circulación de aire o humedad. El almacenaje incorrecto comportará transferencia de olores y sabores, y el secado de los alimentos mal embalados.
- Siga las instrucciones del paquete o del contenedor para el correcto almacenaje.
- Recomendaciones de almacenaje:
 - Contenedores plásticos con tapas herméticas
 - Papel de aluminio resistente
 - Envoltura de plástico
 - Bolsas plásticas con autosellado
- No vuelva a congelar alimentos descongelados.
- Se recomienda marcar la fecha de congelamiento en el embalaje.

RUIDOS NORMALES DE FUNCIONAMIENTO QUE PUEDE OÍR

- Agua hirviendo, gorgoteos o vibraciones leves que son consecuencia de la circulación de refrigerante a través de las bobinas de enfriamiento.
- El control termostático hará un clic cuando se apague y se encienda.

CUIDADO Y MANTENIMIENTO

ADVERTENCIA

Para evitar descargas eléctricas, siempre desenchufe el congelador antes de limpiarlo. Ignorar esta advertencia puede provocar la muerte o lesiones.

PRECAUCIÓN

Antes de usar productos de limpieza, siempre lea y siga las instrucciones y advertencias del fabricante para evitar lesiones corporales o daños al producto.

GENERAL

- Prepare una solución de limpieza de 3 a 4 cucharadas de bicarbonato de sodio mezclado con agua tibia. Use una esponja o un paño suave humedecido con la solución de limpieza para limpiar el congelador.
- Enjuague con agua tibia limpia y seque con un paño seco.
- No use químicos agresivos, abrasivos, amoníaco, blanqueador con cloro, detergentes concentrados, solventes o almohadillas metálicas abrasivas. Algunos de estos químicos puede disolver, dañar o decolorar el congelador.

EMPAQUETADURAS DE LA PUERTA

- Limpie las empaquetaduras de la puerta cada tres meses, conforme a las instrucciones generales. Las empaquetaduras deben mantenerse limpias y flexibles para asegurar un sellado adecuado.
- La aplicación ligera de vaselina en el lado de las bisagras de las empaquetaduras conservará la flexibilidad de las empaquetaduras y asegurará un sellado adecuado.

INTERRUPCIONES EN EL SUMINISTRO ELÉCTRICO

- Puede ocurrir que ocasionalmente existan interrupciones de energía debido a tormentas eléctricas u otras causas. Cuando ocurra un corte de electricidad, retire el cable del tomacorriente de CA. Cuando se restablezca la electricidad, vuelva a enchufar el cable en el tomacorriente de CA. Si la duración de la interrupción en el suministro de energía es prolongada, inspeccione el congelador en busca de alimentos descongelados o echados a perder. Limpie el congelador antes de volver a usarlo.

CUIDADO EN CASO DE MUDANZA O VACACIONES

- En el caso de largos períodos de ausencia o vacaciones, vacíe el congelador de alimentos, gire el selector de temperatura a la posición OFF (APAGADO) y limpie las empaquetaduras de la puerta. Mantenga las puertas abiertas para que el aire pueda circular en el interior. Cuando mueva el congelador, siempre hágalo de forma vertical. No lo coloque en posición horizontal para moverlo. Hacerlo podría dañar el sistema de sellado.

SOLUCIÓN DE PROBLEMAS

PROBLEMA	SOLUCIÓN POSIBLE
El congelador no funciona	A. Asegúrese de que el control termostático no esté en la posición "OFF" (APAGADO). B. Asegúrese de que el congelador esté enchufado. C. Verifique que haya corriente en el tomacorriente de CA; para ello, inspeccione el interruptor de circuito. D. Espere entre 30 y 40 minutos para ver si el congelador arranca. El compresor debe completar su ciclo para funcionar.
La temperatura de los alimentos no parece estar muy fría	A. Evite abrir la puerta de forma frecuente. B. Permita que los alimentos tibios recién incorporados alcancen la temperatura de congelamiento. C. Revise que las empaquetaduras tengan un sellado adecuado. D. Regule el control de temperatura en una configuración más fría.
La temperatura de los alimentos está demasiado fría	A. Regule la temperatura en una configuración más fría y espere varias horas para que la temperatura alcance dicho nivel.
El congelador realiza ciclos muy frecuentemente	A. Esto puede ser normal para mantener la temperatura constante durante los días con altas temperaturas y mucha humedad. B. Revise que las empaquetaduras tengan un sellado adecuado. C. Asegúrese de que las puertas estén completamente cerradas. D. Revise si el compartimiento del congelador está bloqueado con paquetes de alimentos congelados, contenedores, etc.
El congelador tiene olor	A. El interior necesita limpieza. B. Los alimentos están incorrectamente envueltos o los sellos permiten la emanación de olores. Selle/Envuelva los alimentos correctamente.

GARANTÍA

Esta garantía cubre todos los defectos en la mano de obra o en los materiales durante un período de:

12 meses en el caso de la mano de obra

12 meses en el caso de las piezas

5 años en el caso del sistema de sellado

La garantía comienza el día en que el producto fue comprado; para que puedan efectuarse reparaciones conforme a la garantía, es preciso presentar el recibo de compra original en el centro de servicio autorizado.

EXCEPCIONES:

Garantía para fines comerciales o de alquiler

90 días en el caso de la mano de obra (servicio en taller); 90 días en el caso de las piezas. No se aplican otras garantías.

Esta garantía cubre lo siguiente:

1. Las piezas mecánicas y eléctricas que tienen un propósito funcional en el electrodoméstico durante un período de 12 meses. Esto incluye todas las piezas, excepto el acabado y el reborde.
2. Los componentes del sistema de sellado, por ejemplo, el compresor hermético, el condensador y el evaporador, durante un período de 5 años desde la fecha de compra, en el caso de defectos de fabricación. Los daños a dichos componentes resultantes del abuso mecánico o del envío o la manipulación inadecuados no estarán cubiertos.

¿Qué se hará?

1. Repararemos o reemplazaremos, a nuestra discreción, toda pieza mecánica o eléctrica que tenga un defecto en condiciones de uso normal durante el período de garantía especificado.
2. El comprador no deberá afrontar cargos en concepto de piezas o de mano de obra por los elementos cubiertos durante el período inicial de 12 meses. Transcurrido este período, solo las piezas están cubiertas durante el resto de la garantía. La mano de obra no se incluye y estará a cargo del cliente.
3. Póngase en contacto con el centro de servicio autorizado más cercano. Para obtener el nombre del centro de servicio más cercano, llame a nuestro Departamento de Servicio al Cliente al 1-800-643-0067, de lunes a jueves de 8 a.m. a 6 p.m., y los viernes de 8 a.m. a 5 p.m., hora estándar del Este.

ESTA GARANTÍA CUBRE ELECTRODOMÉSTICOS DENTRO DEL TERRITORIO CONTINENTAL DE LOS ESTADOS UNIDOS, PUERTO RICO Y CANADÁ. NO CUBRE LO SIGUIENTE:

Daños resultantes de una instalación incorrecta. Daños causados durante el envío. Defectos que no son de fabricación.

Daños por uso indebido, abuso, accidentes, alteraciones, falta de cuidado y mantenimiento adecuados, o corriente o voltaje incorrectos.

Daños resultantes de un uso distinto al uso doméstico. Daños resultantes de un servicio llevado a cabo por un distribuidor o un centro de servicio no autorizado. Rebordes decorativos o bombillas reemplazables. Transporte y envío. Mano de obra (después del período inicial de 12 meses).

ESTA GARANTÍA LIMITADA REEMPLAZA A TODAS LAS DEMÁS GARANTÍAS EXPRESAS, INCLUIDAS LAS GARANTÍAS DE COMERCIALIZACIÓN E IDONEIDAD PARA UN FIN EN PARTICULAR.

El recurso provisto en esta garantía es exclusivo y reemplaza a todos los demás recursos. Esta garantía no cubre daños accidentales o resultantes, por lo que es posible que las limitaciones anteriores no se apliquen en su caso. Algunos estados no permiten limitaciones sobre la duración de una garantía implícita, por lo que es posible que las limitaciones anteriores no se apliquen en su caso. Esta garantía le otorga derechos legales específicos y usted podría tener otros derechos, que varían según el estado.