

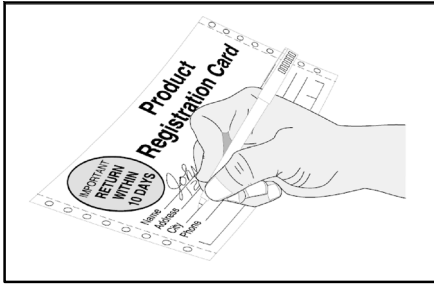


# COMMERCIAL FREEZER/REFRIGERATOR GLASS DOOR REFRIGERATOR

## TABLE OF CONTENTS

Product Registration.....	2
Important Safety Instructions.....	2
Electrical Information.....	3
Installation and Setup.....	3-4
Appliance Start-up.....	5
Features.....	5
Routine Maintenance.....	6
Energy Conservation Measures.....	7
Troubleshooting Guide.....	8-9
Wiring Diagram.....	10
Warranty.....	11

## Product Registration



These instructions include information which is intended to assure the operator of correct installation, operation and service. Before attempting installation, adjustment or maintenance, be certain of the following:

- That you have read and fully understand the instructions.
- That you have all the tools required and are trained to use them.
- That you have met all installation and usage restrictions and are familiar with the functions and operations of the unit.
- That you follow all instructions exactly as given.

All the fittings, measurements, recommendations and procedures are significant. Substitutions and approximations must be avoided. Improper handling, maintenance, installation and adjustment, or service attempted by anyone other than a qualified technician, may void the future warranty claims and cause damage to the unit and/or result in injury to the operator and/or bystanders.

### Record your Model and Serial Numbers

Record the model number and serial number of this appliance in the space provided below (the serial plate is located inside the cabinet compartment).

Model No.	_____
Serial No.	_____
Installation Date	_____
Invoice Date	_____
Start-up Date	_____
Telephone for Service	_____

### Register Your Product

The self-addressed **PRODUCT REGISTRATION CARD** (shown above) should be filled in completely, signed and returned to the address provided.

## Important Safety Instructions

Read all instructions before using this appliance

### **⚠ WARNING** For Your Safety

Do not store or use gasoline or other flammable vapors and liquids in the vicinity of this unit or any other appliance. Read product labels for flammability and other warnings.

### **⚠ WARNING** Child Safety

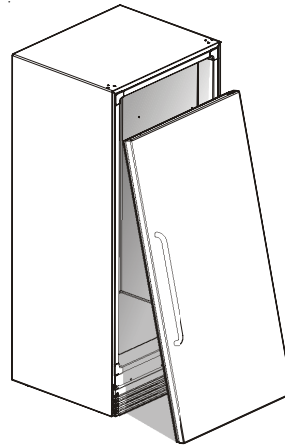
- Destroy carton, plastic bags, and any exterior wrapping material immediately after the appliance is unpacked. Children should never use these items for play. Cartons covered with rugs, bedspreads, plastic sheets or stretch wrap may become airtight chambers and can quickly cause suffocation.
- A child might suffocate if he crawls into the appliance to hide or play. Remove the door/lid of the appliance when not in use, even if you plan to discard the appliance. Many communities have laws requiring you to take this safety precaution.

### Proper Disposal of Appliance

### **⚠ WARNING** Risk of Child Entrapment

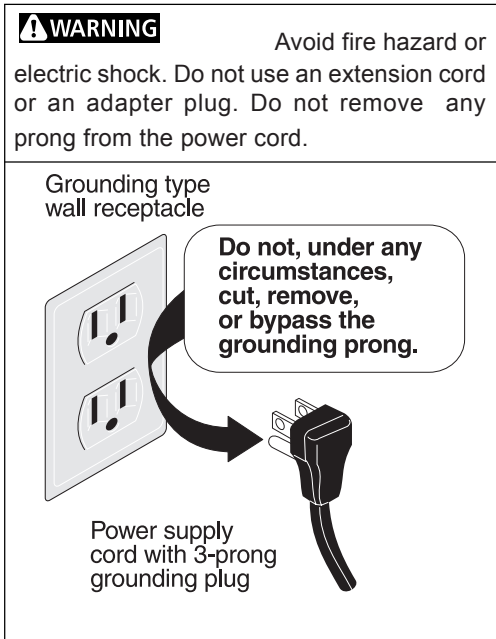
Child entrapment and suffocation are not problems of the past. Junked or abandoned refrigerators or freezers are still dangerous – even if they will sit for “just a few days”. If you are getting rid of your old refrigerator or freezer, please follow the instructions below to help prevent accidents:

- Remove the door.
- Leave shelves in place so children may not easily climb inside.
- Have the refrigerant removed by a qualified technician.



## **⚠️ WARNING** Electrical Information

These guidelines must be followed to ensure that safety mechanisms in the design of this appliance will operate properly.



- **Refer to the serial plate for correct electrical rating.** The power cord of the appliance is equipped with a three-prong grounding plug for protection against shock hazards. It must be plugged directly into its own properly grounded three-prong receptacle, protected with a 15 amp time delay fuse or circuit breaker. The receptacle must be installed in accordance with the local codes and ordinances. Consult a qualified electrician. Receptacles with Ground Fault Circuit Interrupters (GFCI) are **NOT RECOMMENDED**. **DO NOT USE AN EXTENSION CORD OR AN ADAPTER PLUG.**
- If the voltage varies by 10 percent or more, appliance performance may be affected. Operating the appliance with insufficient power can damage the motor. Such damage is not covered under the warranty. If you suspect your voltage is high or low, consult your power company for testing.
- To prevent the appliance from being turned off accidentally, do not plug the unit into an outlet controlled by a wall switch or pull cord.
- **DO NOT** pinch, knot, or bend the power cord in any manner.

## **⚠️ WARNING** Other Precautions

- **NEVER** unplug the appliance by pulling on the power cord. Always grip the plug firmly and pull straight out from the receptacle.
- To avoid electrical shock, unplug the appliance before cleaning.

**NOTE:** Turning the control to “OFF” turns off the compressor but does not disconnect power to other electrical components.

## Installation and Setup

### Inspection for Damage

Inspect the underside of the cabinet and packaging for damage such as a fork truck can cause. If hidden damage is found after uncrating, immediately call the delivery carrier and request an inspection. Retain all packaging and crating materials until the inspection is complete.

### Uncrating and Set-up

- Remove carton and all loose parts from inside of the unit.
- Tip the unit onto its back with the help of one assistant. Lay the unit gently to rest on blocks to avoid damaging the condensate drain hose, and the plastic raceway that covers the evaporator tubing on the back of the cabinet.
- Remove and discard the two (2) wood skids from the bottom and the four (4) screws (see the Fig. 1).
- Remove the bottom door hinge and screw on the lower left hand side of the cabinet used to support the glass door during shipping using a 3/8 socket wrench (see Fig. 2).
- Remove the package containing the casters from the unit. This package will contain the following items:
  - Two (2) caster rail supports (A)
  - Two (2) spacer plates (B)
  - Eight (8) carriage bolts (C)
  - Four (4) bolts (D)
  - Four (4) washers (E)
  - Eight (8) locking nuts (F)
  - Two (2) swivel casters (G)
  - Two (2) fixed casters with brakes (H)

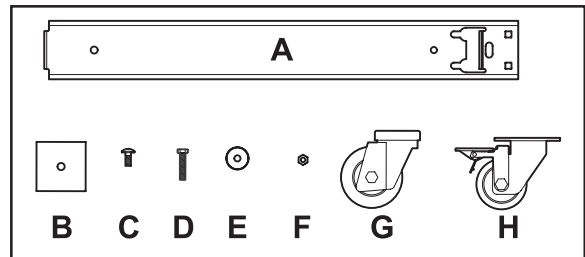


Figure 1

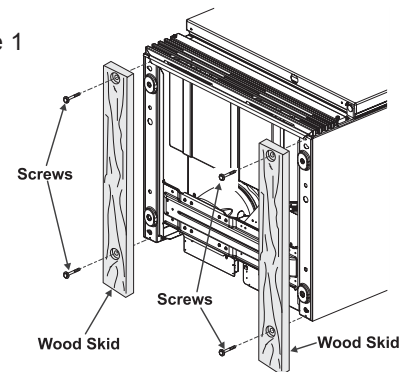
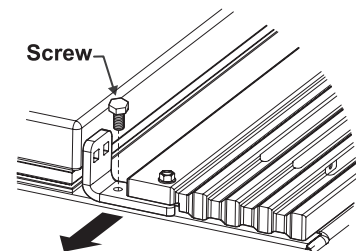


Figure 2



### Front Fixed Caster Installation

- Put two (2) carriage bolts through the rear (non-brake) side of the fixed caster and hold the carriage bolts loosely in place by threading several turns each on the locking nuts. Do not tighten the bolts yet.
- Hold the caster in position, insert the carriage bolt heads into the slots near the front of the caster rail and slide the caster back.
- Insert the two (2) front carriage bolts thru the top side of the caster rail and then thru the front holes on the caster. Attach locking nuts to each.
- Tighten all locking nuts securely using a ½ inch end wrench or socket wrench (see Fig. 3).
- Repeat the same procedure for the other fixed caster.

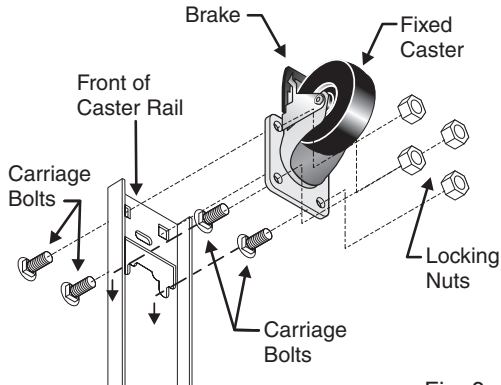


Fig. 3

### Rear Swivel Caster Installation

- Place a washer on a long bolt and then feed the bolt through the hole in the swivel caster.
- Next, insert the caster bolt through the hole on the metal spacer and then thru the rear hole of the caster rail (see Fig. 4).

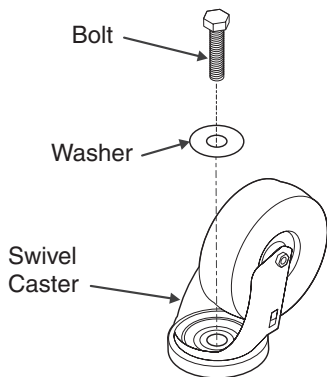


Fig. 4

### Caster Rail Installation

- Holding the swivel caster in place, align the caster rail assembly with the right hand bottom side of the unit.
- Thread the caster bolt into the hole in the bottom-most foot pad on the base rail.
- Tighten the bolt securely using a ½ inch end wrench or socket wrench (see Fig. 5).
- Repeat the same procedure on the left hand side with the other swivel caster and caster rail assembly. Fig. 6

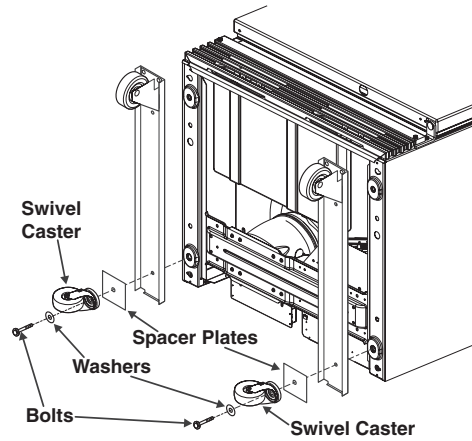


Fig. 5

- Place a washer onto a long bolt and slide bolt through the hole located just behind the fixed caster at the front of the caster rail.
- Align bolt with the hole in the front foot of the right hand base rail. Thread bolt into the hole and tighten securely using a ½ inch end wrench or socket wrench (see Fig. 6).
- Repeat the same procedure for the left hand caster rail assembly. After installation, tip the unit up with the help of an assistant.

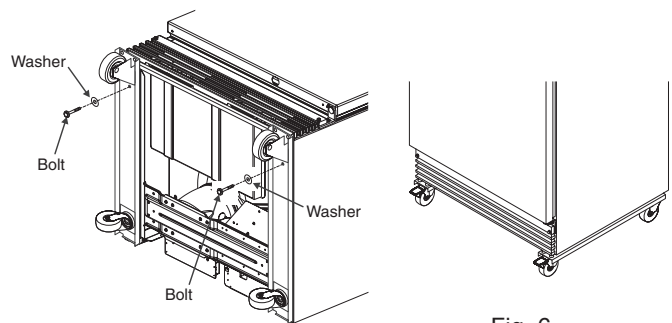


Fig. 6

### Appliance Placement

Leave a one (1) inch space on all sides and the back of the cabinet for ease of installation, proper air circulation and electrical connections. **DO NOT block the front grill on the lower front of your appliance.** Sufficient air circulation is essential for the proper operation of your appliance. Choose a place that is near a grounded electrical outlet. For the most efficient operation, the appliance should be located where surrounding temperatures will not drop below 40°F (5°C) or exceed 110°F (43°C). Additional compressor heaters are not recommended.

## Insulation

The insulated space on this cabinet is sealed to maintain peak efficiency. DO NOT drill holes in the cabinet. Holes drilled in the cabinet may destroy that seal and damage electrical wiring located in the insulated space. It may also pierce and damage the sealed refrigeration system in the insulated space.

**DAMAGED ELECTRICAL WIRING OR WET INSULATION CAUSED BY DRILLING WILL VOID THE WARRANTY.**

## Appliance Start-up

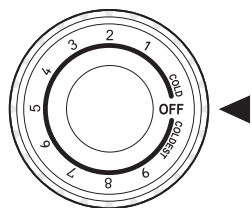
Once the appliance has been located in its permanent location and the proper power and grounding has been provided, the following items must be checked or completed:

### Cool Down Period

For safe food storage, allow 24 hours for the appliance to cool down completely before loading with food. The appliance will run continuously for the first several hours. Do not place any food in the appliance until after the first 24 hours of operation.

### Thermostat Setting

The appliance is shipped from the factory with the thermostat set at about the mid-point of the operating range. Adjustments colder or warmer can be made after the appliance has been running for at least 8 hours. Allow at least 8 hours for temperature stabilization before re-adjusting the thermostat.



### Defrost Setting

The appliance is designed to defrost automatically every 12 hours. To set the time of defrost, wait until the desired time to defrost. With the notch on the timer knob aligned with the line on the bracket (Fig. A), turn the defrost timer knob clockwise slowly. The timer will click several times, then once loudly, at which point the defrost cycle begins. The timer knob will advance through the defrost cycle, then click loudly at the end of the cycle (Fig. B). The appliance will defrost automatically every 12 hours after the first defrost cycle.

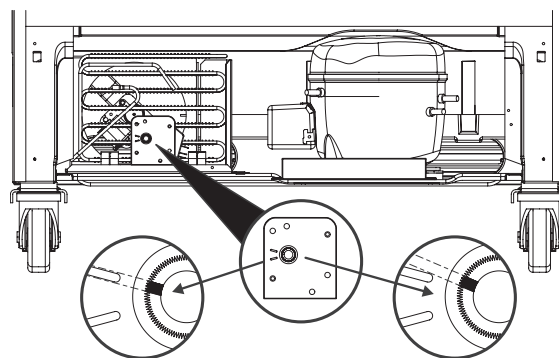


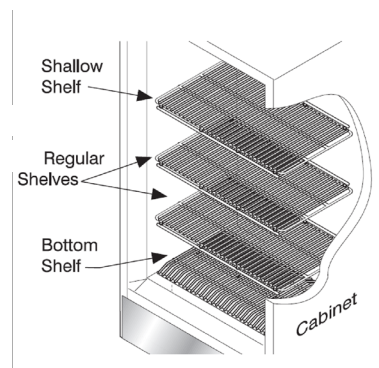
Fig. A  
Position of knob before turning clockwise to start defrost cycle (First click)

Fig. B  
Position of knob at end of defrost cycle (Second click)

## Features

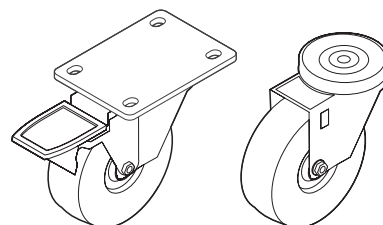
### NSF and FDA Approved Adjustable Shelving

This appliance is provided with **NSF** and **FDA** approved heavy duty epoxy powder coated adjustable shelves. The one with the wires that are angled on the front and back goes on the floor of the cabinet. The others are placed in the adjustable stainless steel shelf supports that clip into the shelf support strips on each side of the interior. Make sure to place the shallow shelf in the upper-most position.



### Front Fixed and Rear Swivel Casters

This appliance comes with two (2) front fixed casters with brakes and two (2) rear swivel casters. The casters allow the appliance to be moved with ease and then locked in position at its desired location.

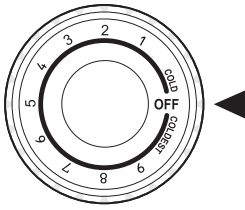


Fixed Caster

Swivel Caster

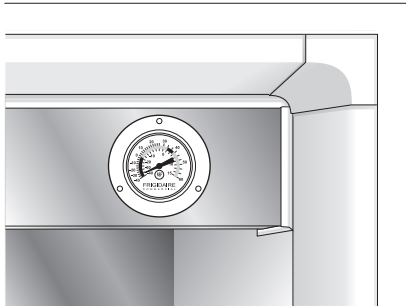
## Adjustable Temperature Control

The adjustable cold control is located on the top left side of the evaporator housing inside the unit. “5” is the medium (recommended) setting and “9” is the coldest setting.



## NSF Certified Temperature Gauge

This appliance is equipped with an **NSF** certified temperature gauge to display cabinet internal temperature. The temperature gauge is located on the top right side of the evaporator housing inside the unit.



## Fluorescent Lamp (Glass Door Models)

The Glass Door Refrigerator is equipped with a 17 watt fluorescent lamp. A ballast – lamp mismatch may result in poor or no lighting.

If the lamp fails, replace with a lamp of the same type and wattage. Also, replace a lamp that flickers continuously. This could damage the ballast.

Turning the light off, when not in use, will save energy. However, frequent ON-OFF cycling will reduce the lamp life.

Use only NSF certified lamp which can be ordered from your Frigidaire Commercial Service Center by calling 1-866-738-1640.

## Interior Light (Stainless Steel Door Models)

The Stainless Steel Door models are equipped with a 40 watt bulb that lights up when the door is opened. If the bulb goes bad, replace with bulb of the same type and wattage. This is a special bulb with a shatterproof coating. Use only an NSF certified bulb of the same type and wattage which can be ordered from your Frigidaire Commercial Service Center by calling 1-866-738-1640.

## Other Features

- NSF Certified top mounted evaporator.
- 2 ½ thick urethane foam cabinet insulation.
- Torsion spring door closer (Glass Door models).
- Stainless steel evaporator housing.
- Removable stainless steel drain cover.
- Heavy duty front grill.
- Heavy duty commercially rated electrical harness.
- Heavy duty removable stainless steel shelf supports.

## Routine Maintenance

### Cleaning the Interior

Be sure to turn the temperature control to “OFF” and unplug the electrical cord. Wash the inside surface of the storage area with warm water and baking soda solution (about one tablespoon of baking soda per quart of warm water). Rinse thoroughly with clean, warm water and wipe dry.

### Cleaning the Exterior

Wipe the cabinet exterior occasionally with a cloth dampened in mild detergent and water. Rinse and wipe dry with a soft cloth. Do not use razor blades or other sharp instruments that can scratch the appliance surface when removing adhesive labels. Any glue left from the tape can be removed with a mixture of warm water and mild detergent or touch the residue with the sticky side of tape already removed. **DO NOT REMOVE THE SERIAL PLATE.**

### Condensate Pan

Some models have a condensate pan in a fixed position located behind the toe grill. This must not be removed from under the cabinet. If the pan is removed, condensate will drop onto the floor.

### POWER FAILURE

**DO NOT** open the appliance lid unnecessarily if the appliance is off for several hours.

If a power failure occurs, pack seven or eight pounds of dry ice into the appliance every 24 hours. Look in the Yellow Pages under “Dry Ice”, “Dairies”, or “Ice Cream Manufacturers” for local dry ice suppliers. Always wear gloves and use caution when handling dry ice.

## Energy Conservation Measures

This appliance is designed for efficiency with heavy foam insulation. However, there are things that the user can do to maintain the appliance in operating condition.

- Do not operate the appliance any colder than necessary to maintain safe, product storage temperatures.
- Make sure the appliance is located to prevent direct exposure to sunlight, air ducts, etc.
- Keep the door closed except for normal use. Inspect the door often to see that it self-closes and the gaskets are in good condition.
- Do not overstock the product in the cabinet because it will block the normal air flow.
- Have at least annual inspections by a qualified service company to see that the refrigerant charge is correct.
- This appliance operates more efficiently in a cooler ambient than in a hot ambient. Try to maintain an ambient below 80°F (27°C) and 65% RH (Relative Humidity) for maximum efficiency.

### Periods of Non-use and Moving Tips

Leave the appliance operating during periods of non-use of less than three (3) weeks.

#### Long Periods of Non-use

If the appliance will not be used for several months:

- Remove all food and unplug the power cord.
- Clean and dry the interior thoroughly.
- Leave the appliance door open slightly, blocking it open if necessary, to prevent odor and mold growth.

#### Moving

When moving the appliance, follow these guidelines to prevent damage:

- Disconnect the power cord plug from the wall outlet.
- Remove foods, then defrost, and clean the appliance.
- Secure all loose items such as base panel, baskets, and shelves by taping them securely in place to prevent damage.
- In the moving vehicle, secure appliance in an upright position to prevent movement. Also, protect outside of appliance with a blanket or similar item.

<b>TROUBLESHOOTING GUIDE</b>	Before calling for service, review this list. It may save you time and expense. This list includes common occurrences that are not the result of defective workmanship or materials in this appliance.	
<b>PROBLEM</b>	<b>CAUSE</b>	<b>CORRECTION</b>
<b>APPLIANCE OPERATION</b>		
Appliance does not run.	* Appliance is plugged into a circuit that has a ground fault	* Use another circuit. If you are unsure about the outlet, have it checked by a certified technician.
	* Temperature control is in the "OFF" position.	* See Thermostat Setting.
	* Appliance may not be plugged in, or plug may be loose.	* Ensure plug is tightly pushed into outlet.
	* House fuse blown or tripped circuit breaker.	* Check/replace fuse with a 15 amp time delay fuse. Reset circuit breaker.
	* Power outage	* Check house lights. Call local Electric Company.
Appliance runs too much or too long.	* Room or outside weather is hot.	* It's normal for the appliance to work harder under these conditions.
	* Appliance has recently been disconnected for a period of time.	* It takes 24 hours for the appliance to cool down completely.
	* Large amount of warm or hot food have been stored recently.	* Warm food will cause appliance to run more until the desired temperature is reached.
	* Door is opened too frequently or kept open too long.	* Warm air entering the appliance causes it to run more. Open the door less often.
	* Appliance door may be slightly	* See "Door Problems".
	* Temperature control is set too low.	* Turn control knob to a warmer setting. Allow several hours for the temperature to stabilize.
	* Appliance gaskets are dirty, worn, cracked or poorly fitted.	* Clean or change gasket. Leaks in the lid seal will cause appliance to run longer in order to maintain desired temperature.
Interior appliance temperature is too cold.	* Temperature control is set too low.	* Turn control knob to a warmer setting. Allow several hours for the temperature to stabilize.
Interior appliance temperature is too warm.	* Temperature control is set too warm.	* Turn control knob to a colder setting. Allow several hours for the temperature to stabilize.
	* Door is opened too frequently or kept open too long.	* Warm air entering the appliance causes it to run more. Open the door less often.
	* Appliance door may be slightly	* See "Door Problems".
	* Large amount of warm or hot food have been stored recently.	* Wait until the appliance has had a chance to reach its selected temperature.
	* Appliance has recently been disconnected for a period of time.	* appliance requires 24 hours to cool down completely.
Appliance external surface temperature is warm.	* The external appliance walls can be as much as 30°F warmer than room temperature.	* This is normal while the compressor works to transfer heat from inside the appliance cabinet.
<b>SOUND AND NOISE</b>		
Louder sound levels whenever appliance is on.	* Modern appliances have increased storage capacity and more stable temperatures. They require heavy duty compressors.	* This is normal. When the surrounding noise level is low, you might hear the compressor running while it cools the interior.
Louder sound levels when compressor comes on.	* Appliance operates at higher pressures during the start of the ON cycle.	* This is normal. Sound will level off or disappear as appliance continues to run.
Popping or cracking sound when compressor comes on.	* Metal parts undergo expansion and contraction, as in hot water pipes.	* This is normal. Sound will level off or disappear as appliance continues to run.

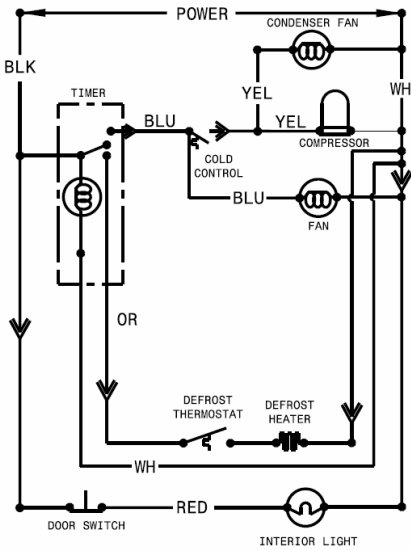


<b>PROBLEM</b>	<b>CAUSE</b>	<b>CORRECTION</b>
<b>SOUND AND NOISE (Cont.)</b>		
Bubbling or gurgling sound	* Refrigerant (used to cool appliance) is circulating	* This is normal.
Vibrating or rattling noise.	* Appliance is not level. It rocks on the floor when it is moved	* Level the appliance by putting wood or metal shims under part of the appliance.
	* Floor is uneven or weak.	* Ensure floor can adequately support appliance. Level the appliance by putting wood or metal shims under part of the appliance.
	* appliance is touching the wall.	* Re-level appliance or move appliance slightly.
<b>WATER / MOISTURE / FROST INSIDE APPLIANCE</b>		
Moisture forms on inside appliance walls.	* Weather is hot and humid, which increases internal rate of frost build-up.	* This is normal.
	* Door is slightly open.	* See "Door Problems".
	* Door is kept open too long or is opened too frequently.	* Open the door less often.
<b>ODOR IN APPLIANCE</b>		
Odors in appliance.	* Interior needs to be cleaned.	* Clean interior with sponge, warm water, and baking soda.
	* Foods with strong odors are in the appliance.	* Cover the food tightly.
<b>DOOR PROBLEMS</b>		
Door will not close.	* Appliance is not level. It rocks on the floor when it is moved slightly.	* Level the appliance by putting wood or metal shims under part of the appliance.
	* Floor is uneven or weak.	* Ensure floor can adequately support appliance. Level the appliance by putting wood or metal shims under part of the appliance.
<b>LIGHTING PROBLEMS</b>		
Light bulb is not on.	* The fluorescent lamp or light bulb is burned out.	* See "Fluorescent Lamp" or "Interior Light" on Features Section.
	* No electric current is reaching the appliance.	* See "appliance Does Not Run".

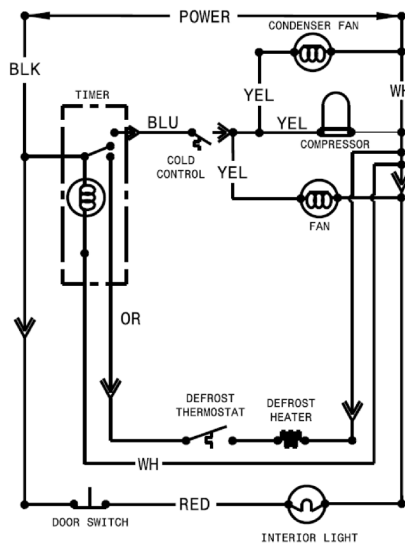
# IMPORTANT SAFETY NOTICE

The information provided herein is designed to assist qualified repair personnel only. Untrained persons should not attempt to make repairs due to the possibility of electrical shock. Disconnect the power cord before servicing.

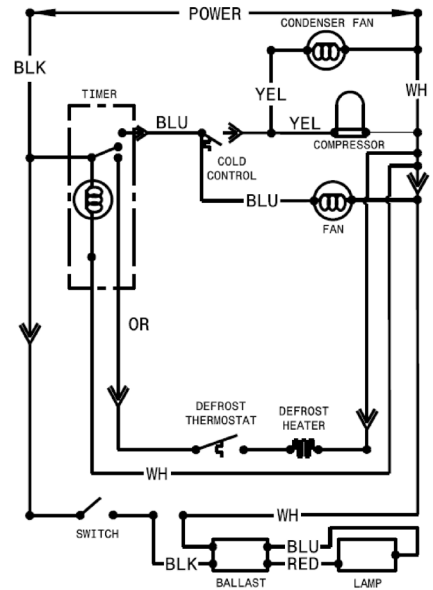
## ELECTRICAL CIRCUIT



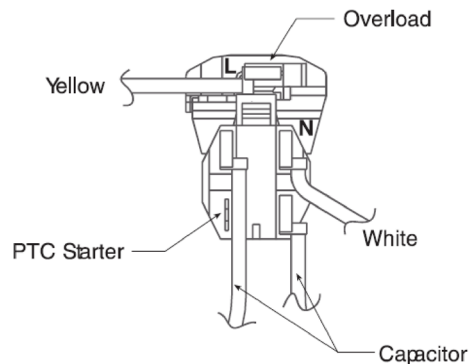
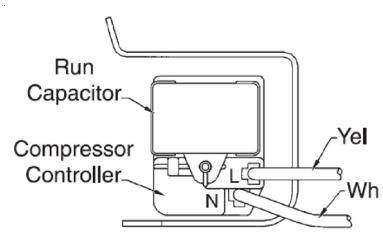
**STAINLESS STEEL DOOR REFRIGERATOR**



**STAINLESS STEEL DOOR FREEZER**



**GLASS DOOR REFRIGERATOR**



## IMPORTANT

**IF ANY GREEN GROUNDING WIRES ARE REMOVED DURING SERVICING, THEY MUST BE RETURNED TO THEIR ORIGINAL POSITION AND PROPERLY SECURED.**

# Commercial Appliance Warranty Information

Your appliance is covered by a one year limited warranty. For one year from your original date of purchase, Electrolux will pay all costs for repairing or replacing any parts of this appliance that prove to be defective in materials or workmanship when such appliance is installed, used and maintained in accordance with the provided instructions.

**Exclusions      This warranty does not cover the following:**

1. All labor costs on commercial laundry products.
2. Payment acceptance devices for commercial laundry products.
3. Products with original serial numbers that have been removed, altered or cannot be readily determined.
4. Normal wear and tear and gradual deterioration.
5. Product that has been transferred from its original owner to another party or removed outside the USA or Canada.
6. Rust on the interior or exterior of the unit.
7. Products purchased "as-is".
8. Food loss due to any refrigerator or freezer failures.
9. Damage caused at any time during shipment.
10. Service calls which do not involve malfunction or defects in materials or workmanship, or for appliances used other than in accordance with the provided instructions.
11. Service calls to correct the installation of your appliance or to instruct you how to use your appliance.
12. Expenses for making the appliance accessible for servicing, such as removal of trim, cupboards, shelves, etc., which are not a part of the appliance when it is shipped from the factory.
13. Service calls to replace appliance light bulbs, air filters, water filters, other consumables, or knobs, handles, or other cosmetic parts.
14. Surcharges including, but not limited to, any after hour, weekend, or holiday service calls, tolls, ferry trip charges, or mileage expense for service calls to remote areas, including the state of Alaska.
15. Damages to the finish of appliance and/or location that are incurred during installation, including but not limited to floors, cabinets, walls, etc.
16. Damages caused by: services performed by unauthorized service companies; use of parts other than genuine Electrolux parts or parts obtained from persons other than authorized service companies; or external causes such as abuse, misuse, inadequate power supply, accidents, fires, or acts of God.
17. Labor costs after ninety (90) days from your original date of purchase incurred for product repair or replacement as provided herein for appliances operated by a concessionaire or vendor in a trailer or other motorized vehicle or at varying locations.

**DISCLAIMER OF IMPLIED WARRANTIES; LIMITATION OF REMEDIES**

CUSTOMER'S SOLE AND EXCLUSIVE REMEDY UNDER THIS LIMITED WARRANTY SHALL BE PRODUCT REPAIR OR REPLACEMENT AS PROVIDED HEREIN. CLAIMS BASED ON IMPLIED WARRANTIES, INCLUDING WARRANTIES OF MERCHANTABILITY OR FITNESS FOR A PARTICULAR PURPOSE, ARE LIMITED TO ONE YEAR OR THE SHORTEST PERIOD ALLOWED BY LAW, BUT NOT LESS THAN ONE YEAR. ELECTROLUX SHALL NOT BE LIABLE FOR CONSEQUENTIAL OR INCIDENTAL DAMAGES SUCH AS PROPERTY DAMAGE AND INCIDENTAL EXPENSES RESULTING FROM ANY BREACH OF THIS WRITTEN LIMITED WARRANTY OR ANY IMPLIED WARRANTY. SOME STATES AND PROVINCES DO NOT ALLOW THE EXCLUSION OR LIMITATION OF INCIDENTAL OR CONSEQUENTIAL DAMAGES, OR LIMITATIONS ON THE DURATION OF IMPLIED WARRANTIES, SO THESE LIMITATIONS OR EXCLUSIONS MAY NOT APPLY TO YOU. THIS WRITTEN WARRANTY GIVES YOU SPECIFIC LEGAL RIGHTS. YOU MAY ALSO HAVE OTHER RIGHTS THAT VARY FROM STATE TO STATE.

**If You Need Service**

Keep your receipt, delivery slip, or some other appropriate payment record to establish the warranty period should service be required. If service is performed, it is in your best interest to obtain and keep all receipts. Service under this warranty must be obtained by contacting Electrolux at the addresses or phone numbers below.

This warranty only applies in the USA and Canada. In the USA, your appliance is warranted by Electrolux Major Appliances North America, a division of Electrolux Home Products, Inc. In Canada, your appliance is warranted by Electrolux Canada Corp. Electrolux authorizes no person to change or add to any obligations under this warranty. Obligations for service and parts under this warranty must be performed by Electrolux or an authorized service company. Product features or specifications as described or illustrated are subject to change without notice.

**USA**  
**1.866.738.1640**  
Electrolux Major Appliances  
North America  
P.O. Box 212378  
Augusta, GA 30907



**Canada**  
**1.866.738.1640**  
Electrolux Canada Corp.  
5855 Terry Fox Way  
Mississauga, Ontario, Canada  
L5V 3E4

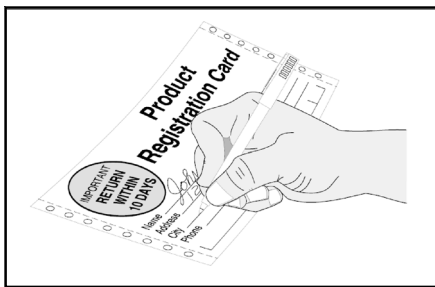


# CONGELADOR/REFRIGERADOR COMERCIAL REFRIGERADOR CON PUERTA DE VIDRIO

## TABLA DE CONTENIDO

Registro del producto .....	2
Instrucciones importantes de seguridad .....	2
Información eléctrica .....	3
Instalación y ajuste inicial .....	3-4
Encendido del electrodoméstico .....	5
Características .....	5
Mantenimiento de rutina .....	6
Medidas de conservación de energía .....	7
Guía de localización y solución de averías .....	8-9
Diagrama de cableado .....	10
Garantía .....	11

## Registro del producto



Estas instrucciones incluyen información proporcionada con el fin de asegurarle al usuario una instalación, funcionamiento y servicio correctos. Antes de intentar realizar la instalación, ajuste o mantenimiento, asegúrese de:

- Haber leído y comprendido completamente las instrucciones.
- Tener todas las herramientas requeridas y el entrenamiento necesario para utilizarlas.
- Haber cumplido con todas las restricciones de instalación y uso y esté familiarizado con las funciones y el funcionamiento de la unidad.
- Seguir todas las instrucciones exactamente como se indica.

Todos los ajustes, medidas, recomendaciones y procedimientos son importantes. Evite realizar sustituciones o aproximaciones. La manipulación, instalación, ajuste o servicio inadecuados realizados por cualquier persona que no sea un técnico calificado puede anular los posibles reclamos de garantía futuros y causar daños a la unidad y/o causar lesiones al operador y/o a otras personas.

### Registre su modelo y números de serie

Registre los números de modelo y de serie de este electrodoméstico en el espacio que se proporciona a continuación (la placa de serie está ubicada en el interior del congelador).

N.º de modelo \_\_\_\_\_  
N.º de serie \_\_\_\_\_  
Fecha de instalación \_\_\_\_\_  
Fecha de compra \_\_\_\_\_  
Fecha de inicio \_\_\_\_\_  
Número de teléfono  
para obtener servicio \_\_\_\_\_

### Registre su producto

La **TARJETA DE REGISTRO DEL PRODUCTO** dirigida a sí mismo, debe ser llenada en su totalidad, firmada y enviada a la dirección proporcionada.

## Instrucciones importantes sobre seguridad

Lea todas las instrucciones antes de usar este electrodoméstico.

### **⚠ ADVERTENCIA** Para su seguridad

No almacene ni utilice gasolina ni otros líquidos o vapores inflamables cerca de éste o cualquier otro electrodoméstico. Lea las etiquetas de los productos sobre la inflamabilidad y otros peligros.

### **⚠ ADVERTENCIA** Seguridad de los niños

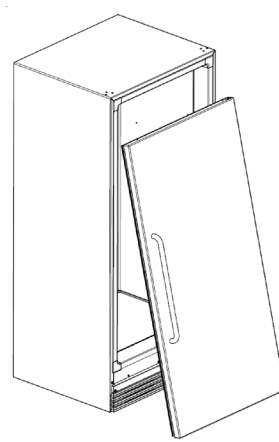
- Destruya inmediatamente la caja de cartón, las bolsas de plástico y cualquier otro material de empaque exterior después de que el electrodoméstico sea desempacado. Los niños nunca deben jugar con estos artículos. Las cajas de cartón cubiertas con alfombras, colchas, hojas de plástico o envolturas elastizadas y cualquier otro material de empaque pueden convertirse en cámaras herméticas y causar asfixia rápidamente.
- Un niño podría asfixiarse si entra en el electrodoméstico para esconderse o para jugar. Retire la puerta/tapa del electrodoméstico cuando no esté en uso, incluso si piensa deshacerse del electrodoméstico. Muchas comunidades cuentan con leyes que lo obligan a tomar esta precaución de seguridad.

### Eliminación adecuada del congelador

#### **⚠ ADVERTENCIA** Riesgo de atrapamiento de niños.

El atrapamiento y asfixia de niños no son problemas del pasado. Los refrigeradores o congeladores desechados o abandonados todavía son peligrosos — incluso si se dejan abandonados “sólo por algunos días”. Si se va a deshacer de su refrigerador o congelador usado, siga las instrucciones a continuación para ayudar a prevenir accidentes:

- Retire la puerta.
- Deje las bandejas en su lugar de modo que los niños no puedan entrar con facilidad.
- Solicite a un técnico calificado que retire el refrigerante.



## **⚠️ ADVERTENCIA** Información Eléctrica

Se deben seguir estas instrucciones para asegurarse de que los mecanismos de seguridad diseñados para este electrodoméstico funcionen correctamente.



- **Consulte la placa de serie para obtener la información eléctrica correcta.** El cordón eléctrico está equipado con un enchufe de tres clavijas con puesta a tierra para su protección contra riesgos de choque eléctrico. El mismo debe ser enchufado directamente a un tomacorriente dedicado de tres alvéolos con puesta a tierra protegido por un fusible de acción retardada o disyuntor de 15 amp. El tomacorriente debe ser instalado de acuerdo con los códigos y reglamentos locales. Consulte a un electricista calificado. **NO SE RECOMIENDA** el uso de tomacorrientes con interruptores de falla de conexión a tierra (GFCI). **NO USE UN CORDÓN DE EXTENSIÓN NI UN ADAPTADOR.**
- Si el voltaje varía en un 10 por ciento o más, el electrodoméstico puede verse afectado. Si el electrodoméstico funciona con energía insuficiente se puede dañar el motor. Este daño no está cubierto por la garantía. Si sospecha que el voltaje del suministro es demasiado alto o bajo, consulte a su compañía eléctrica para que realicen pruebas.
- No enchufe el electrodoméstico a un tomacorriente controlado por un interruptor de pared o por un interruptor de cordón para evitar que el refrigerador sea apagado accidentalmente.
- **NO** presione, anude o doble el cordón eléctrico de ninguna manera.

## **⚠️ ADVERTENCIA** Precauciones adicionales

- **NUNCA** desenchufe el electrodoméstico tirando del cordón eléctrico. Siempre sostenga firmemente el enchufe y tire derecho hacia afuera.
- Para evitar choques eléctricos, desenchufe el electrodoméstico antes de limpiarlo.

**NOTA:** Si gira el control a la posición "OFF" (apagado), se apagará el compresor, pero no desconectará la corriente a otros componentes eléctricos.

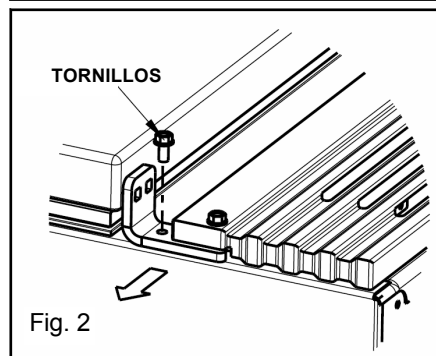
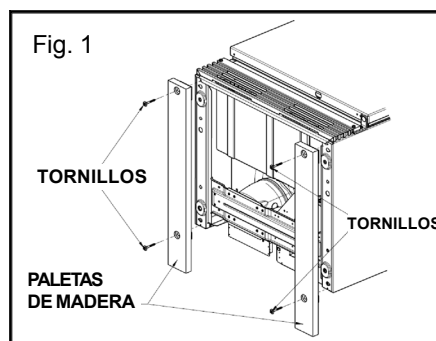
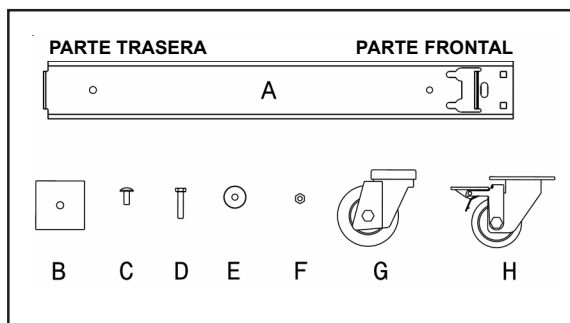
## Instalación y ajuste inicial

### Inspección en busca de daños

Inspeccione por debajo del gabinete y el empaque en busca de daños como los que puede causar un montacargas. Si encuentra daños ocultos después de desempacar el producto, llame inmediatamente a la empresa de transporte y solicite una inspección. Conserve todos los materiales de empaque y las cajas de transporte hasta que la inspección haya terminado.

### Desempaque e instalación

- Retire la caja de cartón y todas las piezas sueltas del interior de la unidad.
- Acueste la unidad sobre su parte trasera con la ayuda de otra persona.
- Retire y deseche las dos (2) paletas de madera de la base y los cuatro (4) tornillos (vea la Fig. 1).
- Retire la bisagra inferior de la puerta y el tornillo usando una llave de cubo (vea la Fig. 2).
- Retire el paquete que contiene las ruedas de la unidad. Este paquete contiene las siguientes piezas:
  - Dos (2) soportes de rieles de ruedas (A)
  - Dos (2) placas separadoras (B)
  - Ocho (8) pernos de carruaje (C)
  - Cuatro (4) pernos (D)
  - Cuatro (4) arandelas (E)
  - Ocho (8) tuercas de bloqueo (F)
  - Dos (2) ruedas libres (G)
  - Dos (2) ruedas fijas con soportes (H)



### Instalación de las ruedas libres delanteras

- Coloque dos (2) pernos de carruaje a través del lado trasero (sin freno) de la rueda fija y sostenga los pernos de carruaje holgadamente en su lugar enroscándolos varias vueltas en las tuercas de bloqueo. No apriete los pernos todavía.
- Sostenga la rueda en su lugar, inserte las cabezas de los pernos de carruaje en las ranuras cercanas a la parte delantera del riel de las ruedas y deslice la rueda hacia atrás.
- Inserte los dos (2) pernos de carruaje delanteros a través del lado superior del riel de las ruedas y luego a través de los agujeros delanteros de la rueda. Fije las tuercas de bloqueo a cada perno.
- Apriete bien todas las tuercas de bloqueo usando una llave abierta o de cubo de 1/2" (vea la Fig. 3).
- Repita el mismo procedimiento para la otra rueda fija.

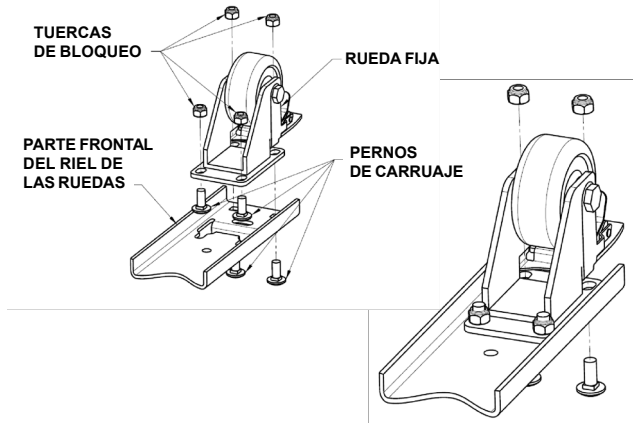


Fig. 3

### Instalación de las ruedas libres traseras

- Coloque una arandela en un perno largo y luego inserte el perno en el agujero de la rueda libre.
- Luego inserte el perno de la rueda a través del agujero del espaciador de metal y luego a través del agujero trasero del riel de las ruedas (vea la Fig. 4).

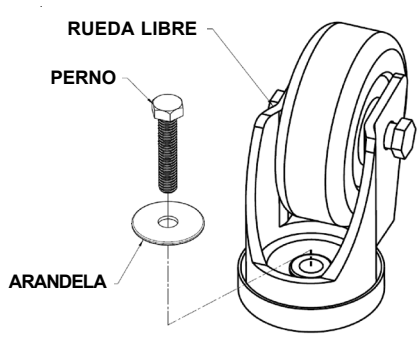


Fig. 4

### Instalación del riel para las ruedas

- Sostenga la rueda libre en su lugar, alinee el conjunto del riel de las ruedas con el lado inferior derecho de la unidad.
- Enrosque el perno de la rueda en el agujero en la pata inferior del riel de la base.
- Apriete bien el perno usando una llave abierta o de cubo de 1/2" (vea la Fig. 5).
- Repita el mismo procedimiento en el lado izquierdo con la otra rueda libre y el conjunto de riel de las ruedas. (Vea la Fig. 6).

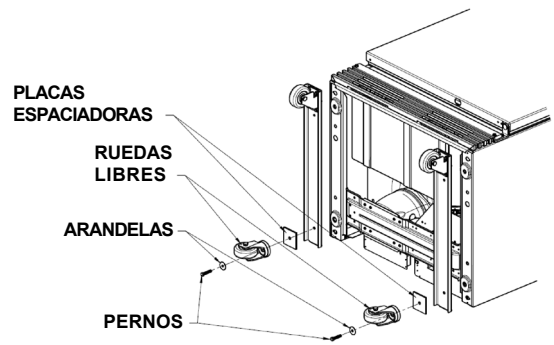


Fig. 5

- Coloque la arandela en un perno largo y deslice el perno a través del agujero ubicado justo detrás de la rueda fija en la parte delantera del riel de las ruedas.
- Alinee el perno con el agujero en la pata delantera del riel de base derecho. Enrosque el perno usando en el agujero usando una llave abierta o de cubo de 1/2" (vea la Fig. 6).
- Repita el mismo procedimiento para el conjunto de riel de ruedas izquierdo. Después de la instalación, coloque la unidad en posición vertical con la ayuda de un asistente.

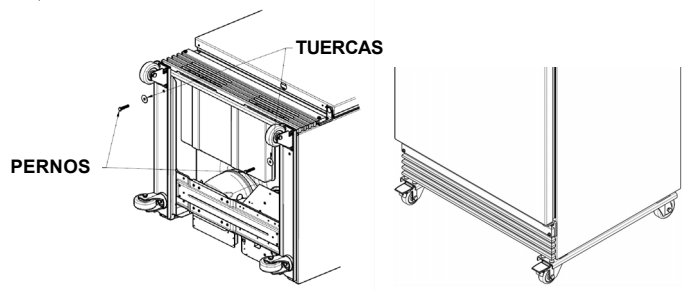


Fig. 6

### Colocación del electrodoméstico

Deje un espacio de una (1) pulgada (2,54 cm) en todos los lados y en la parte trasera del gabinete para facilitar la instalación, la conexión del suministro eléctrico y la circulación adecuada del aire. **NO bloquee la rejilla delantera en la parte inferior de la base del refrigerador/congelador.** Se necesita una circulación adecuada del aire para asegurar un funcionamiento adecuado del refrigerador/congelador. Elija un lugar que esté cerca de un tomacorriente con conexión a tierra. Para un funcionamiento más eficiente, el electrodoméstico debe ser ubicado donde las temperaturas ambiente no excedan los 110°F (43°C). El electrodoméstico no debe ser utilizado a temperaturas menores de 32°F (0°C). No se recomienda el uso de calentadores adicionales para compresores.

## Aislamiento

El espacio de aislamiento en el gabinete está sellado para mantener la mejor eficiencia. Los agujeros taladrados en el gabinete puede destruir ese sello y dañar el cableado eléctrico ubicado en el espacio de aislamiento.

**LOS DAÑOS CAUSADOS AL CABLEADO O AL AISLAMIENTO POR TALADRADO ANULARÁN LA GARANTÍA.**

## Encendido del electrodoméstico

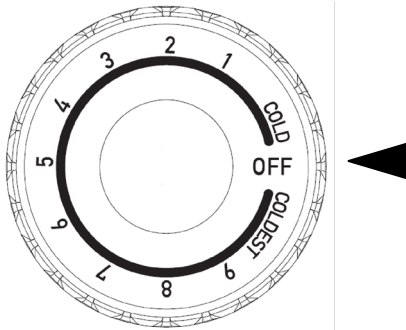
Una vez que el electrodoméstico haya sido colocado en su ubicación permanente y se haya proporcionado el suministro y puesta a tierra adecuados, verifique o complete lo siguiente:

### Período de enfriamiento

Para un almacenamiento seguro de los alimentos, espere 24 horas hasta que el electrodoméstico se enfríe completamente antes de colcar alimentos en su interior. El electrodoméstico funcionará continuamente durante las primeras horas. No coloque alimentos en el electrodoméstico sino hasta después de las primeras 24 horas de funcionamiento.

### Ajuste del termostato

El electrodoméstico es enviado de la fábrica con un termostato ajustado aproximadamente en el punto medio del rango de funcionamiento. Puede reducir o aumentar la temperatura después de que el electrodoméstico haya funcionado durante al menos 8 horas. Espere por lo menos 8 horas hasta que la temperatura se estabilice antes de ajustar el termostato.



### Ajuste de descongelación

Este electrodoméstico está diseñado para descongelarse cada 12 horas. Para programar la activación de la descongelación, espere hasta el momento en que desee descongelar el electrodoméstico. Con la muesca de la perilla del temporizador alineada con la línea del soporte (Fig. A), gire la perilla del temporizador de descongelación lentamente hacia la derecha. El temporizador emitirá varios chasquidos y luego emitirá un chasquido fuerte. Este último chasquido marca el punto en el que el ciclo de descongelación comienza. La perilla del temporizador avanzará a lo largo del ciclo de descongelación y luego emitirá un chasquido fuerte al final del ciclo (Fig. B). El electrodoméstico se descongelará automáticamente cada 12 horas después del primer ciclo de descongelación.

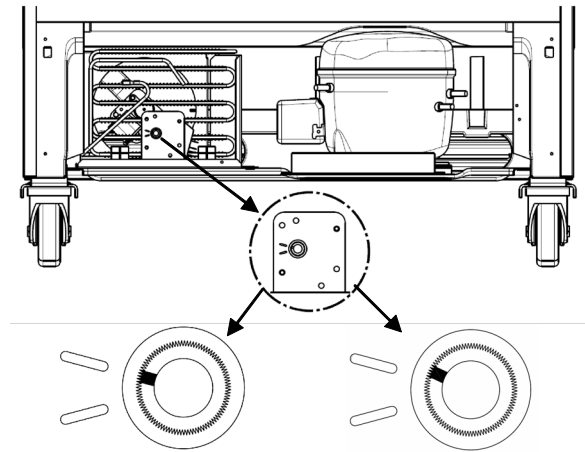


Fig. A

Posición de la perilla antes de girarla a la derecha para iniciar el ciclo de descongelación (primer tope)

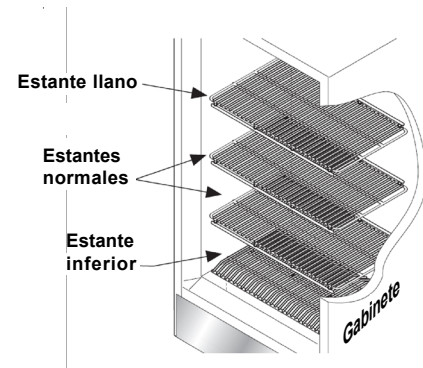
Fig. B

Posición de la perilla al final del ciclo de descongelación (segundo tope)

## Características

### Estantes ajustables aprobados por la NSF y la FDA

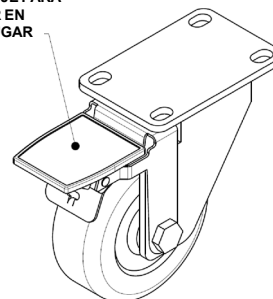
Este electrodoméstico incluye estantes ajustables de alta resistencia recubiertos de epoxi rociado aprobados por la NSF y la FDA. El estante con los alambres en ángulo en la parte delantera y trasera se debe colocar en el piso del gabinete. Los otros estantes se colocan en los soportes ajustables de acero inoxidable que se enganchan en las cintas de soporte de estantes a cada lado del interior del compartimiento. Asegúrese de colocar el estante llano en la posición superior.



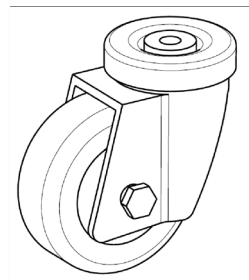
### Ruedas delanteras fijas y traseras libres

Este electrodoméstico cuenta con dos (2) ruedas delanteras fijas con soportes y dos (2) ruedas libres instaladas en la parte trasera. Las ruedas permiten mover el electrodoméstico con facilidad y luego ser fijadas en su lugar en la ubicación final.

EMPUJE PARA FIJAR EN SU LUGAR



RUEDA FIJA

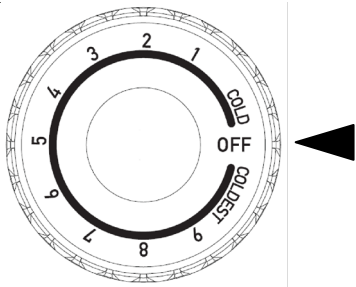


RUEDA LIBRE



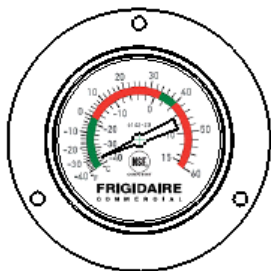
## Control de temperatura ajustable

El control de frío ajustable está ubicado en la parte superior izquierda del alojamiento del evaporador en el interior de la unidad. La posición "5" es el ajuste intermedio (recomendado) y "9" es el ajuste más frío.



## Medidor de temperatura certificado por la NSF

Este electrodoméstico viene equipado con un medidor de temperatura certificado por la NSF para mostrar la temperatura interna del gabinete. El medidor de temperatura está ubicado en la parte superior derecha del alojamiento del evaporador en el interior de la unidad.



## Lámpara fluorescente (modelos con puerta de vidrio)

El refrigerador con puerta de vidrio viene equipado con una lámpara fluorescente de 17 vatios. Si el balastro y la bombilla no concuerdan, el resultado podría ser una iluminación baja o inexistente.

Si la bombilla falla, reemplácela con una bombilla del mismo tipo y vatiaje. También reemplace bombillas que destellan continuamente. Esto podría dañar el balastro.

Si apaga la lámpara cuando no esté en uso ahorrará energía. Sin embargo, si se enciende y se apaga la bombilla con frecuencia se reducirá su vida útil.

Sólo utilice bombillas certificadas por la NSF. Puede obtener estas bombillas de su centro de servicio Frigidaire Commercial llamando al 1-866-738-1640.

## Luz interior (modelos con puerta de acero inoxidable)

Los modelos de acero inoxidable vienen equipados con una bombilla de 40 vatios que se enciende cuando se abre la puerta. Si se daña la bombilla, reemplácela con una bombilla del mismo tipo y potencia. Esta bombilla es de un tipo especial y está recubierta con una capa a prueba de fracturas. Sólo utilice bombillas del mismo tipo y vatiaje certificadas por la NSF. Puede obtener estas bombillas de su centro de servicio Frigidaire Commercial llamando al 1-866-738-1640.

## Otras características

- Evaporador de instalación superior certificado por la NSF.
- Gabinete con aislamiento de espuma de uretano de 2-1/2" de grosor.
- Cerrador de puerta a resorte de torsión (modelos con puertas de vidrio).
- Alojamiento de acero inoxidable para el evaporador.
- Tapa de desgüe removible de acero inoxidable.
- Rejilla delantera de alta resistencia.
- Enchufe eléctrico preformado de alta resistencia de calidad comercial.
- Soportes removibles de alta resistencia de acero inoxidable para estantes.

## Mantenimiento de rutina

### Limpieza del interior

Asegúrese de girar el control de temperatura a la posición "OFF" (apagado) y desenchufe el cordón eléctrico. Lave la superficie interior del área de almacenamiento usando agua tibia y una solución de bicarbonato de sodio (aproximadamente una cucharada de bicarbonato de sodio por cada litro de agua tibia). Enjuague bien con agua tibia limpia y seque con un paño. Este procedimiento también puede ser usado para limpiar las juntas de la puerta. Limpie las placas de acero inoxidable usando el limpiador de acero inoxidable (Magic Clean), pieza número 218490900, el cual puede obtener de su centro de servicio Frigidaire Commercial llamando al 1-866-738-1640, o usando cualquier otro limpiador de acero inoxidable.

### Limpieza del exterior

Limpie ocasionalmente el exterior del gabinete usando un paño humedecido en detergente suave con agua. Enjuague y seque con un paño suave. Limpie la rejilla inferior y la puerta de acero inoxidable usando el limpiador de acero inoxidable (Magic Clean) o cualquier otro limpiador de acero inoxidable. No use hojas de afeitar ni ningún otro instrumento afilado que pueda rayar la superficie del electrodoméstico cuando retire las etiquetas adhesivas. Cualquier residuo de goma que quede de la cinta adhesiva puede ser removido usando una mezcla de agua tibia y detergente suave. También puede tocar el residuo de goma con el lado adhesivo de la cinta que haya retirado. **NO RETIRE LA PLACA DE SERIE.**

### Bandeja de condensación

Algunos modelos cuentan con una bandeja de condensación en una posición fija detrás de la rejilla inferior. Esta bandeja no debe ser removida de debajo del gabinete. Si se retira la bandeja, la condensación caerá sobre el piso.

## FALLA ELÉCTRICA

**NO abra la tapa del congelador sin necesidad si el congelador permanece apagado por varias horas.**

Si ocurre una falla eléctrica, coloque siete u ocho libras (3 o 3,5 kilos) de hielo seco en el congelador cada 24 horas. Puede buscar proveedores de hielo seco en las páginas amarillas bajo "hielo seco", "lecherías" o "heladerías". Siempre use guantes y tenga cuidado cuando manipule hielo seco.

## Medidas de conservación de energía

Este electrodoméstico está diseñado para una gran eficiencia utilizando aislamiento de espuma pesada. Sin embargo, hay ciertas cosas que el usuario puede hacer para mantener el electrodoméstico en buenas condiciones de funcionamiento.

- No haga funcionar el electrodoméstico a una temperatura más fría de lo necesario para mantener temperaturas seguras para el almacenamiento de alimentos.
- Asegúrese de que el electrodoméstico esté instalado en un lugar alejado de los rayos directos del sol, conductos de ventilación, etc.
- Mantenga la puerta cerrada excepto para el uso normal. Inspeccione la puerta con frecuencia para asegurarse de que cierre por sí sola y que las juntas estén en buenas condiciones.
- No sobrecargue el gabinete con productos ya que puede interferir con el flujo normal de aire.
- Haga inspeccionar el producto cada año por una compañía de servicio calificado para asegurarse de que la carga de refrigerante sea la correcta.
- Este electrodoméstico funciona con mayor eficiencia en un ambiente frío que en uno caliente. Trate de mantener una temperatura ambiente por debajo de 80°F (27°C) y 65% de humedad relativa para una máxima eficiencia.

### Períodos de inactividad y sugerencias para la mudanza

Deje el congelador en funcionamiento durante los períodos de inactividad menores de tres (3) semanas.

### Períodos prolongados de inactividad

Si no se va a utilizar el congelador por algunos meses:

- Retire todos los alimentos del refrigerador y desenchufe el cordón eléctrico.
- Limpie y seque el interior del refrigerador completamente.
- Deje la puerta del congelador levemente abierta (y bloquéela de ser necesario) para evitar la acumulación de olores y de moho.

### Mudanza

Cuando mueva el congelador, siga las siguientes recomendaciones para evitar daños:

- Desconecte el enchufe del cordón eléctrico del tomacorriente.
- Retire los alimentos del congelador, luego descongélelo y límpielo.
- Asegure todos los artículos sueltos como el panel de la base, las cestas y los estantes fijándolos con cinta adhesiva para evitar daños.
- En el vehículo de mudanza, asegure el congelador en posición vertical para evitar movimiento. Además, proteja el exterior del congelador con una frazada o un artículo similar.

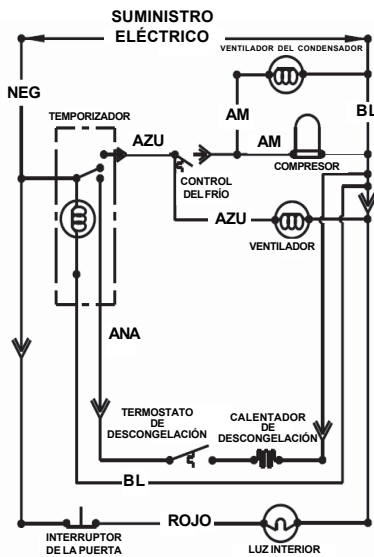
<b>GUÍA DE LOCALIZACIÓN Y SOLUCIÓN DE AVERÍAS</b>		
Antes de solicitar servicio, revise esta lista. Puede ahorrarle tiempo y dinero. Esta lista incluye los incidentes más comunes que no son originados por mano de obra o materiales defectuosos en este electrodoméstico.		
<b>PROBLEMA</b>	<b>CAUSA</b>	<b>CORRECCIÓN</b>
<b>FUNCIONAMIENTO DEL CONGELADOR</b>		
El congelador no funciona.	* El congelador está enchufado a un circuito de interruptor de falla de conexión a tierra.	* Use otro circuito. Si no está seguro sobre el tomacorriente, hágalo revisar por un técnico certificado.
	* El control de temperatura está en la posición "OFF" (apagado).	* Vea la sección de ajuste del termostato.
	* Es posible que el congelador no esté enchufado o que el enchufe esté flojo.	* Asegúrese de que el enchufe esté firmemente conectado al tomacorriente.
	* Se quemó un fusible de la casa o se disparó el disyuntor.	* Verifique o reemplace el fusible con un fusible de acción retardada de 15 amp. Restablezca el disyuntor.
	* Interrupción del suministro eléctrico.	* Verifique las luces del hogar. Llame a su compañía eléctrica.
El congelador funciona demasiado o por demasiado tiempo.	* La temperatura de la habitación o del ambiente es caliente.	* Es normal que el congelador funcione más bajo estas condiciones.
	* El congelador fue desconectado recientemente por un período de tiempo.	* Toma 24 horas para que el congelador se enfríe completamente.
	* Se almacenaron grandes cantidades de alimentos tibios o calientes recientemente.	* Los alimentos tibios harán que el congelador funcione más hasta que se alcance la temperatura deseada.
	* La puerta se mantiene abierta demasiado tiempo o se abre con demasiada frecuencia.	* El aire caliente que entra en el congelador lo hace funcionar más. Abra la puerta con menor frecuencia.
	* La puerta del congelador puede estar levemente abierta.	* Vea el apartado "problemas de la puerta".
	* El control de la temperatura está en un ajuste demasiado bajo.	* Gire la perilla a un ajuste más tibio. Espere varias horas hasta que la temperatura se estabilice.
	* Las juntas del congelador están sucias, gastadas, agrietadas o mal ajustadas.	* Limpie o cambie la junta. Los escapes en el sello de la tapa harán que el congelador funcione más para mantener la temperatura deseada.
La temperatura interna del congelador es demasiado fría.	* El control de la temperatura está en un ajuste demasiado bajo.	* Gire la perilla a un ajuste más tibio. Espere varias horas hasta que la temperatura se estabilice.
La temperatura interna del congelador es demasiado caliente.	* El control de la temperatura está en un ajuste demasiado tibio.	* Gire la perilla a un ajuste más frío. Espere varias horas hasta que la temperatura se estabilice.
	* La puerta se mantiene abierta demasiado tiempo o se abre con demasiada frecuencia.	* El aire caliente que entra en el congelador lo hace funcionar más. Abra la puerta con menor frecuencia.
	* La puerta del congelador puede estar levemente abierta.	* Vea el apartado "problemas de la puerta".
	* Se almacenaron grandes cantidades de alimentos tibios o calientes recientemente.	* Espere hasta que el congelador haya tenido la oportunidad de alcanzar la temperatura seleccionada.
	* El congelador fue desconectado recientemente por un período de tiempo.	* El congelador requiere 24 horas para enfriarse completamente.
La superficie exterior del congelador está tibia.	* Las paredes externas del congelador pueden estar hasta 30°F (16°C) más calientes que la temperatura ambiente.	* Esto es normal mientras el compresor funciona para transferir el calor desde el interior del gabinete del congelador.
<b>SONIDOS Y RUIDOS</b>		
Niveles de sonido más altos cuando el congelador está encendido.	* Los congeladores modernos han aumentado la capacidad de almacenamiento y la estabilidad de las temperaturas. Estos electrodomésticos requieren compresores de alta capacidad.	* Esto es normal. Cuando el ruido del ambiente es bajo, es posible escuchar el compresor en funcionamiento mientras enfría el interior del refrigerador.
Sonidos más duros cuando se enciende el compresor.	* El congelador funciona a presiones mayores durante el inicio del ciclo de ENCENDIDO.	* Esto es normal. El sonido se estabilizará o desaparecerá a medida que el congelador siga funcionando.
Se escuchan ruidos de golpes o chasquidos cuando se enciende el compresor.	* Las piezas de metal se expanden y contraen al igual que en las tuberías de agua caliente.	* Esto es normal. El sonido se estabilizará o desaparecerá a medida que el congelador siga funcionando.

<b>PROBLEMA</b>	<b>CAUSA</b>	<b>CORRECCIÓN</b>
<b>SONIDOS Y RUIDOS (cont.)</b>		
Ruido burbujeante o gorgoteante, como de agua hirviente.	* El refrigerante (usado para enfriar el congelador) circula a través del sistema.	* Esto es normal.
Ruido de vibración o traqueteo.	* El congelador está desnivelado. Se balancea en el piso cuando se mueve levemente.	* Nivele el congelador colocando cuñas de madera o metal debajo de parte del congelador.
	* El piso está desnivelado o endeble.	* Asegúrese de que el piso pueda soportar adecuadamente el congelador. Nivele el congelador colocando cuñas de madera o metal debajo de parte del congelador.
	* El congelador está haciendo contacto con la pared.	* Vuelva a nivelar el congelador o muévelo levemente.
<b>AGUA/HUMEDAD/ESCARCHA DENTRO DEL CONGELADOR</b>		
Se acumula humedad dentro de las paredes interiores del congelador.	* El clima es cálido y húmedo, lo que aumenta la tasa interna de acumulación de escarcha.	* Esto es normal.
	* La puerta está levemente abierta.	* Vea el apartado "problemas de la puerta".
	* La puerta se mantiene abierta demasiado tiempo o se abre con demasiada frecuencia.	* Abra la puerta con menor frecuencia.
<b>OLORES EN EL CONGELADOR</b>		
Olores en el congelador.	* El interior debe ser limpiado.	* Limpie el interior con una esponja, con agua tibia y con bicarbonato de sodio.
	* Hay alimentos con olores fuertes en el congelador.	* Cubra bien los alimentos.
<b>PROBLEMAS DE LA PUERTA</b>		
La puerta no cierra.	* El congelador está desnivelado. Se balancea en el piso cuando se mueve levemente.	* Nivele el congelador colocando cuñas de madera o metal debajo de parte del congelador.
	* El piso está desnivelado o endeble.	* Asegúrese de que el piso pueda soportar adecuadamente el congelador. Nivele el congelador colocando cuñas de madera o metal debajo de parte del congelador.
<b>PROBLEMAS DE ILUMINACIÓN</b>		
La bombilla no enciende.	* La lámpara fluorescente o la bombilla están quemadas.	* Vea el apartado "lámpara fluorescente" o "luz interior" en la sección de características.
	* No llega corriente eléctrica al electrodoméstico.	* Vea la sección "el congelador no funciona".

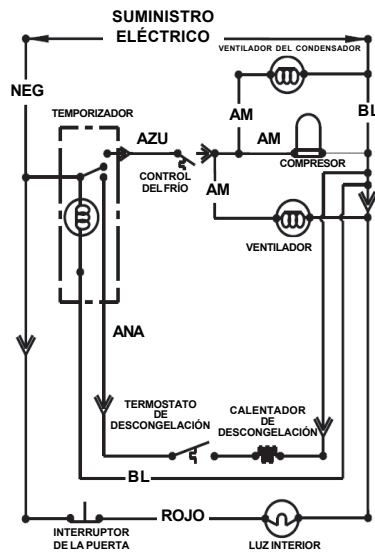
# AVISO IMPORTANTE SOBRE SEGURIDAD

La información proporcionada en este documento está diseñada para ayudar solamente a personal técnico de reparación calificado. El personal que no esté entrenado no debe intentar hacer reparaciones ya que existe el riesgo de sufrir un choque eléctrico. Desconecte el cordón eléctrico antes de realizar servicio.

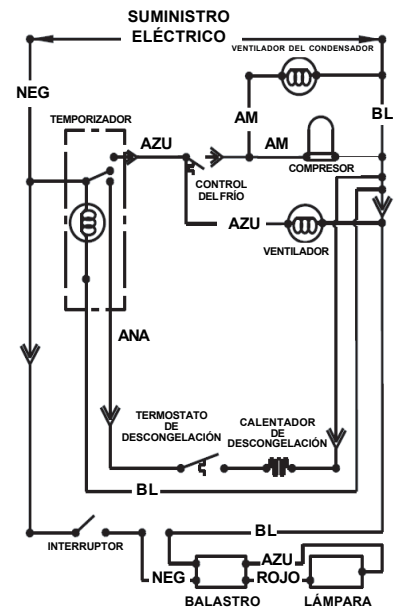
## CIRCUITO ELÉCTRICO



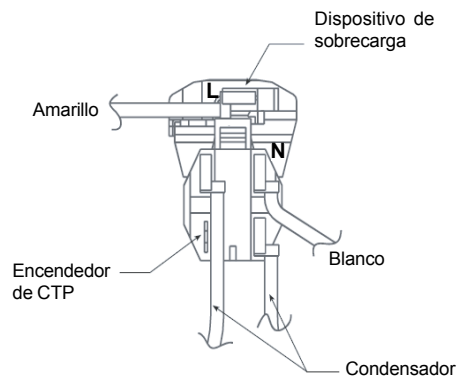
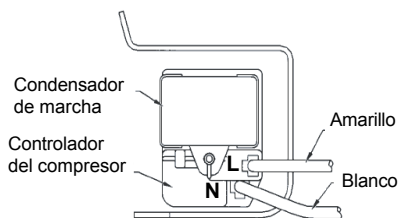
**REFRIGERADOR CON PUERTA DE ACERO INOXIDABLE**



**CONGELADOR CON PUERTA DE ACERO INOXIDABLE**



**REFRIGERADOR CON PUERTA DE VIDRIO**



## IMPORTANTE

**SI SE RETIRA CUALQUIERA DE LOS CABLES VERDES DURANTE EL SERVICIO, LOS MISMOS DEBEN SER REINSTALADOS CORRECTAMENTE Y ASEGURADOS EN SU POSICIÓN INICIAL.**

# Información de la garantía de los electrodomésticos comerciales

Su electrodoméstico está cubierto por una garantía limitada de un año. Durante un año a partir de la fecha original de compra, Electrolux cubrirá todos los costos de reparación o reemplazo de cualquier pieza de éste electrodoméstico que se encuentren defectuosas en materiales o mano de obra cuando el electrodoméstico se instala, utiliza y mantiene de acuerdo con las instrucciones proporcionadas.

## Exclusiones

### Esta garantía no cubre lo siguiente:

1. Todos los costos de mano de obra de los productos comerciales de lavandería.
2. Dispositivos de pago para los productos comerciales de lavandería.
3. Los productos con números de serie originales que han sido sacados o alterados o no puedan ser fácilmente determinados.
4. Desgaste normal y deterioramiento gradual.
5. Productos que hayan sido transferidos del dueño original a un tercero o que no se encuentren en los EE.UU. o en Canadá.
6. Óxido en el interior o exterior de la unidad.
7. Productos comprados "como están".
8. Pérdida de alimentos por fallas del refrigerador o congelador.
9. Daños causados en cualquier momento durante el envío.
10. Las llamadas de servicio que no involucren el funcionamiento defectuoso ni los defectos de materiales o de mano de obra, o para electrodomésticos que no hayan sido utilizados de acuerdo con las instrucciones proporcionadas.
11. Llamadas de servicio para corregir errores de instalación del electrodoméstico o para instruirlo sobre el uso del mismo.
12. Los gastos necesarios para hacer accesible el electrodoméstico a fin de repararlo, como por ejemplo la extracción de adornos, alacenas, estanterías, etc., que no formaban parte del electrodoméstico en el momento en que salió de la fábrica.
13. Llamadas de servicio para reparar o reemplazar bombillas, filtros de aire, filtros de agua, otros consumibles, perillas, manijas u otras piezas decorativas.
14. Costos adicionales que incluyen, sin limitarse, cualquier llamada de servicio fuera de las horas de oficina, durante los fines de semana o días feriados, peajes, pasajes de transporte o millaje/kilometraje para llamadas de servicio en áreas remotas, incluyendo el estado de Alaska.
15. Daños al acabado del electrodoméstico o al lugar de uso que hayan ocurrido durante la instalación, incluyendo, sin limitarse, los marios, paredes, etc.
16. Daños causados por: servicio realizado por compañías de servicio no autorizadas, el uso de piezas que no sean piezas genuinas Electrolux o piezas obtenidas de personas que no pertenezcan a compañías de servicio autorizado, o causas externas como abuso, mal uso, suministro eléctrico inadecuado, accidentes, incendios o hechos fortuitos.
17. Costos de mano de obra realizada después de noventa (90) días a partir de la fecha original de compra por reparaciones o reemplazos como se indica aquí para electrodomésticos operados por un concesionario o proveedor en un remolque u otro vehículo motorizado o en ubicaciones varias.

## RENUNCIA DE RESPONSABILIDAD DE GARANTÍAS IMPLÍCITAS; LIMITACIÓN DE ACCIONES LEGALES

LA ÚNICA Y EXCLUSIVA OPCIÓN DEL CLIENTE BAJO ESTA GARANTÍA LIMITADA ES LA REPARACIÓN O REEMPLAZO DEL PRODUCTO SEGÚN SE INDICA. LOS RECLAMOS BASADOS EN GARANTÍAS IMPLÍCITAS, INCLUYENDO LAS GARANTÍAS DE COMERCIALIZACIÓN O APTITUD DEL PRODUCTO PARA UN PROPÓSITO ESPECÍFICO, ESTÁN LIMITADOS A UN AÑO O AL PERÍODO MÍNIMO PERMITIDO POR LEY, PERO NUNCA MENOS DE UN AÑO. ELECTROLUX NO SERÁ RESPONSABLE POR DAÑOS CONSECUENTES O INCIDENTALES COMO POR EJEMPLO DAÑOS A LA PROPIEDAD Y GASTOS INCIDENTALES OCASIONADOS POR EL INCUMPLIMIENTO DE ESTA GARANTÍA ESCRITA O DE CUALQUIER GARANTÍA IMPLÍCITA. ALGUNOS ESTADOS Y PROVINCIAS NO PERMITEN LA EXCLUSIÓN O LIMITACIÓN DE DAÑOS INCIDENTALES O CONSECUENTES O LIMITACIONES EN LA DURACIÓN DE LAS GARANTÍAS IMPLÍCITAS, DE MANERA QUE PUEDE QUE ESTAS LIMITACIONES O EXCLUSIONES NO SE APLIQUEN EN SU CASO. ESTA GARANTÍA ESCRITA LE OTORGA DERECHOS LEGALES ESPECÍFICOS. ESO POSIBLE QUE TAMBIÉN TENGA OTROS DERECHOS QUE VARIAN DE UN ESTADO A OTRO.

**Si tiene que solicitar servicio técnico** Guarde su recibo, el comprobante de entrega o cualquier otro registro de pago adecuado para establecer el periodo de la garantía si llegara a requerir servicio.  
Si se realiza la reparación, le conviene obtener y conservar todos los recibos.  
El servicio realizado bajo esta garantía debe ser obtenido a través de Electrolux utilizando las direcciones o números que se indican abajo.

Esta garantía sólo se aplica en los Estados Unidos y Canadá. En los EE.UU., su electrodoméstico está garantizado por Electrolux Major Appliances North America, una división de Electrolux Home Products, Inc. En Canadá, su electrodoméstico está garantizado por Electrolux Canada Corp. Electrolux no autoriza a ninguna persona a cambiar o agregar ninguna obligación bajo esta garantía. Nuestras obligaciones de reparación y piezas bajo esta garantía deben ser realizadas por Electrolux o compañía de servicio autorizado. Las especificaciones o características del producto según se describen o ilustran están sujetas a cambio sin previo aviso.

## EE. UU.

1.866.738.1640

Electrolux Major Appliances  
North America  
P.O. Box 212378  
Augusta, GA 30907



## Canadá

1.866.738.1640

Electrolux Canada Corp.  
5855 Terry Fox Way  
Mississauga, Ontario, Canada  
L5V 3E4

# **FRIGIDAIRE**

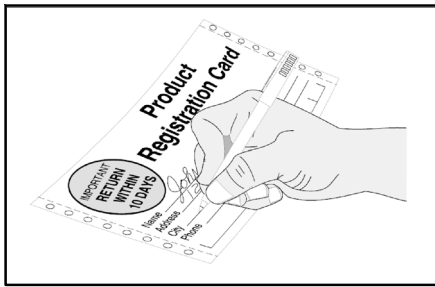
## **C O M M E R C I A L**

### **RÉFRIGÉRATEUR/CONGÉLATEUR COMMERCIAL PORTE DE RÉFRIGÉRATEUR EN VERRE**

#### **TABLE DES MATIÈRES**

Enregistrement du produit .....	2
Conseils de sécurité importants .....	2
Électricité .....	3
Préparation et installation .....	3-4
Mise en marche de l'appareil .....	5
Caractéristiques .....	5
Entretien courant.....	6
Mesures d'économie d'énergie .....	7
Guide de dépannage .....	8-9
Schéma de câblage .....	10
Garantie .....	11

## Enregistrement du produit



Ces instructions contiennent de l'information destinée à garantir à l'utilisateur une installation, un fonctionnement et un entretien appropriés. Avant d'essayer d'installer, d'ajuster ou d'entretenir l'appareil, assurez-vous :

- d'avoir bien lu et compris les instructions.
- d'avoir tous les outils nécessaires et de savoir vous en servir.
- d'avoir respecté les restrictions d'installation et d'utilisation et d'être familier avec les fonctions et le fonctionnement de l'appareil.
- de bien suivre toutes les instructions données.

Tous les raccords, mesures, recommandations et procédures sont importants. Les remplacements et les approximations doivent être évitées. Une manipulation, un entretien, une installation et un ajustement inadéquats ou une réparation effectuée par une autre personne qu'un technicien qualifié peuvent entraîner l'annulation des réclamations au titre de la garantie, endommager l'appareil et/ou blesser l'utilisateur et/ou des autres personnes.

### Notez les numéros de modèle et de série de votre appareil

Notez les numéros de modèle et de série de cet appareil dans l'espace ci-dessous (la plaque signalétique est située à l'intérieur du compartiment congélateur).

N° de modèle \_\_\_\_\_

N° de série \_\_\_\_\_

Date d'installation \_\_\_\_\_

Date de facturation \_\_\_\_\_

Date de mise en marche \_\_\_\_\_

N° de téléphone pour la réparation \_\_\_\_\_

### Enregistrez votre produit

La **CARTE D'ENREGISTREMENT DU PRODUIT** pré-adressée (illustrée ci-dessus) doit être complètement remplie, signée et retournée à l'adresse fournie.

## Importantes mesures de sécurité

Lisez toutes les instructions avant d'utiliser l'appareil.

### **AVERTISSEMENT** Pour votre sécurité

N'entreposez pas ou n'utilisez pas de l'essence ou tout autre vapeur ou liquide inflammable à proximité de cet appareil ou de tout autre appareil électroménager. Lisez les étiquettes de produit concernant les risques d'inflammabilité et autres avertissements.

### **AVERTISSEMENT** Sécurité des enfants

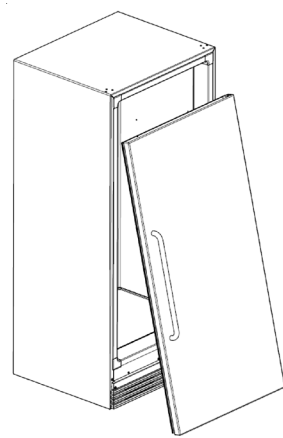
- Détruisez le carton, les sacs en plastique et tout matériau d'emballage externe immédiatement après le déballage de l'appareil. Les enfants ne doivent jamais jouer avec ces articles. Les cartons recouverts de tapis, de couvertures, de feuilles de plastique ou de film étirable peuvent devenir étanches à l'air et rapidement provoquer un étouffement.
- Un enfant pourrait s'étouffer s'il rentre dans l'appareil pour se cacher ou jouer. Retirez la porte/le couvercle de l'appareil lorsqu'il n'est pas utilisé, même si vous avez prévu de le jeter. Beaucoup de communautés ont des lois exigeant que cette mesure de sécurité soit appliquée.

### Mise au rebut appropriée de votre congélateur

### **AVERTISSEMENT** Risques d'enfermement des enfants.

Les risques d'enfermement et de suffocation des enfants ne sont pas des problèmes dépassés. Les réfrigérateurs abandonnés ou mis au rebus sont dangereux, même si ce n'est « que pour quelques jours ». Si vous désirez vous défaire de votre vieux réfrigérateur ou congélateur, veuillez suivre les instructions ci-dessous afin d'aider à prévenir les accidents.

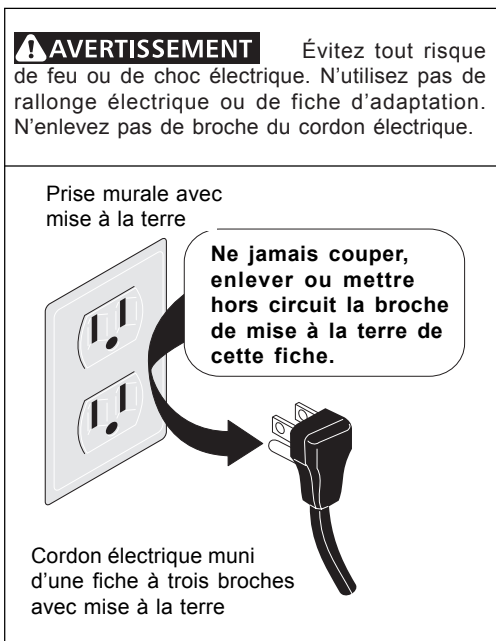
- Retirez la porte.
- Laissez les clayettes en place pour que les enfants ne puissent pas grimper à l'intérieur facilement.
- Demandez à un technicien qualifié d'enlever le réfrigérant.





## **⚠ AVERTISSEMENT** Électricité

**Vous devez suivre ces directives pour que les mécanismes de sécurité de votre appareil fonctionnent correctement.**



- **Reportez-vous à la plaque signalétique pour l'alimentation électrique nominale appropriée.** Le cordon d'alimentation de l'appareil est muni d'une fiche à trois broches avec mise à la terre afin de vous protéger contre les chocs électriques. Il doit être branché directement dans une prise à trois alvéoles correctement mise à la terre et protégée par un fusible temporisé de 15 A ou un disjoncteur. La prise murale doit être installée selon les codes locaux et règlements en vigueur. Consultez un technicien qualifié. Les prises avec disjoncteurs de fuite de terre **NE SONT PAS RECOMMANDÉES. N'UTILISEZ PAS DE RALLONGE ÉLECTRIQUE OU DE FICHE D'ADAPTATION.**
- Si la tension varie de 10 % ou plus, les performances de l'appareil risquent d'être affectées. Utiliser l'appareil sans une alimentation électrique suffisante peut endommager le moteur. Un tel dommage n'est pas couvert par la garantie. Si vous avez l'impression que votre tension est haute ou basse, consultez votre compagnie d'électricité pour une vérification.
- Pour éviter que l'appareil ne soit accidentellement débranché, ne le branchez pas sur une prise commandée par un interrupteur mural ou un cordon de tirage.
- **NE PINCEZ, NOUEZ ou PLIEZ PAS** le cordon d'alimentation de quelque manière que ce soit.

## **⚠ AVERTISSEMENT** Autres précautions

- **NE DÉBRANCHEZ JAMAIS** l'appareil en tirant sur le cordon. Tenez toujours la fiche fermement et retirez-la de la prise en la tenant bien droite.
- Pour éviter les chocs électriques, débranchez l'appareil avant de le nettoyer.

**REMARQUE :** Placer la commande à la position « OFF » (ARRÊT), permet d'éteindre le compresseur mais ne coupe pas l'alimentation des autres composants électriques.

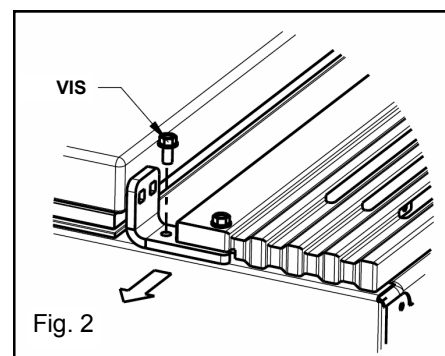
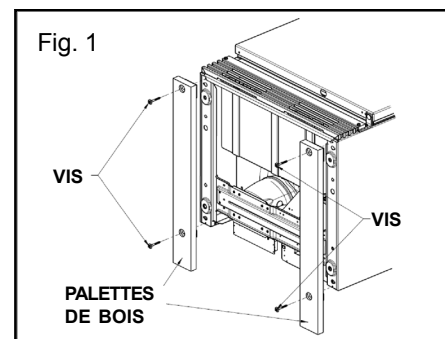
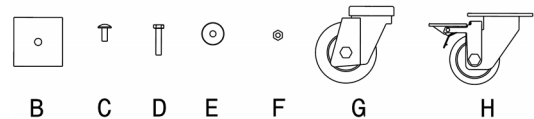
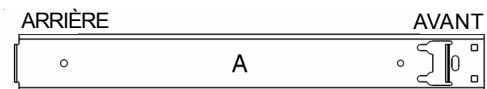
## Préparation et installation

### Recherche de dommages

Inspectez le dessous de la caisse et de l'emballage pour rechercher des dommages comme ceux causés par un chariot élévateur à fourche. Après le déballage, si vous découvrez un dommage dissimulé, appelez immédiatement le transporteur livreur et demandez à ce qu'une inspection soit effectuée. Conservez tous les emballages et matériaux d'emballages jusqu'à ce que l'inspection soit terminée.

### Déballage et préparation

- Retirez le carton et toutes les pièces libres de l'intérieur de l'appareil.
- Avec une autre personne, couchez l'appareil, dos au sol.
- Retirez et jetez les deux (2) palettes de bois et les quatre (4) vis (voir Fig. 1).
- Retirez la charnière inférieure de la porte et la vis à l'aide d'une clé à douille de 1 cm (3/8 po) (voir Fig. 2).
- Retirez le paquet qui contient les roulettes de cet appareil. Ce paquet contient les pièces suivantes :
  - Deux (2) rails de support pour roulette (A)
  - Deux (2) espaceurs pour plaque (B)
  - Huit (8) boulons ordinaires (C)
  - Quatre (4) boulons (D)
  - Quatre (4) rondelles (E)
  - Huit (8) contre-écrous (F)
  - Deux (2) roulettes pivotantes (G)
  - Deux (2) roulettes fixes avec freins (H)



### Installation des roulettes fixes avant

- Insérez deux (2) boulons ordinaires à l'arrière de la roulette fixe (sans frein) et maintenez les boulons ordinaires en place sans les serrer en les vissant plusieurs tours chacun sur les contre-écrous. Ne serrez pas encore les boulons.
- Maintenez la roulette en place, insérez les têtes des boulons ordinaires dans les fentes près de l'avant du rail de roulette et faites glisser la roulette vers l'arrière.
- Insérez les deux (2) boulons ordinaires avant dans le côté supérieur du rail de roulette et ensuite dans les trous avant de la roulette. Fixez les contre-écrous sur chacun des boulons.
- Serrez bien tous les contre-écrous à l'aide d'une clé plate simple ou d'une clé à douille de 1,3 cm (1/2 po) (voir Fig. 3).
- Répétez la même procédure pour l'autre roulette fixe.

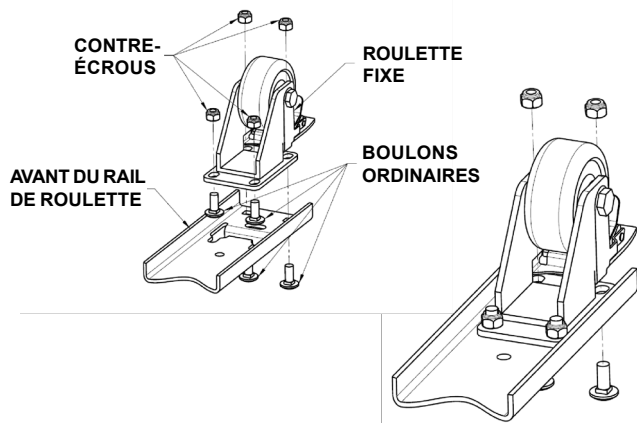


Fig. 3

### Installation des roulettes pivotantes arrière

- Placez une rondelle sur un boulon long et placez le boulon dans le trou de la roulette pivotante.
- Ensuite, insérez le boulon de la roulette dans le trou de l'espaceur en métal, puis, dans le trou arrière du rail de roulette (voir Fig. 4).

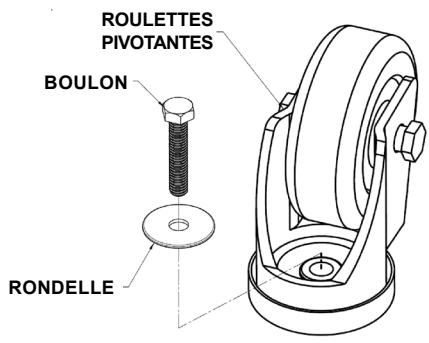


Fig. 4

### Installation des rails de roulette

- En maintenant la roulette pivotante en place, alignez le rail de roulette avec le côté inférieur droit de l'appareil.
- Vissez le boulon de la roulette dans le trou au niveau du pied le plus bas du rail de base (lorsque l'appareil repose sur le sol).
- Serrez bien le boulon à l'aide d'une clé plate simple ou d'une clé à douille de 1,3 cm (1/2 po) (voir Fig. 5).
- Répétez la même procédure pour le côté gauche avec l'autre roulette pivotante et rail de roulette.

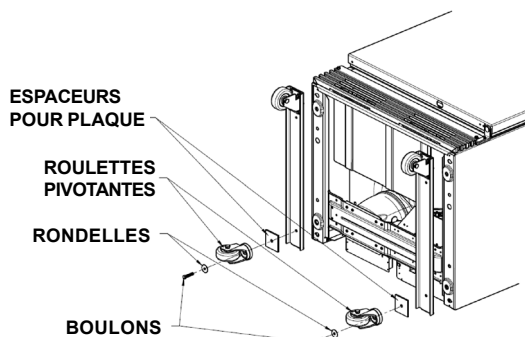


Fig. 5

- Placez une rondelle sur un boulon long et faites glisser le boulon dans le trou situé juste derrière la roulette fixe à l'avant du rail de roulette.
- Alignez le boulon avec le trou situé sur le pied avant du rail de base droit. Vissez le boulon dans le trou et serrez-le bien à l'aide d'une clé plate simple ou d'une clé à douille de 1,3 cm (1/2 po) (voir Fig. 6).
- Répétez la même procédure pour le rail de roulette gauche. Après l'installation, relevez l'appareil avec une autre personne.

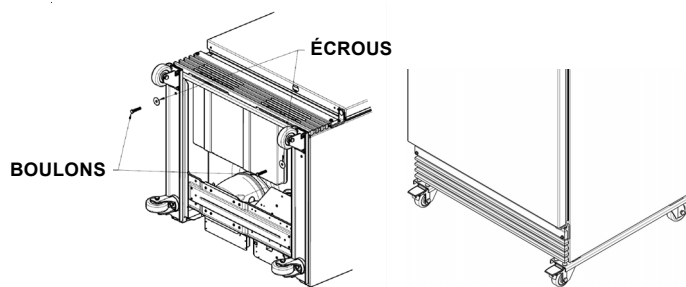


Fig. 6

### Mise en place de l'appareil

Laissez un espace de 2,5 cm (1 po) de chaque côté et derrière la caisse pour faciliter l'installation, la circulation de l'air et les raccordements électriques. **N'OBSTRUEZ PAS la grille avant située sur la partie inférieure avant de votre réfrigérateur/congélateur.** Une bonne circulation de l'air est essentielle pour que votre réfrigérateur/congélateur fonctionne correctement. Placez l'appareil près d'une prise électrique mise à la terre. Pour permettre un fonctionnement des plus efficaces, l'appareil doit être placé dans un endroit où la température n'excède pas 43 °C (110 °F). L'appareil ne doit pas être utilisé dans un endroit où les températures ambiantes sont en dessous de 0 °C (32° F). Les éléments chauffants de compresseur supplémentaires ne sont pas recommandés.

## Isolation

La zone isolée de cette caisse est scellée pour maintenir un rendement optimal. Des trous percés dans la caisse peuvent supprimer cette étanchéité et endommager les câbles électriques situés dans la zone isolée.

**LES CÂBLES ÉLECTRIQUES ENDOMMAGÉS OU UNE MAUVAISE ISOLATION, CAUSÉS PAR LE PERÇAGE DE TROUS, ANNULERONT LA GARANTIE.**

## Mise en marche de l'appareil

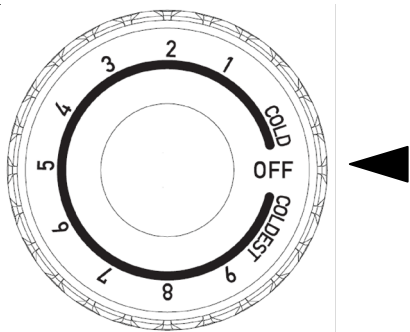
Une fois que l'appareil se trouve dans son emplacement définitif et que l'alimentation et la mise à la terre sont bien appropriées, les éléments suivants doivent être vérifiés ou complétés :

### Période de refroidissement

Pour une bonne conservation des aliments, laissez fonctionner l'appareil pendant 24 heures pour lui permettre de refroidir avant d'y mettre des aliments. Cet appareil fonctionnera en permanence durant les premières heures. Ne placez pas d'aliments dans l'appareil avant les 24 premières heures de fonctionnement.

### Réglage du thermostat

Cet appareil est livré depuis l'usine avec son thermostat réglé à peu près au milieu de la gamme de températures de fonctionnement. Des ajustements plus froids ou plus chauds peuvent être faits une fois que l'appareil a fonctionné pendant au moins 8 heures. Avant de réajuster le thermostat, laissez fonctionner l'appareil au moins 8 heures pour que la température soit stabilisée.



### Réglage du dégivrage

L'appareil est conçu pour effectuer un dégivrage automatique toutes les 12 heures. Pour régler l'heure de dégivrage, attendez jusqu'à l'heure désirée. Avec l'encoche du bouton de la minuterie alignée avec la ligne sur le support (Fig. A), tournez doucement le bouton de la minuterie de dégivrage vers la droite. La minuterie sonnera plusieurs fois, puis, une fois fort, indiquant le début du cycle de dégivrage. Le bouton de la minuterie avancera pendant le cycle de dégivrage, puis, émettra un son fort à la fin du cycle (Fig. B). L'appareil effectuera un dégivrage automatique toutes les 12 heures après le premier cycle de dégivrage.

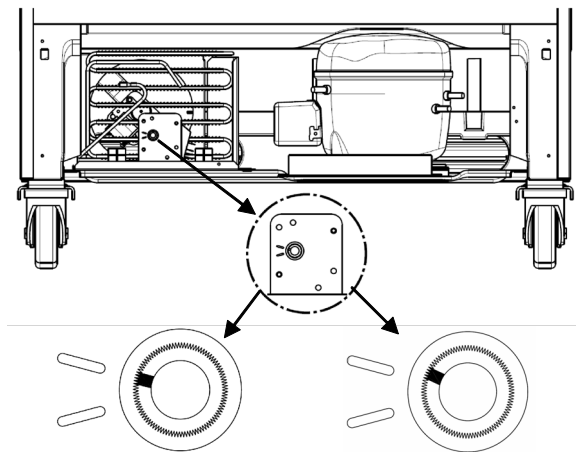


Fig. A

Position du bouton avant de tourner vers la droite pour lancer le cycle dégivrage (premier « clic »)

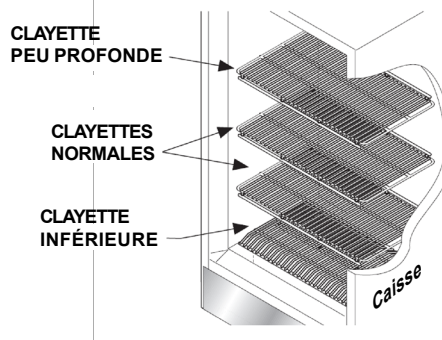
Fig. B

Position du bouton à la fin du cycle de dégivrage (second « clic »)

## Caractéristiques

### Clayettes réglables approuvées par NSF et FDA

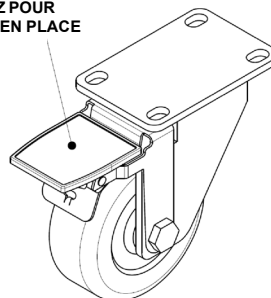
Cet appareil est fourni avec des clayettes réglables robustes ayant un revêtement en poudre époxy approuvées par **NSF** et **FDA**. Celle avec les câbles qui est inclinée à l'avant et à l'arrière se place en bas de la caisse. Les autres clayettes sont placées sur les supports de clayettes réglables en acier inoxydable qui, eux-mêmes, s'enclenchent sur les baguettes des supports de clayettes situées de chaque côté. Assurez-vous de placer la clayette peu profonde à la position la plus haute.



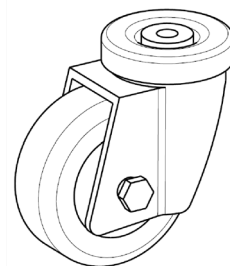
### Roulettes fixes avant et pivotantes arrière

Cet appareil est livré avec deux (2) roulettes fixes avant avec freins et deux (2) roulettes pivotantes arrière. Les roulettes permettent à l'appareil d'être déplacé avec facilité et placé en position verrouillée à l'emplacement désiré.

POUSSEZ POUR METTRE EN PLACE



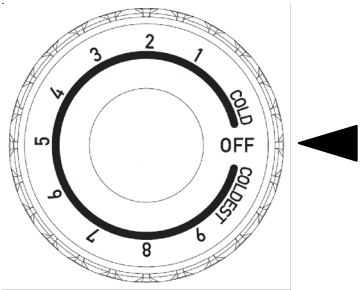
ROULETTE FIXE



ROULETTE PIVOTANTE

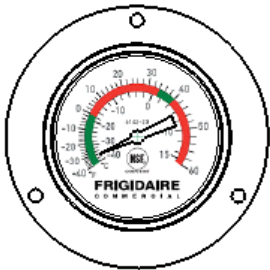
## Commande de température réglable

La commande de refroidissement réglable est située sur la partie supérieure gauche du boîtier de l'évaporateur à l'intérieur de l'appareil. « 5 » est le réglage moyen (recommandé) et « 9 » est le réglage le plus froid.



## Indicateur de température certifié par NSF

Cet appareil est équipé d'un indicateur de température certifié par NSF pour afficher la température à l'intérieur de la caisse. L'indicateur de température est située sur la partie supérieure droite du boîtier de l'évaporateur à l'intérieur de l'appareil.



## Lampe fluorescente (modèles avec porte en verre)

Le réfrigérateur avec porte en verre est équipé d'une lampe fluorescente de 17 watts. Un ballast ou une ampoule inadéquats peuvent entraîner un éclairage faible ou une absence d'éclairage.

Si la lampe grille, remplacez-la avec une lampe du même type et de même puissance. Remplacez également une lampe qui clignote en continu. Ceci pourrait endommager le ballast.

Éteindre la lumière lorsque l'appareil n'est pas utilisé permet d'économiser de l'énergie. Cependant, le fait d'allumer et d'éteindre fréquemment la lampe réduira sa durée de vie.

Utilisez uniquement des lampes certifiées par NSF que vous pouvez commander à votre Centre de service Frigidaire Commercial en téléphonant au 1-866-738-1640.

## Éclairage intérieur (modèles avec porte en acier inoxydable)

Les modèles avec porte en acier inoxydable sont équipés d'une ampoule de 40 watts qui éclaire lorsque la porte est ouverte. Si l'ampoule ne fonctionne plus bien, remplacez-la par une ampoule du même type et de même puissance. Il s'agit d'une ampoule spéciale avec un revêtement incassable. Utilisez uniquement des ampoules de même type et de même puissance certifiées par NSF que vous pouvez commander à votre Centre de service Frigidaire Commercial en téléphonant au 1-866-738-1640.

## Autres caractéristiques

- Évaporateur en haut certifié par NSF.
- Isolation de caisse en mousse d'uréthane de 6,3 cm (2 ½ po) d'épaisseur.
- Ferme-porte à ressort de torsion (modèles avec porte en verre).
- Boîtier de l'évaporateur en acier inoxydable.
- Couvercle amovible en acier inoxydable du tuyau de vidange.
- Grille avant robuste.
- Faisceau électrique robuste de classification commerciale.
- Supports de clayettes robustes, amovibles et en acier inoxydable.

## Entretien courant

### Nettoyage de l'intérieur

Assurez-vous d'avoir mis la commande de température sur « OFF » (Arrêt) et d'avoir débranché le cordon électrique. Nettoyez la surface intérieure de l'espace de rangement avec de l'eau chaude et de la solution de bicarbonate de soude (environ une cuillerée à soupe de bicarbonate de soude par pinte/1,136 litres d'eau chaude). Rincez soigneusement avec de l'eau propre et chaude et séchez. Cette procédure peut également être utilisée pour nettoyer les joints des portes. Nettoyez les plaques de couvercle en acier inoxydable avec le nettoyant pour acier inoxydable (Magic Clean), numéro de pièce 218490900, que vous pouvez commander à votre Centre de service Frigidaire Commercial en téléphonant au 1-866-738-1640 ou un autre nettoyant pour acier inoxydable.

### Nettoyage de l'extérieur

Nettoyez l'extérieur de la caisse de temps en temps avec un chiffon trempé dans un mélange d'eau et de détergent doux. Rincez et séchez avec un chiffon doux. Nettoyez la porte et la grille de protection en acier inoxydable avec le nettoyant pour acier inoxydable (Magic Clean) ou un autre nettoyant pour acier inoxydable. N'utilisez pas de lame de rasoir ou tout autre instrument pointu pouvant rayer la surface de l'appareil lorsque vous enlevez les étiquettes adhésives. La colle laissée par le ruban ou les étiquettes peut être enlevée à l'aide d'un mélange d'eau chaude et de détergent doux ou en touchant le résidu de colle avec le côté collant du ruban déjà enlevé. **N'ENLEVEZ PAS LA PLAQUE SIGNALÉTIQUE.**

### Bac de condensation

Certains modèles ont un bac de condensation à un endroit fixe situé derrière la grille de protection. Il ne doit pas être retiré de sous la caisse. Si le bac est enlevé, la condensation tombera sur le sol.

### PANNE D'ÉLECTRICITÉ

**N'OUVREZ PAS le couvercle du congélateur sans raison valable si le congélateur est éteint pendant plusieurs heures.**

Si une panne d'électricité se produit, placez 3,2 ou 3,6 kg (7 ou 8 lb) de glace sèche dans le congélateur toutes les 24 heures. Regardez dans les Pages Jaunes sous « Glace sèche », « Laiterie » ou « fabricants de crème glacée » pour obtenir la liste des fournisseurs de glace sèche locaux. Portez toujours des gants et faites preuve de prudence lorsque vous manipulez de la glace sèche.

## Mesures d'économie d'énergie

Cet appareil est conçu pour fonctionner efficacement avec une isolation en mousse épaisse. Cependant, l'utilisateur peut faire certaines choses pour que l'appareil continue à fonctionner correctement.

- Ne faites pas fonctionner l'appareil plus froid que nécessaire afin de maintenir des températures sûres de conservation des produits.
- Assurez-vous que l'appareil est placé de manière à éviter une exposition directe au soleil, aux conduits d'air, etc.
- Maintenez la porte fermée sauf lors d'une utilisation normale. Vérifiez que la porte se referme bien et que les joints sont en bon état.
- Ne rangez pas trop de produit dans la caisse. Cela risquerait de bloquer la circulation normale de l'air.
- Demandez au moins une fois par an à un technicien qualifié d'effectuer une inspection pour vérifier que la charge de réfrigérant est correcte.
- Cet appareil fonctionne mieux dans un environnement où la température ambiante est plus fraîche que dans un environnement où la température ambiante est chaude. Essayez de maintenir une température ambiante en dessous de 27 °C (80 °F) et une HR (Humidité relative) de 65 % pour une efficacité maximale.

### Périodes de non-utilisation et conseils pour les déménagements

Laissez fonctionner le congélateur pendant des périodes de non-utilisation de moins de trois (3) semaines.

#### Longues périodes de non-utilisation

Si le congélateur n'est pas utilisé pendant plusieurs mois :

- Retirez tous les aliments et débranchez le cordon d'alimentation.
- Nettoyez et séchez soigneusement l'intérieur.
- Laissez la porte du congélateur entrouverte et bloquez-la en position ouverte si nécessaire, afin de prévenir les odeurs et l'accumulation de moisissure.

#### Déménagement

Lorsque vous déplacez le congélateur, suivez ces directives afin de prévenir tout dommage :

- Débranchez le cordon d'alimentation de la prise murale.
- Retirez les aliments, effectuez un dégivrage et nettoyez le congélateur.
- Fixez bien toutes les pièces amovibles comme le panneau principal, les paniers et les clayettes avec du ruban pour prévenir tout dommage.
- Dans le véhicule de déménagement, fixez le congélateur en position debout de manière à empêcher tout mouvement. Protégez également l'extérieur du congélateur à l'aide d'une couverture ou d'un objet semblable.

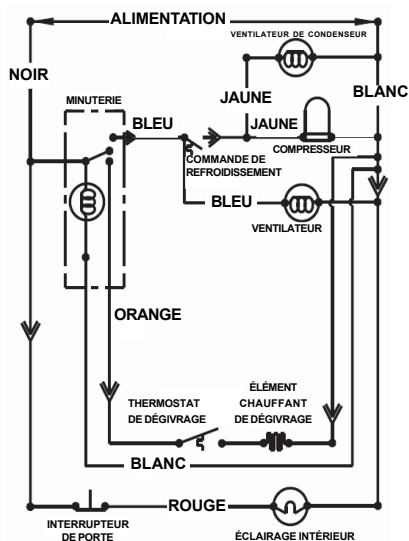
<b>GUIDE DE DÉPANNAGE</b>		Avant de faire appel au service après-vente, consultez cette liste. Elle pourra vous économiser temps et argent. Cette liste décrit des situations courantes qui ne sont causées ni par un défaut de fabrication ni par un matériau défectueux.	
<b>PROBLÈME</b>	<b>CAUSE</b>	<b>SOLUTION</b>	
<b>FONCTIONNEMENT DU CONGÉLATEUR</b>			
Le congélateur ne fonctionne pas.	* Le congélateur est branché sur un circuit avec interrupteur de défaut à la terre.	* Utilisez un autre circuit. Dans le doute, faites vérifier la prise par un technicien qualifié.	
	* La commande de température est à la position « OFF » (Arrêt).	* Reportez-vous à la section « Réglage du thermostat ».	
	* Le congélateur n'est pas branché ou la fiche est lâche.	* Assurez-vous que la fiche est bien branchée sur la prise.	
	* Les fusibles domestiques sont grillés ou le disjoncteur du circuit est déclenché.	* Vérifiez/remplacez le fusible temporisé de 15 A. Réinitialisez le disjoncteur du circuit.	
	* Panne de courant.	* Vérifiez les lumières de la maison. Téléphonnez à la compagnie d'électricité.	
Le congélateur fonctionne trop souvent ou trop longtemps.	* La pièce ou la température à l'extérieur est chaude.	* Il est normal que le congélateur fonctionne plus dans ces conditions.	
	* Le congélateur a été récemment débranché pendant un certain temps.	* Le congélateur nécessite 24 heures pour se refroidir complètement.	
	* Vous avez ajouté une grande quantité d'aliments chauds récemment.	* Les aliments chauds font fonctionner le congélateur davantage jusqu'à ce qu'il atteigne la température désirée.	
	* La porte est ouverte trop fréquemment ou reste ouverte trop longtemps.	* Le congélateur fonctionne davantage si de l'air chaud y pénètre. Ouvrez la porte moins souvent.	
	* La porte du congélateur est restée légèrement ouverte.	* Reportez-vous à la section « Problèmes de porte ».	
	* La commande de température est réglée à un niveau trop froid.	* Ajustez le bouton de commande à un réglage plus chaud. Laissez plusieurs heures à la température pour qu'elle se stabilise.	
	* Les joints du congélateur sont sales, usés, craquelés ou mal ajustés.	* Nettoyez ou changez le joint. Un joint d'étanchéité de couvercle qui fuit fait fonctionner le congélateur plus longtemps afin de maintenir la température désirée.	
La température à l'intérieur du congélateur est trop froide.	* La commande de température est réglée à un niveau trop froid.	* Ajustez le bouton de commande à un réglage plus chaud. Laissez plusieurs heures à la température pour qu'elle se stabilise.	
La température à l'intérieur du congélateur est trop chaude.	* La commande de température est réglée à un niveau trop chaud.	* Ajustez le bouton de commande à un réglage plus froid. Laissez plusieurs heures à la température pour qu'elle se stabilise.	
	* La porte est ouverte trop fréquemment ou reste ouverte trop longtemps.	* Le congélateur fonctionne davantage si de l'air chaud y pénètre. Ouvrez la porte moins souvent.	
	* La porte du congélateur est restée légèrement ouverte.	* Reportez-vous à la section « Problèmes de porte ».	
	* Vous avez ajouté une grande quantité d'aliments chauds récemment.	* Laissez le temps au congélateur d'atteindre la température sélectionnée.	
	* Le congélateur a été récemment débranché pendant un certain temps.	* Le congélateur nécessite 24 heures pour se refroidir complètement.	
Les parois externes du congélateur sont chaudes.	* La température des parois externes du congélateur peut excéder la température ambiante de 15 °C (30 °F).	* C'est une situation normale lorsque le compresseur fonctionne pour transférer la chaleur présente à l'intérieur de la caisse du congélateur.	
<b>SONS ET BRUITS</b>			
Le congélateur émet des sons plus puissants lorsqu'il fonctionne.	* Les congélateurs modernes offrent plus d'espace de rangement et des températures plus stables. Ils nécessitent des compresseurs robustes.	* Ceci est normal. Si la pièce est silencieuse, vous pouvez entendre le compresseur fonctionner alors qu'il refroidit l'intérieur.	
Lorsque le compresseur fonctionne, les bruits sont plus forts.	* Le congélateur fonctionne à des pressions plus hautes au début du cycle de marche.	* Ceci est normal. Les bruits s'atténueront ou disparaîtront alors que le congélateur continue de fonctionner.	
Un bruit sec ou un craquement se produit lorsque le compresseur se met en marche.	* Les pièces de métal se dilatent et se contractent, comme le font les tuyaux chauds.	* Ceci est normal. Les bruits s'atténueront ou disparaîtront alors que le congélateur continue de fonctionner.	

<b>PROBLÈME</b>	<b>CAUSE</b>	<b>SOLUTION</b>
<b>SONS ET BRUITS (suite)</b>		
Il y a un bruit d'ébullition ou un gargouillement semblable à de l'eau qui bout.	* Le réfrigérant (qui sert à refroidir le congélateur) circule dans le système.	* Ceci est normal.
Il y a un son de crécelle ou de vibration.	* Le congélateur n'est pas de niveau. Il oscille sur le plancher lorsque vous le bougez légèrement.	* Mettez à niveau le congélateur en plaçant des cales en bois ou en métal sous une partie du congélateur.
	* Le plancher n'est pas solide ou n'est pas de niveau.	* Assurez-vous que le plancher peut supporter le poids du congélateur de façon adéquate. Mettez à niveau le congélateur en plaçant des cales en bois ou en métal sous une partie du congélateur.
	* Le congélateur touche le mur.	* Mettez à nouveau le congélateur de niveau ou déplacez-le légèrement.
<b>IL Y A DE L'EAU / DE L'HUMIDITÉ / DU GIVRE À L'INTÉRIEUR DU CONGÉLATEUR</b>		
De l'humidité apparaît sur les parois à l'intérieur du congélateur.	* La température à l'extérieur est chaude et humide, ce qui augmente l'accumulation de givre à l'intérieur de la caisse.	* Ceci est normal.
	* La porte est légèrement ouverte.	* Reportez-vous à la section « Problèmes de porte ».
	* La porte reste ouverte trop longtemps ou est ouverte trop fréquemment.	* Ouvrez la porte moins souvent.
<b>LE CONGÉLATEUR DÉGAGE UNE ODEUR</b>		
Le congélateur dégage des odeurs.	* L'intérieur doit être nettoyé.	* Nettoyez l'intérieur à l'aide d'une éponge, de l'eau chaude et de bicarbonate de soude.
	* Il y a des aliments qui dégagent une forte odeur dans le congélateur.	* Couvrez bien les aliments.
<b>PROBLÈMES DE PORTE</b>		
La porte ne se ferme pas.	* Le congélateur n'est pas de niveau. Il oscille sur le plancher lorsque vous le bougez légèrement.	* Mettez à niveau le congélateur en plaçant des cales en bois ou en métal sous une partie du congélateur.
	* Le plancher n'est pas solide ou n'est pas de niveau.	* Assurez-vous que le plancher peut supporter le poids du congélateur de façon adéquate. Mettez à niveau le congélateur en plaçant des cales en bois ou en métal sous une partie du congélateur.
<b>PROBLÈMES D'ÉCLAIRAGE</b>		
L'ampoule n'est pas allumée.	* La lampe ou l'ampoule fluorescente a grillé.	* Voyez « Lampe fluorescente » ou « Éclairage intérieur » dans la section « Caractéristiques ».
	* L'alimentation électrique de l'appareil est coupée.	* Reportez-vous à la section « Le congélateur ne fonctionne pas ».

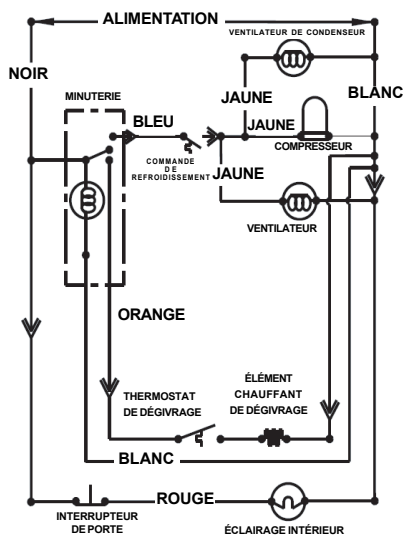
# AVIS IMPORTANT

L'information fournie ici est uniquement destinée à aider le technicien qualifié. Les personnes non qualifiées ne doivent pas essayer d'effectuer des réparations en raison des risques de chocs électriques. Débranchez le cordon électrique avant de réparer l'appareil.

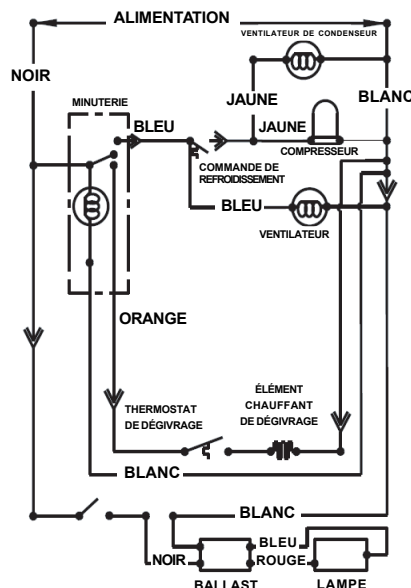
## CIRCUIT ÉLECTRIQUE



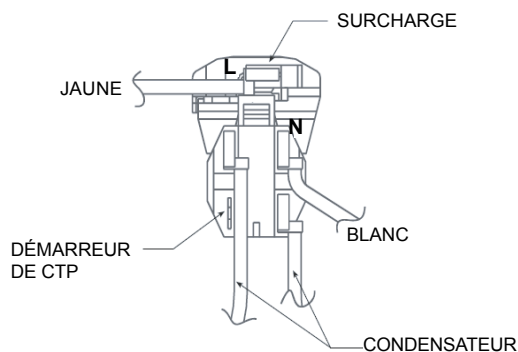
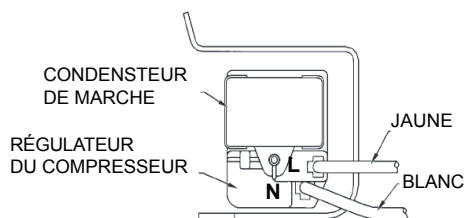
**RÉFRIGÉRATEUR À PORTE EN ACIER INOXYDABLE**



**CONGÉLATEUR À PORTE EN ACIER INOXYDABLE**



**RÉFRIGÉRATEUR À PORTE EN VERRE**



## IMPORTANT

**SI DES FILS DE MISE À LA TERRE VERTS SONT RETIRÉS PENDANT LA RÉPARATION, ILS DOIVENT ÊTRE REPLACÉS ET BIEN FIXÉS À LEUR EMPLACEMENT D'ORIGINE.**



# Informations sur la garantie des électroménagers commerciaux

Votre appareil est couvert par **une garantie limitée d'un an**. Pendant un an à partir de la date d'achat originale, Electrolux assumera les coûts des réparations ou du remplacement des pièces de cet appareil qui présente un défaut de fabrication ou de matériau, si cet appareil est installé, utilisé et entretenu selon les instructions fournies avec celui-ci.

## Exclusions

Cette garantie ne couvre pas ce qui suit :

1. Tous les coûts de main-d'œuvre pour les appareils de lessive commerciaux.
2. Les monnayeurs pour les appareils de lessive commerciaux.
3. Les appareils dont les numéros de série originaux ont été enlevés, modifiés ou qui ne sont pas facilement déterminables.
4. L'usure normale et la détérioration graduelle.
5. Les appareils qui ont changé de propriétaire ou qui se trouvent à l'extérieur des États-Unis ou du Canada.
6. La rouille à l'intérieur ou à l'extérieur de l'appareil.
7. Les appareils vendus « tels quels ».
8. Les aliments perdus en raison de pannes du réfrigérateur ou du congélateur.
9. Les dommages survenus à tout moment durant l'expédition.
10. Les appels de service qui ne concernent pas un mal fonctionnement, un défaut de fabrication ou un vice de matériau ou pour les appareils qui ne sont pas utilisés conformément aux instructions fournies.
11. Les appels de service pour vérifier l'installation de votre appareil ou pour obtenir des instructions concernant l'utilisation de votre appareil.
12. Les frais encourus afin de rendre l'appareil accessible pour une réparation, en enlevant, par exemple, les garnitures, les armoires, les étagères, etc., qui ne faisaient pas partie de l'appareil lorsqu'il a quitté l'usine.
13. Les appels de service concernant le remplacement des ampoules, des filtres à air, des filtres à eau et d'autres matériaux jetables ou des boutons, des poignées ou d'autres pièces décoratives.
14. Les frais supplémentaires comprenant, sans en exclure d'autres, les appels de service après les heures normales de bureau, en fin de semaine ou un jour férié, les droits de péage, les frais de convoyage ou les frais de déplacement pour les appels de service dans des endroits isolés, notamment l'État de l'Alaska.
15. Les dommages causés au fini de l'appareil et/ou à son emplacement pendant l'installation comprenant, sans en exclure d'autres, les planchers, les armoires, les murs, etc.
16. Les dommages causés par : des réparations faites par des techniciens non autorisés; l'utilisation de pièces autres que les pièces Electrolux d'origine ou de pièces qui n'ont pas été obtenues par l'entremise d'un réparateur autorisé; ou les causes étrangères comme l'abus, l'alimentation électrique inadéquate, les accidents, les feux ou les cas de force majeure.
17. Les coûts de main-d'œuvre après une période de quatre-vingt-dix (90) jours suivant la date d'achat originale pour la réparation ou le remplacement d'un appareil utilisé par un concessionnaire ou un commerçant dans une remorque, un autre véhicule motorisé ou à divers endroits.

## AVIS DE NON-RESPONSABILITÉ SUR LES GARANTIES IMPLICITES; LIMITATIONS DES RECOURS

L'UNIQUE RECOURS DU CLIENT EN VERTU DE CETTE GARANTIE LIMITÉE EST LA RÉPARATION OU LE REMPLACEMENT DU PRODUIT COMME DÉCRIT PRÉCÉDEMMENT. LES DEMANDES BASÉES SUR DES GARANTIES IMPLICITES, Y COMPRIS LES GARANTIES IMPLICITES DE QUALITÉ MARCHANDE ET D'ADAPTATION À UN USAGE PARTICULIER SONT LIMITÉES À AU MOINS UN AN OU À LA PÉRIODE LA PLUS COURTE PERMISE PAR LA LOI. ELECTROLUX NE SERA PAS TENUE RESPONSABLE DES DOMMAGES DIRECTS OU INDIRECTS NI DES DOMMAGES MATÉRIELS ET DES DÉPENSES IMPRÉVUES RÉSULTANT D'UNE VIOLATION DE CETTE GARANTIE ÉCRITE OU DE TOUTE AUTRE GARANTIE IMPLICITE. CERTAINS ÉTATS ET CERTAINES PROVINCES NE PERMETTENT PAS DE RESTRICTION OU D'EXEMPTION SUR LES DOMMAGES DIRECTS OU INDIRECTS OU DE RESTRICTION SUR LES GARANTIES IMPLICITES. DANS CE CAS, CES RESTRICTIONS OU EXEMPTIONS POURRAIENT NE PAS ÊTRE APPLICABLES. CETTE GARANTIE ÉCRITE VOUS PROCURE DES DROITS LÉGAUX SPÉCIFIQUES. IL SE PEUT QUE VOUS AYEZ D'AUTRES DROITS QUI VARIENT SELON L'ÉTAT OU LA PROVINCE.

**Si vous avez besoin d'une réparation** Conservez votre reçu, votre bon de livraison ou une autre preuve valide de paiement pour établir la période de la garantie dans le cas où vous devriez faire appel aux services d'un technicien autorisé. Si une réparation doit être effectuée, veuillez obtenir et conserver tous les reçus. Le service auquel vous avez recours en vertu de cette garantie doit être obtenu en communiquant avec Electrolux à l'adresse ou aux numéros de téléphone indiqués ci-dessous.

Cette garantie n'est valide qu'aux États-Unis et au Canada. Aux États-Unis, votre appareil est garanti par **Electrolux Major Appliances North America, une division de Electrolux Home Products, Inc.** Au Canada, votre appareil est garanti par **Electrolux Canada Corp.** Personne n'est autorisé à modifier ou à ajouter aux obligations contenues dans cette garantie. Les obligations de cette garantie concernant la réparation et les pièces doivent être remplies par Electrolux ou par une compagnie de réparation autorisée. Les caractéristiques et spécifications décrites ou illustrées peuvent être modifiées sans préavis.

## ÉTATS-UNIS

1.866.738.1640

Electrolux Major Appliances

North America

Case postale 212378

Augusta, GA 30907, ÉTATS-UNIS



## Canada

1.866.738.1640

Electrolux Canada Corp.

5855 Terry Fox Way

Mississauga, Ontario, Canada

L5V 3E4

# FRIGIDAIRE

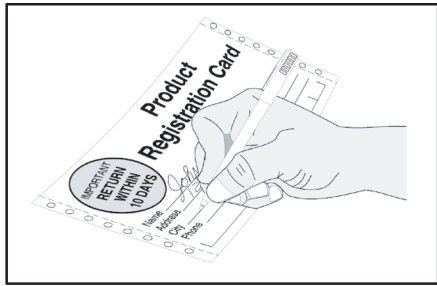
상 용 제 품

## 상용 냉동고/냉장고 유리문 냉장고

### 목차

제품 등록 .....	2
중요 안전 지침 .....	2
전기 정보 .....	3
설치 및 설정 .....	3-4
제품 가동 .....	5
특징 .....	5
일상 유지 관리 .....	6
전력 소비 측정 .....	7
문제 해결 가이드 .....	8-9
배선도 .....	10
보증 .....	11

## 제품 등록



이 지침서는 취급자가 본 제품을 정확히 설치, 작동 및 서비스하는데 필요한 정보를 담고 있습니다. 설치, 조정 또는 유지 관리를 수행하기 전에 다음 사항을 확인합니다.

- 이 지침서를 읽고 완전히 숙지했습니까?
- 필요한 공구를 모두 갖추었고 이들 공구의 사용법을 정확히 알고 있습니까?
- 모든 설치 및 사용 제한 요건을 충족하고 제품의 기능 및 작동법을 잘 알고 있습니까?
- 명시된 대로 모든 지침을 따르고 있습니까?

모든 결함, 측정, 권장 및 절차가 중요합니다. 대용품이나 유사품의 사용은 피하십시오. 자격 없는 사람이 부적절하게 취급, 유지 관리, 설치, 조정 또는 서비스하면 보증 서비스를 받지 못하게 될 수 있으며 제품의 손상을 초래하거나 취급자 또는 주변 사람이 다칠 수 있습니다.

### 모델 번호 및 일련 번호 기록

아래 공란에 이 제품의 모델 번호와 일련 번호를 기입하십시오 (형식판은 냉동실 안쪽에 있습니다).

모델 번호 \_\_\_\_\_

일련 번호 \_\_\_\_\_

설치 날짜 \_\_\_\_\_

송장 날짜 \_\_\_\_\_

가동 날짜 \_\_\_\_\_

서비스 센터 전화 번호 \_\_\_\_\_

## 제품 등록

회신용 **PRODUCT REGISTRATION CARD**(위 그림)를 모두 기입한 후 서명하고 회신 주소로 보내주십시오.

## 중요 안전 지침

이 제품을 사용하기 전에 모든 지침을 읽으십시오.

### ⚠ 경고 안전을 위해

이 제품 근처 또는 다른 가전 제품 근처에 가솔린이나 기타 인화성 증기 및 액체를 보관하거나 사용하지 마십시오. 인화 가능성 및 기타 경고에 대한 제품 라벨을 읽으십시오.

### ⚠ 경고 어린이 안전

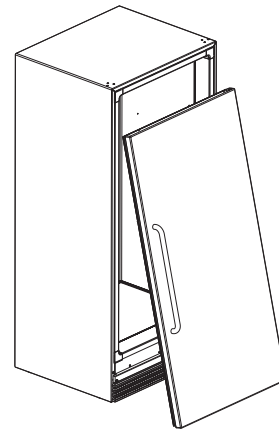
- 제품의 포장을 뜯은 후 즉시 판지 상자, 비닐 및 외장 덮개를 치웁니다. 어린이들이 이것으로 장난치게 해선 안됩니다. 깔개, 침대보, 플라스틱 판 또는 스트레치 랩으로 덮인 판지 상자는 공기가 통하지 않아 금방 질식할 수 있습니다.
- 어린이가 제품에 들어가 숨거나 장난치면 질식할 수 있습니다. 사용하지 않을 때는 제품의 문/뚜껑을 분리해 둡니다. 이는 제품을 폐기할 때도 마찬가지입니다. 이러한 안전 조치를 반드시 취하도록 법에 규정되어 있습니다.

### 올바른 냉장고 폐기법

#### ⚠ 경고 어린이 갇힘 위험

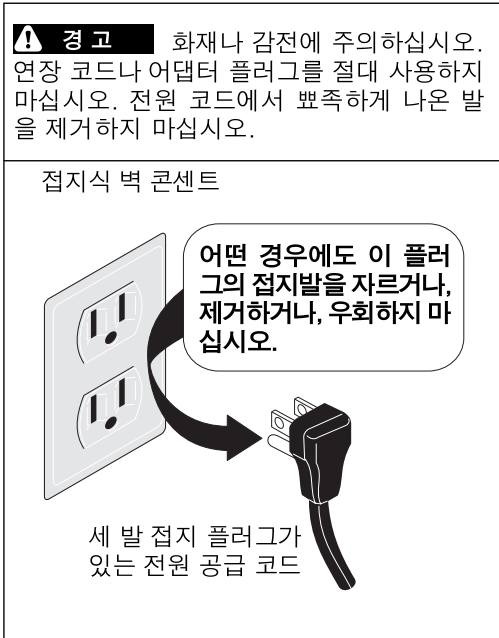
어린이 갇힘 및 질식 사고가 여전히 근절되지 않고 있습니다. 못 쓰게 된 냉장고 또는 냉동고가 수거되기 전에 "단 며칠" 내다놓을 때조차도 위험할 수 있습니다. 냉장고 또는 냉동고를 폐기할 때 아래 지침에 따라 처리하여 사고를 미연에 방지하도록 합니다.

- 문을 분리하십시오.
- 어린이가 내부에 쉽게 들어가지 못하도록 선반은 제자리에 두십시오.
- 기술자로 하여금 냉매를 처리토록 하십시오.



## ⚠ 경고 전기 정보

이 제품 설계상의 안전 메커니즘이 제대로 작동하도록 하려면 다음 지침을 반드시 준수해야 합니다.



- 정확한 전기 규격은 형식판에 있습니다. 제품의 전원 코드에는 감전을 방지하도록 설계된 세 발 접지 플러그가 있습니다. 이 플러그는 15 amp 시간 지연 퓨즈 또는 회로 차단기로 보호되고 제대로 접지된 세 발 콘센트에 직접 꽂아야 합니다. 콘센트는 제품이 사용되는 국가의 법규에 따라 설치되어야 합니다. 자세한 내용은 전기 기술자에게 문의하십시오. GFCI(누전 차단기)가 있는 콘센트는 권장되지 않습니다. **연장 코드나 어댑터 플러그를 절대 사용하지 마십시오.**
- 전압차가 10% 이상이면 제품의 성능에 영향을 줄 수 있습니다. 불충분한 전원에서 제품을 사용하면 모터가 손상될 수 있습니다. 이것이 원인이 되어 발생한 하자는 보증 서비스를 받지 못합니다. 전압이 높거나 낮은 것으로 의심되면 전력 공급 회사에 확인 테스트를 요청하십시오.
- 실수로 제품이 꺼지는 것을 방지하려면 벽 스위치나 비상 정지 스위치에 의해 제어되는 콘센트에 제품 플러그를 꽂지 마십시오.
- 전원 코드는 절대로 끼이거나, 매듭지거나, 구부러져선 안됩니다.

## ⚠ 경고 기타 주의 사항

- 전원 코드를 당기는 식으로 제품 플러그를 뽑지 마십시오. 항상 플러그를 손으로 꼭 잡고 콘센트에서 똑바로 당겨 빼십시오.
- 감전을 방지하려면 청소하기 전에 제품 플러그를 뽑으십시오.

**참고:** 스위치를 "OFF"로 돌리면 컴프레서는 꺼지지만 다른 전기 구성품으로 가는 전원은 차단되지 않습니다.

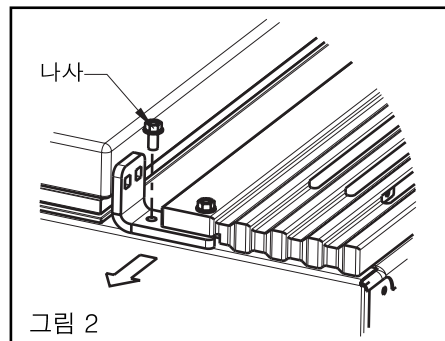
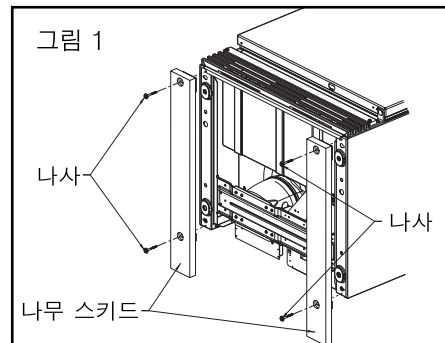
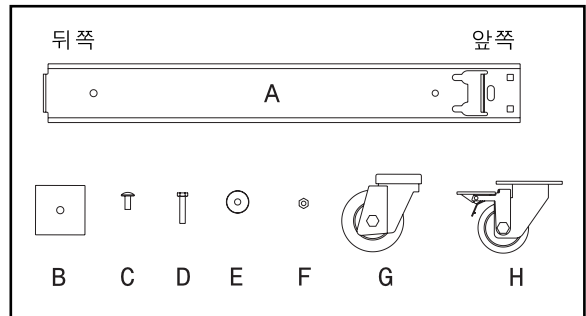
## 설치 및 설정

### 손상 여부 확인

본체 하부와 포장에서 운반 중 손상된 부위가 없는지 검사합니다. 포장을 풀었을 때 숨겨진 손상 부위가 있다면 즉시 배송업체에 전화하여 검사를 요청하십시오. 검사가 끝날 때까지 모든 포장재를 그대로 두십시오.

### 포장 풀기 및 설정

- 판지 상자와 제품 내부의 고정되지 않은 모든 부품을 꺼내십시오.
- 두 사람이 함께 제품을 뒤쪽으로 기울이십시오.
- 바닥에서 2개의 나무 스키드와 4개의 나사를 푸십시오(그림 1 참조).
- 소켓 렌치로 바닥쪽 문 경첩과 나사를 푸십시오(그림 2 참조).
- 다리 바퀴가 있는 포장을 꺼내십시오. 이 포장에는 다음 항목이 있습니다.
  - 다리 바퀴 레일 지지대(A) 2개
  - 스페이서 플레이트(B) 2개
  - 캐리지 볼트(C) 8개
  - 볼트(D) 4개
  - 와셔(E) 4개
  - 고정 너트(F) 8개
  - 회전형 다리 바퀴(G) 2개
  - 브레이크 있는 고정형 다리 바퀴(H) 2개



### 앞쪽 고정형 다리 바퀴 설치

- 고정형 다리 바퀴의 뒤쪽(브레이크 없는 쪽)에 2개의 캐리지 볼트를 끼우고 고정 너트를 각각 몇 바퀴씩 돌려 캐리지 볼트를 느슨하게 고정합니다. 아직 볼트를 조이지 마십시오.
- 다리 바퀴를 제자리에 고정하고 캐리지 볼트 헤드를 다리 바퀴 레일의 앞쪽 근처에 있는 슬롯에 끼우고 다리 바퀴를 뒤로 밀니다.
- 다리 바퀴 레일의 윗면에 앞쪽 캐리지 볼트 2개를 끼운 다음 다리 바퀴의 앞쪽 구멍에 끼웁니다. 각각에 고정 너트를 끼웁니다.
- 1/2인치 엔드 렌치 또는 소켓 렌치를 사용하여 모든 고정 너트를 단단히 조입니다(그림 3 참조).
- 다른 고정형 다리 바퀴에서도 이와 같은 절차를 반복합니다.

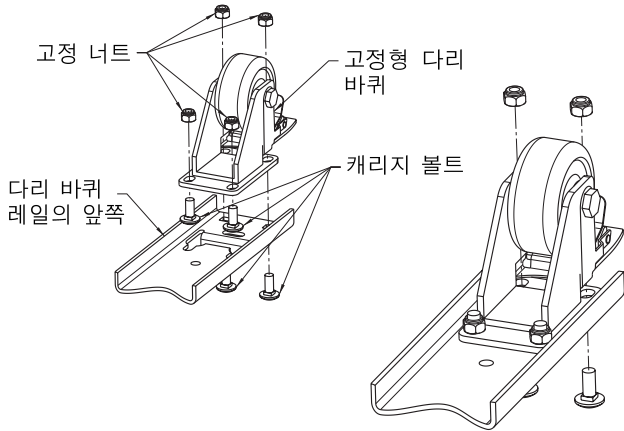


그림 3

### 뒤쪽 회전형 다리 바퀴 설치

- 긴 볼트에 와셔를 끼운 다음 회전형 다리 바퀴의 구멍에 볼트를 넣습니다.
- 다음으로 금속 스페이서의 구멍에 다리 바퀴 볼트를 끼운 후 다리 바퀴 레일의 뒤쪽 구멍에 끼웁니다(그림 4 참조).

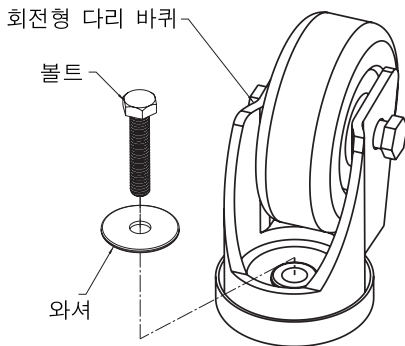


그림 4

### 다리 바퀴 레일 설치

- 회전형 다리 바퀴를 제자리에 고정한 상태에서 제품의 오른쪽 바닥면에 다리 바퀴 레일 어셈블리를 정렬합니다.
- 다리 바퀴 볼트를 베이스 레일 위의 최하단 풋 패드의 구멍에 끼웁니다.
- 1/2인치 엔드 렌치 또는 소켓 렌치를 사용하여 볼트를 단단히 조입니다(그림 5 참조).
- 다른 회전형 다리 바퀴와 다리 바퀴 레일 어셈블리가 있는 왼쪽에서 이와 같은 절차를 반복합니다(그림 6 참조).

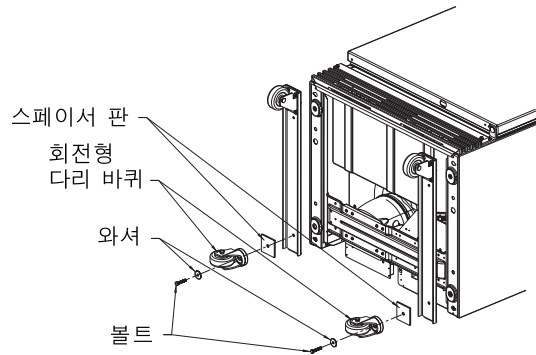


그림 5

- 긴 볼트에 와셔를 끼운 다음 다리 바퀴 레일의 앞쪽에서 고정형 다리 바퀴 뒤에 있는 구멍으로 볼트를 밀어넣습니다.
- 볼트를 오른쪽 베이스 레일의 앞쪽 끝에 있는 구멍에 정렬합니다. 볼트를 구멍에 끼우고 1/2인치 엔드 렌치 또는 소켓 렌치를 사용하여 단단히 조입니다(그림 6 참조).
- 왼쪽 다리 바퀴 레일 어셈블리에서도 이와 같은 절차를 반복합니다. 설치가 끝나면 두 사람이 함께 제품을 똑바로 세우십시오.

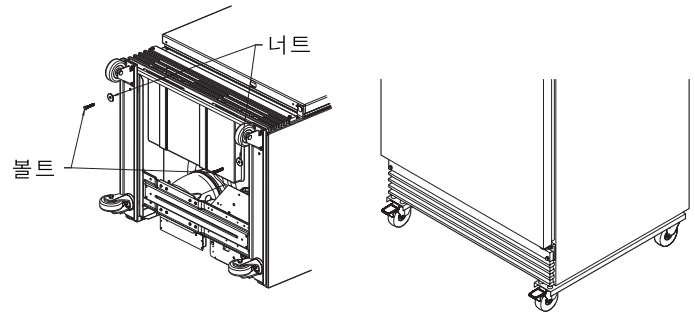


그림 6

### 제품 배치

설치 편의, 적절한 공기 환기 및 전기 연결을 위해 모든 면과 본체의 뒷면에 1 인치 간격을 두십시오. **냉장고/냉동고의 앞쪽 하단에 있는 앞쪽 그릴을 막지 마십시오.** 적절한 공기 환기는 냉장고/냉동고의 원활한 작동에 필수적입니다. 접지형 전기 콘센트 부근을 설치 장소로 선택하십시오. 원활한 작동을 위해서는 주변 온도가 110°F(43°C)를 초과하지 않는 곳에 설치해야 합니다. 주변 온도가 32°F(0°C) 미만인 곳에서는 제품을 작동하지 마십시오. 추가적인 컴프레서 히터의 사용은 권장하지 않습니다.

## 절연

이 본체의 절연 공간은 최고의 효율을 유지하도록 밀봉되어 있습니다. 드릴로 본체에 구멍을 내면 밀봉 상태가 해제되고 절연 공간에 있는 전기 배선이 손상될 수 있습니다.

드릴 작업으로 인해 전기 배선이 손상되거나 절연 공간이 찢게 되면 보증 서비스를 받을 수 없습니다.

## 제품 가동

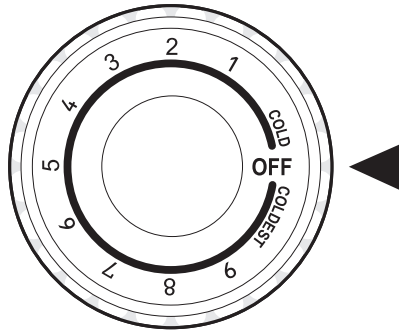
제품을 제 위치에 설치하고 전원과 접지를 연결한 후에는 다음 항목을 점검하고 완료해야 합니다.

### 안정화 기간

안전한 식품 보관을 위해 식품을 넣기 전에 제품을 24시간 동안 완전히 안정화시킵니다. 그런 다음 첫 몇 시간 동안 계속 제품을 가동합니다. 작동 후 첫 24시간이 경과할 때까지는 제품에 식품을 넣지 마십시오.

### 온도 조절기 설정

본 제품은 공장에서 온도 조절기 세트를 작동 범위의 중간에 맞춘 상태로 선적됩니다. 제품을 최소 8시간 이상 가동해야 온도를 높이거나 낮출 수 있습니다. 온도 조절기를 재조정하기 전에 온도가 안정화되도록 최소 8시간 이상 기다리십시오.



### 서리 제거 설정

본 제품은 매 12시간마다 자동으로 서리를 제거하도록 설계되어 있습니다. 서리 제거 시간을 설정하려면 원하는 서리 제거 시간이 될 때까지 기다리십시오. 타이머 손잡이의 새김눈을 브라켓의 줄에 정렬한 상태에서(그림 A) 서리 제거 타이머 손잡이를 시계 방향으로 천천히 돌립니다. 타이머가 여러 번 딸깍 거린 다음 서리 제거 주기가 시작되는 지점에서 한 번 크게 딸깍 거립니다. 타이머 손잡이가 서리 제거 주기를 지나 전진한 후 주기의 끝에서 크게 딸깍 거립니다(그림 B). 그러면 첫 서리 제거 주기 이후에 매 12시간마다 자동으로 서리가 제거됩니다.

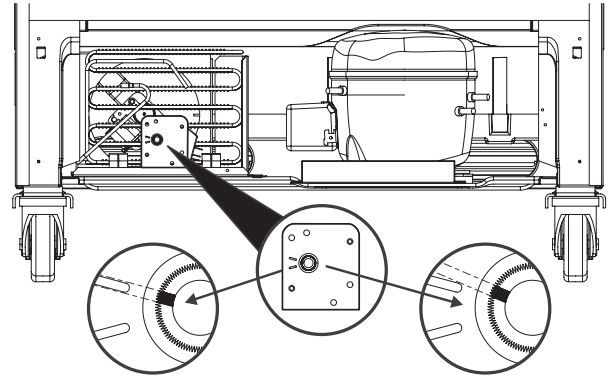


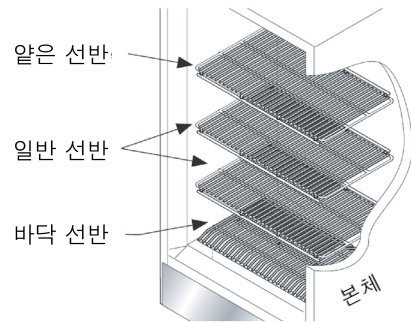
그림 A  
서리 제거 주기를 시작하기 위해 시계 방향으로 돌리기 전의 손잡이 위치(첫번째 클릭음)

그림 B  
서리 제거 주기가 끝났을 때의 손잡이 위치(두번째 클릭음)

## 특징

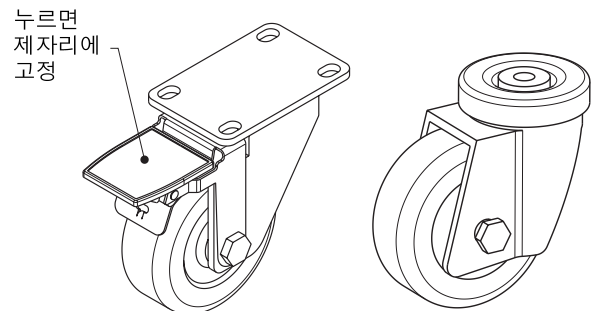
### NSF 및 FDA 승인 조절식 선반

본 제품에는 NSF 및 FDA 승인을 받은 고내구성 에폭시 파우더 코팅 조절식 선반이 제공됩니다. 전면과 후면에 굽은 배선이 있는 선반은 본체의 바닥을 지냅니다. 다른 선반들은 각각의 안쪽에 있는 선반 지지대 띠줄에 클립으로 끼워지는 조절식 스테인리스 스틸 선반 지지대에 놓입니다. 맨 위에 얇은 선반을 놓도록 합니다.



### 앞쪽 고정형 및 뒤쪽 회전형 다리 바퀴

본 제품에는 브레이크가 있는 앞쪽 고정형 다리 바퀴 2개와 뒤쪽 회전형 다리 바퀴 2개가 달려 있습니다. 다리 바퀴가 달려 있어 제품을 쉽게 이동할 수 있으며 원하는 장소에 고정시켜 둘 수도 있습니다.

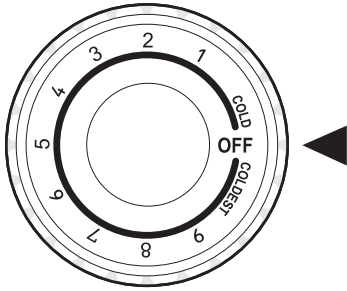


고정형 다리 바퀴

회전형 다리 바퀴

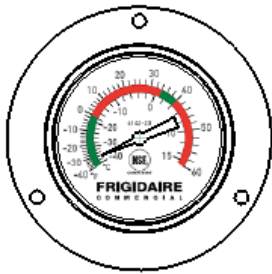
## 온도 조절기

냉각 조절기는 제품 안쪽의 증발기 하우징의 왼쪽 상단에 있습니다. "5"가 중간(권장) 설정이고 "9"가 최저 온도 설정입니다.



## NSF 공인 온도 게이지

본 제품에는 본체 내부 온도를 표시하는 NSF 공인 온도 게이지가 장착되어 있습니다. 온도 게이지는 제품 안쪽의 증발기 하우징의 오른쪽 상단에 있습니다.



## 형광 램프(유리문 장착 모델)

유리문 냉장고에는 17 와트 형광 램프가 장착되어 있습니다. 밸러스트 램프가 일치하지 않으면 조명이 불량하거나 켜지지 않을 수도 있습니다.

램프가 고장 날 경우 동일 규격 및 와트의 램프로 교체하십시오. 또한 계속 깜빡이는 램프가 있다면 교체하여 밸러스트 손상을 미연에 방지하십시오.

사용하지 않을 때는 조명을 꺼 에너지를 절약하십시오. 그러나 너무 자주 켜다켰다 하면 램프 수명이 줄어듭니다.

Frigidaire 상용 제품 서비스 센터(전화번호 1-866-738-1640)에서 주문할 수 있는 NSF 공인 램프만 사용하십시오.

## 실내등(스테인리스 스틸문 장착 모델)

스테인리스 스틸문 장착 모델에는 문이 열리면 자동으로 켜지는 40 와트 전구가 있습니다. 전구가 불량하면 동일 규격 및 와트의 전구로 교체하십시오. 이 전구는 비산 방지 코팅 처리된 특수 전구입니다. Frigidaire 상용 제품 서비스 센터(전화번호 1-866-738-1640)에서 주문할 수 있는 동일 규격 및 와트의 NSF 공인 전구만 사용하십시오.

## 기타 특징

- NSF 공인 상단 장착형 증발기
- 2 1/2 인치 두께의 우레탄 폼 본체 절연
- 토오션 스프링 도어 클로저(유리문 장착 모델)
- 스테인리스 스틸 증발기 하우징
- 탈착식 스테인리스 스틸 배출 커버
- 내구성이 강한 전면 그릴
- 내구성이 강한 상용 등급의 전기 하네스
- 내구성이 강한 탈착식 스테인리스 스틸 선반 지지대

## 일상 유지 관리

### 내부 청소

온도 조절기를 "OFF"로 돌리고 전기 코드를 뽑으십시오. 따뜻한 물과 베이킹 소다 혼합액으로 보관실 내부 표면을 씻으십시오(물 1/4 갤런당 베이킹 소다 1 큰스푼). 깨끗하고 따뜻한 물로 철저히 씻어낸 다음 건조하십시오. 도어 가스켓을 청소할 때도 이렇게 하면 됩니다. Frigidaire 상용 제품 서비스 센터(전화번호 1-866-738-1640)에서 주문할 수 있는 (Magic Clean) 스테인리스 스틸 클리너(부품 번호 218490900) 또는 기타 스테인리스 스틸 클리너로 스테인리스 스틸 커버판을 닦으십시오.

### 외부 청소

중성 세제와 물 혼합액에 적신 천으로 본체 외부를 가끔씩 청소하십시오. 그런 다음 부드러운 헝겊으로 닦아 건조하십시오. (Magic Clean) 스테인리스 스틸 클리너 또는 기타 스테인리스 스틸 클리너를 사용하여 스테인리스 스틸문과 토우 그릴을 닦으십시오. 표면에 붙은 라벨을 떼 때 제품 표면을 긁을 수 있는 면도칼이나 기타 날카로운 도구를 사용하지 마십시오. 테이프를 떼고 난 자리에 남은 자국은 따뜻한 물과 중성 세제 혼합액으로 제거하거나 뜯어낸 테이프로 찍어 자국이 남지 않게 할 수 있습니다. 형식판은 제거하지 마십시오.

### 응축수 용기

일부 모델에는 토우 그릴 아래에 있는 고정된 자리에 응축수 용기가 있습니다. 이 용기를 본체 아래에서 분리해선 안됩니다. 이 용기를 분리하면 응축수가 바닥에 떨어집니다.

### 전원 공급이 중단될 때

몇 시간 동안 냉동고에 전원이 공급되지 않는다면 불필요하게 냉동고 뚜껑을 열지 마십시오.

전원 공급이 중단되었다면 매 24시간마다 냉동고에 드라이 아이스를 7 내지 8 파운드 넣으십시오. 가까운 드라이 아이스 공급업체를 알아보려면 직종별 전화번호부에서 "드라이 아이스", "낙농" 또는 "아이스크림 제조업체"를 찾아보십시오. 드라이 아이스를 취급할 때는 항상 장갑을 착용하고 주의를 기울이십시오.

## 전력 소비 측정

본 제품은 헤비 폼 절연을 통해 에너지 효율을 높이도록 설계되었습니다. 그러나 작동 환경에서 제품을 유지 관리하기 위해 사용자가 할 수 있는 것들이 있습니다.

- 안전한 식품 보관 온도를 유지하기 위해 필요한 것보다 낮게 제품을 작동하지 마십시오.
- 제품이 직사광선이나 공기 덕트 등에 직접 노출되지 않도록 하십시오.
- 사용할 때를 제외하고는 문을 닫아 두십시오. 가끔 문을 점검하여 스스로 닫히는지와 가스켓의 상태가 양호한지 확인하십시오.
- 정상적인 냉기 흐름을 방해할 수 있으므로 본체 안에 식품을 과도하게 넣지 마십시오.
- 냉매 충전 상태가 양호한지 전문 서비스 업체로부터 정기적으로 점검을 받으십시오.
- 본 제품은 뜨거운 곳보다는 찬 곳에서 더 효율성이 높습니다. 최적의 효율을 위해 80°F(27°C) 및 65% RH(상대 습도) 미만의 환경에서 작동하십시오.

## 미사용 기간의 취급 및 이전 요령

3주 미만 미사용할 때는 냉동고를 작동 상태로 두십시오.

### 장기 미사용

여러 달 동안 냉동고를 사용하지 않을 경우:

- 모든 식품을 꺼내고 전원 코드를 빼십시오.
- 내부를 철저히 청소하고 건조하십시오.
- 냉동고 문을 약간 열린 상태(필요하면 이 상태로 더 열지 못하게 고정)로 두어 악취나 곰팡이가 생기지 않게 하십시오.

### 이전

냉동고를 이전할 때는 다음 지침을 준수하여 제품 손상을 방지하십시오.

- 벽 콘센트에서 전원 코드 플러그를 뽑으십시오.
- 식품을 꺼낸 후 서리를 제거하고 냉동고를 청소하십시오.
- 베이스 패널, 바구니 및 선반 같이 고정되지 않은 부품은 테이프로 고정하여 손상을 방지하십시오.
- 이사 차량에서 냉장고를 바로 세우고 고정하여 움직임을 방지하십시오. 또한 담요 등으로 냉동고를 덮어 보호하십시오.



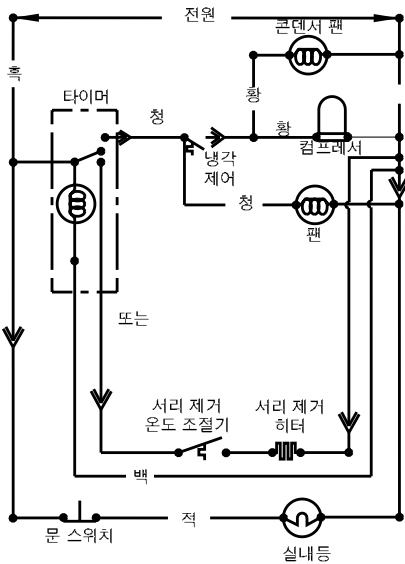
<b>문제 해결 가이드</b>		
서비스 센터로 전화하기 전에 아래 목록을 먼저 확인하십시오. 그러면 시간과 비용을 절감할 수도 있습니다. 이 목록에서는 본 제품의 물리적 결함이나 제품 제작상의 실수와 관련되지 않은 일반적 현상에 대해 설명합니다.		
<b>문제</b>	<b>원인</b>	<b>해결 방법</b>
<b>냉동고 작동</b>		
냉동고가 작동하지 않음	* 냉동고의 플러그를 접지 하자 차단 기능이 있는 회로에 꽂았습니다.	* 다른 회로를 사용하십시오. 어떤 콘센트를 사용해야 할지 잘 모르면 자격 있는 기술자에게 도움을 요청하십시오.
	* 온도 조절기가 "OFF"에 있습니다.	* 온도 조절기 설정을 확인하십시오.
	* 냉동고의 플러그를 꽂지 않았거나 느슨하게 꽂혀 있을 수 있습니다.	* 플러그를 콘센트에 꼭 끼우십시오.
	* 하우스 퓨즈가 끊어졌거나 회로 차단기가 트립되었습니다.	* 퓨즈를 점검하거나 15 amp 시간 지연 퓨즈로 교체하십시오. 회로 차단기를 리셋하십시오.
	* 정전	* 건물 조명을 확인하십시오. 현지 전기 공급 회사에 문의하십시오.
냉동고가 너무 많이 또는 너무 길게 작동함	* 실내 또는 실외 온도가 너무 높습니다.	* 이러한 조건에서 냉동고가 계속 작동하는 것은 정상입니다.
	* 최근에 냉동고의 전원을 한 동안 분리했습니다.	* 냉장고를 완전히 안정화하는 데는 24시간이 소요됩니다.
	* 최근에 많은 양의 따뜻하거나 뜨거운 식품을 보관했습니다.	* 따뜻한 식품을 냉동고에 넣으면 적정 온도에 도달할 때까지 많이 냉동고가 작동하게 됩니다.
	* 문을 자주 열었거나 너무 오래 열어 두었습니다.	* 냉동고에 온기가 들어오면 냉동고가 오래 작동하게 됩니다. 문 여는 횟수를 줄이십시오.
	* 냉동고 문이 조금 열렸을 수 있습니다.	* "문 문제"를 참조하십시오.
	* 온도 조절기가 너무 낮게 설정되어 있습니다.	* 조절기 손잡이를 돌려 온도를 높이십시오. 몇 시간 정도 온도를 안정화시키십시오.
	* 냉동고 가스켓이 더럽거나, 마모되었거나, 균열이 있거나, 잘못 결합되어 있습니다.	* 가스켓을 청소하거나 교체하십시오. 뚜껑 씬에 누설이 있으면 원하는 온도를 유지하기 위해 냉동고가 더 오래 작동합니다.
내부 냉동고 온도가 너무 낮음	* 온도 조절기가 너무 낮게 설정되어 있습니다.	* 조절기 손잡이를 돌려 온도를 높이십시오. 몇 시간 정도 온도를 안정화시키십시오.
	내부 냉동고 온도가 너무 따뜻함	* 온도 조절기가 너무 높게 설정되어 있습니다.
* 문을 자주 열었거나 너무 오래 열어 두었습니다.		* 냉동고에 온기가 들어오면 냉동고가 오래 작동하게 됩니다. 문 여는 횟수를 줄이십시오.
* 냉동고 문이 조금 열렸을 수 있습니다.		* "문 문제"를 참조하십시오.
* 최근에 많은 양의 따뜻하거나 뜨거운 식품을 보관했습니다.		* 냉동고가 선택된 온도에 도달할 때까지 기다리십시오.
* 최근에 냉동고의 전원을 한 동안 분리했습니다.		* 냉장고를 완전히 안정화하는 데 24시간이 소요됩니다.
냉동고 외부 표면이 따뜻함	* 외부 냉장고 벽면은 실내 온도보다 30°F 정도 따뜻할 수 있습니다.	* 이는 컴프레서가 냉동고 본체 내부에서 열을 전달하기에 자연스러운 것입니다.
<b>소리 및 잡음</b>		
냉동고를 켤 때마다 소리가 시끄러움	* 오늘날의 냉동고는 보관 용량의 확대와 안정적인 온도 유지가 요구됩니다. 따라서 내구성이 강한 컴프레서가 사용됩니다.	* 정상입니다. 주위가 조용하면 냉동실을 냉각하는 동안 컴프레서 작동 소리가 들릴 수 있습니다.
컴프레서를 켤 때 소리가 시끄러움	* 냉장고를 켜는 동안에는 고압에서 작동합니다.	* 정상입니다. 냉동고가 계속 작동하게 되면 소리가 줄거나 사라집니다.
컴프레서를 켤 때 평 소리나 깨지는 듯한 소리가 들림	* 금속 부품은 온수 파이프에서처럼 확장과 수축을 하게 됩니다.	* 정상입니다. 냉동고가 계속 작동하게 되면 소리가 줄거나 사라집니다.

문제	원인	해결 방법
<b>소리 및 잡음(계속)</b>		
물이 끓을 때처럼 부글 거리는 소리	* 냉매(냉동고를 냉각시키는 데 사용)는 제품 전체를 순환합니다.	* 정상입니다.
진동이 있거나 덜컹 거리는 소리가 들림	* 냉동고의 수평이 맞지 않았습니다. 약간 움직일 때 바닥에서 흔들립니다.	* 냉동고의 하부에 나무 또는 금속 조각을 끼워 냉동고의 수평을 맞추십시오.
	* 바닥이 평평하지 않거나 약합니다.	* 바닥이 견고해야 냉동고를 제대로 지지할 수 있습니다. 냉동고의 하부에 나무 또는 금속 조각을 끼워 냉동고의 수평을 맞추십시오.
	* 냉동고가 벽에 닿습니다.	* 냉동고의 수평을 다시 맞추거나 냉동고를 약간 이동하십시오.
<b>냉동고 내부의 물/습기/서리</b>		
냉동고 벽면 안쪽에 습기가 형성됨	* 날씨가 덥거나 습기가 많으면 내부에 서리가 쌓이는 속도가 빨라집니다.	* 정상입니다.
	* 문이 약간 열려 있습니다.	* "문 문제"를 참조하십시오.
	* 문을 너무 오래 열어 두었거나 자주 열었습니다.	* 문 여는 횟수를 줄이십시오.
<b>냉동고의 냄새</b>		
냉동고에서 냄새가 남	* 내부 청소가 필요합니다.	* 스펀지에 따뜻한 물과 베이킹 소다를 묻혀 내부를 청소하십시오.
	* 냄새가 강한 식품이 냉동고에 있습니다.	* 식품을 완전히 래핑하십시오.
<b>문 문제</b>		
문이 닫히지 않음	* 냉동고의 수평이 맞지 않았습니다. 약간 움직일 때 바닥에서 흔들립니다.	* 냉동고의 하부에 나무 또는 금속 조각을 끼워 냉동고의 수평을 맞추십시오.
	* 바닥이 평평하지 않거나 약합니다.	* 바닥이 견고해야 냉동고를 제대로 지지할 수 있습니다. 냉동고의 하부에 나무 또는 금속 조각을 끼워 냉동고의 수평을 맞추십시오.
<b>조명 문제</b>		
전구가 켜지지 않음	* 형광 램프 또는 전구의 필라멘트가 끊어졌습니다.	* 특정 단원에서 "형광 램프" 또는 "실내등"을 참조하십시오.
	* 제품에 전원이 연결되지 않았습니다.	* "냉동고가 작동하지 않음"을 참조하십시오.

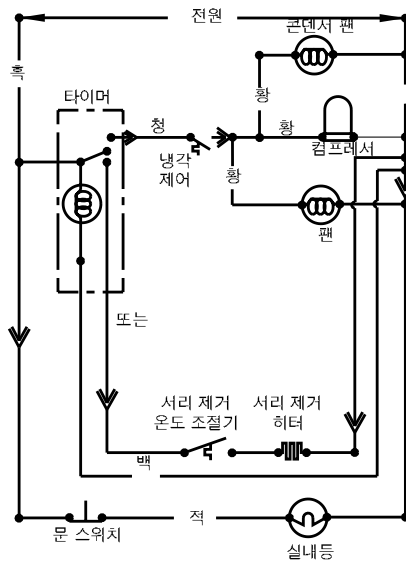
# 중요 안전 공지

아래 설명되는 내용은 자격을 갖춘 수리 요원에게 도움을 주기 위한 것입니다. 훈련을 받지 않은 사람은 감전 위험이 있으므로 절대 수리를 하려 시도해선 안됩니다. 서비스하기 전에 전원 코드를 뽑으십시오.

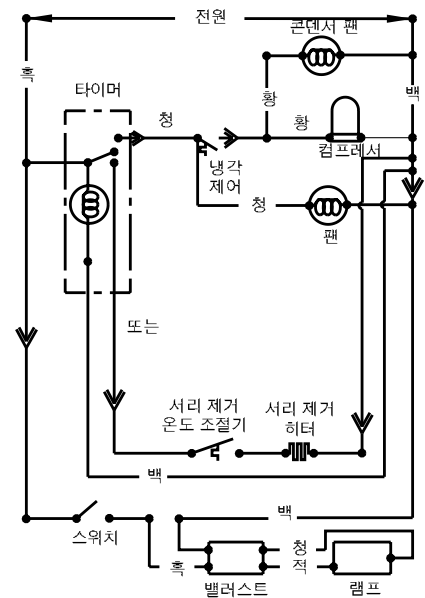
## 회로도



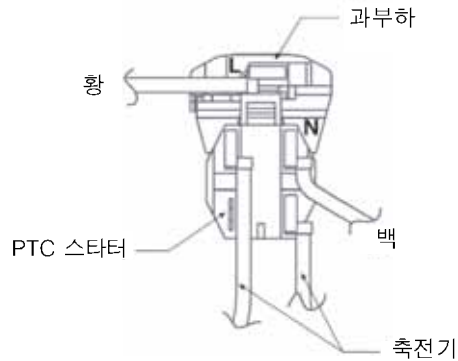
스테인리스 스틸 문 냉장고



스테인리스 스틸 문 냉동고



유리문 냉장고



## 중요

서비스하는 동안 녹색 접지선을 분리한 경우 나중에 원위치에 제대로 고정해야 합니다.

# 상용 제품 보증 정보

본 제품은 1년간 제한된 보증이 적용됩니다. 제공된 지침에 따라 제품이 설치, 사용 및 유지 관리될 경우 원구매일로부터 1년 동안 물리적 결함이나 제품 제작상의 실수로 인해 발생한 것으로 입증된 본 제품의 부품 수리 또는 교환에 대해서는 Electrolux에서 모든 비용을 지불합니다.

## 예외

**이 보증에는 다음이 포함되지 않습니다.**

1. 상용 세탁 제품에 대한 모든 인건비
2. 상용 세탁 제품에 대한 비용 지불 장치
3. 원래의 일련 번호가 제거되거나, 변경되거나 쉽게 확인될 수 없는 제품
4. 정상적인 마모, 찢김 및 점진적 저하
5. 원소유자에서 제3자로 양도되거나 미국 또는 캐나다 밖으로 반출된 제품
6. 제품 내외부의 녹
7. "보증 없이 있는 그대로" 구매한 제품
8. 냉장고 또는 냉동고의 고장으로 인한 식품 손상
9. 배송 중에 발생한 손상
10. 물리적 결함이나 제품 제작상의 실수와 관련되지 않은 서비스 통화 또는 제공된 지침에 따르지 않고 사용한 제품에 대한 서비스 통화
11. 제품의 올바른 설치 방법이나 제품 사용법 안내를 위한 서비스 통화
12. 공장 배송시 제품에 고정된 일부가 아닌 장식, 찬장, 선반 등의 분해와 같이 서비스를 위해 제품에 접근할 수 있게 하는데 드는 비용
13. 제품 전구, 공기 필터, 물 필터, 기타 소모품, 손잡이, 핸들 또는 기타 장식품의 교체를 위한 서비스 통화
14. 알래스카 주를 포함하여 원격지의 서비스 통화를 위한 근무시간 외/주말/휴일 서비스 통화, 통행료, 페리 출장 비용 또는 주행 거리 비용을 포함하나 이에 제한되지 않는 할증 요금
15. 바닥, 본체, 벽 등을 포함하나 이에 제한되지 않고 설치 동안 발생한 제품 및 공간의 마감에 대한 손상
16. 다음에 의한 손상: 자격 없는 서비스 회사에서 실시한 서비스; Electrolux 순정부품 이외의 부품 또는 공인 서비스 회사 이외의 사람에서 입수한 부품의 사용; 남용, 오용, 규격에 맞지 않는 전원, 사고, 화재 또는 불가항력 같은 외적 원인
17. 트레일러 또는 기타 모터 차량에 설치해 사용하거나 잦은 장소 이동이 필요한 유흥지 매점 또는 행사에서 사용하는 제품의 경우 여기에 제공된 대로 제품 수리 또는 교체를 위한 제품 원구매일로부터 90일 이후의 인건비

## 암시적 보증의 부인; 보상의 제한

이 제한된 보증에 따른 고객에 대한 유일한 보상은 여기에 제공된 대로 제품 수리 또는 교체입니다. 상품성 또는 특정 목적에 대한 적합성에 대한 보증을 포함하여 암시적 보증에 근거한 요구는 1년으로 제한되거나 법에 의해 허용되는 최소 기간, 적어도 1년 이상으로 제한됩니다. ELECTROLUX는 문서화된 제한된 보증 또는 모든 암시적 보증의 위반의 결과로 발생한 재산 손괴 또는 부수적 비용 같이 파생적 또는 부수적 손상에 대해 책임을 지지 않습니다. 일부 주/관할지에서는 파생적 또는 부수적 손해에 대한 책임을 배제하거나 제한하는 것이나 암시적 보증의 기간을 제한하는 것을 허용하지 않으므로 위 제한은 귀하에게 적용되지 않을 수도 있습니다. 문서화된 이 보증은 귀하에게 특별한 법적 권리를 부여합니다. 거주하는 주마다 귀하에게 부여되는 권한이 달라질 수도 있습니다.

## 서비스가 필요한 경우

보증 서비스를 받을 때 필요할 수 있으므로 보증 기간이 끝날 때까지 영수증, 배송 증명서, 기타 유효한 지불 기록을 잘 보관해 두십시오.

모든 자료를 수령하고 잘 보관해야 서비스를 받을 때 여러분에게 가장 유리합니다.

이 보증에 따른 서비스는 아래 주소 또는 전화 번호를 통해 Electrolux에서 받아야 합니다.

이 보증은 미국 및 캐나다에서만 적용됩니다. 미국의 경우 Electrolux Home Products, Inc.의 사업부인 Electrolux Major Appliances North America에서 본 제품에 대해 보증 서비스를 제공합니다. 캐나다의 경우 Electrolux Canada Corp.에서 본 제품에 대해 보증 서비스를 제공합니다. Electrolux는 어떤 사람에게도 이 보증에 따른 책임을 변경하거나 추가할 권한을 부여하지 않습니다. 이 보증에 따른 서비스와 부품에 대한 책임은 Electrolux 또는 공인 서비스 회사에 의해 수행되어야 합니다. 여기에서 설명이나 그림으로 설명된 제품 특징 또는 사양은 예고 없이 변경될 수 있습니다.

## USA

1.866.738.1640

Electrolux Major Appliances  
North America  
P.O. Box 212378  
Augusta, GA 30907



## Canada

1.866.738.1640

Electrolux Canada Corp.  
5855 Terry Fox Way  
Mississauga, Ontario, Canada  
L5V 3E4

3 Ways To Contact Us!  
¡3 formas de contactar nos!  
3 façons de nous contacter!

---

USA, EE.UU., É.-U.,  
1-800-944-9044

CANADA, CANADÁ  
1-800-265-8352

Or, O, Ou

USA, EE.UU., É.-U.

*Electrolux Major Appliances North America,*  
a division of Electrolux Home Products, Inc.  
P.O. Box 212378  
Augusta, GA 30917

CANADA, CANADÁ

*Electrolux Major Appliances North America,*  
a division of Electrolux Home Products, Inc.  
5855 Terry Fox Way  
Mississauga, Ontario, Canada  
L5V 3E4

Or, O, Ou

Visit Frigidaire's Web Site at:  
Visite la página de Frigidaire en Internet:  
Visitez le site Internet de Frigidaire au:

<http://www/frigidaire.com>

© 2006 Electrolux Major Appliances North America,  
a division of Electrolux Home Products, Inc.

 **The Electrolux Group.** *The world's No. 1 choice.*

The Electrolux Group is the world's largest producer of powered appliances for kitchen, cleaning and outdoor use combined. More than 55 million Electrolux Group products (such as refrigerators, cookers, washing machines, vacuum cleaners, chain saws and lawn mowers) are sold each year to a value of approximately USD 14 billion in more than 150 countries around the world.

PRINTED IN USA