

FRONT

August 1996

COVER Book Cover

-----  
PS/ValuePoint

**Hardware  
Maintenance  
Manual**

Important: This BOOK also contains PS/VP HMM Supplement 83G7790.

Document Number S61G-1423-02

Part Number 71G5388

-----  
+----- Note -----+  
| Before using this information and the products it supports, be sure to |  
| read the general information under "Notices" in topic 6.0. |  
+-----+  
-----

**Fourth Edition (August 1996)**

**The following paragraph does not apply to the United Kingdom or any country where such provisions are inconsistent with local law:** INTERNATIONAL BUSINESS MACHINES CORPORATION PROVIDES THIS PUBLICATION "AS IS" WITHOUT WARRANTY OF ANY KIND, EITHER EXPRESS OR IMPLIED, INCLUDING, BUT NOT LIMITED TO, THE IMPLIED WARRANTIES OF MERCHANTABILITY OR FITNESS FOR A PARTICULAR PURPOSE. Some states do not allow disclaimer of express or implied warranties in certain transactions, therefore, this statement may not apply to you.

This publication could include technical inaccuracies or typographical errors. Changes are periodically made to the information herein; these changes will be incorporated in new editions of the publication. IBM may make improvements and/or changes in the product(s) and/or the program(s) described in this publication at any time.

It is possible that this publication may contain reference to, or information about, IBM products (machines and programs), programming, or services that are not announced in your country. Such references or information must not be construed to mean that IBM intends to announce such IBM products, programming, or services in your country.

Requests for technical information about IBM products should be made to your IBM Authorized Dealer or your IBM Marketing Representative.

**! Copyright International Business Machines Corporation 1992, 1996. All rights reserved.**

Note to U.S. Government users-Documentation related to Restricted rights-Use, duplication, or disclosure is subject to restrictions set forth in GSA ADP Schedule Contract with IBM Corp.

CONTENTS Table of Contents

COVER	Book Cover
CONTENTS	Table of Contents
FRONT_1	About This Book
1.0	Hardware Maintenance Service (63XX)
1.3	General Checkout (63XX)
1.4	Undetermined Problem (63XX)
1.5	Power Supply (63XX)
1.6	Display (63XX)
1.7	Installed Devices List (63XX)
1.8	Keyboard (63XX)
1.9	Printer
1.10	Memory (63XX)
1.11	Symptom-to-FRU Index (63XX)
1.12	Type 6381, 6382 /S Parts
1.13	Type 6384, 6384 /D, 6384 P60/D Parts
1.14	Type 6387 /T Parts
1.14.1	Special Tools
2.0	Hardware Maintenance Service (64XX)
2.4	General Checkout (64XX)
2.5	Undetermined Problem (64XX)
2.6	Display (64XX)
2.7	Installed Devices List (64XX)
2.8	Memory (64XX)
2.8.1	Computer Memory
2.8.2	ValuePoint Memory Module Chart
2.9	Symptom-to-FRU Index (64XX)
2.10	Type 6472 Parts
2.11	Type 6482, 6484 Parts
2.12	Type 6492, 6494 Parts
2.12.1	Special Tools
3.0	Hardware Maintenance Reference (63XX)
3.1	Moving the Computer (63XX)
3.2	6382/S, 6384/D, 6387/T System Boards
3.3	Product Description (63XX)
3.4	Specifications (6381)
3.5	Specifications (6382)
3.6	Specifications (6384)
3.7	Specifications (6387)
3.8	Hard Disk Drive Specifications (63XX)
3.9	Hardware Compatibility (63XX)
3.10	Power-On Password (63XX)
3.11	Configuration Utility Program (63XX)
3.12	Computer Memory
3.13	6381 Memory Module Strategy
3.14	Diagnostics and Test Information (6381, 6382, 6384, 6387)
3.14.1	Power-On Self Test
3.14.2	Diagnostics Diskette
3.14.3	Diagnostic Menus
3.14.4	Error Log
3.15	Diagnostics and Test Information (6384 P60/D)
3.15.1	Running All Tests
3.15.2	Running Selected Tests
3.16	Hard Disk Drive Jumper Settings
3.17	Computer Exploded View (6381)
3.18	Computer Exploded View (6382)
3.19	Computer Exploded View (6384)
3.20	Computer Exploded View (6387)
3.21	System Board Layouts (63XX)
3.21.1	6381 SX System Board
3.21.2	6381 DX or DX2 System Board
3.21.3	6382 325T/S System Board
3.21.4	6382 /S System Board (Type 1)
3.21.5	6382 /S System Board (Type 2)
3.21.6	6384 325T System Board
3.21.7	6384 425SX System Board
3.21.8	6384 433DX or 466DX2 System Board
3.21.9	6384 /D System Board (Type 1)
3.21.10	6384 /D System Board (Type 2)
3.21.11	6384 P60/D Pentium System Board
3.21.12	6387 /T System Board (Type 1)
3.21.13	6387 /T System Board (Type 2)
3.22	System Board Connector Assignments (63XX)
3.23	PS/VP Computer Features (63XX)
4.0	Hardware Maintenance Reference (64XX)
4.1	Product Description (64XX)
4.1.1	Power-On Password (64XX)
4.2	Specifications (6472)
4.3	Specifications (6482, 6484)
4.4	Specifications (6492, 6494)
4.5	Hard Disk Drive Specifications (64XX)
4.6	Diagnostics and Test Information (64XX)
4.6.1	Power-On Self Test (64XX)
4.6.2	Diagnostics Diskette (64XX)

4.6.3	Diagnostic Menus (64XX)
4.6.4	Error Log (64XX)
4.7	Hard Disk Drive Jumper Settings (64XX)
4.8	Computer Exploded View (6472)
4.9	Computer Exploded View (6482, 6484)
4.10	Computer Exploded View (6492, 6494)
4.10.1	System Board Layouts (64XX)
4.11	PS/VP Computer Features (64XX)
5.0	Safety and Related Information
5.1	Safety Information
5.1.1	General Safety
5.1.2	Safety Inspection Guide
5.1.3	Changing the Battery
5.1.4	Handling Electrostatic Discharge (ESD) Sensitive Devices
5.1.5	Electrical Safety
5.2	Acronyms, Abbreviations and Terms
5.3	We Want Your Comments!
5.4	Do You Need Technical References?
5.5	Problem Determination Tips
5.6	Phone Numbers, U.S. and Canada
6.0	Notices
6.1	Trademarks and Service Marks

FRONT\_1 About This Book

The IBM PS/ValuePoint (PS/VP) Hardware Maintenance Manual contains *both* service and reference information for IBM PS/ValuePoint computers.

- The service section of this manual includes procedures for isolating problems to a FRU, a Symptom-to-FRU Index, and a parts listing.
- The reference section of this manual includes safety information, general information, product description, and information about the diagnostic tests.

The manual should be used with the diagnostic tests (found on the Diagnostics diskette) to effectively troubleshoot problems.

**Important**

- This manual is intended for trained servicers who are familiar with PS/ValuePoint products.
- Before servicing a PS/ValuePoint product, review "Safety Information" in topic 5.1.
- Refer to the following table to use the correct "Advanced Diagnostics" diskette for the computer you are servicing.

Diskette Type	PS/ValuePoint Model
Type 1	6384 and 6382 325T /S
Type 2	6382 /S, 6384 /D, 6387 /T
Type 3	6381
Type 4	6384 P60/D
Type 5	64XX

The five diskettes are not interchangeable.

The term "Diagnostics diskette" used in this book applies to any of the five diskettes.

1.0 Hardware Maintenance Service (63XX)

This section contains a general checkout and diagnostic test procedure, a Symptom-to-FRU Index, procedures for isolating problems to a FRU, and a parts catalog for IBM (\*) PS/ValuePoint\* (PS/VP) computers.

The diagnostic tests in this manual are intended to test *only* PS/ValuePoint products. Non-PS/ValuePoint products, prototype cards, or modified options can give false errors and invalid computer responses.

Warning: The drives in the computer you are servicing might have been rearranged or the drive startup sequence changed. Be extremely careful during write operations such as copying, saving, or formatting. Data or programs can be overwritten if you select an incorrect drive.

(\*) Trademark of the IBM Corporation.

Subtopics

- 1.1 How to Diagnose Combined FRUs
- 1.2 How to Use Error Messages
- 1.3 General Checkout (63XX)
- 1.4 Undetermined Problem (63XX)
- 1.5 Power Supply (63XX)
- 1.6 Display (63XX)
- 1.7 Installed Devices List (63XX)
- 1.8 Keyboard (63XX)
- 1.9 Printer
- 1.10 Memory (63XX)
- 1.11 Symptom-to-FRU Index (63XX)
- 1.12 Type 6381, 6382 /S Parts
- 1.13 Type 6384, 6384 /D, 6384 P60/D Parts
- 1.14 Type 6387 /T Parts

*1.1 How to Diagnose Combined FRUs*

If an adapter or device consists of more than one FRU, an error code might be caused by any of the FRUs. Before replacing the adapter or device, remove the FRUs, one by one, to see if the symptoms change.

**Notes:**

1. If you are instructed to replace the system board and that does not correct the problem, replace the riser card and reinstall the original system board.
2. If you are instructed to replace any other FRU and that does not correct the problem, reinstall that FRU before you continue.

*1.2 How to Use Error Messages*

Use the error messages displayed on the screen to diagnose failures. If more than one error message is displayed, diagnose the **first** error message. The cause of the first error message can cause false error messages to be displayed. If you did not receive any error messages, see if the error symptom is listed in the "Symptom-to-FRU Index (63XX)" in topic 1.11.

The general checkout procedure starts on the next page.



1.3 General Checkout (63XX)

+----+  
|001|

+----+

- Power-off the computer and all external devices.
- Check all cables and power cords.
- Make sure there are no diskettes in the drives.
- Power-on all external devices.
- Power-on the computer.
- Watch the screen for a POST error message.

**DID YOU RECEIVE A POST ERROR MESSAGE?**

Yes No

| |

| +----+

| |002|

| +----+

| Go to Step 008.

|

+----+

|003|

+----+

**IS THE ERROR 162?**

Yes No

| |

| +----+

| |004|

| +----+

| Go to "Symptom-to-FRU Index (63XX)" in topic 1.11. If that does not solve the problem, go to Step 008.

|

+----+

|005|

+----+

**HAS THE CONFIGURATION BEEN INTENTIONALLY CHANGED?**

Yes No

| |

| +----+

| |006|

| +----+

| Go to Step 008.

|

+----+

|007|

+----+

Press **Enter** to run the Configuration Utility program and verify that the error is no longer present. If you return to this point again, go to Step 008.

-----

+----+

|008|

+----+

If you are servicing a 6384 P60/D, go to "Diagnostics and Test Information (6384 P60/D)" on page 61.

- Insert your diagnostics diskette.
- Press **Ctrl+Alt+Del**.

**DID THE COMPUTER BOOT FROM THE DIAGNOSTIC DISKETTE AND DID THE IBM LOGO SCREEN APPEAR?**

Yes No

| |

| +----+

| |009|

| +----+

| Go to "Symptom-to-FRU Index (63XX)" in topic 1.11.

|

+----+

|010|

+----+

- Press **Enter**.
- Select Test the system.
- Press **Enter**.

**Note:** If you need to create a blank formatted diskette for this test, select FORMAT DISKETTE from the following screen.

- Press **Enter**, then go to Step 011.

-----

+----+

|011|

+----+

DID THE "SELECT AN OPTION" MENU APPEAR?

Yes No

|

+----+

| 012 |

+----+

DID YOU RECEIVE A POST ERROR?

Yes No

|

+----+

| 013 |

+----+

Go to "Symptom-to-FRU Index (63XX)" in topic 1.11.

|

+----+

| 014 |

+----+

- Press Esc.

DID THE "SELECT AN OPTION" MENU APPEAR?

Yes No

|

+----+

| 015 |

+----+

Go to "Symptom-to-FRU Index (63XX)" in topic 1.11.

|

+----+

| 016 |

+----+

Go to Step 017.

-----

+----+

| 017 |

+----+

Select SYSTEM CHECKOUT.

IS THE INSTALLED DEVICES LIST CORRECT?

Yes No

|

+----+

| 018 |

+----+

Go to "Installed Devices List (63XX)" in topic 1.7. If that does not resolve the problem, continue with Step 020.

+----+

| 019 |

+----+

- Run the diagnostics tests.

- If the test stops and you cannot continue, replace the last device tested.
- If the computer has incorrect keyboard responses, go to "Keyboard (63XX)" in topic 1.8.
- If the printer has incorrect responses, go to "Printer" in topic 1.9.
- If the display has problems such as jittering, rolling, shifting, or being out-of-focus, go to "Display (63XX)" in topic 1.6.

DID THE TESTS IDENTIFY A FAILURE?

**Note:** If the test stops and you cannot continue, replace the last device tested.

Yes No

|

+----+

| 020 |

+----+

Check the "Symptom-to-FRU Index (63XX)" in topic 1.11 for any POST error or other error symptom you might have. If your error symptom is not listed, go to "Undetermined Problem (63XX)" in topic 1.4. If you cannot find a problem, it might be intermittent:

||

|| Check for damaged cables and connectors.

|| Reseat all adapters, drives, and modules.

|| Check the system unit fan for proper operation.

|| Start an error log and run the tests multiple times. (Use a DOS-formatted diskette.)

+---+

|021|

+---+

Follow the instructions on the display. If that does not correct the  
problem, go to "Symptom-to-FRU Index (63XX)" in topic 1.11.

-----

1.4 Undetermined Problem (63XX)

Check the power supply voltages (see "Power Supply (63XX)" in topic 1.5). If the voltages are correct, return here and continue with the following steps:

1. Power-off the computer.
2. Remove or disconnect the following, one at a time:
  - a. Non-IBM devices
  - b. External devices (modem, printer, or mouse)
  - c. Snap-in fan (6384 P60/D)
  - d. Math coprocessor
  - e. Overdrive processor
  - f. Any adapters
  - g. Riser card
  - h. Memory module kits
  - i. Hard disk drive
  - j. Diskette drive
3. Power-on the computer.
4. Repeat steps 1 through 3 until you find the failing device or adapter.

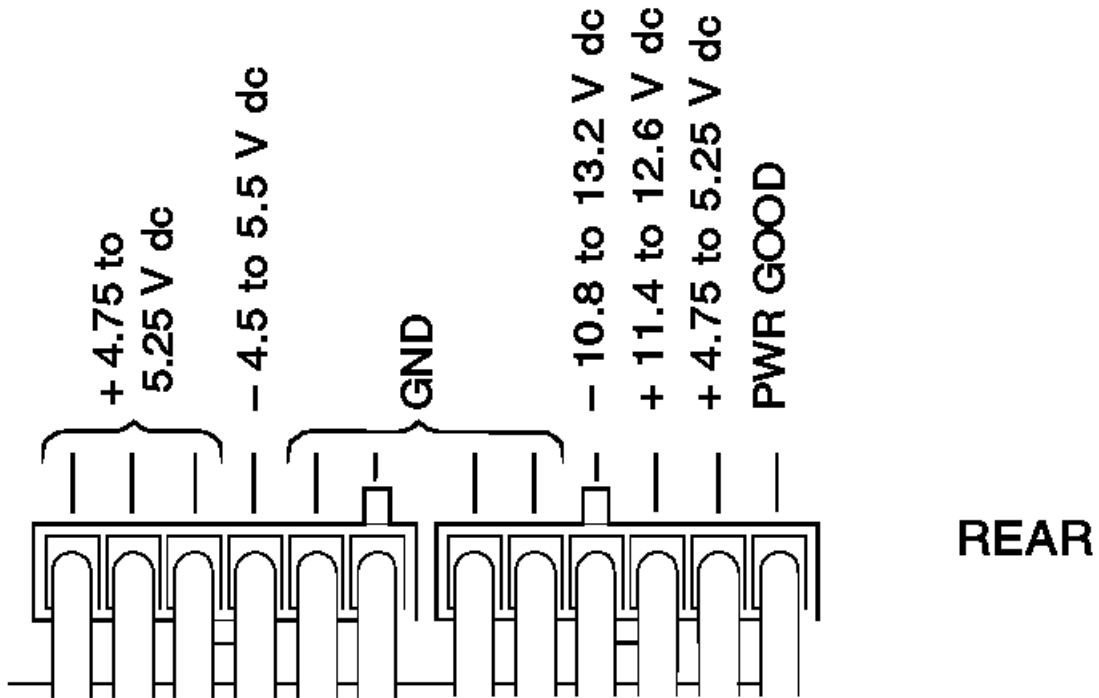
If all devices and adapters have been removed, and the problem continues, replace the system board.

1.5 Power Supply (63XX)

If the power-on indicator is not on or if the power-supply fan is not running, check the power cord for proper installation and continuity. Verify that the voltage-selector switch is set for the correct voltage.

If these are correct, check the voltages listed below.

**Note:** These voltages must be checked with the power supply cables connected to the system board.



If the voltages are not correct, and the power cord is good, replace the power supply.

1.6 Display (63XX)

If the screen is rolling, replace the display assembly. If that does not correct the problem, replace the system board.

If the screen is not rolling, do the following to run the display self-test:

1. Power-off the computer and display.
2. Disconnect the display signal cable.
3. Power-on the display.
4. Turn the brightness and contrast controls clockwise to their maximum setting.
5. Check for the following conditions:
  - You should be able to vary the screen intensity by adjusting the contrast and brightness controls.
  - The screen should be white or light gray, with a black margin (test margin) on the screen.

**Note:** The location of the test margin varies with the type of display. The test margin might be on the top, bottom, or one or both sides.

If you do not see any test margin on the screen, replace the display. If there is a test margin on the screen, replace the system board.

**Note:** During the first two or three seconds after the display is powered on, the following might occur while the display synchronizes with the computer.

- Unusual patterns or characters
- Static, crackling, or clicking sounds
- A "power-on hum" on larger displays

A noticeable odor might occur on new displays or displays recently removed from storage.

These sounds, display patterns, and odors are normal; do not replace any parts.

If you are unable to correct the problem, go to "Undetermined Problem (63XX)" in topic 1.4.

1.7 *Installed Devices List (63XX)*

Warning: A customized setup configuration (other than default settings) might exist on the computer you are servicing. Running the Configuration Utility program might alter those settings. Note the current configuration settings and verify that the settings are in place when service is complete.

*If the number of diskette drives shown in the installed devices list is not correct, do the following:*

1. Restart the computer.
2. Run the Configuration Utility program to correct the drive information.
3. Run the diagnostic tests.

If you cannot correct the drive information, replace FRUs, in the following order, until the problem goes away:

- Diskette drive
- Diskette-drive cable
- System board

*If the number of hard disk drives shown in the installed devices list is not correct, do the following:*

1. Check the hard disk drive jumper settings (see "Hard Disk Drive Jumper Settings" in topic 3.16).
2. Check the voltages to the hard disk drives (see "Power Supply (63XX)" in topic 1.5).
3. Restart the computer and check the configuration.
  - If the first drive is missing, replace the primary drive.
  - If all drives are missing, replace the primary drive.
  - If just the second drive is missing, replace that drive.If the problem remains, replace the drive cable. If that does not fix the problem, replace the system board.

*If any other adapter or device is missing from the installed devices list, run the Configuration Utility program. Check to see if any adapter or device is set to a conflicting address with any other adapter or device. Also be sure that any adapter or device missing from the list is not set to "disabled".*

**Note:** If you cannot add a missing adapter or device to the list, the diagnostic code for the missing adapter or device is not on the diagnostic diskette. Run the diagnostics provided with that device.

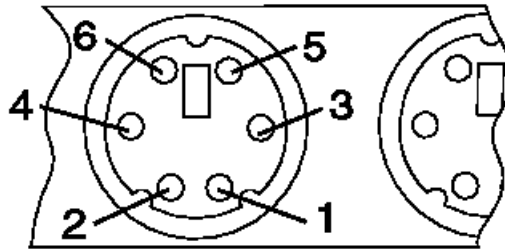
1.8 Keyboard (63XX)

**Note:** If a mouse or other pointing device is attached, remove it to see if the error symptom goes away. If the symptom goes away, the mouse or pointing device is defective.

```
+----+
|001|
+----+
```

- Power-off the computer.
  - Disconnect the keyboard cable from the system unit.
  - Power-on the computer and check the keyboard cable connector on the system unit for the voltages shown.
- All voltages are  $\pm 5\%$ .

Pin	Voltage (Vdc)
1	+5.0
2	Not Used
3	Ground
4	+5.0
5	+5.0
6	Not Used



**ARE THE VOLTAGES CORRECT?**

Yes No

```
|
|
| +----+
| |002|
| +----+
| Replace the system board.
|
|
```

```
+----+
|003|
+----+
```

On keyboards with a detachable cable, replace the cable. If the problem remains or if the cable is permanently attached to the keyboard, replace the keyboard. If the problem remains, replace the system board.

-----



1.9 Printer

1. Make sure the printer is properly connected and powered on.
2. Run the printer self-test.

If the printer self-test does not run correctly, the problem is in the printer. Refer to the printer service manual.

If the printer self-test runs correctly, install a wrap plug in the parallel port and run the diagnostic tests to determine which FRU failed.

If the diagnostic tests (with the wrap plug installed) do not detect a failure, replace the printer cable. If that does not correct the problem, replace the system board or adapter connected to the printer cable.

1.10 Memory (63XX)

+----+  
|001|  
+----+

- Power-off the computer.
- Insert the diagnostics diskette into drive A.
- Power-on the computer.
- Make a note of any POST errors you receive. Disregard 164 errors (memory size).

DID YOU RECEIVE A XXXXXX XXXX 2XX POST ERROR?

Yes No

|  
|  
+----+  
|002|  
+----+

DID THE COMPUTER BOOT FROM THE DIAGNOSTIC DISKETTE AND DID THE IBM LOGO SCREEN APPEAR?

Yes No

|  
|  
+----+  
|003|  
+----+

- You might have to press **Esc** to continue.
- Run the memory tests. Use the **RUN TESTS ONE TIME** option.
  - Continue with the question in Step 004.
  - or -
- If the computer did not boot from the diagnostic diskette with the IBM logo screen displayed, go to "Symptom-to-FRU Index (63XX)" in topic 1.11.

+----+  
|004|  
+----+

- Press **Enter** to continue.
- Run the memory tests. Use the **RUN TESTS ONE TIME** option.

DID THE MEMORY TESTS FINISH WITHOUT AN ERROR?

Yes No

|  
|  
+----+  
|005|  
+----+

Follow the instructions on the display.

+----+  
|006|  
+----+

Your computer memory is now functioning correctly. If you suspect an intermittent problem, start an error log. (Use a DOS-formatted diskette.)

+----+  
|007|  
+----+

- Press **Esc** to continue.
- Run the memory tests. Use the **RUN TESTS ONE TIME** option. If you cannot run the memory test or the test does not find a problem, replace the memory module kits, one at a time, until the problem goes away. Refer to "Computer Memory" in topic 3.12. When the problem goes away, replace the last kit removed. If that does not fix the problem, replace the system board.

1.11 Symptom-to-FRU Index (63XX)

The Symptom-to-FRU Index lists error symptoms and possible causes. The most likely cause is listed first. Always begin with "General Checkout" on page 2. This index can also be used to help you decide which FRUs to have available when servicing a computer. If you are unable to correct the problem using this index, go to "Undetermined Problem" on page 5.

**Notes:**

1. If you have both an error message and an incorrect audio response, diagnose the error message first.
2. If you cannot run the diagnostic tests, but did receive a POST error message, diagnose the POST error message.
3. If you did not receive any error message, look for a description of your error symptoms in the first part of this index.
4. Check all power supply voltages before you replace the system board. (See "Power Supply" on page 6.)
5. Check the hard disk drive jumper settings before you replace a hard disk drive. (See "Hard Disk Drive Jumper Settings Checkout" on page 51.)

```

+--- Important -----+
|
| □ For the 6381, some errors are indicated with a series of beep
|   codes (see "Model 6381 Beep Code Index" in topic 1.11.1).
|
| □ The 6384 P60/D uses the same POST error codes as other
|   PS/ValuePoint computers; however, it uses unique diagnostic
|   numeric error codes. In the following Symptom-to-FRU Index, all
|   6384 P60/D diagnostic numeric error codes include the message
|   "(6384 P60/D only)."
|
| □ For the 6384 /D, if a SoundBlaster card is installed, beeps
|   operate through the SoundBlaster card. If a "No Beep" error
|   occurs, remove the SoundBlaster card and power-on the computer.
|   If normal beeps occur, replace the SoundBlaster card.
|
+-----+

```

In the following index, an "X" in an error message can represent any number.

Symptom/Error	FRU/Action
No power, or fan not running	See "Power Supply (63XX)" in topic 1.5.
No beep during POST but computer works correctly	<b>System Board</b>
No beep during POST	See "Undetermined Problem (63XX)" in topic 1.4. System Board Memory Module Kit Any Adapter or Device Riser Card Power Cord Power Supply
One long and two short beeps during POST	<b>System Board</b>
Three short beeps during POST	See "Memory (63XX)" in topic 1.10. System Board
Continuous beep	<b>System Board</b>
Repeating short beeps	<b>Keyboard (stuck key?)</b> Keyboard Cable System Board
Changing colors	<b>Display</b>
Intensity or color varies from left to right of characters and color bars	<b>Display</b> System Board
Other display problem not listed above (including blank or illegible display)	See "Display (63XX)" in topic 1.6. System Board Display
Power-on indicator or hard disk drive in-use light not on, but computer	<b>Power Supply</b> System Board

works correctly	
Diskette drive in-use light remains on or does not light when drive is active	<b>Diskette Drive</b> System Board Diskette Drive Cable
The "Insert a Diskette" icon appears with a known-good diagnostics diskette in the first 3.5-inch diskette drive	<b>Diskette Drive</b> System Board Diskette Drive Cable Network Adapter
Program loads from the hard disk with a known-good diagnostics diskette in the first 3.5-inch diskette drive	<b>Check Configuration Utility</b> Diskette Drive System Board Power Supply
A nonsystem disk or disk error-type message with a known-good diagnostic diskette	<b>Diskette Drive</b> System Board Diskette Drive Cable
Cannot read a 5.25-inch diskette	<b>The button on the PS/VP 5.25-inch diskette drive bezel must be pressed after inserting a diskette.</b>
Incorrect memory size during POST	<b>See "Memory (63XX)" in topic 1.10.</b> System Board
Printer problems	<b>See "Printer" in topic 1.9.</b>
Serial or parallel port device failure (system board port)	<b>Device Self-Test OK?</b> Device Cable System Board
Serial or parallel port device failure (adapter port)	<b>Device Self-Test OK?</b> Device Cable Alternate Adapter System Board Riser Card
Some or all keys on the keyboard do not work	<b>Keyboard</b> Keyboard Cable System Board
Clock Battery inaccurate	<b>Clock Battery</b> System Board
XXXX ROM Error	<b>Any Adapter</b>
<b>000XXXXX</b> (6384 P60/D only)	<b>Diagnostic Diskette</b>
<b>002XXXXX</b> (6384 P60/D only)	<b>Keyboard</b>
<b>003XXXXX</b> (6384 P60/D only)	<b>Diskette Drive</b> System Board
<b>004XXXXX</b> (6384 P60/D only)	<b>Memory Module Kit</b> (Remove memory module kits one at a time. When the problem goes away, replace the last memory module kit removed.)
<b>005XXXXX</b> (6384 P60/D only)	<b>Real Time Clock</b>
<b>007XXXXX</b> (6384 P60/D only)	<b>Hard Disk Drive</b> System Board
<b>008XXXXX</b> (6384 P60/D only)	<b>System Board</b> (Serial port)
<b>009XXXXX</b> (6384 P60/D only)	<b>System Board</b> (Parallel port)
<b>011XXXXX</b> (6384 P60/D only)	<b>System Board</b> (DMA)
<b>015XXXXX</b>	<b>Miscellaneous</b>

**Type 63XX, 64XX IBM PS/ValuePoint HMM - 07/96**  
Symptom-to-FRU Index (63XX)

(6384 P60/D only)	(Replace FRU indicated by text message on screen)
<b>01EXXXXX</b> (6384 P60/D only)	<b>System Board</b> (Pentium Processor)
<b>02BXXXXX</b> (6384 P60/D only)	<b>System Board</b> (Video controller)
<b>02CXXXXX</b> (6384 P60/D only)	<b>System Board</b> (FLASH EEPROM)
<b>029XXXXX</b> (6384 P60/D only)	<b>System Board</b> (Video controller)
<b>110</b>	<b>Follow screen instructions</b> Memory Module Kit System Board
<b>161</b>	<b>Run Configuration Utility</b> Clock Battery System Board
<b>162</b> (and unable to run diagnostics)	<b>Diskette Drive</b> System Board Diskette Drive Cable
<b>162</b>	<b>Run Configuration Utility</b> Clock Battery System Board
<b>163</b>	<b>Time and Date Set?</b> Clock Battery System Board
<b>164</b>	<b>Run Configuration Utility</b> See "Memory (63XX)" in topic 1.10. System Board
<b>199</b>	<b>See "Installed Devices List (63XX)"</b> in topic 1.7.
<b>1XX</b> (not listed above)	<b>System Board</b>
<b>225</b>	<b>Unsupported Memory</b>
<b>2XX</b> or <b>XXXXXX XXXX 2XX</b>	<b>See "Memory (63XX)"</b> in topic 1.10. Memory Module Kit System Board
<b>305</b> (The system-board nonreplaceable fuse can be blown by a defective keyboard or mouse. If you suspect one of these FRUs, replace it when you replace the system board.)	<b>System Board</b> Keyboard Keyboard Cable Mouse
<b>3XX</b> (not listed above)	<b>Keyboard</b> Keyboard Cable System Board
<b>604</b> or <b>662</b>	<b>Wrong diskette drive type</b>
<b>663</b>	<b>Wrong media type</b>
<b>6XX</b> (not listed above)	<b>Diskette Drive</b> System Board External Drive Adapter Diskette Drive Cable Power Supply
<b>7XX</b>	<b>Math Coprocessor</b> System Board
<b>9XX</b>	<b>System Board</b>
<b>1047</b>	<b>16-bit AT SCSI Fast Adapter</b>
<b>10XX</b> (not listed above)	<b>Alternate Parallel Adapter</b> Riser Card

11XX	System Board
12XX	Alternate Serial Adapter Riser Card
13XX (A properly functioning joystick or paddle must be attached)	Game Control Adapter Riser Card
14XX	See "Printer" in topic 1.9.
15XX	SDLC Communications Adapter Riser Card
17XX	See "Power Supply (63XX)" in topic 1.5. Hard Disk Drive System Board Hard Disk Cable Power Supply
209X	Diskette Drive Diskette Cable 16-bit AT SCSI Fast Adapter
20XX (not listed above)	BSC Adapter Riser Card
21XX	SCSI Device 16-bit AT SCSI Fast Adapter Alternate BSC Adapter Riser Card
2401, 2402	System Board Display
2409	Display
2410	System Board
30XX	PC Network Adapter LF Translator Cable Problem? Riser Card
31XX	Alternate PC Network Adapter LF Translator Cable Problem? Riser Card
86XX	Mouse System Board
12902	Run Diagnostics System Board
12904	Run Diagnostics L2 Cache Adapter
I9990301 (Hard disk reset failure)	Possible hard disk drive problem
I9990305 (No startable device found)	Restart computer from diskette or check for valid startup sequence System Board
I999XXXX (not listed above) (There is an optional SCSI adapter installed)	SCSI Hard Disk Drive SCSI Adapter SCSI Cable

Subtopics

1.11.1 Model 6381 Beep Code Index

1.11.1 Model 6381 Beep Code Index

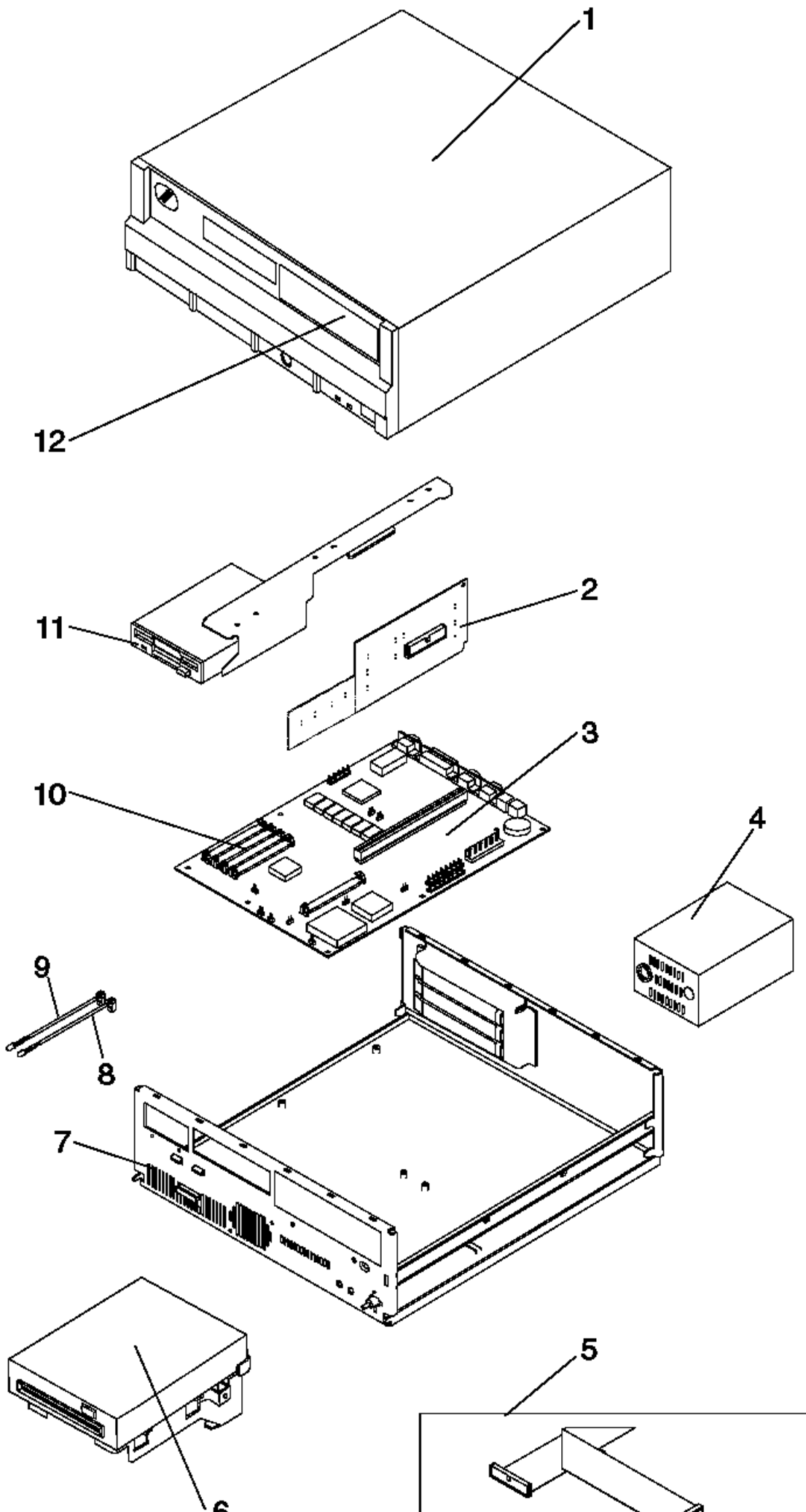
**Important**

In the following Beep Code Index, the numbers indicate the sequence and number of beeps. For instance, a "2-3-2" error symptom (a burst of two beeps, three beeps, then a burst of two beeps) indicates a memory module kit problem. (See "Symptom-to-FRU Index (63XX)" in topic 1.11 for other beep/no-beep symptoms.)

Beep Code	FRU/Action
1-3-1, 1-3-2	Memory Module Kit System Board
1-4-4	Keyboard System Board
2-1-1, 2-1-2	Run Setup System Board
2-2-2	Video Card System Board
2-3-2	Memory Module Kit System Board
2-4-3, 2-4-4	Run Setup Memory Module Kit System Board
All other beep code sequences	System Board

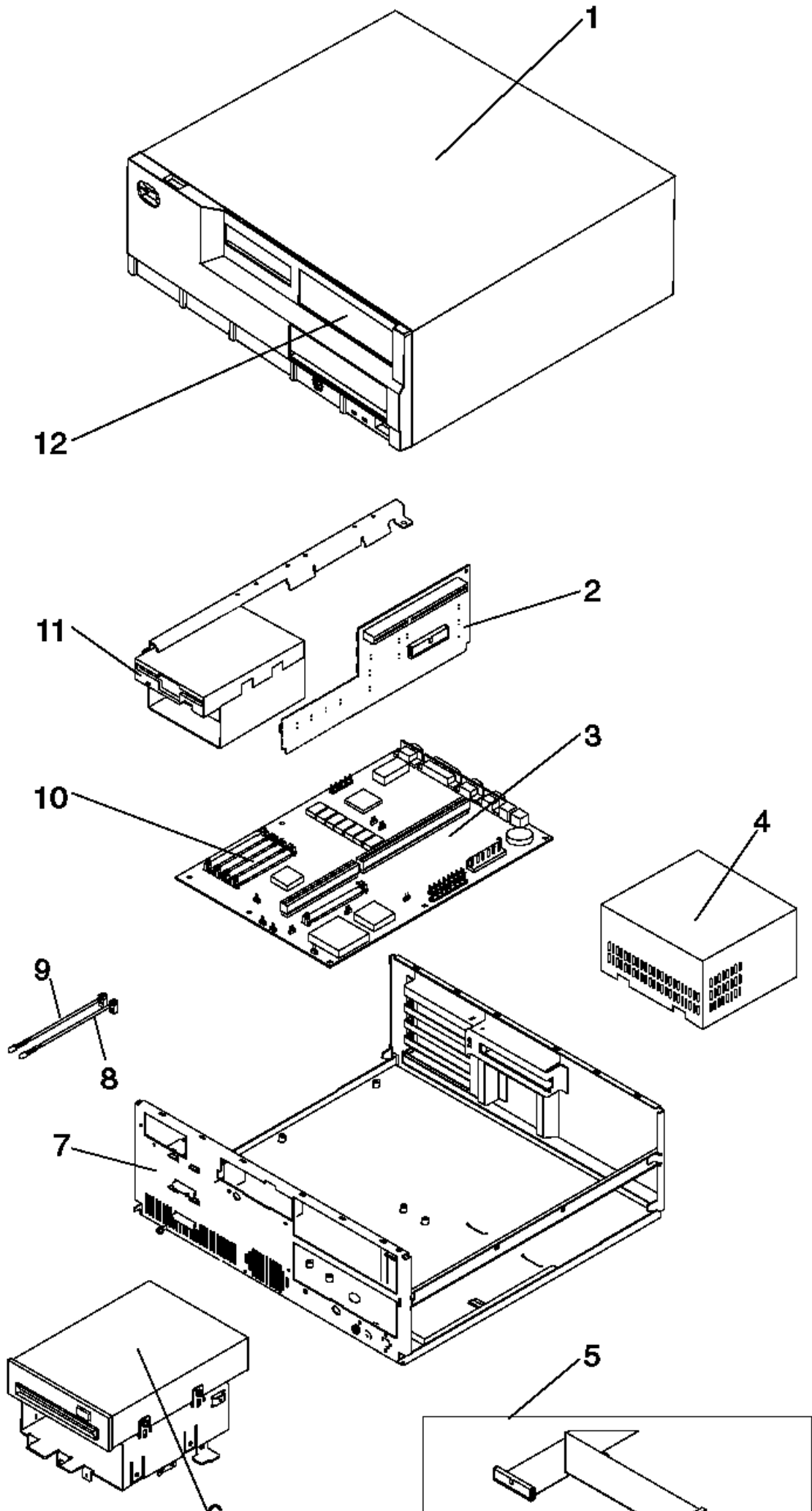
1.12 Type 6381, 6382 /S Parts





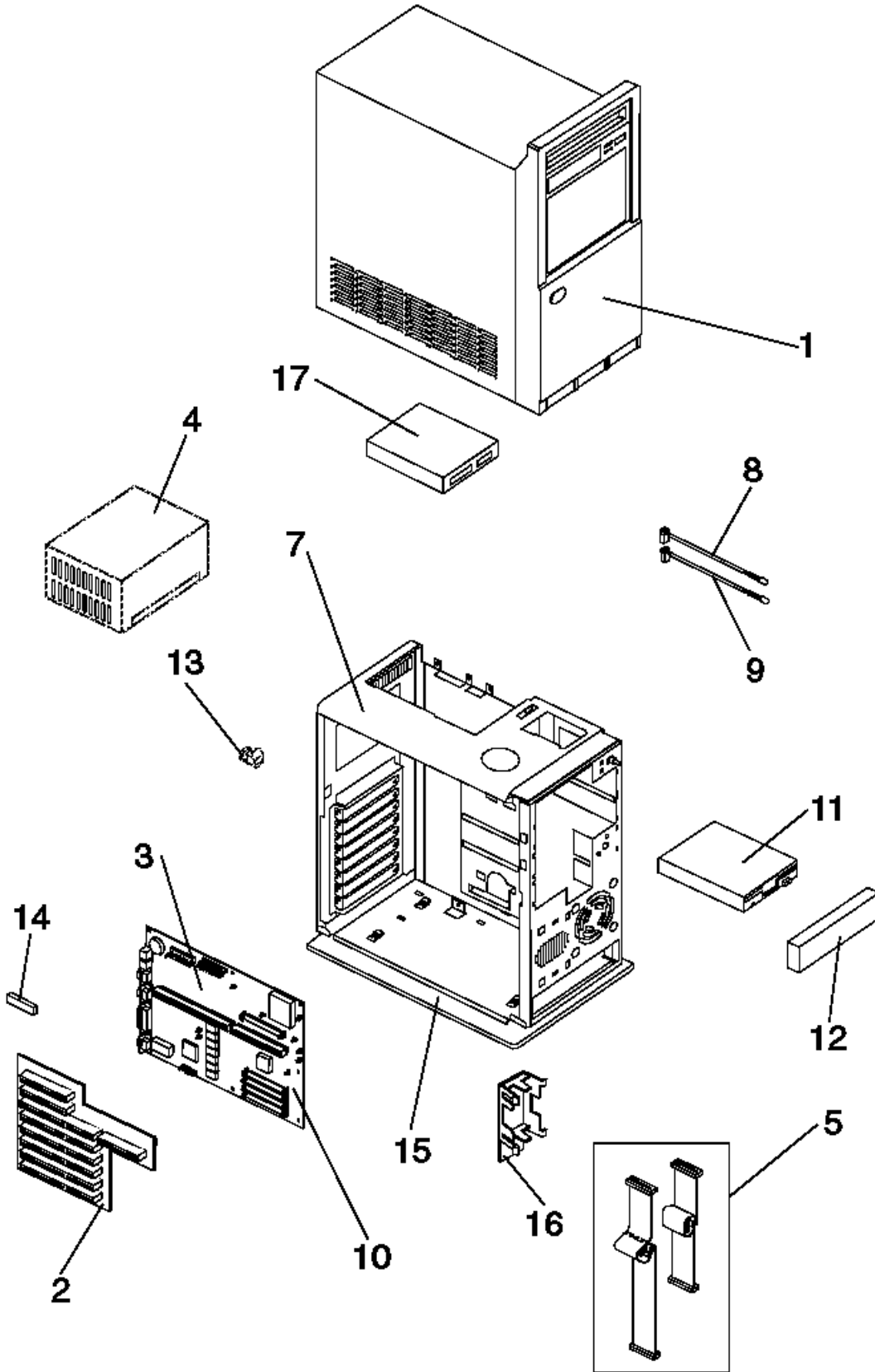


*1.13 Type 6384, 6384 /D, 6384 P60/D Parts*





1.14 Type 6387 /T Parts



Parts Listing

**Note:** Not all parts in this listing apply to all countries.

<i>Index</i>	<i>System Unit</i>	
1	Top Cover Assembly (6381, 6382 /S)	92F0414
1	Top Cover Assembly (6384, 6384 P60/D)	52G8740
1	Top Cover Assembly (6384 /D)	92F0410
1	Top Cover Assembly (6387 /T)	61G2169
	Logo	52G8743
	Power Button (6381, 6384 P60/D)	61G3204

Power Button (6387 /T)	61G3205
Front Bezel w/ labels (6381, 6382 /S)	92F0417
Front Bezel w/ labels (6384)	52G8742
Front Bezel w/ labels (6384 /D, 6384 P60/D)	92F0413
Front Bezel w/ labels (6387 /T)	61G2170
Foot (4)	93F2386
2 Riser Card (6381)	52G7065
2 Riser Card (6382 /S)	92F0391
2 Riser Card (6382 (386SLC only))	93F2393
2 Riser Card (6384)	93F2396
2 Riser Card (6384 /D)	92F0392
2 Riser Card (6384 P60/D)	71G2782
2 Riser Card (6387 /T)	92F0393
Riser Card Support Clip (6387 /T)	61G2365
Power Graph X-24 Adapter	60G9697
3 <b>System Boards (6381)</b> (no memory)	
425SX/Si (486SX 25MHz)	52G7023
433SX/Si (486SX 33MHz)	52G7022
433DX/Si (486DX 33MHz)	52G7017
450DX2/Si (486DX2 25/50MHz)	65G8626
466DX2/Si (486DX2 33/66MHz)	52G7016
3 <b>System Boards (6382 /S)</b> (no memory)	
325T/S (386SLC 25MHz, 2MB)	52G8751
425SX/S (486SX 25MHz) (Type 1)	92F0394
425SX/S (486SX 25MHz) (Type 2)	61G3215
433SX/S (486SX 33MHz) (Type 1)	92F0388
433SX/S (486SX 33MHz) (Type 2)	61G2205
433DX/S (486DX 33MHz) (Type 1)	92F0396
433DX/S (486DX 33MHz) (Type 2)	71G3154
466DX2/S (486DX2 33/66MHz)	71G3161
3 <b>System Boards (6384)</b> (no memory)	
325T (386SLC 25MHz, 2MB)	52G8751
425SX (486SX 25MHz)	60G9713
433DX (486DX 33MHz)	60G9712
466DX2 (486DX2 33/66MHz)	60G9711
3 <b>System Boards (6384 /D)</b> (no memory)	
425SX/D (486SX 25MHz) (Type 1)	92F0394
425SX/D (486SX 25MHz) (Type 2)	61G3215
433SX/D (486SX 33MHz) (Type 1)	92F0388
433SX/D (486SX 33MHz) (Type 2)	61G2205
433DX/D (486DX 33MHz) (Type 1)	92F0396
433DX/D (486DX 33MHz) (Type 2)	71G3154
450DX2/D (486DX2 25/50MHz)	71G6462
466DX2/D (486DX2 33/66MHz)	71G3161
P60/D (Pentium 60MHz)	71G3232
3 <b>System Boards (6387 /T)</b> (no memory)	
433DX/T (486DX 33MHz) (Type 1)	92F0396
433DX/T (486DX 33MHz) (Type 2)	71G3154
450DX2/T (486DX2 25/50MHz)	71G6462
466DX2/T (486DX2 33/66MHz)	61G3181
(Model's WXX only)	

**Index System Unit**

Snap-in Fan Assembly (6384 P60/D)	71G6619
Lithium Battery - CR2032	33F8354
Lithium Battery (6384 P60/D)	71G6630
L2 Cache 128KB	92F0397
L2 Cache 128KB (6381, 6384 P60/D)	73G3139
L2 Cache 128KB (6387 /T)	92F0399
L2 Cache 256KB	92F0398
L2 Cache 256KB (6381, 6384 P60/D)	73G3231
L2 Cache 256KB (6387 /T)	92F0400
Video DRAM, 512KB (6381)	73G3138
Video DRAM, 1MB (6384 P60/D)	73G3236
Video DRAM, 1MB (All other models)	60G2951
Jumper, 2 position - 4 pack	93F0067
EMC Clips - 6 pack	92F0420
Miscellaneous Parts Kit	53G0387
Hard Disk Drive Mounting Screws (4)	
Power Supply Mounting Screws (4)	
Diskette Drive Mounting Screws (4)	
Tower Cover Screws (2)	
System Board Standoffs (2)	
Nylon Screws (4)	
Flat Adhesive Washers (4)	
System Board / DASD Tray Screws (6)	
4 100 W Power Supply (6381, 6382/Si)	92F0415
4 145 W Power Supply (6384)	52G8741
4 200 W Pwr Supply (6384/D, 6387/T)	92F0411
5 Diskette Drive Cable (6381, 6384)	52G8748
5 Diskette Drive Cable (6382 /S, 6384 /D, 6387)	92F0423
5 Hard Dsk Drv Cable (6381, 6382 /S, 6384 /D)	92F0424

## Type 6387 /T Parts

5	Hard Disk Drive Cable (6384)	52G8749
5	Hard Disk Drive Cable (6387 /T)	92F0424
7	Base Frame Assembly (6381, 6382 /S) (R)	92F0416
7	Base Frame Assembly (6384) (R)	52G8750
7	Base Frame Assembly (6384 /D) (R)	92F0412
7	Base Frame Assembly (6387 /T)	92F0422
	Adapter Card Guides (2)	52G8746
	Adapter Card Guide (6384 P60/D)	82G1745
	Speaker	92F0421
8	LED and Cable, Power	93F2389
9	LED and Cable, Hard Disk Drive	93F2388
10	30-Pin Memory Module, 1MB	93F0058
	30-Pin Memory Module, 4MB	96F9289
	72-Pin Memory Module, 1MB (80 ns)	90X8624
	72-Pin Memory Module, 2MB (70 ns)	92F0102
	72-Pin Memory Module, 2MB (70 ns) (6381)	73G3232
	72-Pin Memory Module, 2MB (80 ns)	92F0103
	72-Pin Memory Module, 4MB (70 ns)	92F0105
	72-Pin Memory Module, 4MB (6384 P60/D)	73G3233
	72-Pin Memory Module, 4MB (80 ns)	92F3337
	72-Pin Memory Module, 8MB (70 ns)	64F3606
	72-Pin Memory Module, 8MB (70 ns) (6381)	73G3234
	72-Pin Memory Module, 8MB (80 ns)	64F3607
	72-Pin Memory Module, 8MB (6384 P60/D)	73G3234
	72-Pin Memory Module, 16MB (80 ns)	60G2950
	72-Pin Memory Module, 32MB (6384 P60/D)	73G3235
	Cover Lock w/ pawl	52G8744
13	Cover Lock w/ pawl (6387 /T)	61G2177
14	Riser Card Support Clip (6387 /T)	61G2365
15	Base Stand (6387 /T)	61G2174
16	Adapter Card Guide (6382, 6384)	93F2387
16	Adapter Card Guide (6387 /T)	61G2173

**Index DASD**

6	5.25-in. 1.2MB Diskette Drive (optional)	93F2362
11	3.5-in. 1.44MB Diskette Drive	93F2361
	3.5-in. Blank Drive Bezel	92F0419
	3.5-in. Diskette Drive Bezel (6387 /T)	61G2172
	3.5-in. Tray / Riser Support (6381, 6382 /S)	61G2175
	3.5-in. Tray / Riser Support (6384, 6384 /D, 6384 P60/D)	71G6112
	3.5-in. Tray and Riser Support (6387 /T)	61G2176
	Mounting Screws (4)	93F0041
12	5.25-in. Blank Bezel	52G8745
12	Blank Drive Bezel (6387 /T)	61G2171
	5.25-in. Tray (6381, 6382/S)	71G6111
	5.25-in. Tray (6384, 6384/D, 6384 P60/D)	71G6113
	5.25-in. Tray (6387 /T)	61G3207
	5.25-in. to 3.5-in. Tray Conversion Kit	70G8165
17	80MB Hard Disk Drive	95F4721
17	120MB Hard Disk Drive	92F0256
17	170MB Hard Disk Drive	95F4728
17	170MB Hard Disk Drive (6381, 6382 /S, 6384 /D, 6387 /T)	71G4958
17	212MB Hard Disk Drive	93F0118
17	212MB Hard Disk Drive (6381, 6384 P60/D)	71G4874
17	245MB Hard Disk Drive	92F0403
17	340MB Hard Disk Drive	92F0404
17	420MB Hard Disk Drive (6384 P60/D)	71G4930
17	527MB Hard Disk Drive	82G3300
	16-Bit AT SCSI Fast Adapter (option)	92F0330

**Multimedia**

	SoundBlaster 16 Card	71G2924
	SoundBlaster 16 Audio/Data Cable	71G2925
	CD ROM Drive	61G4109
	Low Cost CD ROM Drive	61G1901
	Internal Adapter	61G4110
	Data Cable	61G4111
	Audio Cable	61G4112
	3.5-in Enhanced Rewritable Optical Drive	92F0167
	Mounting Bracket and Screws	32G2963
	Drive Bezel	92F0268

**Communication Adapters**

	Ethernet Adapter (twisted pair)	92F0386
	Ethernet Adapter (coaxial)	92F0387



**Keyboard Cable and Mouse**

Keyboard Cable Assembly 0.9 m (3 ft.)	61X8898
Keyboard Parts Kit	33F8174
Mouse	33G5420
Mouse (6381, 6384 P60/D)	96F9258
-- Mouse Ball and Pop-Off Retainer	33F8461
-- Mouse Ball and Twist-Off Retainer	33F8462
-- Mouse Ball and Clip (6381, 6384 P60/D)	96F9279

**Keyboards**

Arabic	1391490
Belgian	1391414
Belgian/French	1391526
Brazil (6381, 6384 P60/D)	61G3976
Bulgarian	1399583
Canadian French	1392022
Canadian French (attached cable)	92F0334
Czechoslovakian	1399570
Cyrillic	1393866
Danish	1391407
Dutch	1391511
Finnish/Swedish	1391411
French	1391402
German	1391403
Greek	1399046
Hebrew	1391408
Hungarian	1399581
Italian	1393395
Latin-American Spanish	1392025
Latin-American Spanish (attached cable)	92F0333
Latin-American Spanish (6381, 6384 P60/D)	61G3976
Norwegian	1391409
Polish	1399580
Portuguese	1391410
Portuguese (6381, 6384 P60/D)	61G3976
Romanian	1399582
Russian/Cyrillic	1399579
Serbian/Cyrillic	1399578
Slovakian	1399571
Spanish	1391405

Swedish/Finnish	1391411
Swiss	1391412
Swiss/French	1395881
Swiss/German	1395882
Turkish	1393286
U.K. English	1391406
U.S. English	1392090
U.S. English (attached cable)	92F0332
U.S. English (E/ME/A only)	1396790
Yugoslavian	1393669

**Displays**

**6312 Color Display**

90/137 V ac (U.S. and Canada)	39G3321
180/264 V ac (Northern Hemisphere)	39G3322
180/264 V ac (Equatorial)	39G3323
180/264 V ac (Southern Hemisphere)	39G3494
Tilt/Swivel Stand	39G3496

**6314 Color Display**

98/264 V ac (U.S. and Canada)	39G3352
98/264 V ac (Northern Hemisphere)	39G3353
98/264 V ac (Equatorial)	39G3454
98/264 V ac (Southern Hemisphere)	39G3498
Tilt/Swivel Stand	39G3502
Signal Cable	39G3331

**6317 Color Display**

98/264 V ac (U.S. and Canada)	39G3359
98/264 V ac (Northern Hemisphere)	39G3360
98/264 V ac (Southern Hemisphere)	39G3361

**6319 Color Display**

98/264 V ac (U.S. and Canada)	39G3385
98/264 V ac (Northern Hemisphere)	39G3386
98/264 V ac (Equatorial)	39G3387
98/264 V ac (Southern Hemisphere)	39G3500
Tilt/Swivel Stand	39G3503
Signal Cable	39G3331

**6324 Color Display**

98/264 V ac (U.S. and Canada)	68G1356
-------------------------------	---------

ITC Assembly for 68G1356	68G1419
Card Tray Assembly for 68G1356	39G6257

**6325 Color Display**

98/264 V ac (U.S. and Canada)	68G1443
ITC Assembly for 68G1443	39G6292
Card Tray Assembly for 68G1443	68G1321

**6327 Color Display**

98/264 V ac (U.S. and Canada)	39G3362
ITC Assembly for 39G3362	72G8486
Card Tray Assembly for 39G3362	72G8489

**Power Cords**

Arabic Countries	14F0033
Australia	93F2365
Belgium	13F9979
Bulgaria	13F9979
Canada	93F2364
Czechoslovakia	13F9979
Denmark	13F9997
Finland	13F9979
France	13F9979
Germany	13F9979
Hungary	13F9979
Israel	14F0087
Italy	14F0069
Latin-America	93F2366
Netherlands	13F9979
New Zealand	93F2365
Norway	13F9979
Poland	13F9979
Portugal	13F9979
Serbia	13F9979
Slovakia	13F9979
South Africa	14F0015
Spain	13F9979
Switzerland	13F9979
Switzerland (French, German)	14F0051
U.S.	93F2364
UK, Ireland	14F0033

Yugoslavia	13F9979
<b>Display Power Cord</b>	<b>38F3908</b>

Subtopics

1.14.1 Special Tools

1.14.1 *Special Tools*

The following special tools are required to service these computers:

- A meter similar to the Triplet (\*\*\*) Model 310  
(IBM P/N 9900167)
- Wrap Plug, IBM P/N 72X8546

(\*\*\*) Trademark of the Triplet Corporation

2.0 Hardware Maintenance Service (64XX)

This section contains a general checkout and diagnostic test procedure, a Symptom-to-FRU Index, procedures for isolating problems to a FRU, a parts catalog, system specifications, a system board layout, exploded views, and a 64XX computer features table for the IBM (\*) ValuePoint\* Models 6472, 6482, 6484, 6492, and 6494.

The diagnostic tests in this manual are intended to test *only* 64XX ValuePoint products. Other products, prototype cards, or modified options can give false errors and invalid computer responses.

+--- **Important** -----+  
|  
| □ Use the ValuePoint Advanced Diagnostics Diskette Type 5 for all  
| 64XX models.  
|  
| □ For systems preloaded with Windows (\*\*), QAPLUS/WIN (\*\*) for  
| ValuePoint is available in the Windows environment as an  
| additional diagnostic aid.  
|  
| □ Call 1-800-772-2227 for the latest BIOS level for the system you  
| are servicing.  
|  
+-----+

(\*) Trademark of the IBM Corporation.

(\*\*) Trademark of the MicroSoft Corporation.

(\*\*) Trademark of DiagSoft Inc.

Subtopics

- 2.1 Before Replacing 64XX System Boards
- 2.2 How to Install 64XX Processors
- 2.3 How to Diagnose 64XX system boards with 486DX4 Processors
- 2.4 General Checkout (64XX)
- 2.5 Undetermined Problem (64XX)
- 2.6 Display (64XX)
- 2.7 Installed Devices List (64XX)
- 2.8 Memory (64XX)
- 2.9 Symptom-to-FRU Index (64XX)
- 2.10 Type 6472 Parts
- 2.11 Type 6482, 6484 Parts
- 2.12 Type 6492, 6494 Parts

*2.1 Before Replacing 64XX System Boards*

For all 64XX models, the processor is a separate FRU from the system board; the processor is not included with the system board FRU.

If you are instructed to replace the system board, do the following:

1. Install the processor from the old system board on the new system board.
2. If any of the following options are on the old system board, install them on the new system board.
  - external cache memory and cache tag RAM
  - memory modules
  - extended video memory
3. Ensure that all the new system board jumper settings match the old system board jumper settings.

If the new system board does not correct the problem, reinstall the options on the old system board, reinstall the old system board, then replace the processor.

2.2 How to Install 64XX Processors

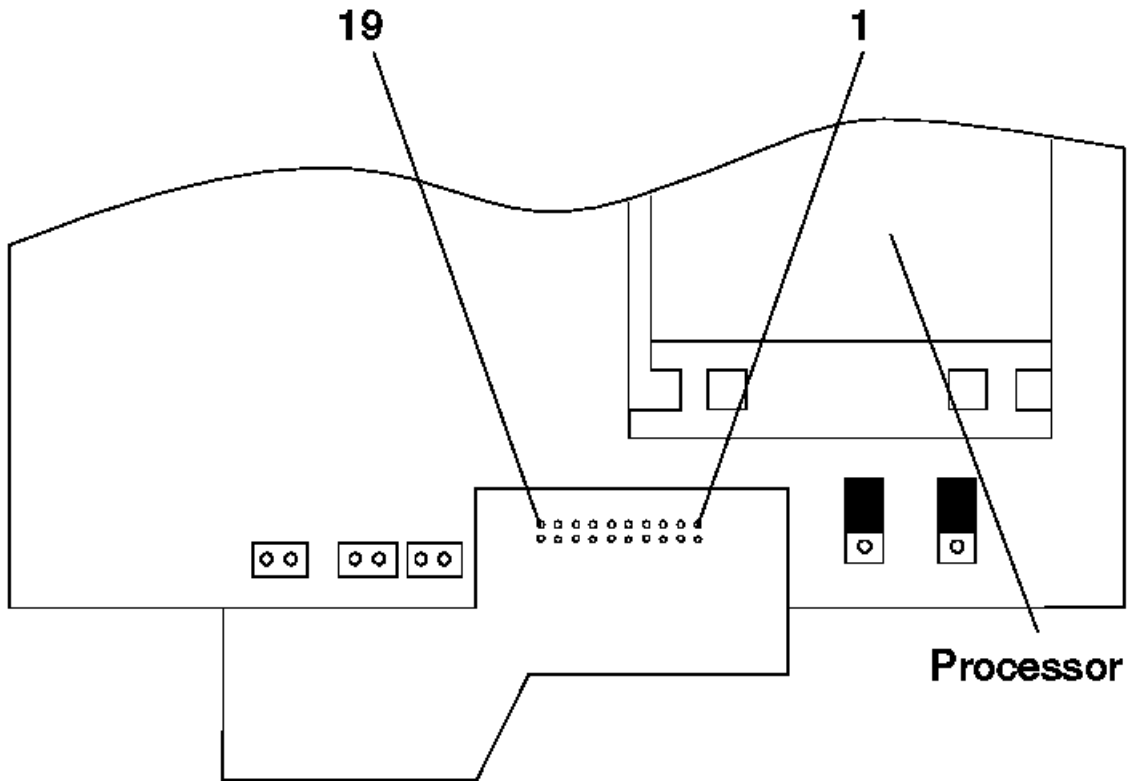
Install all model 64XX processors with the bevelled corner located at the front-left corner of the processor socket.

+--- **Important** -----+  
| If the processor is not installed correctly, the system board and the |  
| processor will be damaged. |  
+-----+



2.3 How to Diagnose 64XX system boards with 486DX4 Processors

The 486DX4 processor FRU consists of the processor and a voltage regulator. If you are instructed to replace the system board, first check for 3.5 V dc between pin 1 and pin 19 on the regulator board.



1. If the voltage is correct (approximately 3.5 V dc) replace the system board.
2. If the voltage is incorrect, replace the processor FRU.

The general checkout procedure starts on the next page.

2.4 General Checkout (64XX)

+----+

|001|

+----+

- Power-off the computer and all external devices.
- Check all cables and power cords.
- Make sure there are no diskettes in the drives.
- Power-on all external devices.
- Power-on the computer.

**Note:** You can press **Esc** to speed through the memory count when the system is first powered on.

- Watch the screen for a POST error message.

**DID YOU RECEIVE A POST ERROR MESSAGE?**

Yes No

| |

| +----+

| |002|

| +----+

| Go to Step 008 in topic 1.3.

| |

+----+

|003|

+----+

**IS THE ERROR 162?**

Yes No

| |

| +----+

| |004|

| +----+

| If you remove or install memory, a 164 error is displayed. Follow the instructions on the screen. Otherwise, go to "Symptom-to-FRU Index (64XX)" in topic 2.9. If that does not solve the problem, go to Step 008.

| |

+----+

|005|

+----+

**HAS THE CONFIGURATION BEEN INTENTIONALLY CHANGED?**

Yes No

| |

| +----+

| |006|

| +----+

| Go to Step 008.

| |

+----+

|007|

+----+

Press **Enter** to run the Configuration Utility program and verify that the error is no longer present. If you return to this point again, go to Step 008.

-----

+----+

|008|

+----+

- Insert your diagnostics diskette.

- Press **Ctrl+Alt+Del**.

**DID THE COMPUTER BOOT FROM THE DIAGNOSTIC DISKETTE AND DID THE IBM**

**HARDWARE DIAGNOSTIC LOGO SCREEN APPEAR?**

Yes No

| |

| +----+

| |009|

| +----+

| Go to "Symptom-to-FRU Index (64XX)" in topic 2.9.

| |

+----+

|010|

+----+

- Select Test the System.

- Press **Enter**.

- If you need to create a formatted test diskette for this test, press **Y**, press **Enter**, then follow the instructions on the screen.

Otherwise, press **N**, press **Enter**, then go to Step 011.

-----

+----+

| 011 |

+----+

IS THE INSTALLED DEVICES LIST CORRECT?

Yes No

| |

| |

+----+

| 012 |

+----+

Press **N**, then press **Enter**. Go to "Installed Devices List (64XX)" in topic 2.7. If that does not solve the problem, continue with Step 016.

+----+

| 013 |

+----+

- Press **Y**, then press **Enter**

DID THE "SYSTEM CHECKOUT" MENU APPEAR?

Yes No

| |

| |

+----+

| 014 |

+----+

Go to "Symptom-to-FRU Index (64XX)" in topic 2.9.

+----+

| 015 |

+----+

- Run the diagnostics tests.

- If the test stops and you cannot continue, replace the last device tested.
- If the computer has incorrect keyboard responses, go to "Keyboard" on page 9 in the PS/ValuePoint *Hardware Maintenance Manual*.
- If the printer has incorrect responses, go to "Printer" on page 9 in the PS/ValuePoint *Hardware Maintenance Manual*.
- If the display has problems such as jittering, rolling, shifting, or being out-of-focus, go to "Display (64XX)" in topic 2.6.

DID THE TESTS IDENTIFY A FAILURE?

**Note:** If the test stops and you cannot continue, replace the last device tested.

Yes No

| |

| |

+----+

| 016 |

+----+

Check the "Symptom-to-FRU Index (64XX)" in topic 2.9 for any POST error or other error symptom you might have. If your error symptom is not listed, go to "Undetermined Problem (64XX)" in topic 2.5. If you cannot find a problem, it might be intermittent:

||

| Check for damaged cables and connectors.

| Reseat all adapters, drives, and modules.

| Check the system unit fan for proper operation.

| Start an error log and run the tests multiple times (see "Error Log" in topic 3.14.4).

+----+

| 017 |

+----+

Follow the instructions on the display. If that does not correct the problem, go to "Symptom-to-FRU Index (64XX)" in topic 2.9.

2.5 Undetermined Problem (64XX)

Check the power supply voltages. If the voltages are correct, return here and continue with the following steps:

1. Power-off the computer.
2. Remove or disconnect the following, one at a time:
  - a. Non-IBM devices
  - b. External devices (modem, printer, or mouse)
  - c. Math coprocessor
  - d. Any adapters
  - e. Riser card
  - f. Memory modules (see "Computer Memory" in topic 2.8.1).
  - g. Extended video memory
  - h. External Cache
  - i. External Cache tag RAM
  - j. Hard disk drive
  - k. Diskette drive
3. Power-on the computer to re-test the system.
4. Repeat steps 1 through 3 until you find the failing device or adapter.

If all devices and adapters have been removed, and the problem continues, replace the system board (see "Before Replacing 64XX System Boards" in topic 2.1 ).

## 2.6 Display (64XX)

If the screen is rolling, replace the display assembly. If that does not correct the problem, replace the system board.

If the screen is not rolling, do the following to run the display self-test:

**Note:** The following test does not work on all ValuePoint displays. If the test does not work, but you suspect the display, replace it. If that does not solve the problem, reinstall the original display, then replace the system board.

1. Power-off the computer and display.
2. Disconnect the display signal cable.
3. Power-on the display.
4. Turn the brightness and contrast controls to their maximum setting.
5. Check for the following conditions:
  - You should be able to vary the screen intensity by adjusting the contrast and brightness controls.
  - The screen should be white or light gray, with a black margin (test margin) on the screen.

**Note:** The location of the test margin varies with the type of display. The test margin might be on the top, bottom, or one or both sides.

If you do not see any test margin on the screen, replace the display. If there is a test margin on the screen, replace the system board.

**Note:** During the first two or three seconds after the display is powered on, the following might occur while the display synchronizes with the computer.

- Unusual patterns or characters
- Static, crackling, or clicking sounds
- A "power-on hum" on larger displays

A noticeable odor might occur on new displays or displays recently removed from storage.

These sounds, display patterns, and odors are normal; do not replace any parts.

If you are unable to correct the problem, go to "Undetermined Problem (64XX)" in topic 2.5.

## 2.7 Installed Devices List (64XX)

Follow the instructions on the screen for the installed devices list.

**Warning:** A customized setup configuration (other than default settings) might exist on the computer you are servicing. Running the Configuration Utility program might alter those settings. Note the current configuration settings and verify that the settings are in place when service is complete.

*If the number of diskette drives shown in the installed devices list is not correct, do the following:*

1. Restart the computer.
2. Run the Configuration Utility program to correct the drive information (see "Diagnostics and Test Information (64XX)" in topic 4.6).
3. Run the diagnostic tests.

If you cannot correct the drive information, replace FRUs, in the following order, until the problem goes away:

- Diskette drive
- Diskette-drive cable
- System board

*If the number of hard disk drives shown in the installed devices list is not correct, do the following:*

1. Check the hard disk drive jumper settings (see "Hard Disk Drive Jumper Settings (64XX)" in topic 4.7).
2. Check the voltages to the hard disk drives (see "Power Supply").
3. Restart the computer and check the configuration.
  - If the first drive is missing, replace the primary drive.
  - If any other drive is missing, replace that drive.
  - If all drives are missing, replace the primary drive.

If the problem remains, replace the drive cable. If that does not fix the problem, replace the system board.

*If any other adapter or device is missing from the installed devices list, run the Configuration Utility program (see "Diagnostics and Test Information (64XX)" in topic 4.6). Check to see if any adapter or device is set to a conflicting address with any other adapter or device. Also be sure that any adapter or device missing from the list is not set to "disabled."*

**Note:** If the device is still missing from the list, run the diagnostics provided with that device. Devices missing from a model 64XX installed devices list cannot be added to the list.

2.8 Memory (64XX)

+---+  
|001|  
+---+

- Power-off the computer.
- Insert the diagnostics diskette into drive A.
- Power-on the computer.
- Make a note of any POST errors you receive. Disregard 164 errors (memory size).

**DID YOU RECEIVE A 2XX POST ERROR?**

Yes No

|  
+---+  
|002|  
+---+

**DID THE COMPUTER BOOT FROM THE DIAGNOSTIC DISKETTE AND DID THE IBM HARDWARE DIAGNOSTIC LOGO SCREEN APPEAR?**

Yes No

|  
+---+  
|003|  
+---+

- You might have to press **Esc** to continue.
- Select "Test the System." Run the memory tests. (Use the **RUN TESTS ONE TIME** option.)
  - Continue with the question in Step 004.
  - or -
- If the computer did not boot from the diagnostic diskette with the IBM hardware diagnostic logo screen displayed, go to "Symptom-to-FRU Index (64XX)" in topic 2.9.

+---+  
|004|  
+---+

- Select "Test the System." Run the memory tests. (Use the **RUN TESTS ONE TIME** option.)

**DID THE MEMORY TESTS FINISH WITHOUT AN ERROR?**

Yes No

|  
+---+  
|005|  
+---+

Follow the instructions on the display. If there are no instructions on the display, go to Step 007.

+---+  
|006|  
+---+

Your computer memory is now functioning correctly. If you suspect an intermittent problem, start an error log (see "Error Log" in topic 3.14.4).

+---+  
|007|  
+---+

Press **Esc** to continue.

- Select "Test the System." Run the memory tests. (Use the **RUN TESTS ONE TIME** option.) If you cannot run the memory test or the test does not find a problem, replace the memory modules, one at a time, until the problem goes away. Refer to "Computer Memory" in topic 2.8.1. When the problem goes away, replace the last memory module removed. If that does not fix the problem, replace the system board.

Subtopics

2.8.1 Computer Memory

2.8.2 ValuePoint Memory Module Chart

### 2.8.1 Computer Memory

Four 72-pin connectors are available to add memory modules. Memory modules supported are 4MB, 8MB, 16MB, and 32MB with a maximum of 128MB. Memory module speed supported is 70 ns.

**Notes:**

1. QAPLus/WIN for ValuePoint and most applications do not recognize more than 64MB of memory.
2. A memory module must be installed in memory module connector 1 at all times. Additional memory modules must be installed in connector 2, then in connector 3, then in connector 4.
3. Smaller size memory modules must be installed into lower numbered memory module connectors. For example, to install two 4MB memory modules with two 8MB memory modules, the 4MB memory modules must be installed in memory module connectors 1 and 2 and the 8MB memory modules in memory module connectors 3 and 4.



2.8.2 ValuePoint Memory Module Chart

FRU Number	Size and Speed	6 3 8 1 S	6 3 8 2 S	6 3 8 4	6 3 8 4 D	P 6 0	6 3 8 7	6 4 X X
60G2950	16-70ns	X	X		X	X	X	X
64F3606	8-70ns		X	X	X		X	
64F3607	8-80ns		X	X	X		X	
73G3233	4-70ns	X				X		X
73G3234	8-70ns					X		X
73G3235	32-70ns					X		
92F0102	2-70ns		X	X	X		X	
92F0103	2-80ns		X	X	X		X	
92F0104	2-85ns		X	X	X		X	
92F0105	4-70ns		X	X	X		X	
92F3337	4-80ns		X	X	X		X	
93F0058	1-80ns			X				
96F9289	4-80ns			X				
71G0801	32-70ns							X

2.9 Symptom-to-FRU Index (64XX)

The Symptom-to-FRU Index lists error symptoms and possible causes. The most likely cause is listed first. Always begin with "General Checkout (64XX)" in topic 2.4. This index can also be used to help you decide which FRUs to have available when servicing a computer. If you are unable to correct the problem using this index, go to "Undetermined Problem."

**Notes:**

1. If you have both an error message and an incorrect audio response, diagnose the error message first.
2. If you cannot run the diagnostic tests, but did receive a POST error message, diagnose the POST error message.
3. If you did not receive any error message, look for a description of your error symptoms in the first part of this index.
4. Check all power supply voltages before you replace the system board. (See "Power Supply" on page 6 in the PS/ValuePoint *Hardware Maintenance Manual*.)
5. Check the hard disk drive jumper settings before you replace a hard disk drive. (See "Hard Disk Drive Jumper Settings (64XX)" in topic 4.7.)

```
+--- Important -----+
|
| 1. For all 64XX models, some errors are indicated with a series of
|    beep codes (see "Beep Code Index (64XX)" in topic 2.9.1).
|
| 2. For all 64XX models, the processor is a separate FRU from the
|    system board; the processor is not included with the system board
|    FRU (see "Before Replacing 64XX System Boards" in topic 2.1).
|
| 3. The 486DX4 processor FRU consists of the processor and a voltage
|    regulator. See "How to Diagnose 64XX system boards with 486DX4
|    Processors" in topic 2.3 before replacing the system board on
|    models with this processor installed.
|
+-----+
```

Subtopics

- 2.9.1 Beep Code Index (64XX)

2.9.1 Beep Code Index (64XX)

**Important**

In the following Beep Code Index, the numbers indicate the sequence and number of beeps. For example, a "2-3-2" error symptom (a burst of two beeps, three beeps, then a burst of two beeps) indicates a memory module problem. (Continue with the Symptom-to-FRU index below for other beep/no-beep symptoms.)

Beep Code	FRU/Action
1-3-1, 1-3-2	Memory Module System Board
1-4-4	Keyboard System Board
2-1-1, 2-1-2	Run Setup System Board
2-2-2	Video Card System Board
2-3-2	Memory Module System Board
2-4-3, 2-4-4	Run Setup Memory Module System Board
All other beep code sequences	System Board

In the following index, an "X" in an error message can represent any number.

Symptom/Error	FRU/Action
No power, or fan not running	See "Power Supply"
No beep during POST but computer works correctly	System Board
No beep during POST	See "Undetermined Problem (64XX)" in topic 2.5. System Board Memory Module Any Adapter or Device Riser Card Power Cord Power Supply
One long and two short beeps during POST	System Board
Three short beeps during POST	See "Computer Memory" in topic 2.8.1 System Board
Continuous beep	System Board
Repeating short beeps	Keyboard (stuck key?) Keyboard Cable System Board
Changing colors	Display
Intensity or color varies from left to right of characters and color bars	Display System Board
Flashing cursor with an otherwise blank display	System Board Primary Hard Disk Drive Hard Disk Drive Cable
Other display symptoms not listed above (including blank or illegible display)	See "Display (64XX)" in topic 2.6. System Board Display

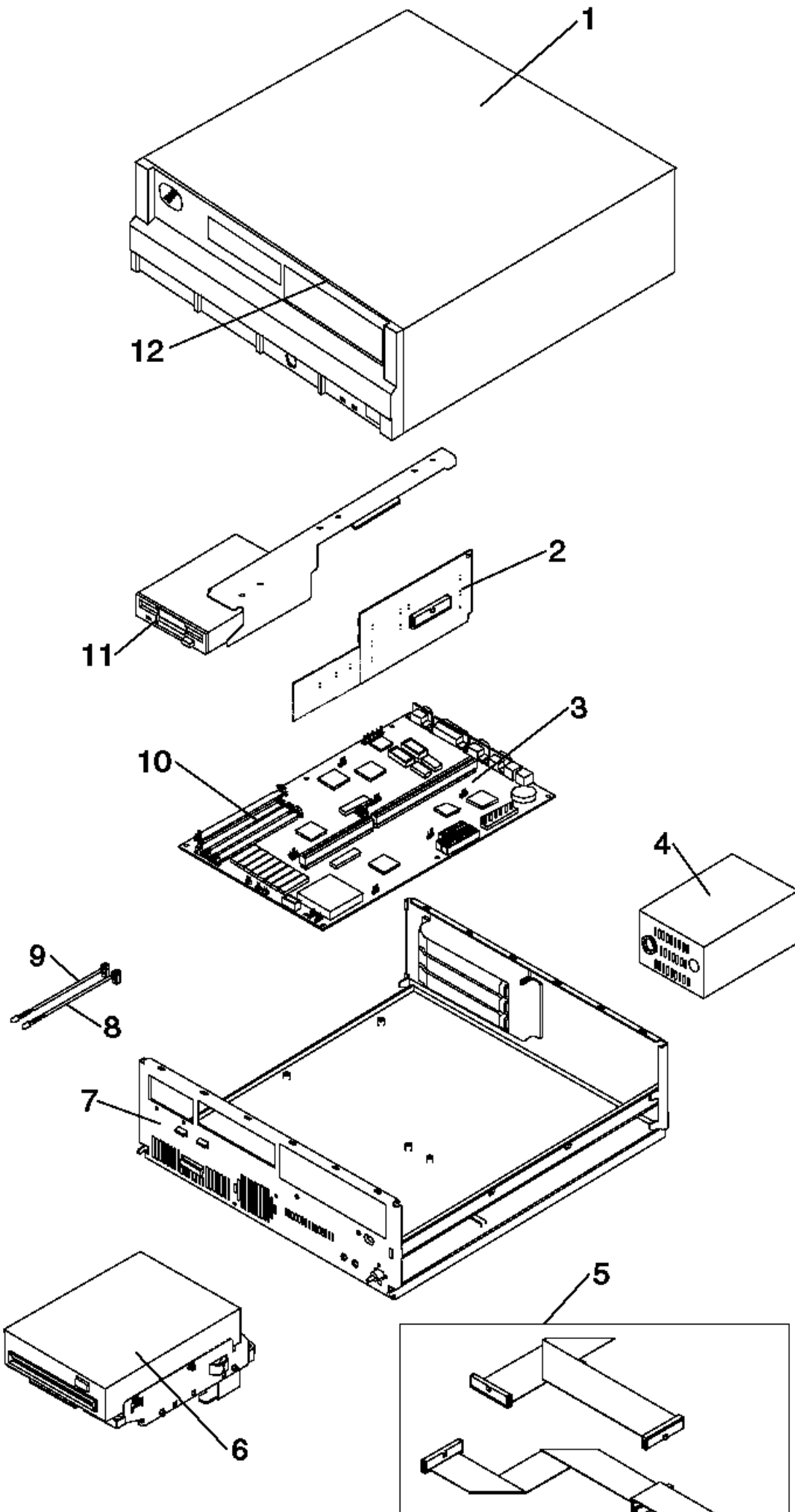
Power-on indicator or hard disk drive in-use light not on, but computer works correctly	<b>Power Supply</b> System Board LED Cables
Diskette drive in-use light remains on or does not light when drive is active	<b>Diskette Drive</b> System Board Diskette Drive Cable
The "Insert a Diskette" icon appears with a known-good diagnostics diskette in the first 3.5-inch diskette drive	<b>Diskette Drive</b> System Board Diskette Drive Cable Network Adapter
Program loads from the hard disk with a known-good diagnostics diskette in the first 3.5-inch diskette drive	<b>Check Configuration Utility</b> Diskette Drive Diskette Drive Cable System Board Power Supply
A nonsystem disk or disk error-type message with a known-good diagnostic diskette	<b>Diskette Drive</b> System Board Diskette Drive Cable
Cannot read a 5.25-inch diskette	<b>The button on the PS/VP 5.25-inch diskette drive bezel must be pressed after inserting a diskette.</b>
Incorrect memory size during POST	<b>See "Memory (64XX)" in topic 2.8.</b> Memory Module System Board
Printer problems	<b>See "Printer."</b>
Serial or parallel port device failure (system board port)	<b>External Device Self-Test OK?</b> External Device Cable System Board
Serial or parallel port device failure (adapter port)	<b>External Device Self-Test OK?</b> External Device Cable Alternate Adapter System Board Riser Card
Some or all keys on the keyboard do not work	<b>Keyboard</b> Keyboard Cable System Board
Clock Battery inaccurate	<b>Clock Battery</b> System Board
<b>110</b>	<b>Follow screen instructions</b> Memory Module System Board
<b>161</b>	<b>Run Configuration Utility</b> Clock Battery System Board
<b>162</b> (and unable to run diagnostics)	<b>Diskette Drive</b> System Board Diskette Drive Cable
<b>162</b>	<b>Run Configuration Utility</b> Clock Battery System Board
<b>163</b>	<b>Time and Date Set?</b> Clock Battery System Board
<b>164</b>	<b>Run Configuration Utility</b> See "Memory (64XX)" in topic 2.8. System Board
<b>199</b>	<b>See "Installed Devices List (64XX)" in topic 2.7.</b>

1XX (not listed above)	System Board
225	Unsupported Memory
2XX	See "Memory (64XX)" in topic 2.8. Memory Module System Board
303 (with an 8603 error)	Mouse Keyboard Keyboard Cable System Board
303 (with no 8603 error)	Keyboard Keyboard Cable System Board
305	System Board Keyboard Keyboard Cable Mouse
3XX (not listed above)	Keyboard Keyboard Cable System Board
604 (and unable to run diagnostics)	Diskette Drive A Diskette Drive Cable System Board
604 (and able to run diagnostics)	Diskette Drive B Diskette Drive Cable System Board
662	Wrong diskette drive type
663	Wrong media type
6XX (not listed above)	Diskette Drive System Board External Drive Adapter Diskette Drive Cable Power Supply
7XX	Math Coprocessor System Board
9XX	System Board
1047	16-bit AT SCSI Fast Adapter
10XX (not listed above)	Alternate Parallel Adapter Riser Card
11XX	System Board
12XX	Alternate Serial Adapter Riser Card
13XX (A properly functioning joystick or paddle must be attached)	Game Control Adapter Riser Card
14XX	See "Printer" on page 9 in the <i>PS/ValuePoint Hardware Maintenance Manual.</i>
15XX	SDLC Communications Adapter Riser Card
17X0 (1st Disk Drive) 17X1 (2nd Disk Drive) 17X2 (3rd Disk Drive) 17X3 (4th Disk Drive)	See "Power Supply." Hard Disk Drive System Board Hard Disk Cable Power Supply
209X	Diskette Drive Diskette Cable 16-bit AT SCSI Fast Adapter
20XX	BSC Adapter

**Type 63XX, 64XX IBM PS/ValuePoint HMM - 07/96**  
**Beep Code Index (64XX)**

(not listed above)	Riser Card
21XX	SCSI Device 16-bit AT SCSI Fast Adapter Alternate BSC Adapter Riser Card
2401, 2402	System Board Display
2409	Display
2410	System Board
30XX	PC Network Adapter LF Translator Cable Problem? Riser Card
31XX	Alternate PC Network Adapter LF Translator Cable Problem? Riser Card
86XX	Mouse System Board
12902	Run Diagnostics System Board
12904	Run Diagnostics L2 Cache Adapter
I9990301 (Hard disk reset failure)	Possible hard disk drive problem
I9990305 (No startable device found)	Restart computer from diskette or check for valid startup sequence System Board
I999XXXX (not listed above) (There is an optional SCSI adapter installed)	SCSI Hard Disk Drive SCSI Adapter SCSI Cable

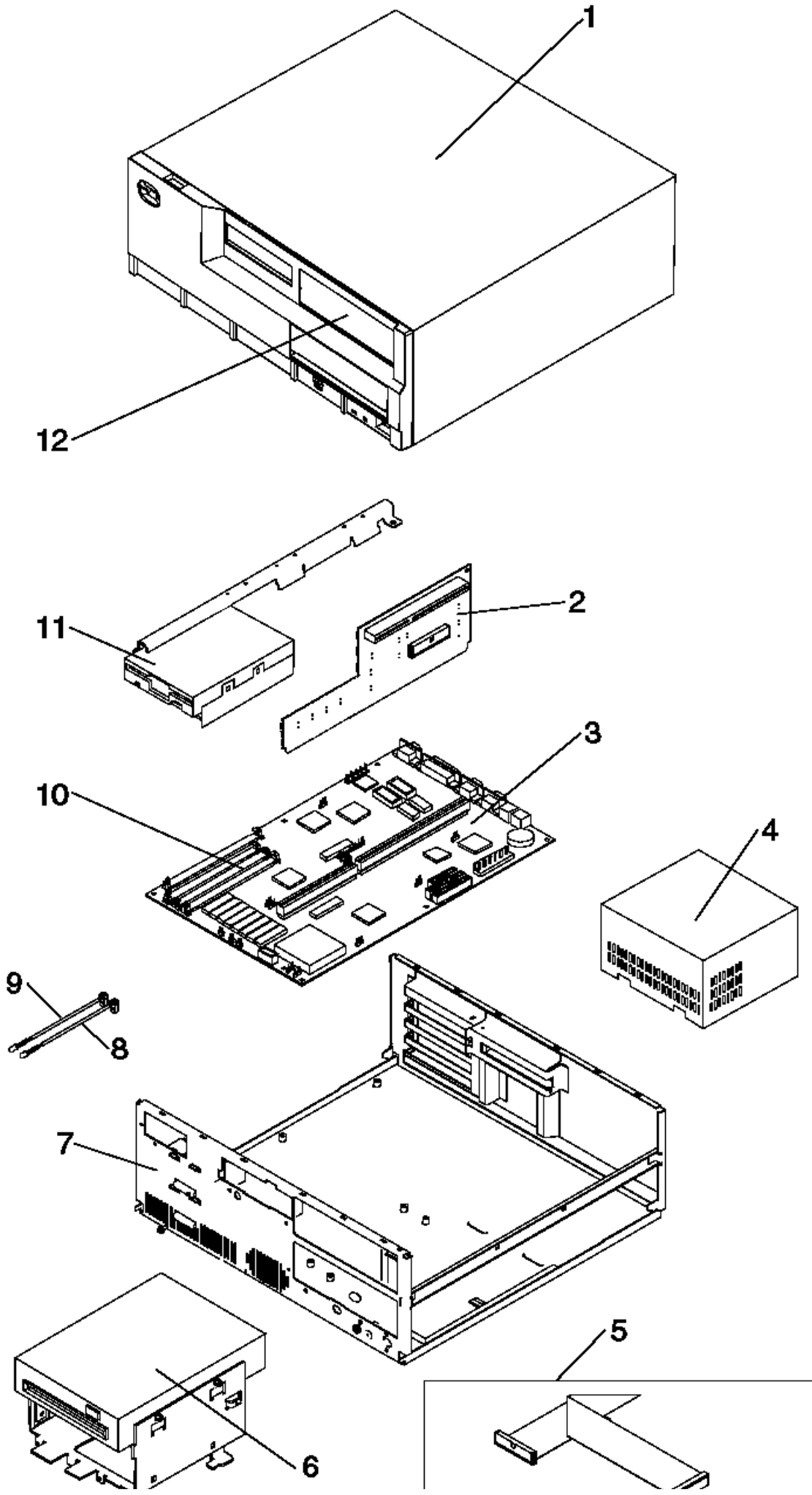
2.10 Type 6472 Parts





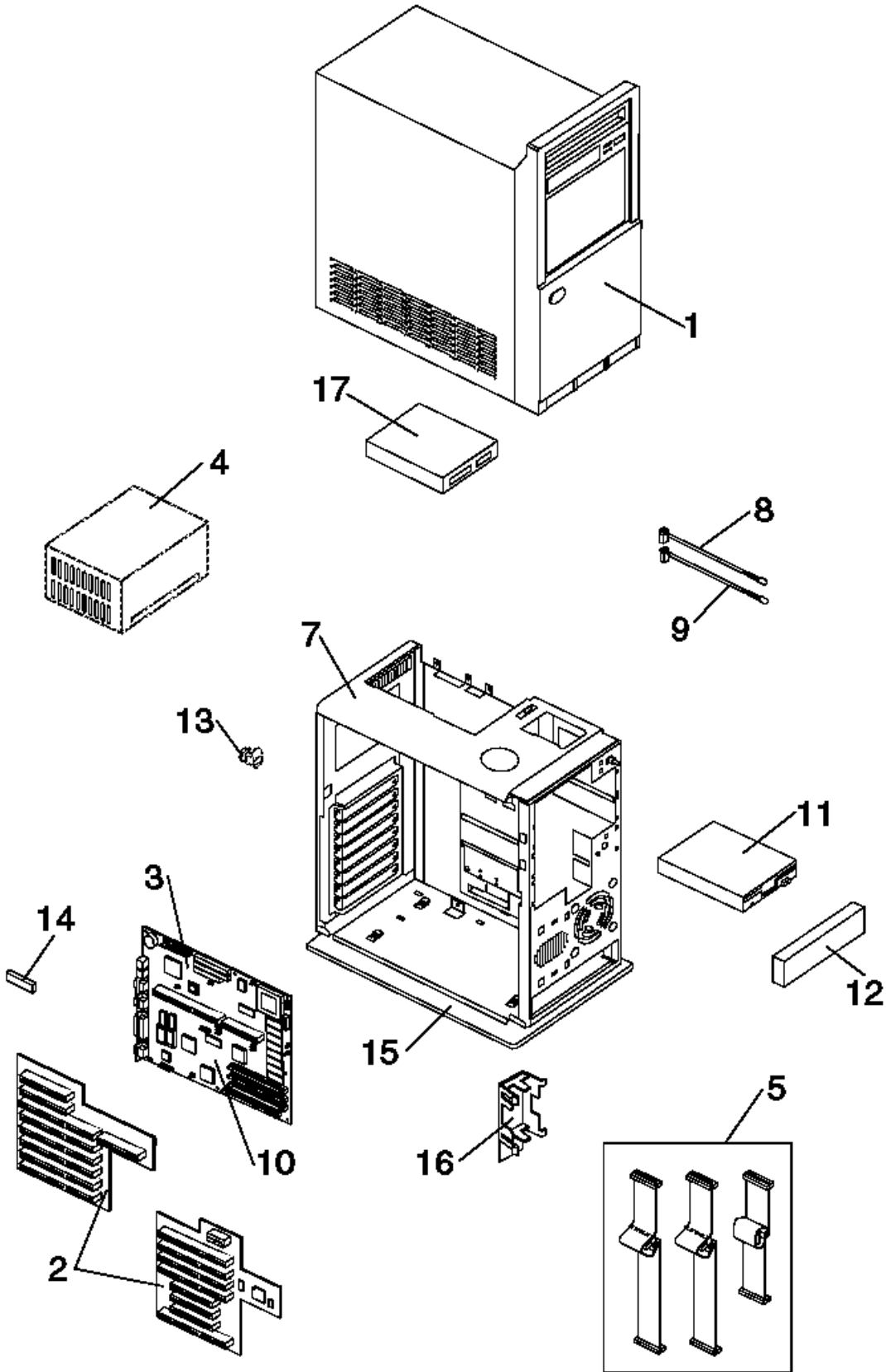


2.11 Type 6482, 6484 Parts





2.12 Type 6492, 6494 Parts



64XX Parts Listing

**Note:** Not all parts in this listing apply to all countries.  
 (R) indicates restricted parts.

Index	System Unit	
1	Top Cover Assembly (6472)	92F0414
1	Top Cover Assembly (6482, 6484)	92F0410
1	Top Cover Assembly (6492, 6494)	61G2169
	Logo (R)	06H3159
	Power Button (6472, 6482, 6484)	61G3204

Power Button (6492, 6494)	61G3205
Front Bezel w/ labels (6472)	06H3196
Front Bezel w/ labels (6482, 6484)	06H3197
Front Bezel w/ labels (6492, 6494)	06H3198
Foot (4)	93F2386
2 Riser Card (6472)	06H3095
2 Riser Card (6482)	06H3096
2 Riser Card PCI (6484)	82G3555
2 Riser Card (6492)	06H3097
2 Riser Card PCI (6494)	82G3563
3 System Board (no memory or processor) (64XX SX, DX, and DX2 Models)	82G2397
3 System Board (no memory or processor) (64XX DX4 50/100 Models)	06H6355
Processors	
486SX 25Mhz	71G0790
486SX 33Mhz	71G0791
486SX2 25/50Mhz	71G0792
486DX 33Mhz	71G0793
486DX2 25/50Mhz	71G0794
486DX2 33/66Mhz	71G0795
486DX4 50/100Mhz	71G0796
Lithium Battery - CR2032	33F8354
L2 Cache 128KB	92G7430
L2 Cache 256KB	92G7431
Video DRAM, 1MB 16ns	92G7432
Jumper, 2 position - 4 pack	93F0067
EMC Clips - 7 pack	92F0420
EMC Clips - 3 pack (6492, 6494)	61G3206
4 100 W Power Supply (6472)	92F0415
4 200 W Power Supply (6482, 6484)	92F0411
4 250 W Power Supply (6492, 6494)	82G5874
5 Diskette Drive Cable	92F0423
5 Hard Disk Drive Cable	92F0424
7 Base Frame Assembly (6472) (R)	92F0416
7 Base Frame Assembly (6482, 6484) (R)	92F0412
7 Base Frame Assembly (6492, 6494) (R)	92F0422
Adapter Card Guides (2) (6472, 6482, 6484)	52G8746
Speaker	92F0421
8 LED and Cable, Power	93F2389
9 LED and Cable, Hard Disk Drive	93F2388
10 72-Pin Memory Module, 4MB (70 ns)	73G3233
72-Pin Memory Module, 8MB (70 ns)	73G3234
72-Pin Memory Module, 16MB (70 ns)	60G2950
72-Pin Memory Module, 32MB (70 ns)	73G3135
Cover Lock w/ pawl (6472, 6482, 6484)	52G8744
13 Cover Lock w/ pawl (6492, 6494)	61G2177
14 Riser Card Support Clip (6492, 6494)	61G2365
15 Base Stand (6492, 6494)	61G2174
16 Adapter Card Guide (2) (6492, 6494)	61G2173
Miscellaneous Parts Kit	53G0387
Hardware Kit (Type 2 system board)	82G5894

**Index DASD**

6	5.25-in. 1.2MB Diskette Drive (optional)	82G1824
11	3.5-in. 1.44MB Diskette Drive	93F2361
11	3.5-in. 2.88MB Diskette Drive	82G1887
	3.5-in. Blank Drive Bezel (6472, 6482, 6484)	92F0419
	3.5-in. Blank Drive Bezel (6492, 6494)	06H3201
	3.5-in. Tray / Riser Support (6472)	61G2175
	3.5-in. Tray / Riser Support (6482, 6484)	71G6112
	3.5-in. Adapter Guide Holder (6492, 6494)	52G8746
	Hard Disk Drive Mounting Screws (4)	93F0041
12	5.25-in. Blank Bezel (6472, 6482, 6484)	06H3199
12	5.25-in. Blank Bezel (6492, 6494)	06H3200
12	Blank Drive Bezel (6492, 6494)	82G1875
	5.25-in. Diskette Drive Tray (6472)	71G6111
	5.25-in. Diskette Drive Tray (6482, 6484)	71G6113
	5.25-in. Diskette Drive Tray (6492, 6494)	61G3207
	5.25-in. to 3.5-in. Tray Conversion Kit	70G8165
17	170MB Hard Disk Drive	71G4958
17	270MB Hard Disk Drive	82G5926
17	340MB Hard Disk Drive	92F0404
17	364MB Hard Disk Drive	82G5927
17	527MB Hard Disk Drive	82G3300
17	540MB Hard Disk Drive	82G5928
17	728MB Hard Disk Drive	82G5929

**Multimedia**

CD ROM Drive	61G4109
--------------	---------

Jazz 16	06H3086
Audio/Data Cable	06H3085

**Communication Adapters**

Ethernet Adapter (twisted pair)	92F0386
Ethernet Adapter (coaxial)	92F0387
Token Ring Adapter	03F0212

**Keyboard Cable and Mouse**

Keyboard Cable Assembly 0.9 m (3 ft.)	61X8898
Keyboard Parts Kit	33F8174
Mouse	33G5420
Mouse (6381, 6384 P60/D, 64XX)	96F9258
-- Mouse Ball and Pop-Off Retainer	33F8461
-- Mouse Ball and Twist-Off Retainer	33F8462
-- Mouse Ball and Clip (6381, 6384 P60/D)	96F9279

**Keyboards**

Arabic	1391490
Belgian	1391414
Belgian/French	1391526
Brazil (6381, 6384 P60/D, 64XX)	61G3976
Bulgarian	1399583
Canadian French	1392022
Canadian French (attached cable)	92F0334
Czechoslovakian	1399570
Cyrillic	1393866
Danish	1391407
Dutch	1391511
Finnish/Swedish	1391411
French	1391402
German	1391403
Greek	1399046
Hebrew	1391408
Hungarian	1399581
Italian	1393395
Latin-American Spanish	1392025
Latin-American Spanish (attached cable)	92F0333
Latin-American Spanish (6381, 6384 P60/D)	61G3976
Norwegian	1391409
Polish	1399580
Portuguese	1391410
Portuguese (6381, 6384 P60/D, 64XX)	61G3976

Romanian	1399582
Russian/Cyrillic	1399579
Serbian/Cyrillic	1399578
Slovakian	1399571
Spanish	1391405
Swedish/Finnish	1391411
Swiss	1391412
Swiss/French	1395881
Swiss/German	1395882
Turkish	1393286
U.K. English	1391406
U.S. English	1392090
U.S. English (attached cable)	92F0332
U.S. English (E/ME/A only)	1396790
Yugoslavian	1393669

**Displays**

**6312 Color Display**

90/137 V ac (U.S. and Canada)	39G3321
180/264 V ac (Northern Hemisphere)	39G3322
180/264 V ac (Equatorial)	39G3323
180/264 V ac (Southern Hemisphere)	39G3494
Tilt/Swivel Stand	39G3496

**6314 Color Display**

98/264 V ac (U.S. and Canada)	39G3352
98/264 V ac (Northern Hemisphere)	39G3353
98/264 V ac (Equatorial)	39G3454
98/264 V ac (Southern Hemisphere)	39G3498
Tilt/Swivel Stand	39G3502
Signal Cable	39G3331

**6317 Color Display**

98/264 V ac (U.S. and Canada)	39G3359
98/264 V ac (Northern Hemisphere)	39G3360
98/264 V ac (Southern Hemisphere)	39G3361

**6319 Color Display**

98/264 V ac (U.S. and Canada)	39G3385
98/264 V ac (Northern Hemisphere)	39G3386
98/264 V ac (Equatorial)	39G3387
98/264 V ac (Southern Hemisphere)	39G3500



Tilt/Swivel Stand	39G3503
Signal Cable	39G3331

**6321 Color Display**

98/264 V ac (U.S. and Canada)	72G8785
ITC Assembly for 72G8785	72G8784
Card Assembly for 72G8785	72G8783
Card Tray for 72G8785	68G3011

**6324 Color Display**

98/264 V ac (U.S. and Canada)	68G1356
ITC Assembly for 68G1356	68G1419
Card Tray Assembly for 68G1356	39G6257

**6325 Color Display**

98/264 V ac (U.S. and Canada)	68G1443
ITC Assembly for 68G1443	39G6292
Card Tray Assembly for 68G1443	68G1321

**6327 Color Display**

98/264 V ac (U.S. and Canada)	39G3362
ITC Assembly for 39G3362	72G8486
Card Tray Assembly for 39G3362	72G8489

**Power Cords**

Arabic Countries	14F0033
Australia	93F2365
Belgium	13F9979
Bulgaria	13F9979
Canada	93F2364
Czechoslovakia	13F9979
Denmark	13F9997
Finland	13F9979
France	13F9979
Germany	13F9979
Hungary	13F9979
Israel	14F0087
Italy	14F0069
Latin-America	93F2366
Netherlands	13F9979
New Zealand	93F2365

Norway	13F9979
Poland	13F9979
Portugal	13F9979
Serbia	13F9979
Slovakia	13F9979
South Africa	14F0015
Spain	13F9979
Switzerland	13F9979
Switzerland (French, German)	14F0051
U.S.	93F2364
UK, Ireland	14F0033
Yugoslavia	13F9979
<b>Display Power Cord</b>	<b>38F3908</b>

Subtopics

2.12.1 Special Tools

2.12.1 *Special Tools*

The following special tools are required to service these computers:

- A meter similar to the Triplet (\*\*\*) Model 310  
(IBM P/N 9900167)
- Wrap Plug, IBM P/N 72X8546

(\*\*\*) Trademark of the Triplet Corporation

3.0 Hardware Maintenance Reference (63XX)

This section contains general product and diagnostic information and covers the following:

Subtopics

- 3.1 Moving the Computer (63XX)
- 3.2 6382/S, 6384/D, 6387/T System Boards
- 3.3 Product Description (63XX)
- 3.4 Specifications (6381)
- 3.5 Specifications (6382)
- 3.6 Specifications (6384)
- 3.7 Specifications (6387)
- 3.8 Hard Disk Drive Specifications (63XX)
- 3.9 Hardware Compatibility (63XX)
- 3.10 Power-On Password (63XX)
- 3.11 Configuration Utility Program (63XX)
- 3.12 Computer Memory
- 3.13 6381 Memory Module Strategy
- 3.14 Diagnostics and Test Information (6381, 6382, 6384, 6387)
- 3.15 Diagnostics and Test Information (6384 P60/D)
- 3.16 Hard Disk Drive Jumper Settings
- 3.17 Computer Exploded View (6381)
- 3.18 Computer Exploded View (6382)
- 3.19 Computer Exploded View (6384)
- 3.20 Computer Exploded View (6387)
- 3.21 System Board Layouts (63XX)
- 3.22 System Board Connector Assignments (63XX)
- 3.23 PS/VP Computer Features (63XX)

*3.1 Moving the Computer (63XX)*

The PS/ValuePoint computer top-cover assembly slides onto the base frame and is held in place by the cover-release latch (or latches) and cover lock. Before moving the computer, make sure that the cover is latched and the cover lock is in the locked position.

3.2 6382/S, 6384/D, 6387/T System Boards

+--- **Important** -----+  
| 6382 /S, 6384 /D, and 6387 /T Type 2 system boards are longer than |  
| type 1 system boards. When replacing a system board, replace type 1 |  
| only with type 1 and type 2 only with type 2. |  
+-----+

### 3.3 Product Description (63XX)

PS/ValuePoint Type 6381 and 6382 /S computers contain three drive bays and three I/O adapter card slots. PS/ValuePoint Type 6384, 6384 /D, and 6384 P60/D computers contain five drive bays and five I/O adapter card slots. Type 6387 /T computers contain six drive bays and eight I/O adapter card slots.

#### □ **Security**

- Power-on password

#### □ **System Board (Type 6381 SX)**

- 8KB internal cache, no external cache
- 4MB RAM pre-installed on the system board.  
RAM is installed directly onto the system board using industry standard, 72-pin, 70 ns parity memory modules. There are four sockets to allow a maximum of 64MB (2MB, 4MB, 8MB, and 16MB memory modules are supported). Refer to "Computer Memory" in topic 3.12.
- 512KB of video memory (DRAM) is standard on the system board. Four video DRAM sockets allow a maximum of 1MB of video DRAM
- Ports include: two serial, one parallel, one keyboard, one mouse, and one video
- Connectors for AT riser card (120-pin), input power (12-pin), AT diskette drives (34-pin), AT hard disk drives (40-pin), power LED (2-pin), hard disk LED (2-pin), beeper (2-pin), and video feature (26-pin)
- Lithium battery

#### □ **System Board (Type 6381 DX and DX2)**

- 8KB internal cache
- Field upgradeable to 128KB or 256KB external cache
- Built-in math coprocessor
- 4MB RAM pre-installed on the system board. RAM is installed directly onto the system board using industry standard, 72-pin, 70 ns parity memory modules. There are four sockets to allow a maximum of 64MB (2MB, 4MB, 8MB, and 16MB memory modules are supported). Refer to "Computer Memory" in topic 3.12.
- 512KB of video memory (DRAM) is standard on the system board. Four video DRAM sockets allow a maximum of 1MB of video DRAM
- Ports include: two serial, one parallel, one keyboard, one mouse, and one video
- Connectors for AT riser card (120-pin), input power (12-pin), AT diskette drives (34-pin), AT hard disk drives (40-pin), power LED (2-pin), hard disk LED (2-pin), beeper (2-pin), and video feature (26-pin)
- Lithium battery

#### □ **System Board (Type 6382 /S and 6384 /D)**

Models 425SX /S, 425SX /D, 433SX /S, 433SX /D, 433DX /S, 433DX /D, 466DX2 /S, and 466DX2 /D:

- DX and DX2 models have a built-in math coprocessor
- Supports 8KB internal cache and 128KB or 256KB external cache. (External cache is standard on 466DX2 /S and 466DX2 /D, and field upgradeable on 425SX /S, 425SX /D, 433SX /S, 433SX /D, 433DX /S, and 433DX /D)
- RAM is installed directly onto the system board using industry standard, 72-pin, 70 to 85 ns memory modules. There are four sockets to allow a maximum of 64 MB (2MB, 4MB, 8MB, and 16MB memory modules are supported). Refer to "Computer Memory" in topic 3.12.
- 1 MB of Video memory (DRAM) is soldered on the system board. Two video DRAM sockets allow a maximum of 2MB of video DRAM
- Ports include: two serial, one parallel, one keyboard, one mouse, and one video
- Connectors for AT riser card (120-pin with a 112-pin local bus extension), input power (12-pin), AT diskette drives (34-pin), AT hard disk drives (40-pin), power LED (2-pin), hard disk LED (2-pin), speaker (2-pin), and video feature (26-pin)
- Lithium battery

#### □ **System Board (Type 6384)**

Model 325T:

- 2MB computer memory and 1MB video memory (DRAM) soldered on system board
- Math coprocessor socket
- Two 72-pin computer memory sockets (accepts 70 to 85 ns). Maximum Memory = 16MB. Refer to "Computer Memory" in topic 3.12.
- Ports include: one serial, one parallel, one keyboard, one mouse, and one video
- Connectors for AT (\*) riser card (120-pin), input power (12-pin), AT diskette drives (34-pin), AT hard disk drives (40-pin), power LED (2-pin), hard disk LED (2-pin), and video feature (26-pin)
- Lithium battery

Model 425SX:

- Math coprocessor socket
- Supports 8KB internal cache. (External cache not supported)
- RAM is installed directly onto the system board using industry-standard, 30-pin, 70 or 80 ns memory modules. There are two banks of four sockets to allow a maximum of 32MB. 1MB and 4MB memory modules are supported. Refer to "System Board Layouts (63XX)" in topic 3.21. Bank 0 or bank 1 must be filled with the same size memory modules to work properly. Refer to "Computer Memory" in topic 3.12.
- 1MB Video memory (DRAM) soldered on the system board
- Ports include: two serial, one parallel, one keyboard, one mouse, and one video
- Connectors for AT riser card (120-pin), input power (12-pin), AT diskette drives (34-pin), AT hard disk drives (40-pin), power LED (2-pin), hard disk LED (2-pin), and video feature (26-pin)
- Lithium battery

Model 433DX (built-in math coprocessor):

- Supports 8KB internal cache and 128KB external cache. (Not field upgradeable)
- RAM is installed directly onto the system board using industry-standard, 30-pin, 70 or 80 ns memory modules. There are two banks of four sockets to allow a maximum of 32 MB (1MB and 4MB memory modules are supported). One or both banks must be filled with the same size memory modules to work properly. Refer to "Computer Memory" in topic 3.12.
- 1 MB of Video memory (DRAM) soldered on the system board

- Ports include: two serial, one parallel, one keyboard, one mouse, and one video
- Connectors for AT riser card (120-pin), input power (12-pin), AT diskette drives (34-pin), AT hard disk drives (40-pin), power LED (2-pin), hard disk LED (2-pin), and video feature (26-pin)
- Lithium battery

Model 466DX2 (built-in math coprocessor):

- Supports 8KB internal cache and 128KB external cache. (Not field upgradeable)
- RAM is installed directly onto the system board using industry-standard, 30-pin, 70 or 80 ns memory modules. There are two banks of four sockets to allow a maximum of 32 MB (1MB and 4MB memory modules are supported). One or both banks must be filled with the same size memory modules to work properly. Refer to "Computer Memory" in topic 3.12.
- 1 MB of Video memory (DRAM) soldered on the system board
- Ports include: two serial, one parallel, one keyboard, one mouse, and one video
- Connectors for AT riser card (120-pin), input power (12-pin), AT diskette drives (34-pin), AT hard disk drives (40-pin), power LED (2-pin), hard disk LED (2-pin), and video feature (26-pin)
- Lithium battery

□ **System Board (Type 6384 P60/D)**

Model Pentium

- Pentium models have a built-in math coprocessor
- Supports 16KB internal cache and 256KB external cache (standard)
- RAM is installed directly onto the system board using industry standard, 72-pin, 70 ns memory modules. There are four sockets to allow a maximum of 128 MB (4MB, 8MB, 16MB, and 32MB memory modules are supported). Refer to "Computer Memory" in topic 3.12.
- 1 MB of Video memory (DRAM) is soldered on the system board. Two video DRAM sockets allow a maximum of 2MB of video DRAM
- Ports include: two serial, one parallel, one keyboard, one mouse, and one video
- Connectors for AT riser card (120-pin without a local bus extension), input power (12-pin), AT diskette drives (34-pin), AT hard disk drives (40-pin), power LED (2-pin), hard disk LED (2-pin), speaker (2-pin), and video feature (26-pin)
- Lithium battery

□ **System Board (Type 6387 /T)**

Models 433DX /T and 466DX2 /T:

- DX and DX2 models have a built-in math coprocessor
- Supports 8KB internal cache and 128KB or 256KB external cache. (466DX2 /T has 128KB external cache standard and is field upgradeable to 256KB. 433DX /T has no standard external cache, but is field upgradeable to 128KB or 256KB external cache.)
- RAM is installed directly onto the system board using industry standard, 72-pin, 70 to 85 ns memory modules. There are four sockets to allow a maximum of 64 MB (2MB, 4MB, 8MB, and 16MB memory modules are supported). Refer to "Computer Memory" in topic 3.12.
- 1 MB of Video memory (DRAM) is soldered on the system board. Two video DRAM sockets allow a maximum of 2MB of video DRAM
- Ports include: two serial, one parallel, one keyboard, one mouse, and one video
- Connectors for AT riser card (120-pin with a 112-pin local bus extension), input power (12-pin), AT diskette drives (34-pin), AT hard disk drives (40-pin), power LED (2-pin), hard disk LED (2-pin), speaker (2-pin), and video feature (26-pin)
- Lithium battery

□ **Power Supplies** (with CPU power switch)

- PS/ValuePoint computers have either a 100-W, 145-W, or 200-W universal voltage power supply with a fan and a connector for a detachable grounded 3-wire power cord. The power cable has five DASD connectors (one 3.5-inch diskette drive minipower connector, and four standard 4-pin power connectors).

When the computer is powered off for 10 seconds or more and then powered on, the power supply generates a "power good" signal that resets the computer logic.

□ **Cables**

- One signal cable for hard disk drives and one signal cable for diskette drives

□ **Diskette Drives**

- 3.5-inch 1.44MB Slimline diskette drive in all models
- 5.25-inch 1.2MB diskette drive (optional)

□ **Hard Disk Drives**

Hard disks are 3.5-inch Slimline AT drives with 18 ms average access time.

- 80MB with 32KB of "look-ahead" cache
- 120MB with 64KB of "look-ahead" cache
- 170MB with 32/64KB of "look-ahead" cache
- 212MB with 64KB of "look-ahead" cache
- 245MB with 64KB of "look-ahead" cache
- 340MB with 96KB of "look-ahead" cache
- 420MB with 64KB of "look-ahead" cache
- 527MB with 256KB of "look-ahead" cache

□ **Keyboard**

- Enhanced 101- or 102-key keyboard with 1.8 m (6 ft.) cable

□ **Mouse** with 1.8 m (6 ft.) cable

(\* ) Trademark of the IBM Corporation.



### 3.4 Specifications (6381)

(Minimum configuration)

System Unit Size:

- Width: 360 mm (14.2 in.)
- Depth: 420 mm (16.5 in.)
- Height: 122 mm (4.8 in.)

System Unit Weight:

- 8.1 kg (17.8 lb)

Environment:

- Temperature (System Unit and Display)
  - Power on: 10 to 35 degrees C (50 to 95 degrees F)
  - Power off: 10 to 43 degrees C (50 to 110 degrees F)
- Humidity (System Unit and Display)
  - Power on: 8% to 80%
  - Power off: 8% to 80%
- Maximum altitude: 2134 m (7000 ft.)

Heat output:

- 120 BTU/hr

Electrical:

- Input voltage (sinewave input is required)
  - Low Range
    - Minimum: 90 V ac
    - Maximum: 137 V ac
  - High Range
    - Minimum: 180 V ac
    - Maximum: 265 V ac

### 3.5 Specifications (6382)

(Minimum configuration)

System Unit Size:

- Width: 360 mm (14.2 in.)
- Depth: 420 mm (16.5 in.)
- Height: 122 mm (4.8 in.)

System Unit Weight:

- 8.1 kg (17.8 lb)

Environment:

- Temperature (System Unit and Display)
  - Power on: 10 to 35 degrees C (50 to 95 degrees F)
  - Power off: 10 to 43 degrees C (50 to 110 degrees F)
- Humidity (System Unit and Display)
  - Power on: 8% to 80%
  - Power off: 8% to 80%
- Maximum altitude: 2134 m (7000 ft.)

Heat output:

- 120 BTU/hr

Electrical:

- Input voltage (sinewave input is required)
  - Low Range
    - Minimum: 90 V ac
    - Maximum: 137 V ac
  - High Range
    - Minimum: 180 V ac
    - Maximum: 265 V ac

### 3.6 Specifications (6384)

(Minimum configuration)

System Unit Size:

- Width: 404 mm (15.9 in.)
- Depth: 420 mm (16.5 in.)
- Height: 147 mm (5.8 in.)

System Unit Weight:

- 9.7 kg (21.4 lb)

Environment:

- Temperature (System Unit and Display)
  - Power on: 10 to 35 degrees C (50 to 95 degrees F)
  - Power off: 10 to 43 degrees C (50 to 110 degrees F)
- Humidity (System Unit and Display)
  - Power on: 8% to 80%
  - Power off: 8% to 80%
- Maximum altitude: 2134 m (7000 ft.)

Heat output:

- 120 BTU/hr

Electrical:

- Input voltage (sinewave input is required)
  - Low Range
    - Minimum: 90 V ac
    - Maximum: 137 V ac
  - High Range
    - Minimum: 180 V ac
    - Maximum: 265 V ac

### 3.7 Specifications (6387)

(Minimum configuration)

System Unit Size:

- Width: 187 mm (7.4 in.)
- Depth: 429 mm (16.9 in.)
- Height: 413 mm (16.3 in.)

System Unit Weight:

- 11.4 kg (25 lb)

Environment:

- Temperature, System Unit and Display
  - Power on: 10 to 32 degrees C (50 to 95 degrees F)
  - Power off: 10 to 43 degrees C (50 to 110 degrees F)
- Humidity, System Unit and Display
  - Power on: 8% to 80%
  - Power off: 8% to 80%
- Maximum altitude: 2134 m (7000 ft.)

Heat output:

- 934 Btu/hr (maximum configuration)

Electrical:

- Input voltage (sinewave input is required)
  - Low Range
    - Minimum: 90 V ac
    - Maximum: 137 V ac
  - High Range
    - Minimum: 180 V ac
    - Maximum: 265 V ac

3.8 Hard Disk Drive Specifications (63XX)

Size (MB)	80	120	170	212	212
Bytes/Sector	512	512	512	512	512
Sectors/Track	17	17	34	38	35
Cylinders	936	984	984	682	989
Heads	16	10	10	16	12
Rotational Speed (RPM)	3600	3524	3600/ 3551	3551	3314
Transfer Rate (Mb/sec)	13.3	6.0	13.3/ 9.0	22-14	17-30/ 19-26
Seek Time (ms):					
Track-to-Track	5.0	3.0	5.0	4.0	4.5
Average	18.5	15.0	18.5	15.0	14.0
Maximum	32.5	27.0	32.5	30.0	29.0
Interleave Factor	1:1	1:1	1:1	1:1	1:1
Recording Method	1, 7 RLL	1, 7 RLL	1, 7 RLL	1, 7 RLL	1, 7 RLL
dc Power:					
+5 V Tolerance	±5%	±5%	±5%	±5%	±5%
+12 V Tolerance	±8%	±8%	±8%	±8%	±8%
Power (W):					
Idle (typical)	2.9	1.8	3.2/ 3.7	3.7	2.0
Seek (typical)	3.2	4.8	3.5/ 3.9	3.9	3.0
Startup (typical)	6.0	10.0	8.3/10.0	10.0	12.0

Size (MB)	245	340	420	527
Bytes/Sector	512	512	512	512
Sectors/Track	31	55/48	56	63
Cylinders	967	1010/ 872	989	1024
Heads	16	6/16	15	16
Rotational Speed (RPM)	3551	3322/ 3600	3314	6300
Transfer Rate (Mb/sec)	22-14	17-30/ 19-26	17-30/ 19-26	24-44
Seek Time (ms):				
Track-to-Track	3.0	4.5	4.5	2.0
Average	15.0	14.0	14.0	9.0
Maximum	27.0	29.0	29.0	20.0
Interleave Factor	1:1	1:1	1:1	
Recording Method	1, 7 RLL	1, 7 RLL	1, 7 RLL	1, 7 RLL
dc Power:				
+5 V Tolerance	±5%	±5%	±5%	±5%
+12 V Tolerance	±8%	±8%	±8%	±8%
Power (W):				
Idle (typical)	3.2	2.0	2.0	7.0
Seek, R/W (typical)	3.3	3.0	3.0	11.0
Startup (typical)	8.0	12.0	12.0	30.5

3.9 Hardware Compatibility (63XX)

PS/ValuePoint computers are designed to maintain compatibility with adapters, devices, and drives which fully support the following interfaces and physically fit into the computer.

Item	Interface
Hard Disk Drives	AT Interface
I/O Adapter Cards	Adapters that are IBM AT compatible and operate at 8MHz
Diskette Drives	AT Interface
Math Coprocessor	Intel**
Processor Upgrade	Intel
Video	Displays: <ul style="list-style-type: none"> <li><input type="checkbox"/> VGA or SVGA (operations at VGA or higher frequencies)</li> <li><input type="checkbox"/> Physical interface compatible with the IBM PS/2* VGA interface</li> </ul> 512KB RAM VGA modes (dependent on computer Video DRAM): <ul style="list-style-type: none"> <li>- 640x480 (256 colors) standard resolution</li> <li>- 800x600 (256 colors) medium-high resolution</li> <li>- 1024x768 (16 colors) high resolution</li> </ul> 1MB RAM VGA modes (dependent on computer Video DRAM): <ul style="list-style-type: none"> <li>- 640x480 (256 colors) standard resolution</li> <li>- 800x600 (256 colors) medium-high resolution</li> <li>- 1024x768 (256 colors) high resolution</li> <li>- 1280x1024 (16 colors) high resolution</li> </ul>
Serial	9-pin connector with RS232D electrical interface
Parallel	Bi-directional
Pointing Device	IBM PS/2-compatible mouse
Keyboard Device	IBM PS/2-compatible enhanced keyboard

( ) ( )

( ) \*\* Trademark of the Intel Corporation.

( ) \* Trademark of the IBM Corporation.

3.10 *Power-On Password* (63XX)

A power-on password denies access to the computer by an unauthorized user when the computer is powered on. When a power-on password is active, the password prompt appears on the screen each time the computer is powered on. The computer starts after the proper password is entered.

Subtopics

3.10.1 *Removing a Power-on Password* (63XX)

3.10.1 Removing a Power-on Password (63XX)

To service a computer with an active and unknown power-on password, power-off the computer and do the following:

**Note:** Remind the user to enter a new password when service is complete.

□ **Type 6381 Computers**

1. Remove the battery for 10 minutes.
2. Reinstall the battery.
3. Power-on the computer. The password is erased from memory.

□ **Type 6384 Computers**

- Model 325T:
  1. Move the jumper on J8 so that it connects the center pin and the pin on the opposite end of the connector.
  2. Power-on the computer. The password is erased from memory. (Leave the jumper in that position until the next time you reset the password.)
- Models 425SX, 433DX, and 466DX2:
  1. Move the jumper on JP8 so that it connects pins 2 and 3.
  2. Apply a momentary short across the two ends of capacitor C17.
  3. Move the jumper on JP8 back to pins 1 and 2. The password is erased from memory.
  4. While holding down both mouse buttons, power-on the computer. Release the mouse buttons when the cursor appears.
  5. When you are finished servicing the machine, run the Configuration Utility program to restore the configuration settings.

□ **Type 6382 /S, 6384 /D, and 6387 /T Computers**

- Models 425SX /S, 425SX /D, 433SX /S, 433SX /D, 433DX /S, 433DX /D, 466DX2 /S, 433DX /T, 466DX2 /T, and 466DX2 /D:

**Note:**

1. Move the jumper on J9 (type 1 system board) or J15 (type 2 system board), so that it connects the center pin and the pin on the opposite end of the connector.
2. Power-on the computer. The password is erased from memory. (Leave the jumper in that position until the next time you reset the password.)

□ **Type 6384 P60/D Computers**

1. Remove the battery for 10 minutes.
2. Reinstall the battery.
3. Power-on the computer. The password is erased from memory.



### 3.11 Configuration Utility Program (63XX)

The Configuration Utility program lets you view and change important hardware configuration information. Use the Configuration Utility program to:

- Restore a customized configuration when service is complete.
- Check the computer configuration when you get an error code and description.
- Check the computer hardware features, such as the amount of memory.
- Verify or make a change when you add a *hardware option*, such as a diskette drive, memory module, or math coprocessor.
- Verify a hardware change when you remove a hardware option.
- Change the computer serial and parallel port settings.
- Set up or change the computer password protection.

#### Subtopics

- 3.11.1 Configuration Utility Screen
- 3.11.2 Starting the Configuration Utility Program
- 3.11.3 Restoring the Default Configuration
- 3.11.4 Restoring a Customized Configuration

### 3.11.1 Configuration Utility Screen

The Configuration Utility screen has two functions:

- View** information about how the computer hardware is set up (*hardware configuration*).
- Change** information about certain hardware options in your computer.

The PS/ValuePoint computer displays hardware information automatically. The information you can change is enclosed in brackets: [ ].

The configuration for the following features can be changed on the screen:

#### Shadow BIOS in RAM

The Basic Input/Output System (*BIOS*) is the machine language that runs the computer. The BIOS is stored in *read-only memory* (ROM). The **Shadow BIOS in RAM** option increases the computer's performance by copying BIOS into *random-access memory* (RAM). Because the computer accesses RAM faster than it accesses ROM, programs run faster.

#### Diskette Drive (A: or B:)

This option displays an entry for each diskette drive in the computer. If you add or change a diskette drive, you must select the correct diskette drive type on the Configuration Utility screen.

#### Power-On Password

A *power-on password* restricts use of the computer. The password must be entered each time the computer is powered on.

A password can be up to seven characters long (letters, numbers, or a combination of the two). After you create a password, *be sure to write it down and put it in a secure place*.

#### Startup Sequence

When the computer starts, it looks for operating system files on a diskette and then on the hard disk. If there is a diskette in the diskette drive that does not contain the operating system files, most computers send an error message and stop operating.

The PS/ValuePoint computer, however, has a *smart* startup sequence that automatically looks for operating system files on the hard disk if the files are not found on a diskette.

**Note:** On some models, selectable boot can be selected directly from the configuration utility screen.

#### Serial Port

The computer has either one or two serial ports. Each serial port has a special *address* (identifying location) assigned to it. If you add adapter cards to the computer that have additional serial ports, you must ensure that each serial port has a different address.

The **Serial Port** option lets you change the serial port addresses. If you change serial port addresses on the Configuration Utility screen, you also might need to make changes to the software. For instructions on changing the software, see the user's guide or online information that came with the software.

#### Parallel Port

The computer has one parallel port with a special *address* (identifying location) assigned to it. If you add adapter cards to the computer that have additional parallel ports, you must ensure that each parallel port has a different address.

The **Parallel Port** option lets you change the parallel port addresses. If you change parallel port addresses on the Configuration Utility screen, you also might need to make changes to the software. For instructions on changing the software, see the user's guide or online information that came with the software.

#### Date and Time

You can change the date and time on the computer using the **Date** and **Time** options. The changes take effect immediately.

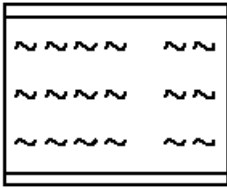
Type the date in the format displayed on the screen. Type the time in 24-hour format. For example:

```
12 midnight is 00:00
12 noon is    12:00
 1 p.m. is    13:00
```

3.11.2 Starting the Configuration Utility Program

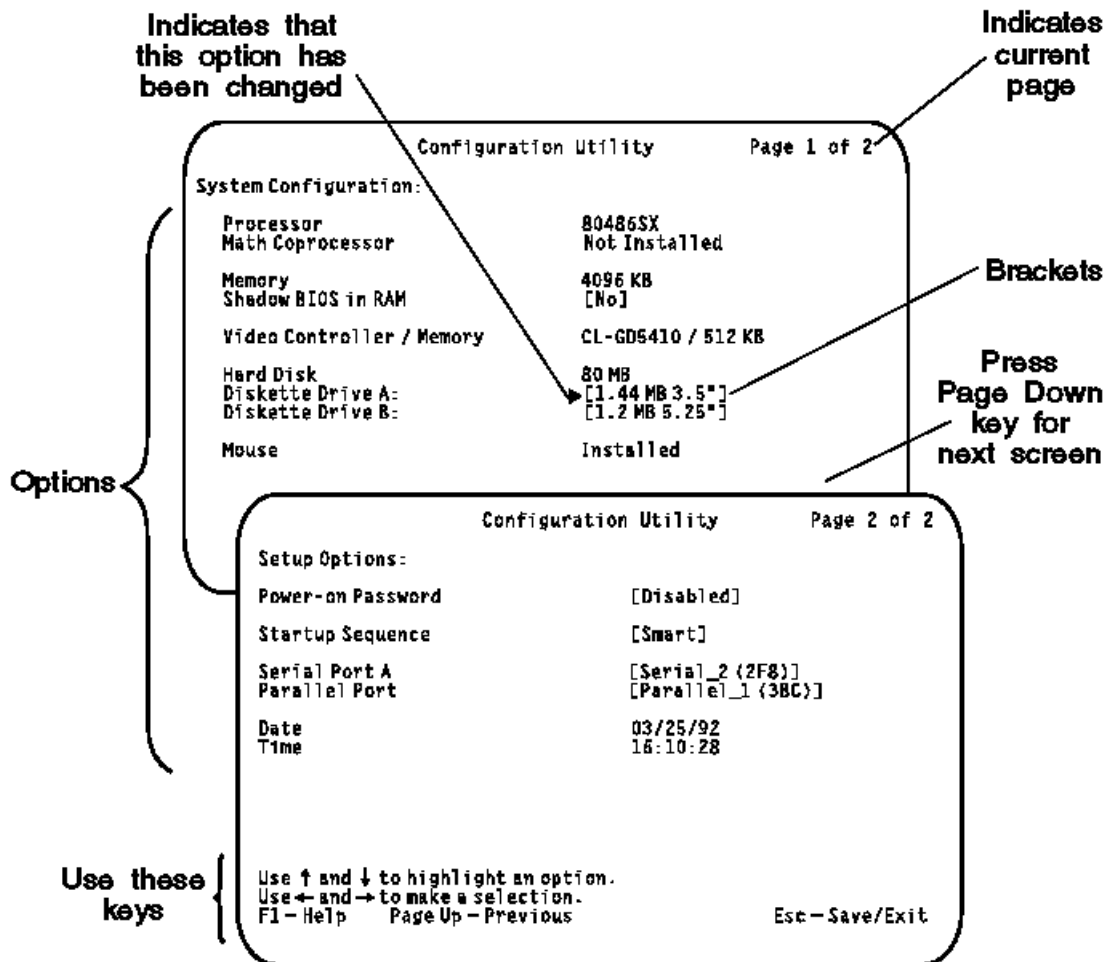
There are two ways to start the Configuration Utility program:

1. When the computer detects an error, a *pop-up window* displays an error code and description. Press **Enter** to get the Configuration Utility screen.
2. When you power-on the computer, this symbol appears in the upper-right corner of the display:



Press **F1** while this symbol is displayed to get the Configuration Utility screen.

The actual Configuration Utility screen might look slightly different from the following picture, but it functions the same.



3.11.3 *Restoring the Default Configuration*

To set the computer configuration to the default (original) settings:

- For Type 6381, 6382 /S, 6384 /D, 6384 P60/D, and 6387 /T, press F5 from any Configuration Utility screen.
- For Type 6384 and Type 6382 325T /S, press and hold both mouse buttons, then power-on the computer. (If a mouse is not available, follow "2" above to manually set the default configuration. Press **Esc** to save the configuration.)

3.11.4 *Restoring a Customized Configuration*

To restore a customized configuration, follow "2" above. When all selections have been made, press **Esc** to save the configuration.

### 3.12 Computer Memory

#### □ Type 6381 Computers

Four 72-pin sockets are available to add memory modules. Memory modules supported are 2MB, 4MB, 8MB, and 16MB. Memory module speeds supported are 70 and 80 ns.

#### □ Type 6384 Computers

**Model 325T** has 2MB of RAM soldered on the board. Two 72-pin sockets are available to add memory modules. Memory modules supported are 1MB, 2MB, 4MB, and 8MB. Memory module speed is from 70 ns to 85 ns. Sockets can accept either size and speed. A POST error code 225, "Unsupported SIMM" might appear on the display when an installed memory module is the wrong value.

**Models 425SX, 433DX, and 466DX2** have all computer memory socketed with memory modules. 30-pin 70 or 80 ns memory modules are installed in banks of four each. 1MB and 4MB memory modules are supported. One or both banks must be occupied with four memory modules. Each bank must contain memory modules of the same size. Memory modules must be 9 bits wide. No POST error is displayed when a memory module of the wrong value is installed.

#### □ Type 6382 /S, 6384 /D, and 6387 /T Computers

(All these models use the same system board identifiable by the riser card extension.) Four 72-pin sockets are available to add memory modules. Memory modules supported are 2MB, 4MB, 8MB, and 16MB. Memory module speed supported is from 70 ns to 85 ns. Sockets can accept either size and speed. A POST error code 225, "Unsupported SIMM" might appear on the display when an installed memory module is the wrong value.

#### □ Type 6384 P60/D Computers

Four 72-pin sockets are available to add memory modules. Memory modules supported are 4MB, 8MB, 16MB, and 32MB with a maximum of 128MB. Memory module speed supported is 70 ns.

3.13 6381 Memory Module Strategy

Memory modules in the Model 6381 must be installed according to the arrangement shown in the following table.

Table 1. 6381 Computer Memory Table				
Total Memory	MEM 1	MEM 2	MEM 3	MEM 4
4MB	1MB	1MB	2MB	-
4MB	2MB	2MB	-	-
4MB	4MB	-	-	-
6MB	1MB	1MB	4MB	-
6MB	2MB	4MB	-	-
8MB	1MB	1MB	2MB	4MB
8MB	2MB	2MB	4MB	-
8MB	4MB	4MB	-	-
8MB	8MB	-	-	-
10MB	1MB	1MB	4MB	4MB
12MB	2MB	2MB	4MB	4MB
12MB	4MB	4MB	4MB	-
16MB	4MB	4MB	4MB	4MB
16MB	8MB	8MB	-	-
16MB	16MB	-	-	-
18MB	1MB	1MB	16MB	-
18MB	2MB	16MB	-	-
20MB	2MB	2MB	16MB	-
20MB	4MB	16MB	-	-
24MB	2MB	2MB	4MB	16MB
24MB	4MB	4MB	16MB	-
24MB	8MB	8MB	8MB	-
32MB	8MB	8MB	8MB	8MB
32MB	16MB	16MB	-	-
36MB	2MB	2MB	16MB	16MB
36MB	4MB	16MB	16MB	-
40MB	4MB	4MB	16MB	16MB
48MB	16MB	16MB	16MB	-
64MB	16MB	16MB	16MB	16MB

3.14 *Diagnostics and Test Information (6381, 6382, 6384, 6387)*

The following information is helpful when diagnosing computer problems on types 6381, 6382, 6384, and 6387. For Model 6384 P60/D, see "Diagnostics and Test Information (6384 P60/D)" on page 61.

Subtopics

- 3.14.1 Power-On Self Test
- 3.14.2 Diagnostics Diskette
- 3.14.3 Diagnostic Menus
- 3.14.4 Error Log



### 3.14.1 Power-On Self Test

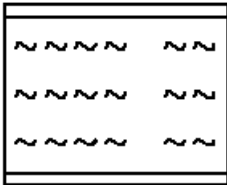
Each time you power-on the computer, the power-on self test (POST) is initiated. The POST takes up to 90 seconds to complete, depending on the options installed.

The POST checks the following:

- System board
- Memory
- Video
- Hard disk drive(s)
- Diskette drive(s)
- Keyboard
- Mouse
- Parallel port
- Serial port(s)

To start the POST, power-on the display and the computer. The following happens:

1. The following icon



appears at the upper-right corner of the display. Pressing F1 at this time causes the Configuration Utility menu to appear after the POST has completed.

2. A count of the computer memory appears at the upper-left corner of the display.
3. If an error is detected, an error code appears under the computer memory count.

**Note:** Memory errors appear as XXXXXX XXXX 201 in the upper-left corner of the display (X can be a number or letter).

4. Successful completion of POST is attained when there are no errors detected in the computer.
5. The computer attempts to load the operating system. If an operating system is not found, a graphic message (icon) is displayed requesting the user to insert a diskette into drive A and press the F1 key to resume operation.
6. If a critical error is encountered, the POST is halted.

3.14.2 Diagnostics Diskette

Refer to the following table to use the correct "Advanced Diagnostics" diskette for the computer you are servicing.

Diskette Type	PS/ValuePoint Model
Type 1	6384 and 6382 325T /S
Type 2	6382 /S, 6384 /D, 6387 /T
Type 3	6381
Type 4	6384 P60/D

The four diskettes are not interchangeable.

The term "Diagnostics diskette" used in this book applies to any of the four diskettes.

*The Diagnostics program is intended to test only PS/ValuePoint products. Non-PS/ValuePoint products, prototype cards, or modified options can give false errors and invalid computer responses.*

Subtopics

3.14.2.1 To load the diagnostics diskette:

3.14.2.2 To access diagnostic tests from the Select An Option Menu:

To load the diagnostics diskette:

3.14.2.1 *To load the diagnostics diskette:*

1. Power-off the computer.
2. Install the Diagnostics diskette in Drive A.
3. Power-on the computer.
4. Do not press **F1** when the icon appears.
5. If any POST error(s) appear after POST, make a note of the error(s) and press the **Esc** key.

**Note:** If an IBM logo screen appears, do the following:

1. Press Enter.
2. Select "Test the system."
3. Press Enter twice to continue.

To access diagnostic tests from the Select An Option Menu:

3.14.2.2 To access diagnostic tests from the Select An Option Menu:

1. Select **0 (SYSTEM CHECKOUT)** option.
2. At the Installed Devices menu, press **(Y)**, then **Enter**.
3. The **SYSTEM CHECKOUT** menu is displayed.
4. Select **0** or **1** from the **SYSTEM CHECKOUT** menu.
5. Select the device to be tested.

3.14.3 *Diagnostic Menus*

The following menus are available in the advanced diagnostics tests.

Subtopics

- 3.14.3.1 Select an Option Menu
- 3.14.3.2 Diskette Drive Menu
- 3.14.3.3 Hard Disk Diagnostic Menu
- 3.14.3.4 Formatting a Hard Disk Drive
- 3.14.3.5 Formatting Procedure
- 3.14.3.6 Video Graphics Display Menu

### 3.14.3.1 Select an Option Menu

This menu appears if the computer options are correctly set.

```
+-----+
|
| SELECT AN OPTION
|
| 0 - SYSTEM CHECKOUT
| 1 - FORMAT DISKETTE
| 2 - COPY DISKETTE
| 3 - SETUP
|
| 9 - END DIAGNOSTICS
|
+-----+
```

0 - SYSTEM CHECKOUT: Starts the computer checkout procedure.

1 - FORMAT DISKETTE: Formats a scratch diskette for diagnostic use only.

2 - COPY DISKETTE: Copies the Diagnostics diskette to another diskette. (On some Diagnostics diskettes, this option is called "BACKUP THE DISKETTE" and is found on the main menu.)

3 - SETUP: Allows you to check or change the computer configuration. (This option is not available on all Diagnostics diskettes.)

9 - END DIAGNOSTICS: Ends the diagnostic tests and gives the option to restart the computer.

3.14.3.2 Diskette Drive Menu

This menu allows you to test the diskette drives and the control logic on the system board.

```
+-----+
| TESTING -
| X DISKETTE DRIVE(S)
| DISKETTE DIAGNOSTIC MENU
| -----
| OPTION
| 1 - SEEK TEST
| 2 - WRITE, READ, COMPARE TEST
| 3 - VERIFY DISKETTE TEST
| 4 - SPEED TEST
| 5 - DISKETTE CHANGE TEST
| 9 - RETURN TO CONTROL PROGRAM
|
|                                     | For option 9, type (9) and press Enter.
|                                     | For options 1 - 5,
| the option number, drive ID (1, A), and press Enter.| type
|                                     |
+-----+
```

- 1 - SEEK TEST: Tests the basic diskette seek operations, including sequential and random diskette drive head positioning.
- 2 - WRITE, READ, COMPARE TEST: Tests the basic diskette operations, including a series of random seeks. Each seek is followed by a write, read, and comparison of data.
- 3 - VERIFY DISKETTE TEST: Verifies data accessing and each sector.
- 4 - SPEED TEST: Measures the time required for one revolution of the diskette.
- 5 - DISKETTE CHANGE TEST: Tests the diskette change signal and write-protect feature as you remove and insert a diskette.
- 9 - RETURN TO CONTROL PROGRAM: Returns to the System Checkout menu or continues with the next device test.

3.14.3.3 Hard Disk Diagnostic Menu

This menu allows you to test the hard disk drive and the integrated controller.

```
+-----+
|
| HARD DISK DIAGNOSTIC MENU
| -----
| 1 - WRITE, READ, COMPARE (ON TEST CYLINDER)
| 2 - SEEK TEST
| 3 - HEAD SELECT
| 4 - ERROR DETECTION AND CORRECTION
| 5 - RUN ALL TESTS
| 6 - READ VERIFY
| 7 - FORMAT MENU
| 9 - RETURN TO CONTROL PROGRAM
|
|                                     | For option 9, type 9 and press Enter.
|                                     | For other options
|                                     | type
| the option number, drive ID (1, C), and press Enter.
|                                     |
+-----+
```

1 - WRITE, READ, COMPARE (ON TEST CYLINDER): Tests the hard disk drive read and write operations.

2 - SEEK TEST: Sequentially moves the hard disk heads inward one cylinder at a time until the last cylinder is reached. The heads then reset to the first cylinder and a random seek test is performed.

3 - HEAD SELECT: Data is written to the test cylinder by each hard disk head; the data is then read and checked for any errors.

4 - ERROR DETECTION AND CORRECTION: Tests the hard disk error checking and correction circuits by reading data, altering the data, and writing the data on the test cylinder. A comparison test is made to detect any errors.

5 - RUN ALL TESTS: Runs tests 1, 2, 3, and 4; also reads track 0.

6 - READ VERIFY: A read operation is performed on the entire hard disk drive; any tracks that cannot be read are reported with existing defects.

7 - FORMAT MENU: Selects the Format Selection menu for the hard disk drives.

9 - RETURN TO CONTROL PROGRAM: Returns to the System Checkout menu or continues with the next device test.



#### 3.14.3.4 Formatting a Hard Disk Drive

Hard disk drives normally contain tracks in excess of their stated capacity to allow for defective tracks. The user is notified by a diagnostic message when the defect limit has been reached and service is recommended.

The Diagnostics Format program is different from the operating system format program. Before the customer can transfer information from the backup diskettes to the hard disk drive, the hard disk drive must be formatted using the operating system format program. Have the customer refer to the operating system manual for a description of the hard disk preparation commands.

**Note:** The Diagnostics Format program on this diskette might damage non-IBM hard disk drives. Refer to the documentation that came with the drive for low-level formatting information.

Warning: All data on the selected hard disk drive is destroyed during a format operation or surface analysis.

#### Format Menu

```
+-----+
|
|  FORMAT SELECTION MENU
|  -----
|  1 - CONDITIONAL FORMAT
|  2 - UNCONDITIONAL FORMAT
|  3 - SURFACE ANALYSIS
|  9 - RETURN TO HARD DISK MENU
|
|-----+
```

1 - CONDITIONAL FORMAT: The hard disk drive is scanned for any defective tracks, then formatted (except for any known defective tracks).

2 - UNCONDITIONAL FORMAT: The hard disk drive is formatted, except for any defective tracks that you specify.

3 - SURFACE ANALYSIS: Scans the hard disk drive by writing, reading, and comparing a unique data pattern to detect any defective tracks.

9 - RETURN TO HARD DISK MENU: Returns to the Hard Disk Diagnostic menu.

Warning: Formatting results in a complete loss of data on the hard disk drive, including system programs. If you are directed to or elect to format the hard disk drive, you must do the following:

1. Prior to formatting, have the customer back up all information, if possible.
2. Prior to returning the computer to the customer, you must reinstall the system programs on the hard disk.

3.14.3.5 *Formatting Procedure*

Before replacing a failing hard disk drive, try to format it as follows:

1. Power-off the computer. Check that the hard disk drive cable is tightly connected.
2. Insert the Diagnostics diskette into drive A.
3. Power-on the computer.
4. Press **0 (SYSTEM CHECKOUT)**, then press **Enter**.
5. Depending on the options installed in the computer, questions about attached devices appears on the screen. Answer as required, then press **Enter**.
6. If the list is incorrect, run the Configuration Utility program. Check to see if any adapter or device is set to a conflicting address with any other adapter or device. Also be sure that any adapter or device missing from the list is not set to "disabled". Press **Y (IS THE LIST CORRECT (Y/N)?)**, then press **Enter**.
7. Press **0 (RUN TESTS ONE TIME)**, then press **Enter**.
8. Select **17 (HARD DISK DRIVE)**, then press **Enter**.
9. Press **7 (FORMAT MENU)**, then press **Enter**.
10. Press **1, C**, then press **Enter**.
11. Press **Y (DO YOU WANT TO CONTINUE (Y/N)?)**, then press **Enter**.
12. Press **Y** or **N (ALL DEFECTS WILL BE SHOWN ON THE DISPLAY, THEY CAN ALSO BE PRINTED ON LPT1. IS A HARD COPY NEEDED?)**, then press **Enter**.
13. If you were instructed to perform an **UNCONDITIONAL FORMAT**, follow the instructions on the screen.

### 3.14.3.6 Video Graphics Display Menu

This menu allows you to test the VGA and SVGA displays and control logic on the system board.

```
+-----+
| VIDEO GRAPHICS DISPLAY
|
| 1 - VGA TEST
| 2 - DISPLAY ATTRIBUTES
| 3 - CHARACTER TESTS
| 4 - GRAPHICS TESTS
| 5 - SCREEN PAGING
| 6 - RUN TESTS 1 THROUGH 5
| 7 - SYNC TEST
|
| 9 - RETURN TO CONTROL PROGRAM
|
+-----+
```

1 - VGA TEST: Verifies the video portion of the system board.

2 - DISPLAY ATTRIBUTES: Shows the following character attributes: normal and high intensity, reverse video, blinking, non-display, and 16 colors.

3 - CHARACTER TESTS: Shows the following character modes: 40 x 25, 80 x 25, 80 x 30, and 256 ASCII characters.

4 - GRAPHICS TESTS: Displays various patterns to test the display graphics modes.

5 - SCREEN PAGING: Tests the video-addressing circuitry.

6 - RUN TESTS 1 THROUGH 5: Performs tests 1 through 5 on a VGA or 63XX PS/ValuePoint display.

7 - SYNC TEST: Provides a test signal to allow voltage measurement at the video connector. (This option is not available on all Diagnostics diskettes.)

9 - RETURN TO CONTROL PROGRAM: Returns to the System Checkout menu or continues with the next device test.

#### 3.14.4 Error Log

Use the following steps to create an error log, run the diagnostic tests, and automatically record any error messages in an error log. This procedure is normally used to diagnose an intermittent problem.

**Note:** The errors must be logged to a diskette drive or to a printer. If recording errors on a diskette, use a copy of the Diagnostics diskette that is not write-protected. **Do not run any diskette test when logging to a diskette drive.**

##### Subtopics

3.14.4.1 Creating the Error Log

3.14.4.2 Starting the Test

3.14.4.3 Display the Error Log

3.14.4.1 *Creating the Error Log*

1. Load the Diagnostics diskette from drive A.
2. Press **0 (SYSTEM CHECKOUT)**, then press **Enter**.
3. Depending on the options installed in the computer, questions about attached devices might appear on the screen. Answer as required, then press **Enter**.
4. Press **Y** or **N (IS THE LIST CORRECT (Y/N)?)**, then press **Enter**.
5. Press **2 (LOG UTILITIES)**, then press **Enter**.
6. Press **0 (START ERROR LOG)**, then press **Enter**.
7. Press **0 (LOG TO DISKETTE, OR PRINTER (0/1)?)**, then press **Enter**.
8. If you are logging to diskette, press **A** or **B (ENTER THE DRIVE ID FOR ERROR LOG?)**, then press **Enter**.
9. Press **9 (END LOG UTILITIES)**, then press **Enter**.

3.14.4.2 *Starting the Test*

1. Press **1 (RUN TESTS MULTIPLE TIMES)**, then press **Enter**.
2. Select the device you suspect has a failure, then press **Enter**.
3. Select the number of times the test is to be run, then press **Enter**.
4. Press **N (WAIT EACH TIME AN ERROR OCCURS (Y/N)?)**, then press **Enter**.
5. Follow any instructions on the screen and select all available tests.

**Note:** Do not press any keys during the keyboard test.

6. To end (**RUN TEST CONTINUOUSLY**), press **Ctrl+Break**. The computer completes testing and returns to the Installed Devices menu.

3.14.4.3 *Display the Error Log*

1. Depending on the options installed in the computer, questions about attached devices appear on the screen. Answer as required, then press **Enter**.
2. Press **Y** or **N (IS THE LIST CORRECT (Y/N)?)**, then press **Enter**.
3. Press **2 (LOG UTILITIES)**, then press **Enter**.
4. Press **2 (DISPLAY LOG)**, then press **Enter**.
5. Press **A** or **B (ENTER THE DRIVE ID FOR ERROR LOG?)**, then press **Enter**.
6. If no errors occurred, the Log Utilities menu appears. If errors are displayed, go to "Hardware Maintenance Service (63XX)" in topic 1.0.





### 3.15.1 Running All Tests

**Note:** If the computer hangs during testing, replace the last FRU being tested. If that does not solve the problem, go to "Undetermined Problem (63XX)" in topic 1.4.

To test all the FRUs in the computer:

1. Select **Test** from the menu bar.
2. Press **Alt+F4**, then answer the questions that appear on the screen. Press **Enter** after answering each question. After the last question, the following message appears.

```
Enable tests: complete. (press any key ...)
```

3. Press **Alt+F2**. The following message appears.

```
Run all tests: how many times? [<cr> = no limit]:
```

4. Enter the number of times for the tests to run, then press **Enter**.

**Note:** If you press **Enter** without specifying a number, the tests run continuously until you press **Ctrl+C** or **Ctrl+Break**.

If a test is successful, a message appears indicating the test completed successfully. When all the tests have completed, the following message appears:

```
Test complete (press any key...)
```

Press any key to return to the Test menu.

If a test is not successful, an error message indicates the failure. (The error message is placed in an error log for later review.) Also, the Errors text in the menu bar blinks and the following message appears:

```
Test complete (press any key...)
```

Press any key to return to the Test menu. To end testing at any time, press **Ctrl+C** or **Ctrl+Break**.

### 3.15.2 Running Selected Tests

To test selected FRUs in the computer:

1. Select **Test** from the menu bar.
2. Press **Alt+F3** to disable all FRU tests, then press any key.
3. Use the up and down arrow keys to select the FRU(s) you want to test.
4. Press **F4** to enable the FRU test.
5. If any questions appear, press **Y** or **N**, then press **Enter**.
6. Press any key to enable the test.
7. Press **Enter**, enter the number of times to run the test, then press **Enter** to start the test.

**Note:** If a sub-menu appears, press **F4** to enable any test in the sub-menu, then press **Enter** to start that test. (**F3** disables any of the enabled tests.)

#### Subtopics

- 3.15.2.1 Diagnostics Screen Function Keys
- 3.15.2.2 Diagnostics Screen Menus

### 3.15.2.1 Diagnostics Screen Function Keys

This section contains information about the function keys used in the 6384 P60/D Diagnostics tests.

#### Key Description

**F1** Help. Displays general help information at any time for a highlighted item.

**F2** Run selected tests. The following message appears.

```
Run tests how many times? [<cr> = no limit]
```

**Note:** If you press **Enter** without specifying a number, the tests run continuously until you press **Ctrl+C** or **Ctrl+Break**.

**F3** Disable selected tests. The following message appears (in this case, for the microprocessor):

```
PROCESSOR tests disabled (press any key...)
```

**F4** Enable selected tests. For interactive, destructive, or external hardware tests, questions must be answered before they can be run, then the following message appears.

```
Enable tests complete (press any key...)
```

```
If all the tests associated with a component are not enabled, the  
following message appears.
```

```
Enable tests: complete, not all tests enabled.  
(press any key ...)
```

**F7** View error messages in the error message file.

**Alt+F2** Run all enabled tests sequentially. The following message appears.

```
Run tests how many times? [<cr> = no limit]
```

**Note:** If you press **Enter** without specifying a number, the tests run continuously until you press **Ctrl+C** or **Ctrl+Break**.

**Alt+F3** Disable all tests. The following message appears.

```
All tests disabled (press any key...)
```

```
You cannot run a disabled test.
```

**Alt+F4** Enable all tests. For interactive, destructive, or external hardware tests, questions must be answered before they can be run, then the following message appears.

```
All Enable tests complete (press any key...)
```

## 3.15.2.2 Diagnostics Screen Menus

This section contains descriptions of the menus at the top of the System Diagnostics screen.

Test Menu

When you select a Test menu item, the screen displays the test name and asks how many times to run the test. For example, if you select the system board test (SYSTEM\_BOARD), the following message appears.

```
Run SYSTEM_BOARD: how many times? [<cr> = no limit]
```

**Note:** If you press **Enter** without specifying a number, the tests run continuously until you press **Ctrl+C** or **Ctrl+Break**.

The screen displays more selections for some tests. For each item, Press **Y**, then press **Enter**. For example, if you select the mouse test (MOUSE), the screen displays two additional test selections: PORT and MOUSE. (A disabled test appears in subdued color in the menu. To enable a test, highlight it, then press either the **Spacebar** or **F4**.

Do one of the following:

- To run the highlighted test, press **Enter**.
- To run all the tests associated with the highlighted test, press **F2**.

During the tests, a window continuously displays the test results. Some tests use the entire screen, others use a window on the screen.

To end a test at any time, press **Ctrl+C** or **Ctrl+Break**.

If a test is successful, a message appears indicating the test has passed. When tests have been completed, the following message appears.

```
Test complete (press any key...)
```

When you press any key, the program returns to the Test menu.

If a test fails:

1. An error message is displayed, followed by a message that the test failed.
2. The error message is added to an error log.
3. The Errors text in the menu bar blinks.
4. The following message appears.

```
Test complete (press any key...)
```

```
Pressing any key returns you to the Test menu.
```

Errors Menu

From the Errors menu, you can view, clear or save error messages. The following are the Errors menu items.

**Item Description**

**View errors** The screen displays an error code and a brief explanation for each error found during the diagnostics tests. The following are two examples of error messages:

```
*** ERROR in VID_ATI.8514.1280x1024x4
Standard Error Code = 0290B003
(Error logged at 08-05-93 16:23:57)
```

```
*** ERROR HARD_FILE.HARD_FILE_0
Generic medium capacity drive Fixed Disk Drive 0
Buffers do not compare at byte offset 0x.    0
Write Buffer:
0000: C2 2C 25 68 E6 0A 25 52 49 FA F1 C6 2C 5C EC 56
Read Buffer:
0000: A2 6B 9E 08 FE 22 8F 16 B2 64 0E 06 82 01 5D 39
Standard Error Code = 00704023
(Error logged at 08-05-93 16:38:50)
```

The error messages are placed in a temporary file named TEST.OUT. The information in this file is lost if not saved in a permanent file before the computer is powered off or restarted. Select **Save errors** from this menu to save the error messages.

**Clear errors** The following message appears.

```
Clear? (y/[n])
```

To erase all error messages, press **y**, then press **Enter**. To keep the error messages, press **n**, then press **Enter**.

**Save errors** The following message appears.

```
Enter filename [test.out]:
```

To save the error messages to a file, type a path and file name or use the default file name, TEST.OUT, then press **Enter**. Press **Esc** to return to the Errors menu without saving the error messages.

#### Options Menu

The following are the Options menu items.

#### **Item Description**

**Line Printer** When you select this option, the following message appears.

```
Line printer: Enable? (y/[n])
```

Press **y**, then press **Enter** to enable the printer.

If you *do not* want to enable a printer, press **n**, then press **Enter** or **Esc**.

Enabling a printer redirects the test results to the printer instead of a file.

**Halt on error** When you select this option, the following message appears.

```
Halt on error: Enable? (y/[n])
```

To halt program operation when an error is detected, press **y**, then press **Enter**.

If you *do not* want to halt program operation when an error is detected, press **n**, then **Enter** or **Esc**.

**Prompt on error** When you select this option, the following message appears.

```
Prompt on error: Enable? (y/[n])
```

To receive a prompt when an error is detected, press **y**, then press **Enter**.

If you *do not* want to receive a prompt when an error is detected, press **n**, then press **Enter** or **Esc**.

**Continue after prompt** When you select this option, the following message appears.

```
Enter number of seconds to wait [no limit]:
```

Enter the number of seconds for an interactive test to wait for a keyboard response before it continues. If no keyboard response is received in the specified time, the test continues or the next test begins. If you do not enter a value, the program waits for a response indefinitely.

**Redirect to file** Sends the results of your testing to a file. When you select this option, the following message appears.

```
Enter filename [test.out]:
```

Type a path and file name or use the default file name, TEST.OUT; then press **Enter**.

**Run all tests** Allows you to run all enabled diagnostics tests sequentially. To disable any tests, highlight the test; then press **F3**. The disabled test changes to a subdued color on the Test menu. To enable a test, press **F4**, answer any questions, then press **Enter** after each question. An enabled test changes to normal color on the Test menu.

When you select Run all tests, the following message appears.

```
Run tests how many times? [<cr> = no limit]
```

Enter the number of times for the tests to run, then press **Enter**.

**Note:** If you press **Enter** without specifying a number, the tests run continuously until you press **Ctrl+C** or **Ctrl+Break**.

#### Help Menu

The Help menu selections contain detailed information on menus, function keys, windows, starting and stopping tests, and test parameters.

#### Quit

To end the diagnostics tests, select "Quit." To return to the main menu, press **Enter**, then press **Y**. Follow the directions at the bottom of

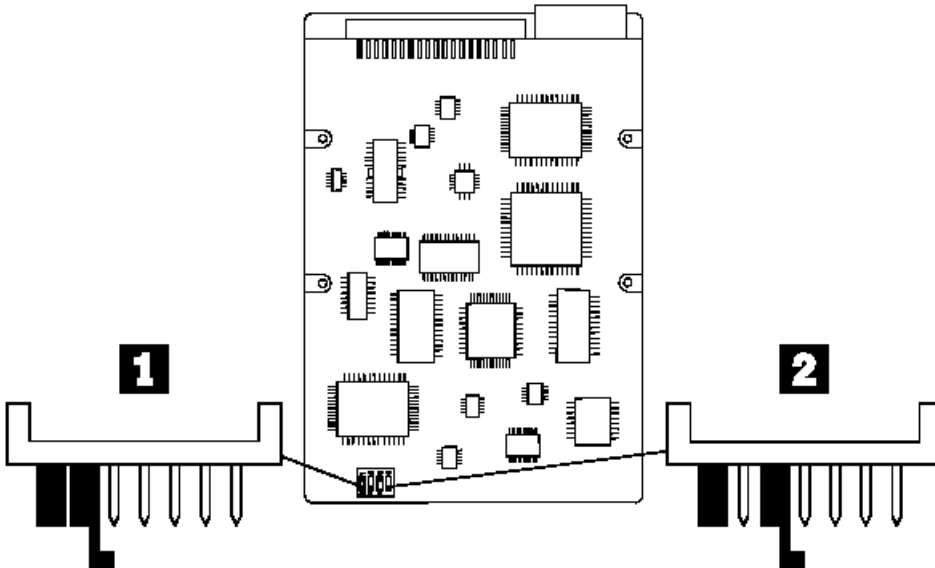
the Main Menu screen to exit or to restart your computer. If testing does not find a problem, but you still have one, go to "Symptom-to-FRU Index (63XX)" in topic 1.11, and look for the problem symptom.

3.16 Hard Disk Drive Jumper Settings

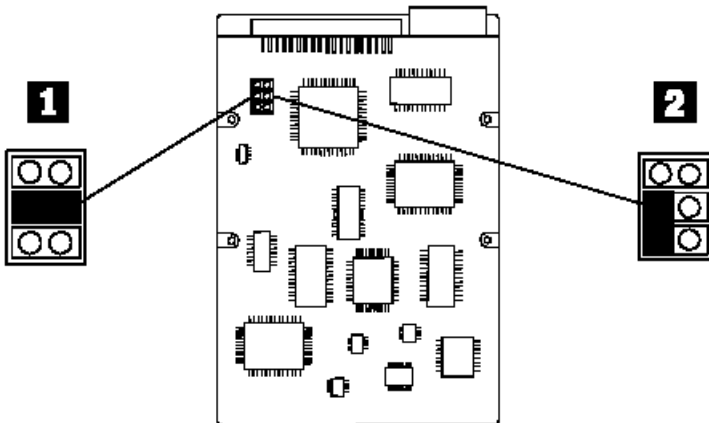
Hard disk drives for PS/ValuePoint computers use jumpers or tabs to set the drives as primary or secondary. Match your hard disk drive to one of the following figures. Set the first drive as the primary (master) drive 1. If a second drive is installed, set it as the secondary (slave) drive 2.

**Note:**  = Jumper,  = Tab

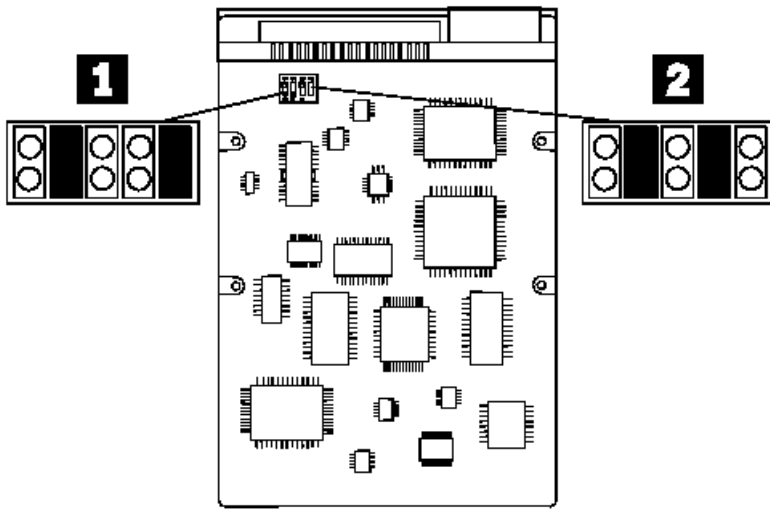
80MB and 170MB AT Drives with Tabs



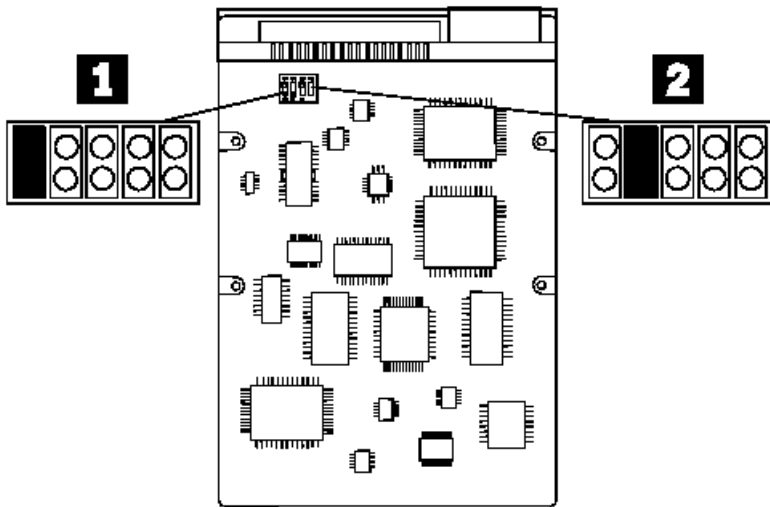
120MB AT Drive with Jumpers



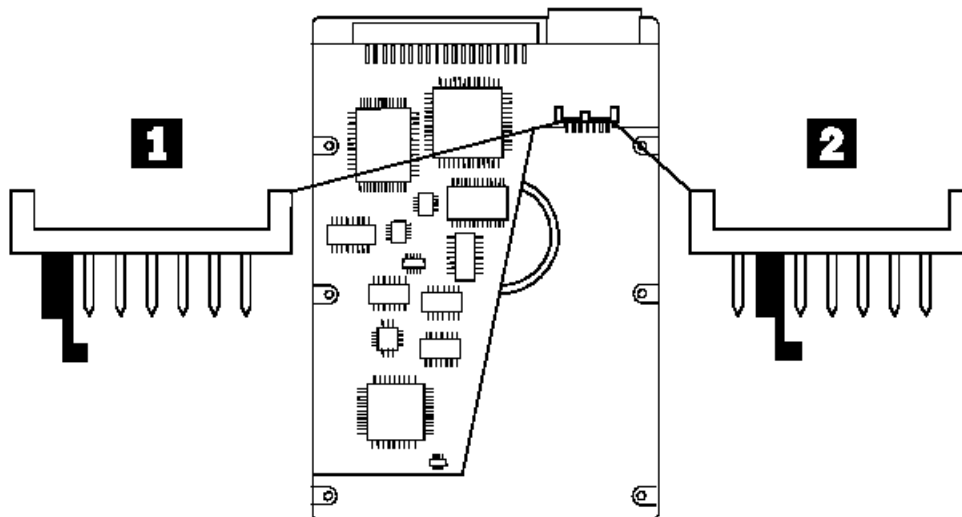
120MB AT Drive with Jumpers



170MB, 212MB, and 245MB AT Drives with Jumpers

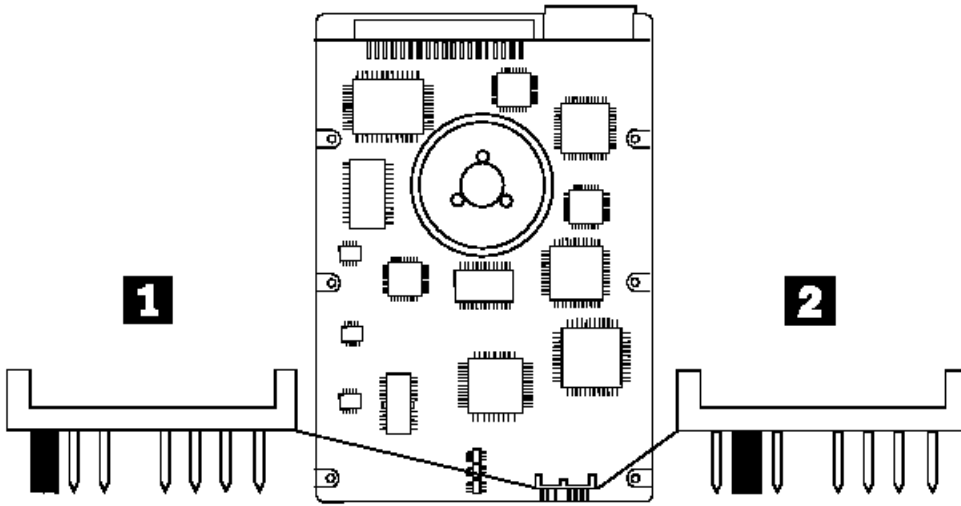


120MB, 170MB, 245MB, and 340MB AT Drives with Tabs

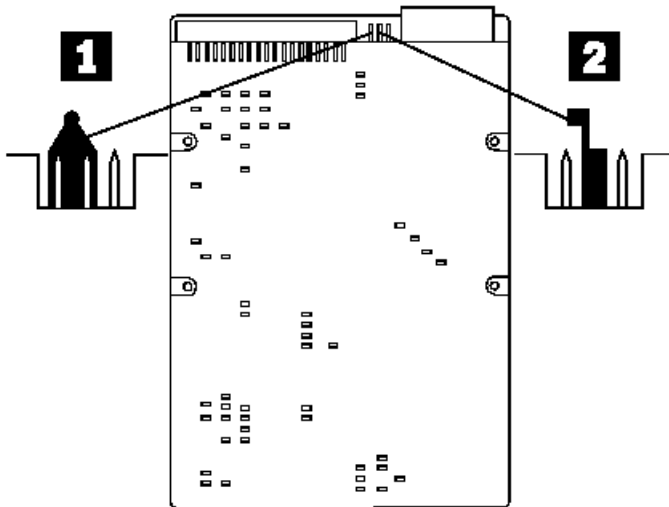


120MB, 170MB, 245MB, and 340MB AT Drives with Tabs

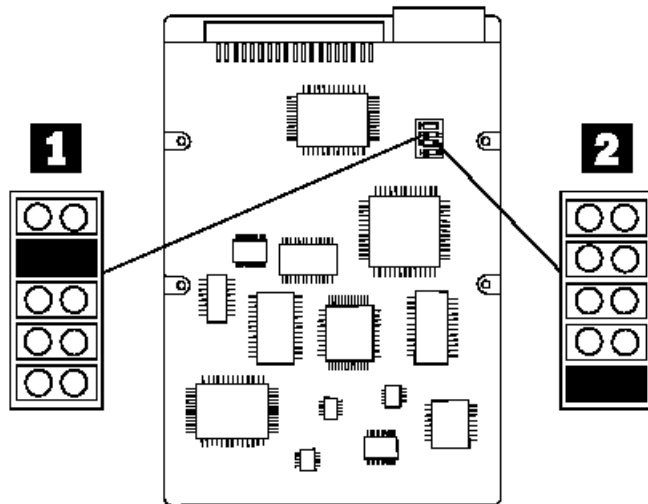




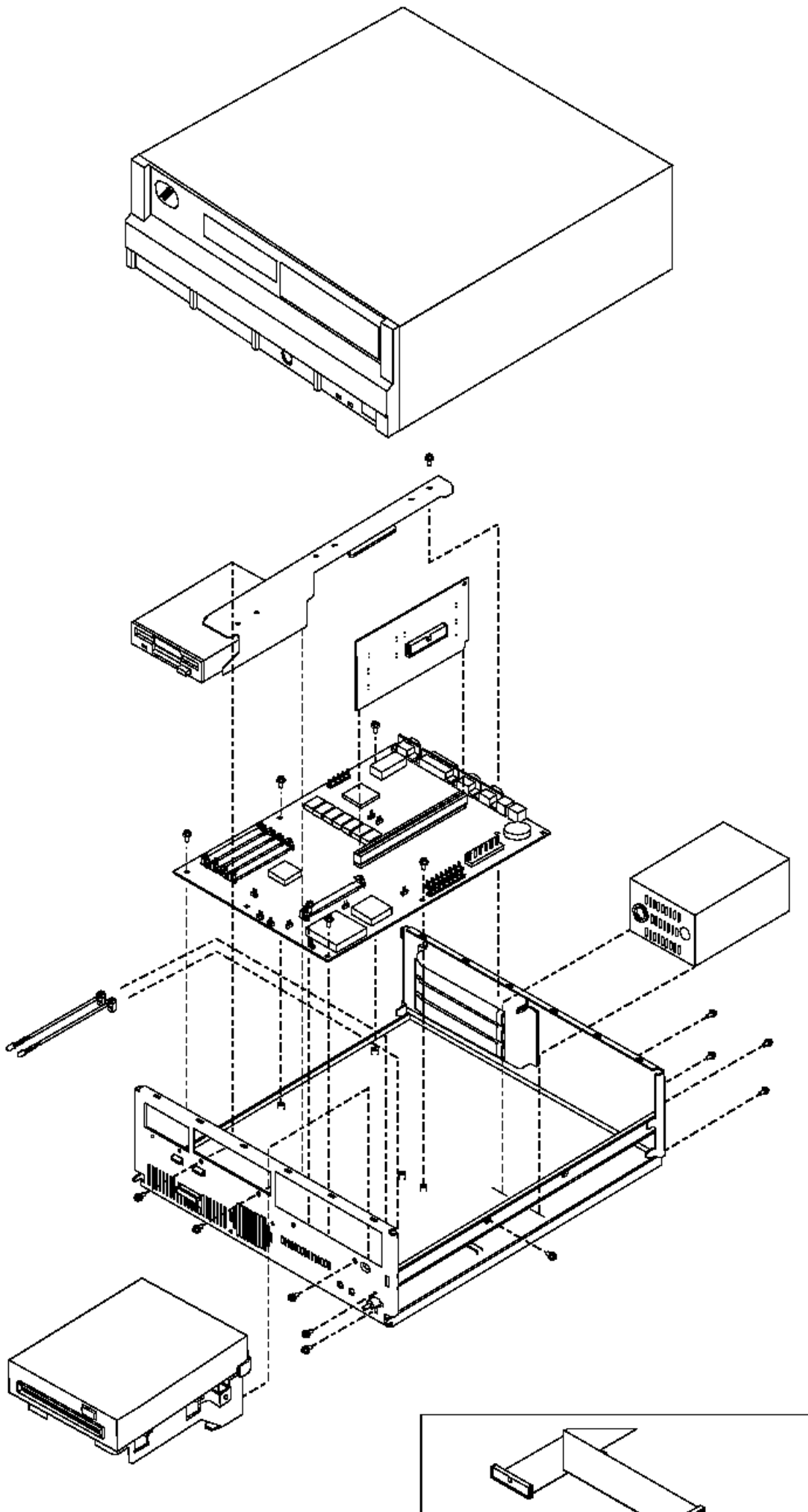
170MB, 212MB, 245MB, 340MB, and 420MB AT Drives with Tabs



527MB AT Drive with Jumpers

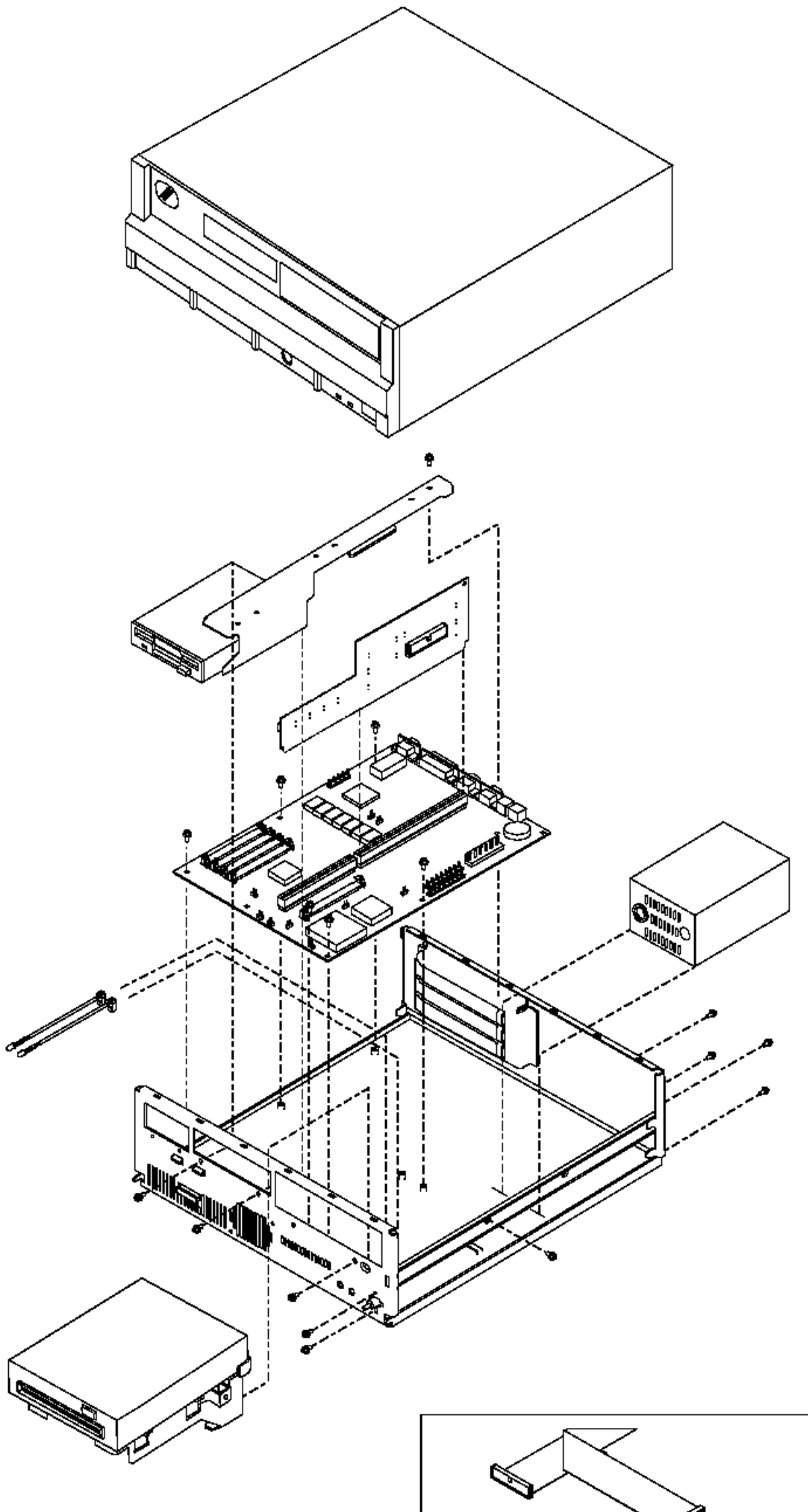


3.17 Computer Exploded View (6381)





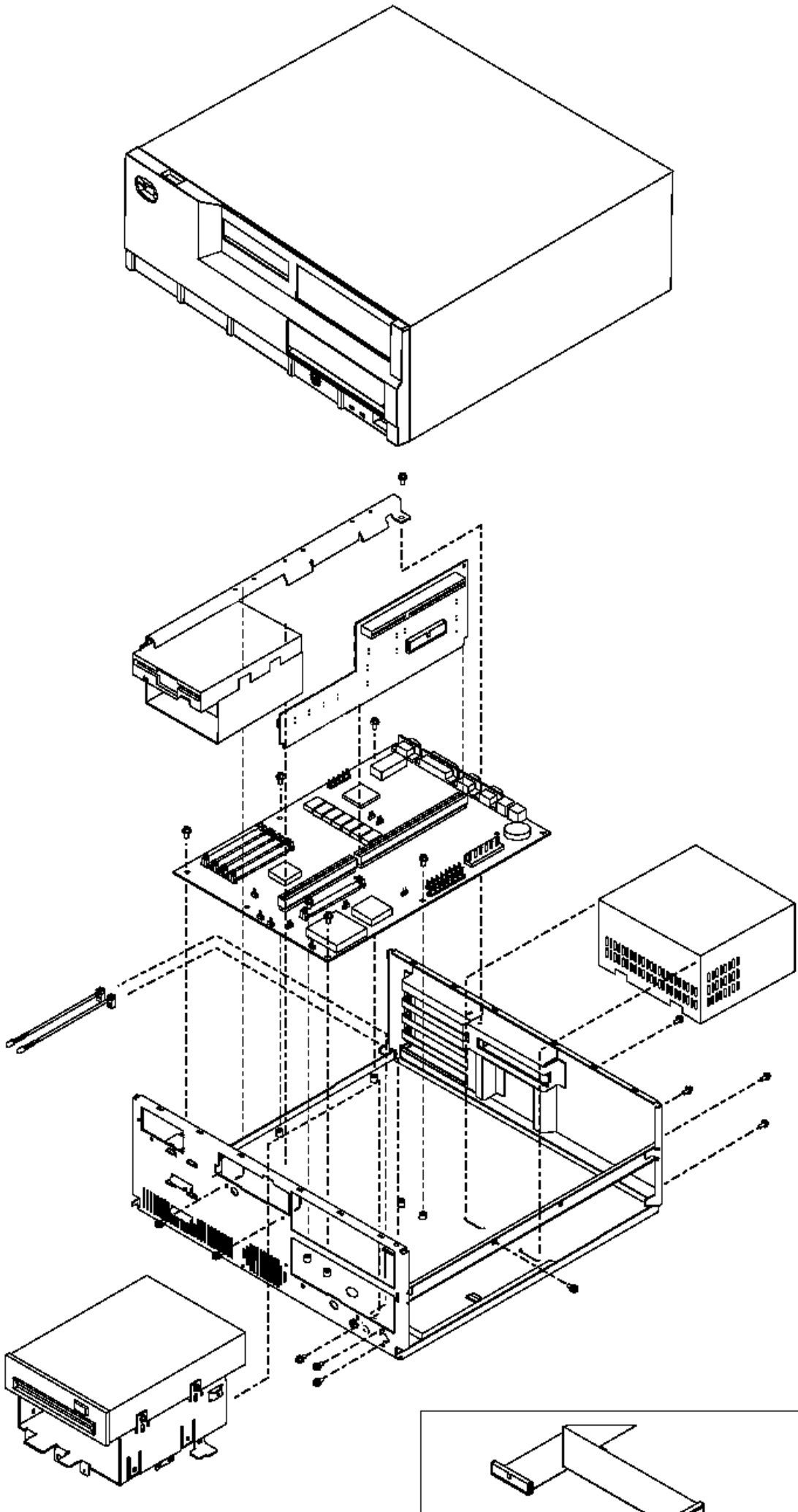
3.18 Computer Exploded View (6382)





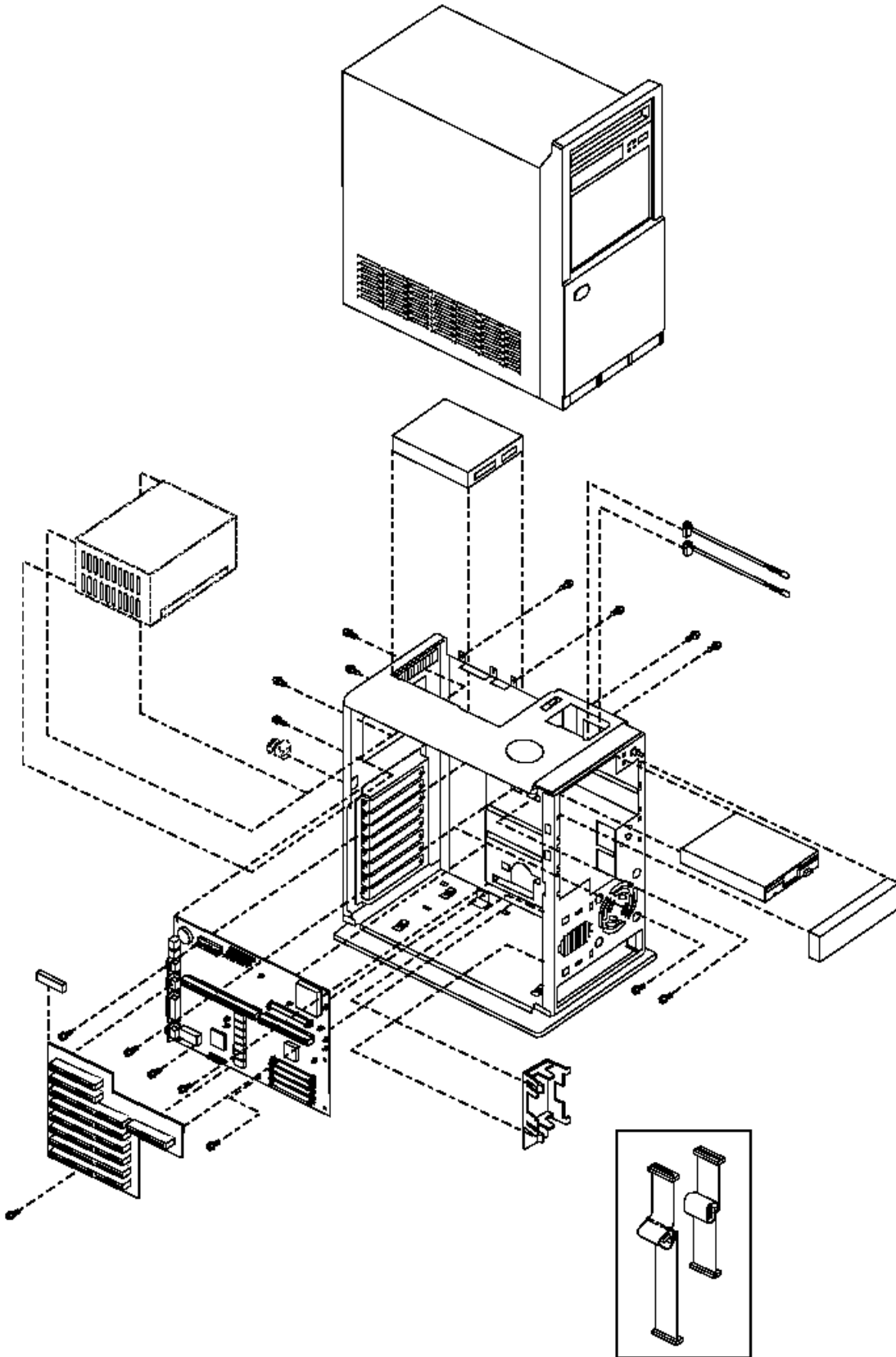
3.19 Computer Exploded View (6384)







3.20 Computer Exploded View (6387)



3.21 System Board Layouts (63XX)

Subtopics

- 3.21.1 6381 SX System Board
- 3.21.2 6381 DX or DX2 System Board
- 3.21.3 6382 325T/S System Board
- 3.21.4 6382 /S System Board (Type 1)
- 3.21.5 6382 /S System Board (Type 2)
- 3.21.6 6384 325T System Board
- 3.21.7 6384 425SX System Board
- 3.21.8 6384 433DX or 466DX2 System Board
- 3.21.9 6384 /D System Board (Type 1)
- 3.21.10 6384 /D System Board (Type 2)
- 3.21.11 6384 P60/D Pentium System Board
- 3.21.12 6387 /T System Board (Type 1)
- 3.21.13 6387 /T System Board (Type 2)

3.21.1.1 6381 SX System Board

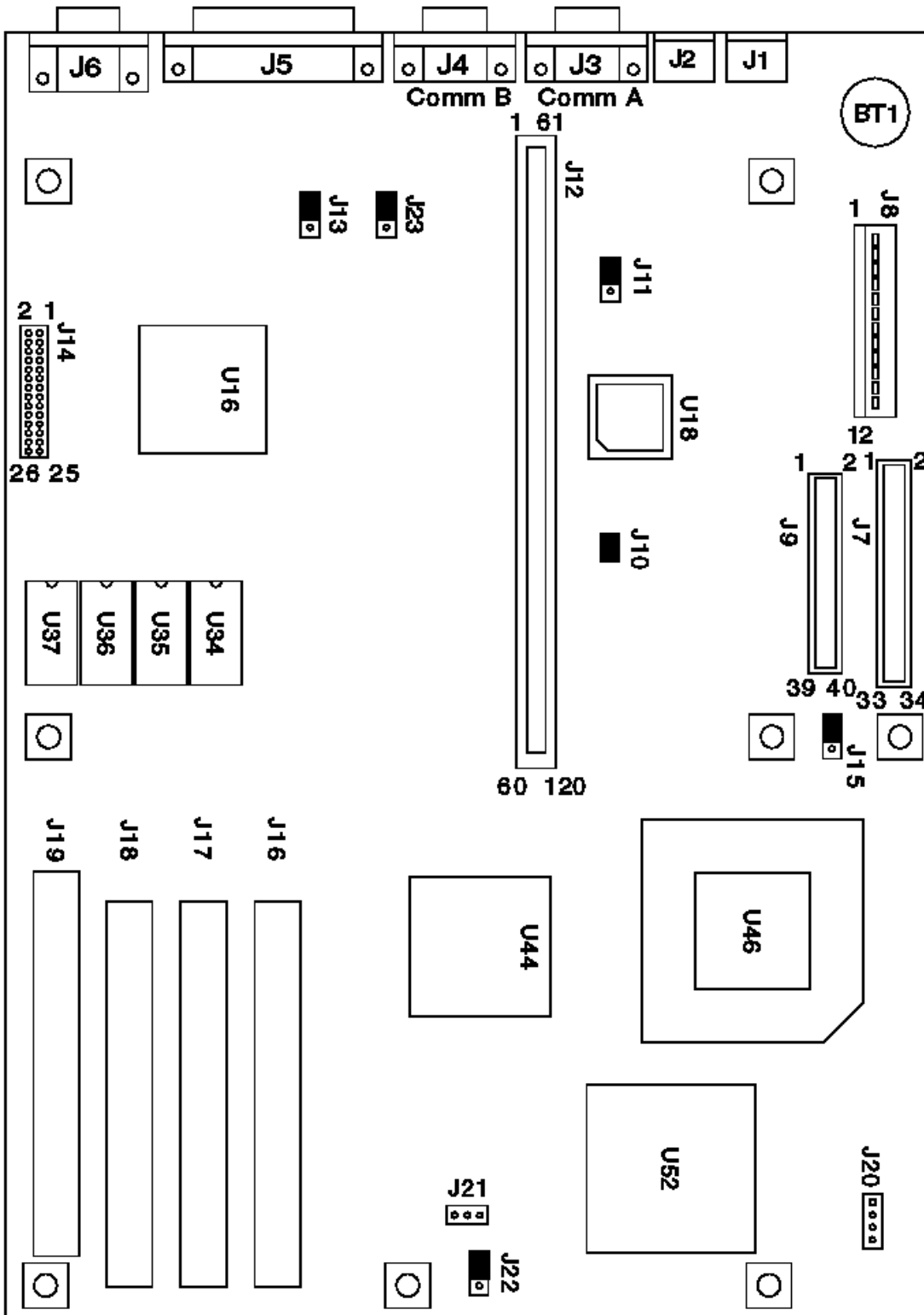


Figure 2. 6381 SX

Subtopics

3.21.1.1.1 6381 SX System Board

3.21.1.1 6381 SX System Board

BT1	Battery
J1	Keyboard Connector
J2	Mouse Port
J3	Serial Port (Comm B)
J4	Serial Port (Comm A)
J5	Parallel Port
J6	Video Port
J7	Hard Disk Connector
J8	Power Supply Connector
J9	Diskette Connector
J10	Mouse Disable
J11	Flash Memory
J12	Riser Card Connector
J13	Video Enable
J14	Video Feature Connector
J15	Write Protect
J16	Memory-Module Socket, MEM 1
J17	Memory-Module Socket, MEM 2
J18	Memory-Module Socket, MEM 3
J19	Memory-Module Socket, MEM 4
J20	Hard Disk and Power-On LEDs
J21	Speaker Connector
J22	Speaker Enable
J23	Video Interrupt Enable
U34	Video Memory Connector
U35	Video Memory Connector
U36	Video Memory Connector
U37	Video Memory Connector
U46	Processor Upgrade Socket

**Note:** Jumpers are shown in the default position.

3.21.2 6381 DX or DX2 System Board

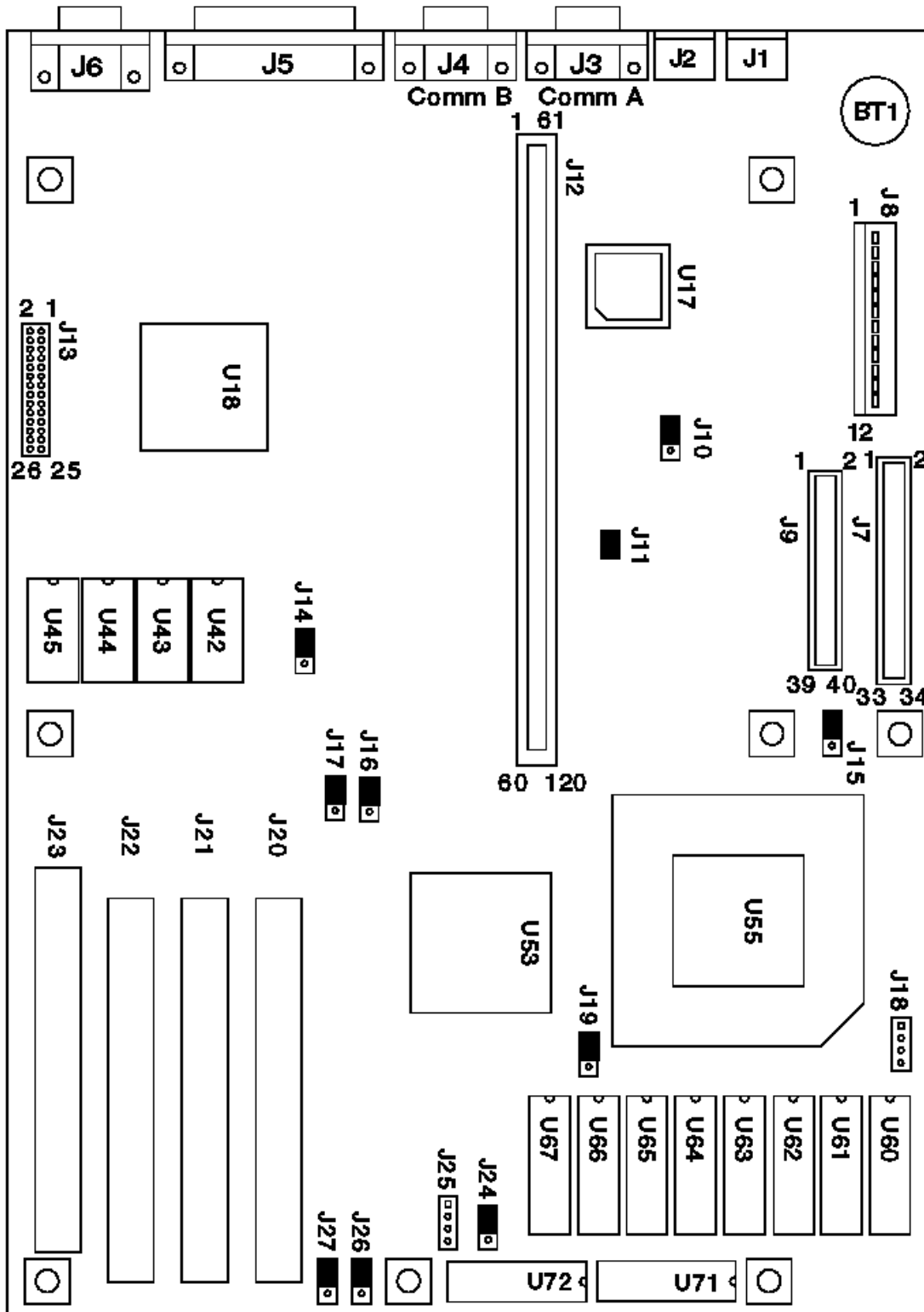


Figure 3. 6381 DX or DX2

Subtopics

3.21.2.1 6381 DX or DX2 System Board

3.21.2.1 6381 DX or DX2 System Board

BT1	Battery
J1	Keyboard Connector
J2	Mouse Port
J3	Serial Port (Comm B)
J4	Serial Port (Comm A)
J5	Parallel Port
J6	Video Port
J7	Hard Disk Connector
J8	Power Supply Connector
J9	Diskette Connector
J10	Flash Memory
J11	Mouse Disable
J12	Riser Card Connector
J13	Video Feature Connector
J14	Video Interrupt Enable
J15	Write Protect
J16	Video Enable
J17	Video Enable
J18	Hard Disk and Power-On LEDs
J19	Cache (Rear = 0 or 128K, Front = 256K)
J20	Memory-Module Socket, MEM 1
J21	Memory-Module Socket, MEM 2
J22	Memory-Module Socket, MEM 3
J23	Memory-Module Socket, MEM 4
J24	Speaker Enable
J25	Speaker Connector
J26	Cache (Rear = 0 or 128K, Front = 256K)
J27	Cache (Rear = 0 or 128K, Front = 256K)
U42	Video Memory Connector
U43	Video Memory Connector
U44	Video Memory Connector
U45	Video Memory Connector
U55	486DX/DX2 (and Upgrade) Processor Socket
U60	External Cache Connector
U61	External Cache Connector
U62	External Cache Connector
U63	External Cache Connector
U64	External Cache Connector
U65	External Cache Connector
U66	External Cache Connector
U67	External Cache Connector
U71	External Cache Enable Connector
U72	External Cache Enable Connector

**Note:** Jumpers are shown in the default position.



3.21.3 6382 325T/S System Board

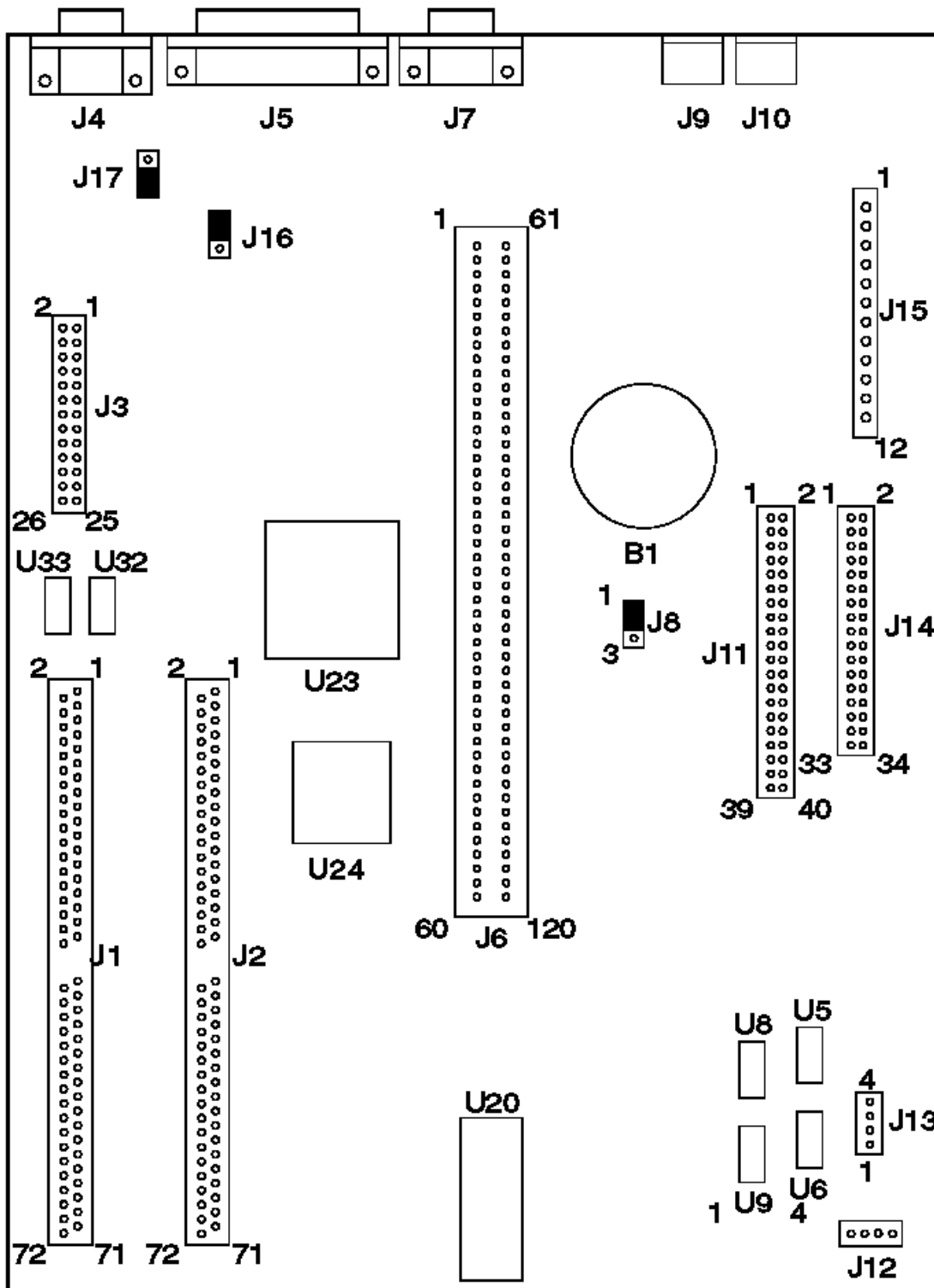


Figure 4. 6382 325T/S

Subtopics

3.21.3.1 6382 325T/S System Board

3.21.3.1 6382 325T/S System Board

B1	Battery
J1	Memory-Module Socket 1
J2	Memory-Module Socket 0
J3	Video Feature Connector
J4	Video Port
J5	Parallel Port
J6	Riser Connector
J7	Serial Port
J8	Password Bypass
J9	Mouse Port
J10	Keyboard Port
J11	Hard Disk Connector
J12	Beeper Bypass
J13	Pins 1 and 2--Power-On LED Pins 3 and 4--Hard Disk LED
J14	Diskette Connector
J15	Power Connector
J16	IRQ9
J17	VGA Enable
U5	512K X 9 System Memory
U6	512K X 9 System Memory
U8	512K X 9 System Memory
U9	512K X 9 System Memory
U20	BIOS
U23	Math Coprocessor
U24	386SLC Processor
U32	256K X 16 Video Memory
U33	256K X 16 Video Memory

3.21.4 6382 /S System Board (Type 1)  
(425SX, 433SX, 433DX, or 466DX2)

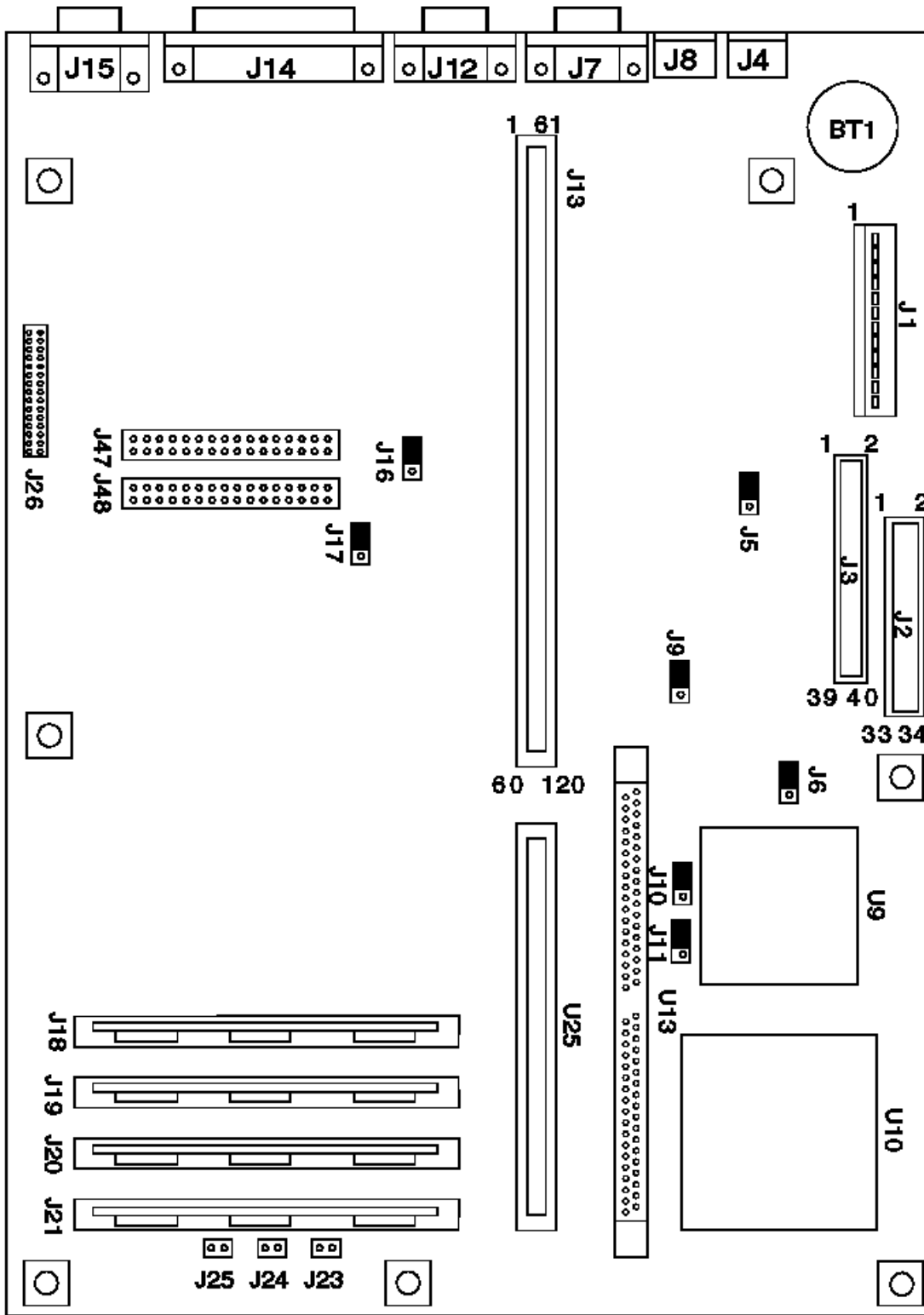


Figure 5. 6382 /S (Type 1)

Subtopics

3.21.4.1 6382 /S System Board (Type 1)

3.21.4.1 6382 /S System Board (Type 1)  
(425SX, 433SX, 433DX, or 466DX2)

BT1	Battery
J1	Power Connector
J2	Diskette Connector
J3	Hard Disk Connector
J4	Keyboard Connector
J5	BootBlock (not used: do not change)
J6	Write Disable
J7	Serial Port (Comm A)
J8	Mouse Port
J9	Password Bypass
J10	Processor Upgrade
J11	Processor Upgrade
J12	Serial Port (Comm B)
J13	Riser Connector
J14	Parallel Port
J15	Video Port
J16	Monochrome Adapter
J17	System Board Video Enable
J18	Memory-Module Socket, MEM 1
J19	Memory-Module Socket, MEM 2
J20	Memory-Module Socket, MEM 3
J21	Memory-Module Socket, MEM 4
J23	Power-On LED
J24	Hard Disk LED
J25	Speaker
J26	Video Feature Connector
J47	Video Memory Connector
J48	Video Memory Connector
U9	486SX Processor
U10	486DX or 486DX2 Processor Upgrade Socket
U13	Cache Socket
U25	Riser Connector Extension

**Note:** Jumpers should be set as shown.

3.21.5 6382 /S System Board (Type 2)  
(425SX, 433SX, 433DX, or 466DX2)

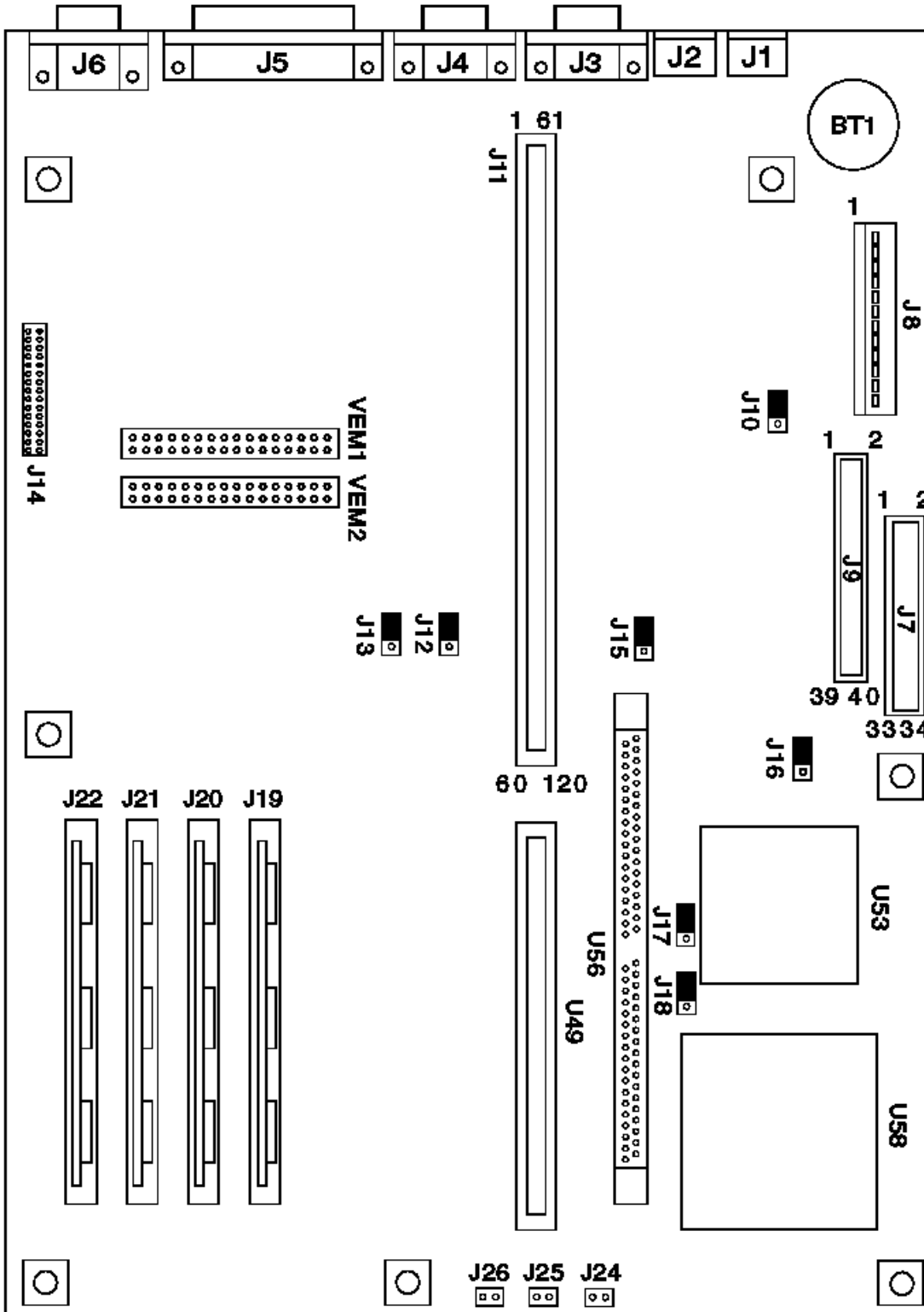


Figure 6. 6382 /S (Type 2)

Subtopics

3.21.5.1 6382 /S System Board (Type 2)

3.21.5.1 6382 /S System Board (Type 2)  
(425SX, 433SX, 433DX, or 466DX2)

BT1	Battery
J1	Keyboard Connector
J2	Mouse Port
J3	Serial Port (Comm A)
J4	Serial Port (Comm B)
J5	Parallel Port
J6	Video Port
J7	Hard Disk Connector
J8	Power Connector
J9	Diskette Connector
J10	BootBlock (not used: do not change)
J11	Riser Connector
J12	Monochrome Adapter
J13	System Board Video Enable
J14	Video Feature Connector
J15	Password Bypass
J16	Write Disable
J17	Processor Upgrade
J18	Processor Upgrade
J19	Memory-Module Socket, MEM 1
J20	Memory-Module Socket, MEM 2
J21	Memory-Module Socket, MEM 3
J22	Memory-Module Socket, MEM 4
J24	Power-On LED
J25	Hard Disk LED
J26	Speaker
U49	Riser Connector Extension
U53	486SX Processor
U56	Cache Socket
U58	486DX or 486DX2 Processor Upgrade Socket
VEM1	Video Memory Connector
VEM2	Video Memory Connector

**Note:** Jumpers should be set as shown.

3.21.6 6384 325T System Board

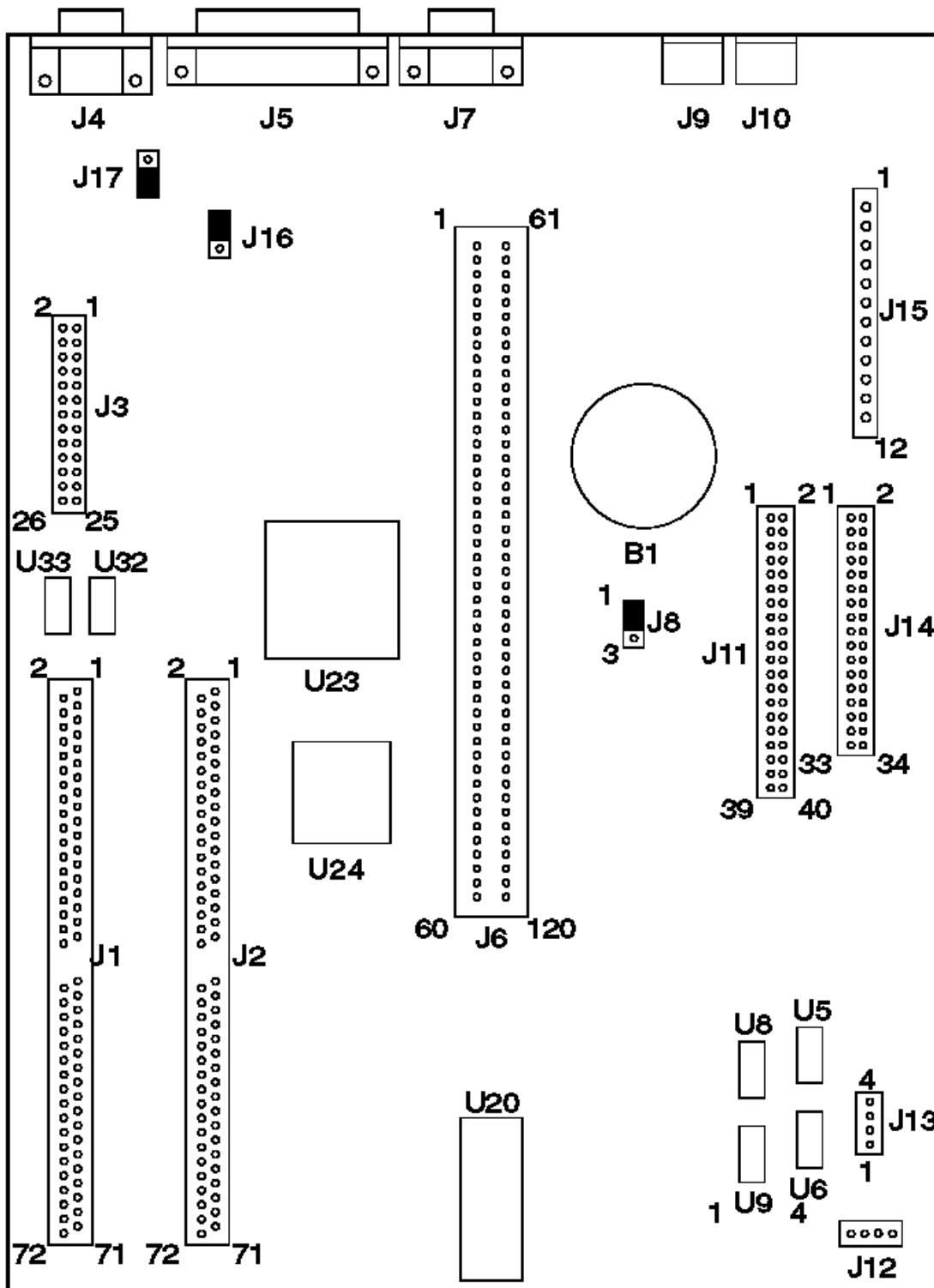


Figure 7. 6384 325T

Subtopics

3.21.6.1 6384 325T System Board

3.21.6.1 6384 325T System Board

B1	Battery
J1	Memory-Module Socket 1
J2	Memory-Module Socket 0
J3	Video Feature Connector
J4	Video Port
J5	Parallel Port
J6	Riser Connector
J7	Serial Port
J8	Password Bypass
J9	Mouse Port
J10	Keyboard Port
J11	Hard Disk Connector
J12	Beeper Bypass
J13	Pins 1 and 2--Power-On LED Pins 3 and 4--Hard Disk LED
J14	Diskette Connector
J15	Power Connector
J16	IRQ9
J17	VGA Enable
U5	512K X 9 System Memory
U6	512K X 9 System Memory
U8	512K X 9 System Memory
U9	512K X 9 System Memory
U20	BIOS
U23	Math Coprocessor
U24	386SLC Processor
U32	256K X 16 Video Memory
U33	256K X 16 Video Memory



3.21.7 6384 425SX System Board

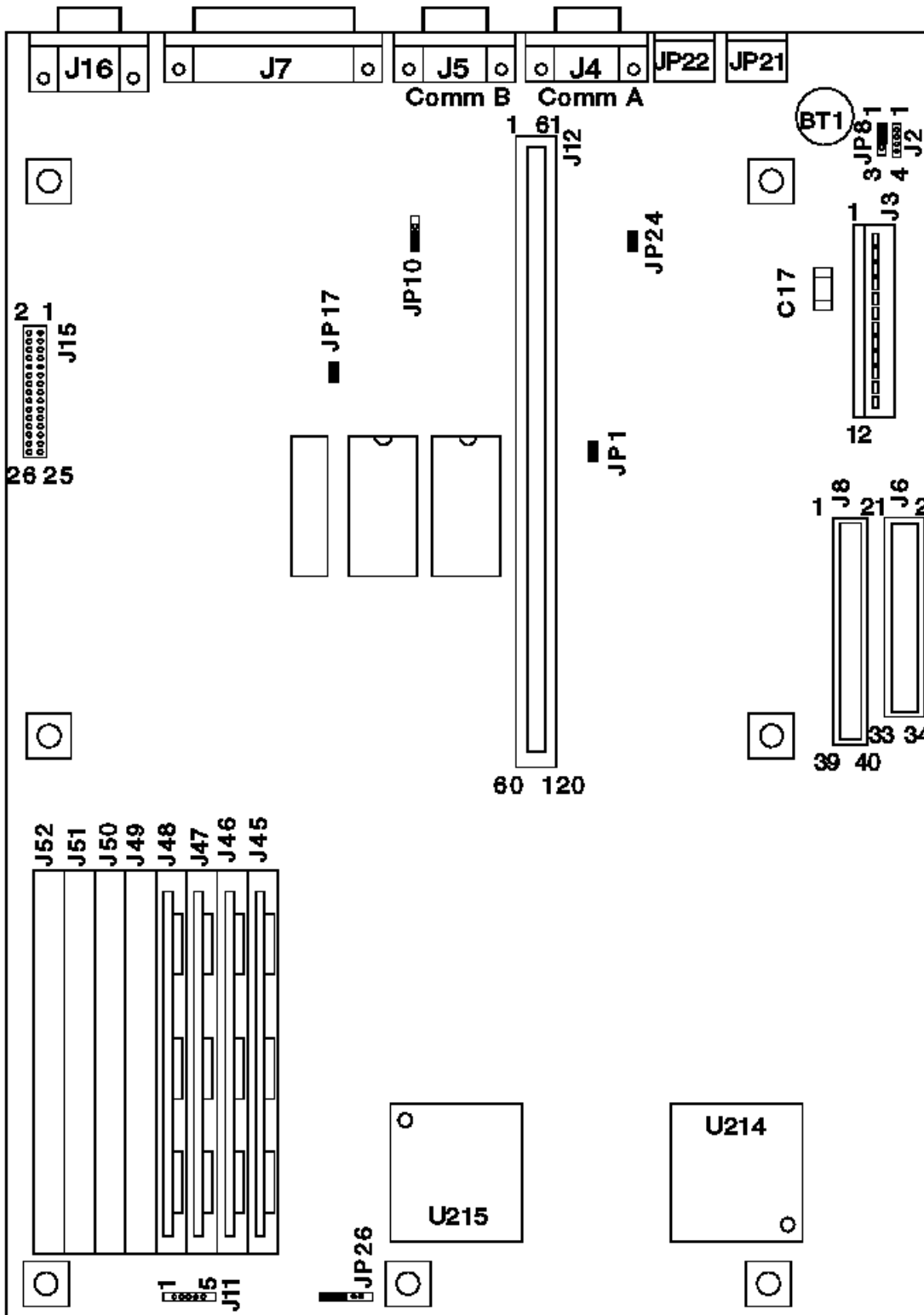


Figure 8. 6384 425SX

Subtopics

3.21.7.1 6384 425SX System Board

3.21.7.1 6384 425SX System Board

BT1	Battery
C17	Capacitor (Used with JP8 to erase password.)
J2	External Battery
J3	Power Connector
J4	Serial Port (Comm A)
J5	Serial Port (Comm B)
J6	Diskette Connector
J7	Parallel Port
J8	Hard Disk Connector
J11	Hard Disk LED (pin 4 and 5) Power-On LED (pin 1 and 2)
J12	Riser Connector
J15	Video Feature Connector
J16	Video Port
J45	Memory-Module Socket Bank 0, 0
J46	Memory-Module Socket Bank 0, 1
J47	Memory-Module Socket Bank 0, 2
J48	Memory-Module Socket Bank 0, 3
J49	Memory-Module Socket Bank 1, 0
J50	Memory-Module Socket Bank 1, 1
J51	Memory-Module Socket Bank 1, 2
J52	Memory-Module Socket Bank 1, 3
JP1	IRQ9
JP8	Battery Select
JP10	VGA Enable
JP17	VGA Enable
JP21	Keyboard Port
JP22	Mouse Port
JP24	Mouse Enable
JP26	Beeper Enable
U214	487SX or 486DX2
U215	486SX Processor

3.21.8 6384 433DX or 466DX2 System Board

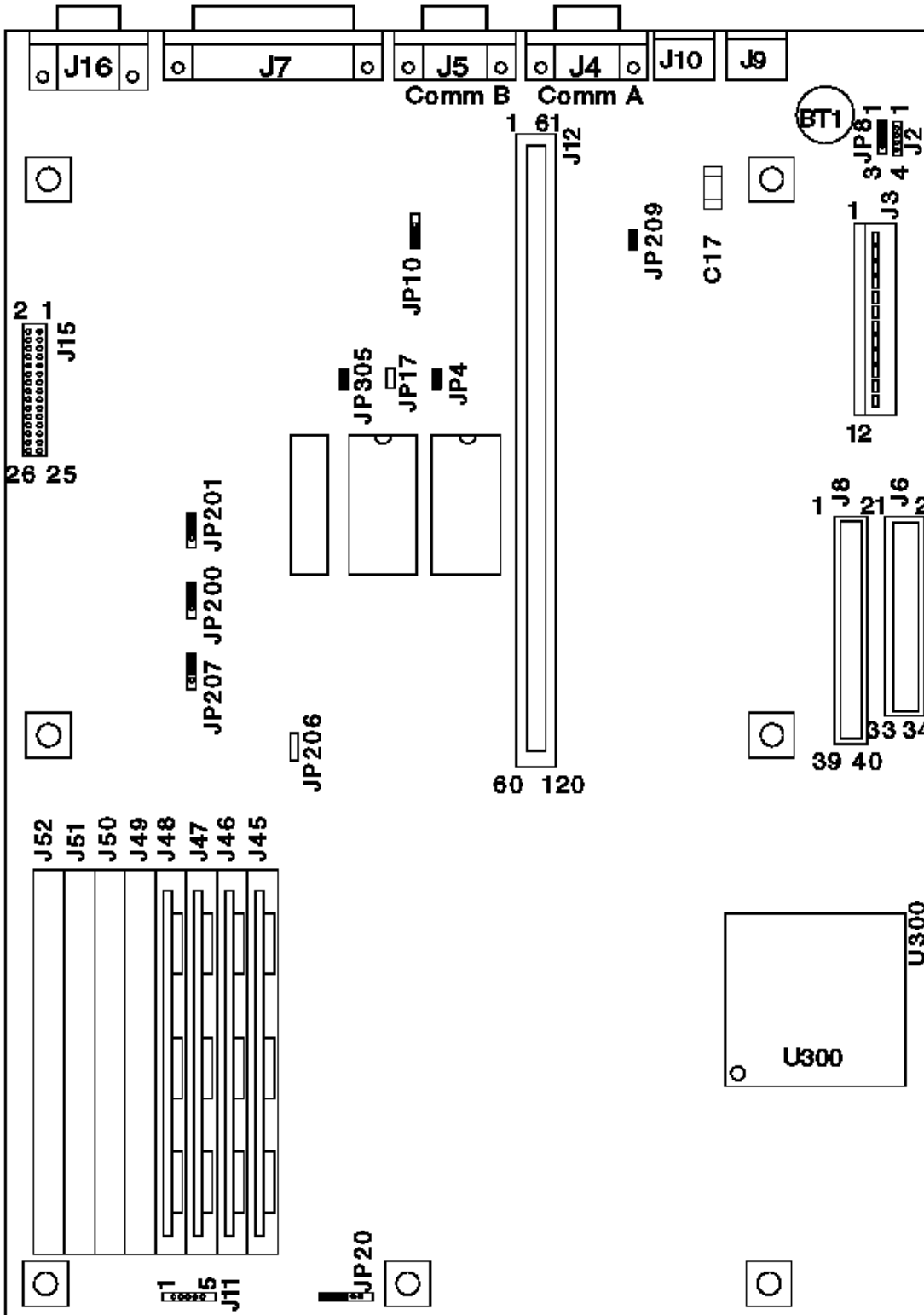


Figure 9. 6384 433DX or 466DX2

Subtopics

3.21.8.1 6384 433DX or 466DX2 System Board

3.21.8.1 6384 433DX or 466DX2 System Board

BT1	Battery
C17	Capacitor (Used with JP8 to erase password.)
J2	External Battery
J3	Power Connector
J4	Serial Port (Comm A)
J5	Serial Port (Comm B)
J6	Diskette Connector
J7	Parallel Port
J8	Hard Disk Connector
J9	Keyboard Connector
J10	Mouse Port
J11	Hard Disk LED (pin 4 and 5) Power-On LED (pin 1 and 2)
J12	Riser Connector
J15	Video Feature Connector
J16	Video Port
J45	Memory-Module Socket Bank 0, 0
J46	Memory-Module Socket Bank 0, 1
J47	Memory-Module Socket Bank 0, 2
J48	Memory-Module Socket Bank 0, 3
J49	Memory-Module Socket Bank 1, 0
J50	Memory-Module Socket Bank 1, 1
J51	Memory-Module Socket Bank 1, 2
J52	Memory-Module Socket Bank 1, 3
JP4	BIOS Select
JP8	Battery Select
JP10	VGA Enable
JP17	VGA Enable
JP20	Beeper Enable
JP200	Cache Configuration
JP201	Cache Configuration
JP206	Cache Configuration
JP207	Cache Configuration
JP209	Mouse Enable
JP305	IRQ9
U300	486DX or 486DX2 Processor

**Note:** Jumpers should be set as shown.

3.21.9 6384 /D System Board (Type 1)  
(425SX, 433SX, 433DX, or 466DX2)

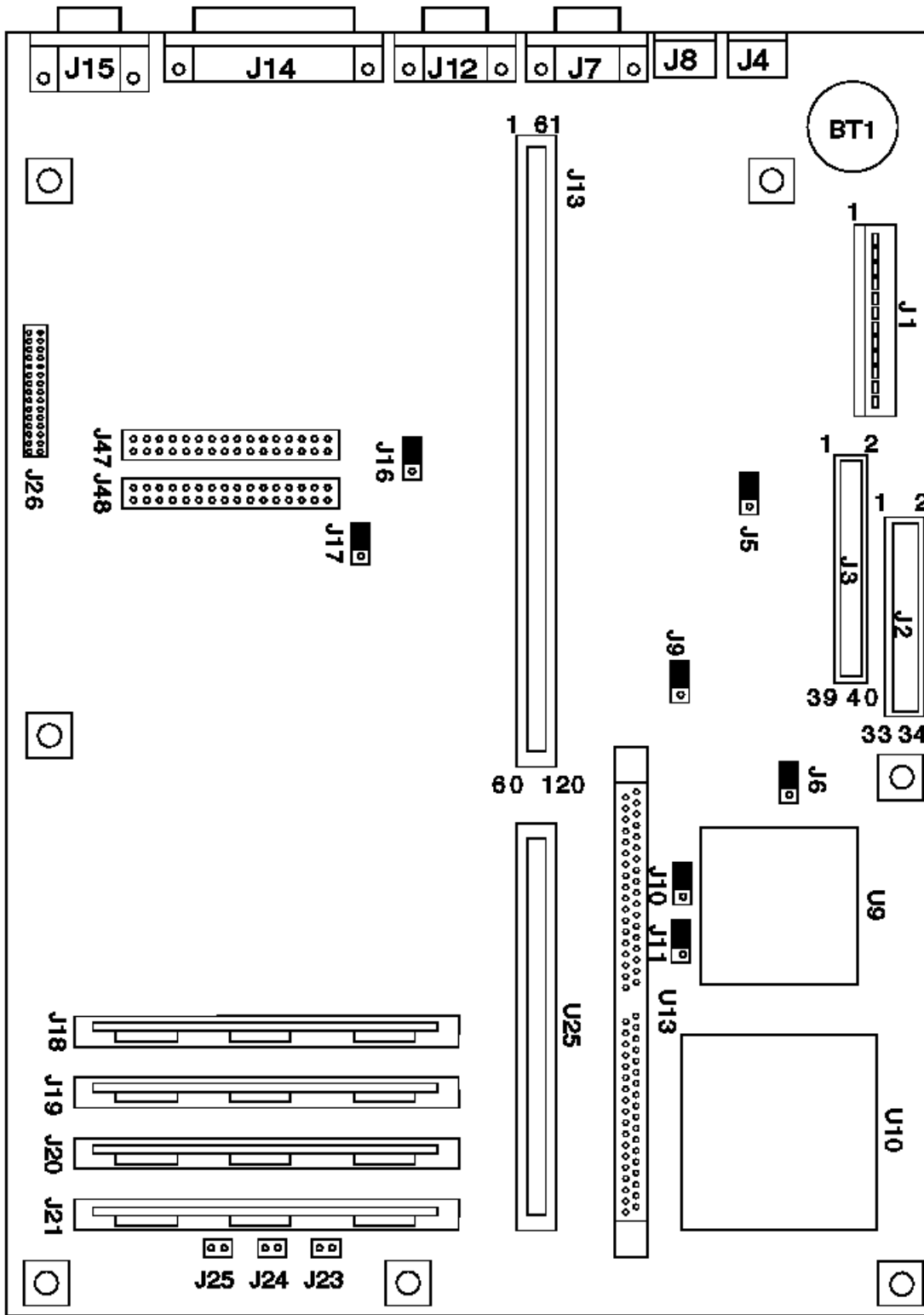


Figure 10. 6384 /D (Type 1)

Subtopics

3.21.9.1 6384 /D System Board (Type 1)

3.21.9.1 6384 /D System Board (Type 1)  
(425SX, 433SX, 433DX, or 466DX2)

BT1	Battery
J1	Power Connector
J2	Diskette Connector
J3	Hard Disk Connector
J4	Keyboard Connector
J5	BootBlock (not used: do not change)
J6	Write Disable
J7	Serial Port (Comm A)
J8	Mouse Port
J9	Password Bypass
J10	Processor Upgrade
J11	Processor Upgrade
J12	Serial Port (Comm B)
J13	Riser Connector
J14	Parallel Port
J15	Video Port
J16	Monochrome Adapter
J17	System Board Video Enable
J18	Memory-Module Socket, MEM 1
J19	Memory-Module Socket, MEM 2
J20	Memory-Module Socket, MEM 3
J21	Memory-Module Socket, MEM 4
J23	Power-On LED
J24	Hard Disk LED
J25	Speaker
J26	Video Feature Connector
J47	Video Memory Connector
J48	Video Memory Connector
U9	486SX Processor
U10	486DX or 486DX2 Processor Upgrade Socket
U13	Cache Socket
U25	Riser Connector Extension

**Note:** Jumpers should be set as shown.

3.21.10 6384 /D System Board (Type 2)  
(425SX, 433SX, 433DX, or 466DX2)

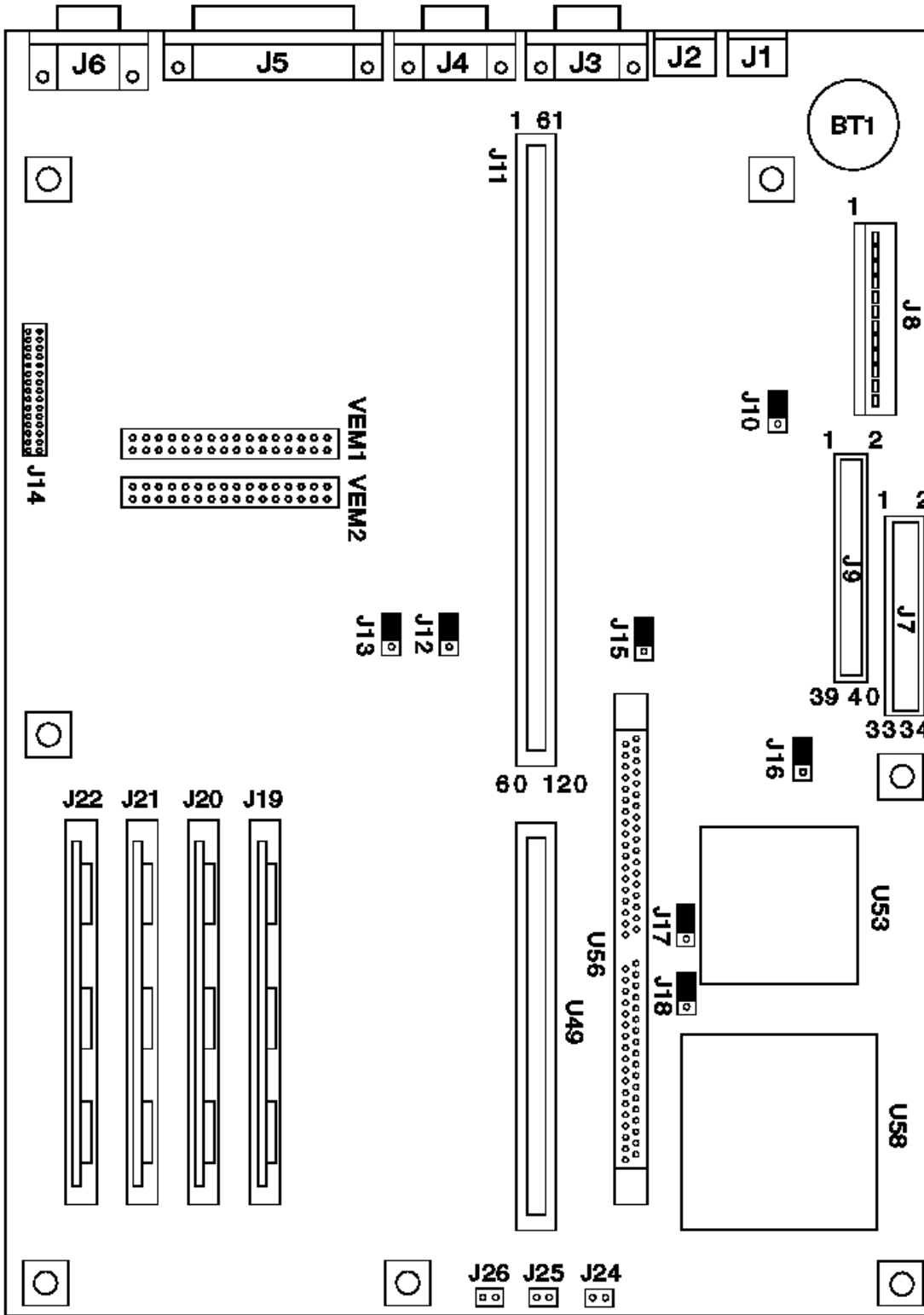


Figure 11. 6384 /D (Type 2)

Subtopics  
3.21.10.1 6384 /D System Board (Type 2)

3.21.10.1 6384 /D System Board (Type 2)  
(425SX, 433SX, 433DX, or 466DX2)

BT1	Battery
J1	Keyboard Connector
J2	Mouse Port
J3	Serial Port (Comm A)
J4	Serial Port (Comm B)
J5	Parallel Port
J6	Video Port
J7	Hard Disk Connector
J8	Power Connector
J9	Diskette Connector
J10	BootBlock (not used: do not change)
J11	Riser Connector
J12	Monochrome Adapter
J13	System Board Video Enable
J14	Video Feature Connector
J15	Password Bypass
J16	Write Disable
J17	Processor Upgrade
J18	Processor Upgrade
J19	Memory-Module Socket, MEM 1
J20	Memory-Module Socket, MEM 2
J21	Memory-Module Socket, MEM 3
J22	Memory-Module Socket, MEM 4
J24	Power-On LED
J25	Hard Disk LED
J26	Speaker
U49	Riser Connector Extension
U53	486SX Processor
U56	Cache Socket
U58	486DX or 486DX2 Processor Upgrade Socket
VEM1	Video Memory Connector
VEM2	Video Memory Connector

**Note:** Jumpers should be set as shown.



3.21.11 6384 P60/D Pentium System Board

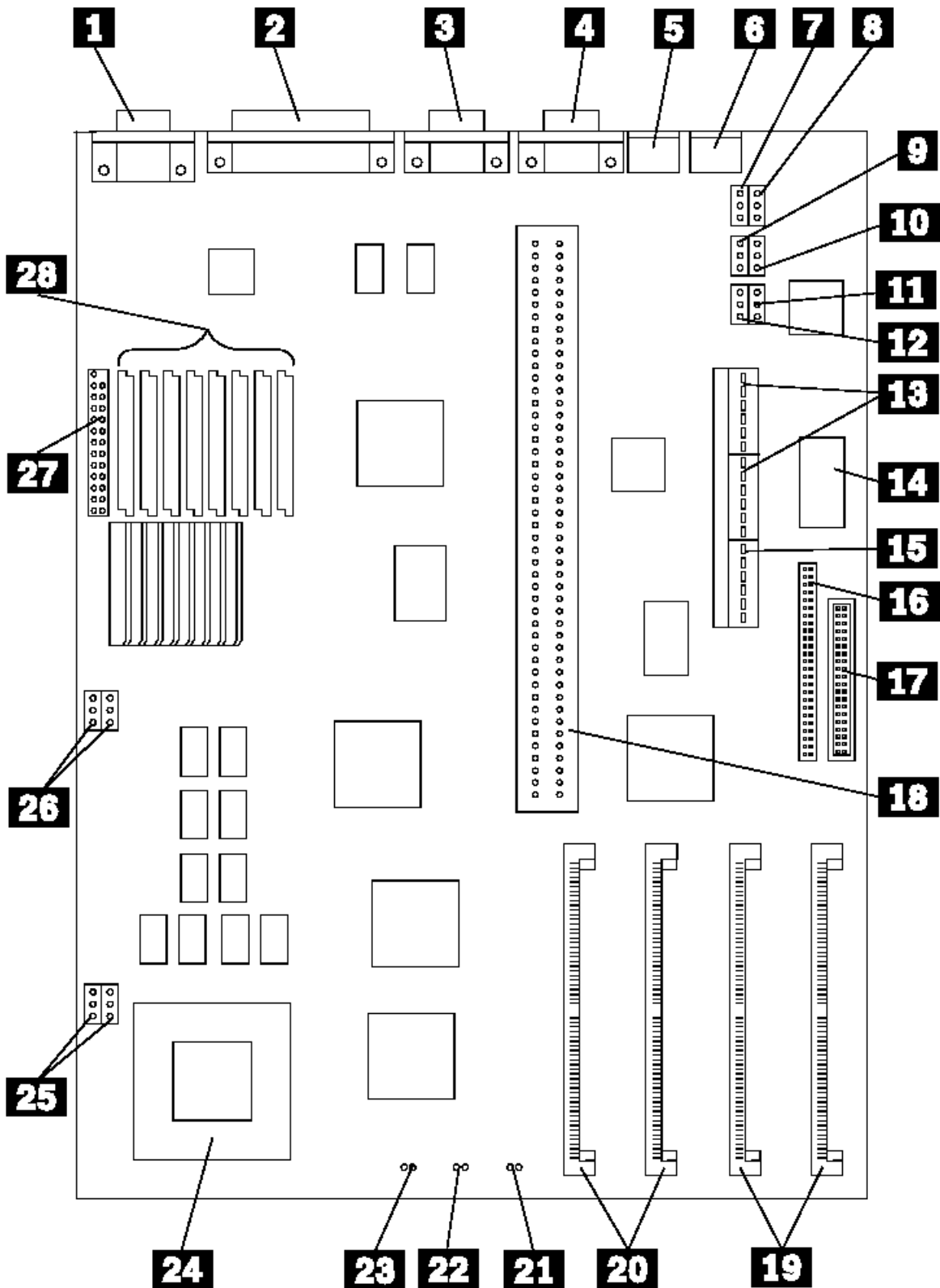


Figure 12. 6384 P60/D Pentium

Subtopics

3.21.11.1 6384 P60/D Pentium System Board

3.21.11.1 6384 P60/D Pentium System Board

- 1 Video Port
- 2 Parallel Port
- 3 Serial Port (Comm B)
- 4 Serial Port (Comm A)
- 5 Mouse Port
- 6 Keyboard Port
- 7 Monochrome/Color
- 8 Setup (Reserved)
- 9 CMOS Normal/Clear
- 10 Password Bypass
- 11 Program Write Protect
- 12 FLASH Recover/Normal
- 13 Power Supply Connectors
- 14 Real-Time Clock
- 15 PCI Power Connector
- 16 Hard Disk Drive Connector
- 17 Diskette Drive Connector
- 18 Riser Connector
- 19 Memory Module Connectors, Bank 0
- 20 Memory Module Connectors, Bank 1
- 21 Power-on LED
- 22 Hard Disk LED
- 23 Speaker
- 24 Pentium Processor
- 25 Fan Power Connectors
- 26 66/60 MHz Jumper (Reserved)
- 27 Video Feature Connector
- 28 Video Memory Connectors

3.21.12 6387 /T System Board (Type 1)  
(433DX or 466DX2)

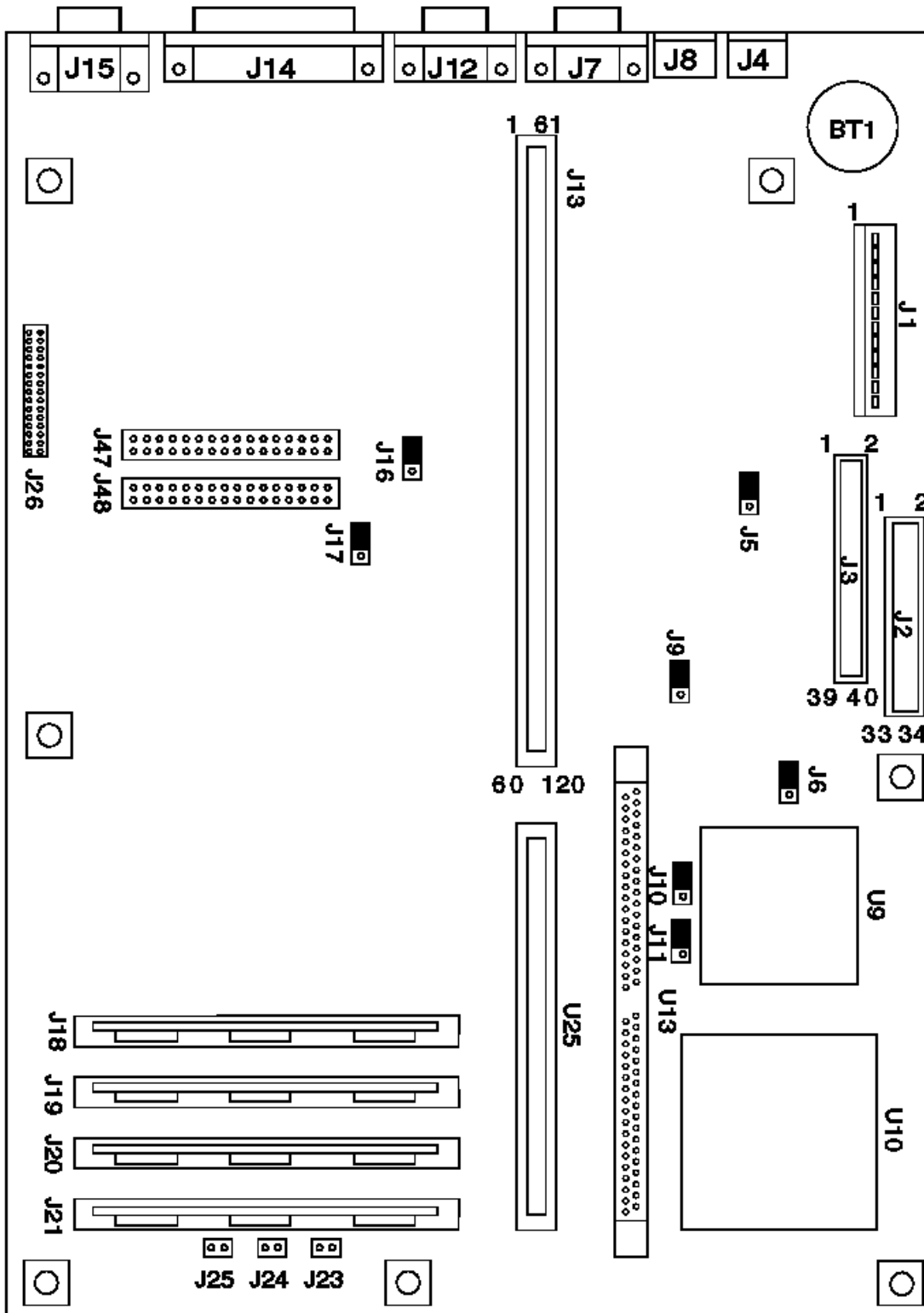


Figure 13. 6387 /T (Type 1)

Subtopics

3.21.12.1 6387 /T System Board (Type 1)

3.21.12.1 6387 /T System Board (Type 1)  
(433DX or 466DX2)

BT1	Battery
J1	Power Connector
J2	Diskette Connector
J3	Hard Disk Connector
J4	Keyboard Connector
J5	BootBlock (not used: do not change)
J6	Write Disable
J7	Serial Port (Comm A)
J8	Mouse Port
J9	Password Bypass
J10	Processor Upgrade
J11	Processor Upgrade
J12	Serial Port (Comm B)
J13	Riser Connector
J14	Parallel Port
J15	Video Port
J16	Monochrome Adapter
J17	System Board Video Enable
J18	Memory-Module Socket, MEM 1
J19	Memory-Module Socket, MEM 2
J20	Memory-Module Socket, MEM 3
J21	Memory-Module Socket, MEM 4
J23	Power-On LED
J24	Hard Disk LED
J25	Speaker
J26	Video Feature Connector
J47	Video Memory Connector
J48	Video Memory Connector
U10	486DX or 486DX2 Processor Upgrade Socket
U13	Cache Socket
U25	Riser Connector Extension

**Note:** Jumpers should be set as shown.

3.21.13 6387 /T System Board (Type 2)  
(433DX or 466DX2)

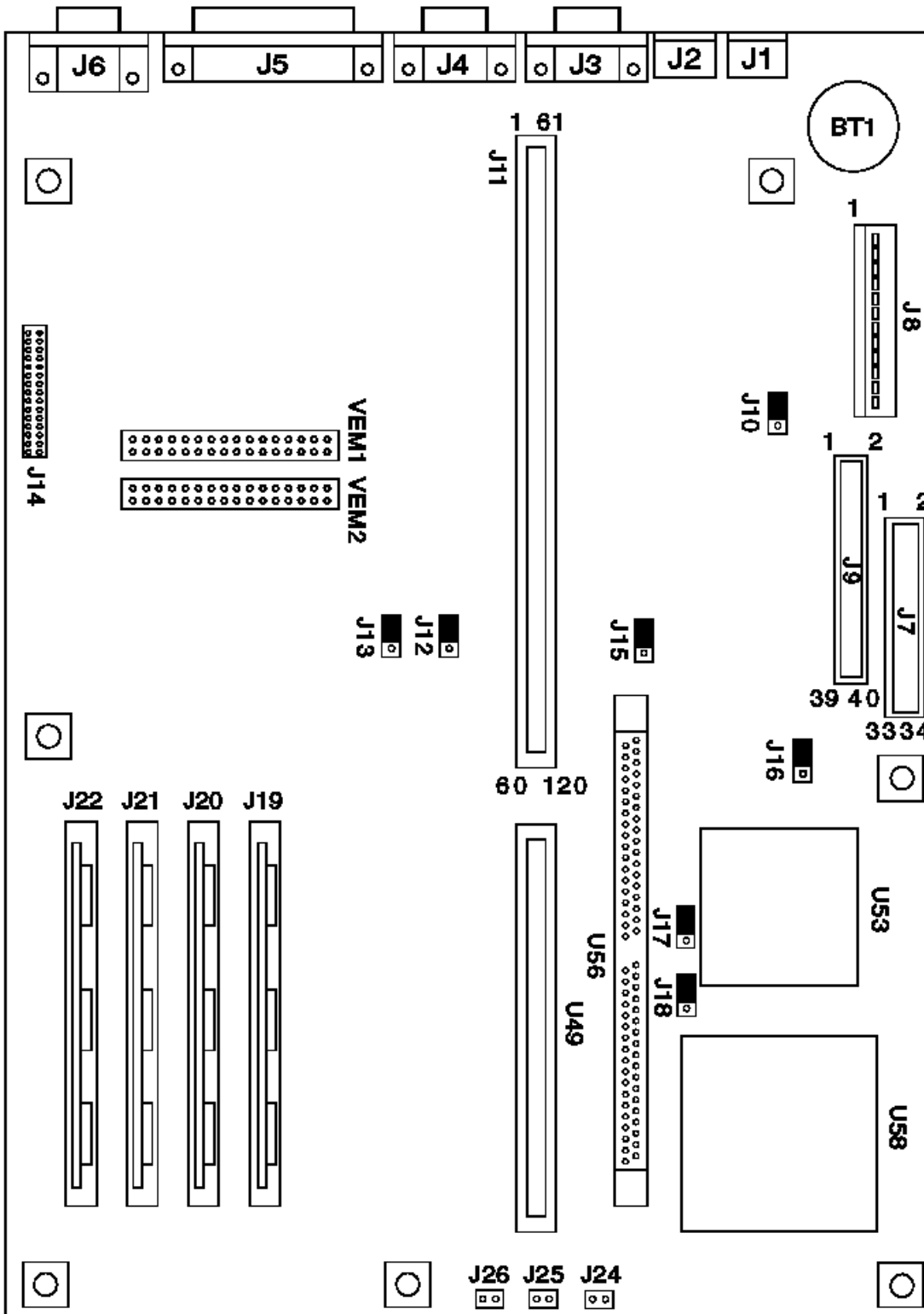


Figure 14. 6387 /T (Type 2)

Subtopics

3.21.13.1 6387 /T System Board (Type 2)

3.21.13.1 6387 /T System Board (Type 2)  
(433DX or 466DX2)

BT1	Battery
J1	Keyboard Connector
J2	Mouse Port
J3	Serial Port (Comm A)
J4	Serial Port (Comm B)
J5	Parallel Port
J6	Video Port
J7	Hard Disk Connector
J8	Power Connector
J9	Diskette Connector
J10	BootBlock (not used: do not change)
J11	Riser Connector
J12	Monochrome Adapter
J13	System Board Video Enable
J14	Video Feature Connector
J15	Password Bypass
J16	Write Disable
J17	Processor Upgrade
J18	Processor Upgrade
J19	Memory-Module Socket, MEM 1
J20	Memory-Module Socket, MEM 2
J21	Memory-Module Socket, MEM 3
J22	Memory-Module Socket, MEM 4
J24	Power-On LED
J25	Hard Disk LED
J26	Speaker
U49	Riser Connector Extension
U56	Cache Socket
U58	486DX or 486DX2 Processor Upgrade Socket
VEM1	Video Memory Connector
VEM2	Video Memory Connector

**Note:** Jumpers should be set as shown.

3.22 System Board Connector Assignments (63XX)

Subtopics

- 3.22.1 Display/Signal
- 3.22.2 Power
- 3.22.3 Parallel Port
- 3.22.4 Serial Port
- 3.22.5 Mouse
- 3.22.6 Keyboard
- 3.22.7 Diskette
- 3.22.8 Hard Disk
- 3.22.9 AT Bus Riser Connector
- 3.22.10 AT Bus Riser Connector (Extension)
- 3.22.11 Video Feature
- 3.22.12 Video Feature (486SX)
- 3.22.13 Memory Module--30 Pin
- 3.22.14 Memory Module--72 Pin

3.22.1 Display/Signal

Pin	Signal Name	I/O
1	Red Video	O
2	Green Video	O
3	Blue Video	O
4	Monitor ID Bit 2	I
5	Sync Ground	
6	Red Ground	
7	Green Ground	
8	Blue Ground	
9	No Connection	
10	Sync Ground	
11	Monitor ID Bit 0	I
12	Monitor ID Bit 1	I
13	Horizontal Sync	O
14	Vertical Sync	O
15	Monitor ID Bit 3	I



3.22.2 Power

Pin	Signal Name
1	Power Good (+5 V dc)
2	+5 V dc
3	+12 V dc
4	-12 V dc
5	Ground
6	Ground
7	Ground
8	Ground
9	-5 V dc
10	+5 V dc
11	+5 V dc
12	+5 V dc

## 3.22.3 Parallel Port

Pin	Signal Name	I/O
1	Strobe	O
2	Data Bit 0	I/O
3	Data Bit 1	I/O
4	Data Bit 2	I/O
5	Data Bit 3	I/O
6	Data Bit 4	I/O
7	Data Bit 5	I/O
8	Data Bit 6	I/O
9	Data Bit 7	I/O
10	Acknowledge	I
11	Busy	I
12	Paper Empty	I
13	Select	O
14	Auto Feed	NA
15	Error	I
16	Initialize	O
17	Select (In)	O
18	Ground	Power
19	Ground	Power
20	Ground	Power
21	Ground	Power
22	Ground	Power
23	Ground	Power
24	Ground	Power
25	Ground	Power

3.22.4 Serial Port

Pin	Signal Name	I/O
1	Data Carrier Detect	I
2	Receive Data	I
3	Transmit Data	O
4	Data Terminal Ready	O
5	Signal Ground	
6	Data Set Ready	I
7	Request To Send	O
8	Clear To Send	I
9	Ring Indicator	I

3.22.5 Mouse

Pin	Signal Name	I/O
1	Data	I/O
2	No Connection	
3	Ground	Power
4	+5 V dc	Power
5	Clock	I/O
6	No Connection	

3.22.6 Keyboard

Pin	Signal Name	I/O
1	Data	I/O
2	No Connection	
3	Ground	Power
4	+5 V dc	Power
5	Clock	I/O
6	No Connection	

3.22.7 Diskette

Pin	Signal Name	I/O
1	Drive 2	
2	Density Select	O
3	No Connection	
4	No Connection	
5	Ground	
6	No Connection	
7	Ground	
8	Index	I
9	Ground	
10	Motor Enable 0	O
11	Ground	
12	Drive Select 1	O
13	Ground	
14	Drive Select 0	O
15	Ground	
16	Motor Enable 1	O
17	Ground	
18	Direction	O
19	Ground	
20	Step	O
21	Ground	
22	Write Data	I
23	Ground	
24	Write Enable	O
25	Ground	
26	Track 0	I
27	Ground	
28	Write Protect	I
29	Ground	
30	Read Data	I
31	Ground	
32	Select Head 1	O
33	Ground	
34	Diskette Change	I

**Note:** The diskette drive signal cable for drive A has a twist for the Drive Select and Motor Enable signals.

3.22.8 Hard Disk

Pin	Signal Name	I/O
1	Host Reset	O
2	Ground	
3	Host Data 7	I/O
4	Host Data 8	I/O
5	Host Data 6	I/O
6	Host Data 9	I/O
7	Host Data 5	I/O
8	Host Data 10	I/O
9	Host Data 4	I/O
10	Host Data 11	I/O
11	Host Data 3	I/O
12	Host Data 12	I/O
13	Host Data 2	I/O
14	Host Data 13	I/O
15	Host Data 1	I/O
16	Host Data 14	I/O
17	Host Data 0	I/O
18	Host Data 15	I/O
19	Ground	Power
20	No Connection	
21	No Connection	
22	Ground	
23	Host IOW	O
24	Ground	Power
25	Host IOR	O
26	Ground	Power
27	No Connection	
28	Host ALE	O
29	No Connection	
30	Ground	Power
31	Host IRQ	I
32	Host IOCS16	O
33	Host A1	O
34	No Connection	
35	Host A0	O
36	Host A2	O
37	Host CS0	O
38	Host CS1	O
39	Host Active	O





3.22.9 AT Bus Riser Connector

Pin	Signal Name	I/O
1	+12 V dc	
2	+5 V dc	
3	Ground	
4	Ground	
5	Reset Drv	O
6	+5 v dc	
7	IRQ9	I
8	-5 V dc	
9	DRQ2	I
10	-12 V dc	
11	OWS	
12	+12 V dc	
13	Ground	
14	SMEMW	O
15	SMEMR	O
16	IOW	I/O
17	IOR	I/O
18	DACK3	O
19	DRQ3	I
20	DACK1	O
21	DRQ1	I
22	Refresh	I/O
23	Computer Clock	O
24	IRQ7	I
25	IRQ6	I
26	IRQ5	I
27	IRQ4	I
28	IRQ3	I
29	DACK2	O
30	T/C	O
31	BALE	O
32	+5 V dc	
33	OSC	I
34	Ground	
35	Ground	
36	+5 V dc	
37	+5 V dc	
38	MEMCS16	I
39	IOCS16	I

40	IRQ10	I
----	-------	---

**AT Bus Riser Connector**

Pin	Signal Name	I/O
41	IRQ11	I
42	Power Good	I
43	IRQ15	I
44	IRQ14	I
45	DACK0	O
46	DRQ0	I
47	DACK5	O
48	DRQ5	I
49	DACK6	O
50	DRQ6	I
51	DACK7	O
52	DRQ7	I
53	+5 V dc	
54	MASTER	I
55	Ground	
56	Ground	
57	Ground	
58	+5 V dc	
59	+5 V dc	
60	+5 V dc	
61	+12 V dc	
62	Ground	
63	Ground	
64	I/O Check	I
65	SD7	I/O
66	SD6	I/O
67	SD5	I/O
68	SD4	I/O
69	SD3	I/O
70	SD2	I/O
71	SD1	I/O
72	SD0	I/O
73	I/O CH Ready	I
74	AEN	O
75	SA19	O
76	SA18	O
77	SA17	O
78	SA16	O

79	SA15	0
80	SA14	0

**AT Bus Riser Connector**

Pin	Signal Name	I/O
81	SA13	0
82	SA12	0
83	SA11	0
84	SA10	0
85	SA9	0
86	SA8	0
87	SA7	0
88	SA6	0
89	SA5	0
90	SA4	0
91	SA3	0
92	SA2	0
93	SA1	0
94	SA0	0
95	Ground	
96	Ground	
97	+5 V dc	
98	SBHE	I/O
99	LA23	I/O
100	LA22	I/O
101	LA21	I/O
102	LA20	I/O
103	LA19	I/O
104	LA18	I/O
105	LA17	I/O
106	MEMR	I/O
107	MEMW	I/O
108	SD8	I/O
109	SD9	I/O
110	SD10	I/O
111	SD11	I/O
112	SD12	I/O
113	SD13	I/O
114	SD14	I/O
115	SD15	I/O
116	Ground	
117	Ground	

118	Ground		
119	+5 V dc		
120	+5 V dc		

Figure 16. AT Bus Riser Connector

3.22.10 AT Bus Riser Connector (Extension)

Pin	Signal Name	I/O
1 A	DAT01	I/O
2 A	DAT03	I/O
3 A	Ground	
4 A	DAT05	I/O
5 A	DAT07	I/O
6 A	DAT09	I/O
7 A	DAT11	I/O
8 A	DAT13	I/O
9 A	DAT15	I/O
10 A	Ground	
11 A	DAT17	I/O
12 A	+5 V dc	I/O
13 A	DAT19	I/O
14 A	DAT21	I/O
15 A	DAT23	I/O
16 A	DAT25	I/O
17 A	Ground	
18 A	DAT27	I/O
19 A	DAT29	I/O
20 A	DAT31	I/O
21 A	ADR30	I/O
22 A	ADR28	I/O
23 A	ADR26	I/O
24 A	Ground	
25 A	ADR24	I/O
26 A	ADR22	I/O
27 A	+5 V dc	I/O
28 A	ADR20	I/O
29 A	ADR18	I/O
30 A	ADR16	I/O
31 A	ADR14	I/O
32 A	ADR12	I/O
33 A	ADR10	I/O
34 A	ADR08	I/O
35 A	Ground	
36 A	ADR06	I/O
37 A	ADR04	I/O
38 A	WBACK	O
39 A	BE0	I/O

AT Bus Riser Connector (Extension)

Pin	Signal Name	I/O
40 A	+5 V dc	I/O
41 A	BE1	I/O
42 A	BE2	I/O
43 A	Ground	
44 A	BE3	I/O
45 A	ADS	I/O
46 A	Not Used	I/O
47 A	Not Used	I/O
48 A	LRDY	I
49 A	LDEV	I
50 A	LREQ	I
51 A	Ground	
52 A	LGNT	O
53 A	+5 V dc	I/O
54 A	ID2	O
55 A	ID3	O
56 A	ID4	O
57 A	LKEN	O
58 A	LEADS	I/O
1 B	DAT00	I/O
2 B	DAT02	I/O
3 B	DAT04	I/O
4 B	DAT06	I/O
5 B	DAT08	I/O
6 B	Ground	
7 B	DAT10	I/O
8 B	DAT12	I/O
9 B	+5 V dc	I/O
10 B	DAT14	I/O
11 B	DAT16	I/O
12 B	DAT18	I/O
13 B	DAT20	I/O
14 B	Ground	
15 B	DAT22	I/O
16 B	DAT24	I/O
17 B	DAT26	I/O
18 B	DAT28	I/O
19 B	DAT30	I/O
20 B	+5 V dc	I/O

AT Bus Riser Connector (Extension)

Pin	Signal Name	I/O
21 B	ADR31	I/O
22 B	Ground	
23 B	ADR29	I/O
24 B	ADR27	I/O
25 B	ADR25	I/O
26 B	ADR23	I/O
27 B	ADR21	I/O
28 B	ADR19	I/O
29 B	Ground	
30 B	ADR17	I/O
31 B	ADR15	I/O
32 B	+5 V dc	I/O
33 B	ADR13	I/O
34 B	ADR11	I/O
35 B	ADR09	I/O
36 B	ADR07	I/O
37 B	ADR05	I/O
38 B	Ground	
39 B	ADR03	I/O
40 B	ADR02	I/O
41 B	(not used)	I/O
42 B	RESET	O
43 B	D/C	I/O
44 B	M/IO	I/O
45 B	W/R	I/O
46 B	Not Used	I/O
47 B	Not Used	I/O
48 B	RDYRTN	O
49 B	Ground	
50 B	IRQ9	I
51 B	BRDY	I/O
52 B	BLAST	I/O
53 B	ID0	O
54 B	ID1	O
55 B	Ground	
56 B	LCLK	O
57 B	+5 V dc	I/O
58 B	LBS16	I/O

Figure 17. AT Bus Riser Connector (Extension)



3.22.11 Video Feature

**Note:** Video feature connector pin assignments for the 486SX processor are on the next page.

Pin	Signal Name	I/O
1	Pixel Data 0	I
2	Ground	
3	Pixel Data 1	I
4	Ground	
5	Pixel Data 2	I
6	Ground	
7	Pixel Data 3	I
8	Enable Ext Pixel Data	O
9	Pixel Data 4	I
10	Enable Ext Sync	O
11	Pixel Data 5	I
12	Enable Ext Pixel Clock	O
13	Pixel Data 6	I
14	No Connection	
15	Pixel Data 7	I
16	Ground	
17	Pixel Clock	I/O
18	Ground	
19	Blanking	
20	Ground	
21	Horizontal Sync	
22	Ground	
23	Vertical Sync	
24	No Connection	
25	Ground	
26	No Connection	

3.22.12 Video Feature (486SX)

Pin	Signal Name	I/O
1	Ground	I
2	Pixel Data 0	
3	Ground	I
4	Pixel Data 2	
5	Pixel Data 1	I
6	Pixel Data 3	
7	Ground	I
8	Pixel Data 4	O
9	Enable Ext Sync	I
10	Enable Ext Pixel Data	O
11	Enable Ext Pixel Clock	I
12	Pixel Data 5	O
13	No Connection	I
14	Pixel Data 6	
15	Ground	I
16	Pixel Data 7	
17	Ground	I/O
18	Pixel Clock	
19	Ground	
20	Blanking	
21	Ground	
22	Horizontal Sync	
23	No Connection	
24	Vertical Sync	
25	No Connection	
26	Ground	

3.22.13 Memory Module--30 Pin

Pin	Signal Name	I/O
1	+5 V dc	I
2	CAS	O
3	D0	I/O
4	A0	O
5	A1	O
6	D1	I/O
7	A2	O
8	A3	O
9	Ground	
10	D2	I/O
11	A4	O
12	A5	O
13	D3	I/O
14	A6	O
15	A7	O
16	D4	I/O
17	A8	O
18	A9	O
19	A10	O
20	D5	I/O
21	WE	O
22	Ground	
23	D6	I/O
24	No Connection	
25	D7	I/O
26	DP Out	I
27	RAS	O
28	CASP	O
29	DP In	O
30	+5 V dc	I

3.22.14 Memory Module--72 Pin

Pin	Signal Name	I/O
1	Ground	
2	SIMMD0	I/O
3	SIMMD0	I/O
4	SIMMD1	I/O
5	SIMMD1	I/O
6	SIMMD2	I/O
7	SIMMD2	I/O
8	SIMMD3	I/O
9	SIMMD3	I/O
10	+5 V dc	I
11	CASP	I
12	MA0	I
13	MA1	I
14	MA2	I
15	MA3	I
16	MA4	I
17	MA5	I
18	MA6	I
19	MA10	I
20	SIMMD4	I/O
21	SIMMD4	I/O
22	SIMMD5	I/O
23	SIMMD5	I/O
24	SIMMD6	I/O
25	SIMMD6	I/O
26	SIMMD7	I/O
27	SIMMD7	I/O
28	MA7	I
29	BS0	I
30	+5 V dc	I
31	MA8	I
32	MA9	I
33	RAS5	I
34	RAS4	I
35	DP0	I
36	DP0	I

Memory Module--72 Pin

Pin	Signal Name	I/O
-----	-------------	-----

37	DP1	I
38	DP1	I
39	Ground	I
40	BCAS0	I
41	BCAS2	I
42	BCAS3	I
43	BCAS1	I
44	RAS4	I
45	RAS5	I
46	BS1	I
47	AWE	I
48	Open	
49	SIMMD8	I/O
50	SIMMD8	I/O
51	SIMMD9	I/O
52	SIMMD9	I/O
53	SIMMD10	I/O
54	SIMMD10	I/O
55	SIMMD11	I/O
56	SIMMD11	I/O
57	SIMMD12	I/O
58	SIMMD12	I/O
59	+5 V dc	I
60	SIMMD13	I/O
61	SIMMD13	I/O
62	SIMMD14	I/O
63	SIMMD14	I/O
64	SIMMD15	I/O
65	SIMMD15	I/O
66	BS2	I
67	PD1	O
68	PD2	O
69	PD3	O
70	PD4	I
71	BS3	I
72	Ground	

Figure 18. Memory Module--72 Pin

3.23 PS/VP Computer Features (63XX)

**Note:** In the following table, DD refers to Diagnostic Diskette type and S/B refers to Slots and Bays.

Model 6381

Type	Processor	DD	S/B	Memory	Hrd Dsk
6381/Si-F00	486SX-25	3	3/3	4M/64M	None
6381/Si-F30	486SX-25	3	3/3	4M/64M	120M
6381/Si-F50	486SX-33	3	3/3	4M/64M	212M
6381/Si-K00	486DX-33	3	3/3	4M/64M	None
6381/Si-K30	486DX-33	3	3/3	4M/64M	120M
6381/Si-K50	486DX-33	3	3/3	4M/64M	212M
6381/Si-W00	486DX2-33/66	3	3/3	4M/64M	None
6381/Si-W30	486DX2-33/66	3	3/3	4M/64M	120M
6381/Si-W50	486DX2-33/66	3	3/3	4M/64M	212M

Model 6382

Type	Processor	DD	S/B	Memory	Hrd Dsk
6382/S-F00	486SX-25	2	3/3	4M/64M	none
6382/S-F30	486SX-25	2	3/3	4M/64M	120M
6382/S-F50	486SX-25	2	3/3	4M/64M	245M
6382/S-F51	486SX-25	2	3/3	8M/64M	245M
6382/S-FY1	486SX-25	2	3/3	4M/64M	TokenRing
6382/S-FZ0	486SX-25	2	3/3	4M/64M	Ethernet/Twist
6382/S-FZ1	486SX-25	2	3/3	4M/64M	Ethernet/Coax
6382/S-K00	486SX-33	2	3/3	4M/64M	none
6382/S-K30	486SX-33	2	3/3	4M/64M	120M
6382/S-K50	486SX-33	2	3/3	8M/64M	245M
6382/S-K51	486SX-33	2	3/3	8M/64M	245M OS2
6382/S-KY0	486SX-33	2	3/3	4M/64M	TokenRing
6382/S-KZ0	486SX-33	2	3/3	4M/64M	Ethernet/Twist
6382/S-KZ1	486SX-33	2	3/3	4M/64M	Ethernet/Coax
6382/S-M00	486DX-33	2	3/3	4M/64M	none
6382/S-M30	486DX-33	2	3/3	4M/64M	120M
6382/S-M50	486DX-33	2	3/3	4M/64M	245M
6382/S-M51	486DX-33	2	3/3	8M/64M	245M OS2
6382/S-W50	486DX2-33/66	2	3/3	4M/64M	245M
6382/S-W51	486DX2-33/66	2	3/3	8M/64M	245M OS2

Model 6384

Type	Processor	DD	S/B	Memory	Hrd Dsk
6384-C00	386SLC-25	1	5/5	2M/16M	none
6384-C20	386SLC-25	1	5/5	2M/16M	80M
6384-C40	386SLC-25	1	5/5	2M/16M	170M
6384/D-F00	486SX-25	2	5/5	4M/32M	none
6384/D-G00	486SX-25	2	5/5	4M/32M	none
6384-F20	486SX-25	1	5/5	8M/32M	80M
6384/D-F30	486SX-25	2	5/5	8M/32M	120M
6384-F40	486SX-25	1	5/5	8M/32M	170M
6384/D-F50	486SX-25	2	5/5	4M/32M	245M
6384/D-F51	486SX-25	2	5/5	8M/32M	245M OS2
6384/D-G00	486SX-25	2	5/5	4M/32M	none
6384/D-G40	486SX-25	2	5/5	4M/32M	170M
6384/D-G41	486SX-25	2	5/5	8M/32M	170M
6384/D-G50	486SX-25	2	5/5	4M/32M	245M
6384/D-G53	486SX-25	2	5/5	8M/32M	245M OS2
6384/D-K02	486SX-33	2	5/5	4M/32M	none
6384/D-K30	486SX-33	2	5/5	4M/32M	120M
6384/D-K70	486SX-33	2	5/5	4M/32M	340M
6384/D-K71	486SX-33	2	5/5	8M/32M	340M OS2

Model 6384 (continued)

Type	Processor	DD	S/B	Memory	Hrd Dsk
6384/D-L00	486SX-33	2	5/5	4M/32M	none
6384/D-L40	486SX-33	2	5/5	4M/32M	170M
6384/D-L41	486SX-33	2	5/5	8M/32M	170M
6384/D-L50	486SX-33	2	5/5	4M/32M	245M
6384/D-L53	486SX-33	2	5/5	8M/32M	245M OS2
6384/D-M01	486DX-33	2	5/5	4M/64M	none
6384/D-M30	486DX-33	2	5/5	4M/64M	120M
6384-M40	486DX-33	1	5/5	8M/64M	120M

**Type 63XX, 64XX IBM PS/ValuePoint HMM - 07/96**  
**PS/VP Computer Features (63XX)**

6384-M50	486DX-33	1	5/5	8M/64M	212M
6384/D-M70	486DX-33	2	5/5	8M/64M	340M
6384/D-M71	486DX-33	2	5/5	8M/64M	340M OS2
6384/D-N00	486DX-33	2	5/5	4M/64M	none
6384/D-N50	486DX-33	2	5/5	4M/64M	212M
6384/D-N51	486DX-33	2	5/5	8M/64M	212M
6384/D-N53	486DX-33	2	5/5	8M/64M	212M OS2
6384/D-N70	486DX-33	2	5/5	4M/64M	340M
6384/D-N73	486DX-33	2	5/5	8M/64M	340M OS2
6384/D-P60	Pentium-60	4	5/5	16M/128M	420M
6384/D-V00	486DX2-25/50	2	5/5	4M/64M	none
6384/D-V50	486DX2-25/50	2	5/5	4M/64M	212M
6384/D-V51	486DX2-25/50	2	5/5	8M/32M	212M
6384/D-V70	486DX2-25/50	2	5/5	4M/64M	340M
6384/D-V73	486DX2-25/50	2	5/5	8M/64M	340M OS2
6384/D-W01	486DX2-33/66	2	5/5	4M/64M	none
6384/D-W50	486DX2-33/66	2	5/5	4M/64M	245M
6384-W52	486DX2-33/66	1	5/5	4M/32M	212M
6384/D-W70	486DX2-33/66	2	5/5	4M/64M	340M
6384/D-W71	486DX2-33/66	2	5/5	8M/64M	340M OS2
6384/D-X00	486DX2-33/66	2	5/5	4M/64M	none
6384/D-X50	486DX2-33/66	2	5/5	4M/64M	212M
6384/D-X51	486DX2-33/66	2	5/5	8M/64M	212M
6384/D-X70	486DX2-33/66	2	5/5	4M/64M	340M
6384/D-X73	486DX2-33/66	2	5/5	8M/64M	340M OS2

**Model 6387**

<b>Type</b>	<b>Processor</b>	<b>DD</b>	<b>S/B</b>	<b>Memory</b>	<b>Hrd Dsk</b>
6387/T-M00	486DX-33	2	6/8	4M/64M	none
6387/T-M70	486DX-33	2	6/8	4M/64M	340M
6387/T-M71	486DX-33	2	6/8	8M/64M	340M
6387/T-N00	486DX-33	2	6/8	4M/64M	none
6387/T-N50	486DX-33	2	6/8	4M/64M	212M
6387/T-N70	486DX-33	2	6/8	4M/64M	340M
6387/T-N71	486DX-33	2	6/8	8M/64M	340M
6387/T-N73	486DX-33	2	6/8	8M/64M	340M OS2
6387/T-W00	486DX2-33/66	2	6/8	4M/64M	none
6387/T-W90	486DX2-33/66	2	6/8	4M/64M	527M
6387/T-W91	486DX2-33/66	2	6/8	8M/64M	527M OS2
6387/T-V00	486DX2-25/50	2	6/8	4M/64M	none
6387/T-V50	486DX2-25/50	2	6/8	4M/64M	212M
6387/T-V81	486DX2-25/50	2	6/8	8M/64M	420M
6387/T-V83	486DX2-25/50	2	6/8	8M/64M	420M OS2
6387/T-X00	486DX2-33/66	2	6/8	4M/64M	none
6387/T-X70	486DX2-33/66	2	6/8	4M/64M	340M
6387/T-X91	486DX2-33/66	2	6/8	8M/64M	527M
6387/T-X93	486DX2-33/66	2	6/8	8M/64M	527M OS2

4.0 Hardware Maintenance Reference (64XX)

Subtopics

- 4.1 Product Description (64XX)
- 4.2 Specifications (6472)
- 4.3 Specifications (6482, 6484)
- 4.4 Specifications (6492, 6494)
- 4.5 Hard Disk Drive Specifications (64XX)
- 4.6 Diagnostics and Test Information (64XX)
- 4.7 Hard Disk Drive Jumper Settings (64XX)
- 4.8 Computer Exploded View (6472)
- 4.9 Computer Exploded View (6482, 6484)
- 4.10 Computer Exploded View (6492, 6494)
- 4.11 PS/VP Computer Features (64XX)



#### 4.1 Product Description (64XX)

Type 6472 computers contain three drive bays and three I/O adapter card slots. Type 6482 computers contain five drive bays and five I/O adapter card slots. Type 6484 computers contain five drive bays and four I/O adapter card slots. Type 6492 computers contain six drive bays and eight I/O adapter card slots. Type 6494 computers contain six drive bays and seven I/O adapter card slots.

##### □ **Security**

- Administrator password
- Cover lock
- Hard Disk password
- Power-on password
- U-bolt and cable

##### □ **System Board (All Type 64XX)**

Model 6472, 6482, 6484, 6492, and 6494

- 64XX models using the 486SX processor have no math coprocessor. All other 64XX models have a built-in math coprocessor.
- Supports at least 8KB internal cache and up to 256KB external cache.
- RAM is installed directly onto the system board using industry standard, 72-pin, 70 ns parity memory modules. There are four sockets to allow a maximum of 128 MB (4MB, 8MB, 16MB, and 32MB memory modules are supported). Refer to "Computer Memory" in topic 3.12.
- 1 MB of Video memory (DRAM) is soldered on the system board. Two video DRAM sockets allow a maximum of 2MB of video DRAM.
- Ports include: two serial, one parallel, one keyboard, one mouse, and one video.
- Connectors for AT (\*) riser card (120-pin), VESA (\*\*) / PCI (116-pin), input power (12-pin), AT diskette drives (34-pin), Two AT hard disk drive connectors (40-pin each), power LED (2-pin), hard disk LED (2-pin), speaker (2-pin), and video feature (26-pin).
- Lithium battery

##### □ **Power Supplies** (with CPU power switch)

- Type 64XX computers have either a 100W, 200W, or a 250W universal voltage power supply with a fan and a connector for a detachable grounded 3-wire power cord. The power cable has five DASD connectors (one 3.5-inch diskette drive minipower connector, and four standard 4-pin power connectors).

The 250W power supply has an additional PCI riser connector.

When the computer is powered off for 15 seconds or more and then powered on, the power supply generates a "power good" signal that resets the computer logic.

##### □ **Cables**

- Two signal cables for hard disk drives and one signal cable for diskette drives

##### □ **Diskette Drives**

- 3.5-inch 1.44MB Slimline diskette drive
- 3.5-inch 2.88MB Slimline diskette drive (optional)
- 5.25-inch 1.2MB diskette drive (optional)

##### □ **IDE Hard Disk Drives**

Hard disks are 3.5-inch Slimline AT drives

- 170MB with 96/128KB read/write buffer
- 270MB with 96KB read/write buffer
- 340MB with 96/128KB read/write buffer
- 364MB with 96KB read/write buffer
- 527MB with 256KB read/write buffer
- 540MB with 96KB read/write buffer
- 728MB with 96KB read/write buffer

##### □ **Keyboard**

- Enhanced 101- or 102-key keyboard
- 84-key keyboard (optional)
- 122 Host-Connected keyboard (optional)
- TrackPointII (optional)  
with 1.8 m (6 ft.) cable

##### □ **Mouse** 2-button PS/2 with 1.8 m (6 ft.) cable

(\*) Trademark of the IBM Corporation.

(\*\*) Trademark of the Video Electronics Standards Association.

#### Subtopics

##### 4.1.1.1 Power-On Password (64XX)

4.1.1 Power-On Password (64XX)

A power-on password denies access to the computer by an unauthorized user when the computer is powered on. When a power-on password is active, the password prompt appears on the screen each time the computer is powered on. The computer starts after the proper password is entered.

Subtopics

4.1.1.1 Removing a Power-on Password

4.1.1.1 *Removing a Power-on Password*

To service a 64XX computer with an active and unknown power-on password, power-off the computer and do the following:

1. Remove the battery for 15 minutes.
2. Reinstall the battery.
3. Power-on the computer. The password is erased from memory.

**Note:** Remind the user to enter a new password when service is complete.

4.2 Specifications (6472)

(Minimum configuration)

System Unit Size:

- Width: 360 mm (14.2 in.)
- Depth: 420 mm (16.5 in.)
- Height: 122 mm (4.8 in.)

System Unit Weight:

- 8.1 kg (17.8 lb)

Environment:

- Temperature (System Unit and Display)
  - Power on: 10 to 32 degrees C (50 to 90 degrees F)
  - Power off: 10 to 43 degrees C (50 to 110 degrees F)
- Humidity (System Unit and Display)
  - Power on: 8% to 80%
  - Power off: 8% to 80%
- Maximum altitude: 2134 m (7000 ft.)

Heat output:

- 120 BTU/hr

Electrical:

- Input voltage (sinewave input is required)
  - Low Range
    - Minimum: 90 V ac
    - Maximum: 137 V ac
  - High Range
    - Minimum: 180 V ac
    - Maximum: 265 V ac

#### 4.3 Specifications (6482, 6484)

(Minimum configuration)

System Unit Size:

- Width: 404 mm (15.9 in.)
- Depth: 420 mm (16.5 in.)
- Height: 147 mm (5.8 in.)

System Unit Weight:

- 9.7 kg (21.4 lb)

Environment:

- Temperature (System Unit and Display)
  - Power on: 10 to 32 degrees C (50 to 90 degrees F)
  - Power off: 10 to 43 degrees C (50 to 110 degrees F)
- Humidity (System Unit and Display)
  - Power on: 8% to 80%
  - Power off: 8% to 80%
- Maximum altitude: 2134 m (7000 ft.)

Heat output:

- 120 BTU/hr

Electrical:

- Input voltage (sinewave input is required)
  - Low Range
    - Minimum: 90 V ac
    - Maximum: 137 V ac
  - High Range
    - Minimum: 180 V ac
    - Maximum: 265 V ac

4.4 Specifications (6492, 6494)

(Minimum configuration)

System Unit Size:

- Width: 187 mm (7.4 in.)
- Depth: 429 mm (16.9 in.)
- Height: 413 mm (16.3 in.)

System Unit Weight:

- 11.4 kg (25 lb)

Environment:

- Temperature, System Unit and Display
  - Power on: 10 to 32 degrees C (50 to 90 degrees F)
  - Power off: 10 to 43 degrees C (50 to 110 degrees F)
- Humidity, System Unit and Display
  - Power on: 8% to 80%
  - Power off: 8% to 80%
- Maximum altitude: 2134 m (7000 ft.)

Heat output:

- 934 Btu/hr (maximum configuration)

Electrical:

- Input voltage (sinewave input is required)
  - Low Range
    - Minimum: 90 V ac
    - Maximum: 137 V ac
  - High Range
    - Minimum: 180 V ac
    - Maximum: 265 V ac

4.5 Hard Disk Drive Specifications (64XX)

Size (MB)	170	270	270	340	364
Bytes/Sector	512	512	512	512	512
Sectors/Track	34	40	40	55/48	48
Cylinders	984	944	944	1010/ 872	929
Heads	10	14	14	6/16	16
Rotate Speed (RPM)	3600/ 3551	4500	4500	3322/ 3600	4500
Transfer Rate (Mb/sec)	13.3/ 9.0	30-44/ 24-46	66/48	17-30/ 19-26	30-44/ 66
Seek Time (ms):					
Track-to-Track	5.0	12	12	4.5	12
Average	18.5	2/4	2/4	14.0	2
Maximum	32.5	25/23	25/23	29.0	25
Interleave Factor	1:1	1:1	1:1	1:1	1:1
Recording Method	1,7 RLL	PRML RLL	1,7 RLL	1,7 RLL	1,7 RLL
dc Power:					
+5 V Tolerance	±5%	±5%	±5%	±5%	±5%
+12 V Tolerance	±8%	±8%	±8%	±8%	±8%
Power (W):					
Idle (typical)	3.2/3.7	2.6/3.2	2.6/3.2	2.0	2.6
Seek (typical)	3.5/3.9	5.3/6.7	5.3/6.7	3.0	5.3
Startup (typical)	8.3/10.0	15.9/13	15.9/13	12.0	15.9

Size (MB)	527	540	540	728
Bytes/Sector	512	512	512	512
Sectors/Track	63	63	63	63
Cylinders	1024	1049	1049	1416
Heads	16	16	16	16
Rotate Speed (RPM)	6300	4500	4500	4500
Transfer Rate (Mb/sec)	22-44	30-44/ 24-46	66/48	30-44/ 66
Seek Time (ms):				
Track-to-Track	2.0	12	12	12
Average	9.0	2/4	2/4	2
Maximum	20.0	25/23	25/23	25
Interleave Factor	1:1	1:1	1:1	1:1
Recording Method	1, 7 RLL	1, 7 RLL	PRML RLL	1, 7 RLL
dc Power:				
+5 V Tolerance	±5%	±5%	±5%	±5%
+12 V Tolerance	±8%	±8%	±8%	±8%
Power (W):				
Idle (typical)	7.0	2.7/3.8	2.7/3.8	2.7
Seek, R/W (typical)	11.0	5.4/7.4	5.4/7.4	5.4
Startup (typical)	30.5	15.9/13.3	15.9/13.3	15.9

*4.6 Diagnostics and Test Information (64XX)*

The following information is helpful when diagnosing computer problems on types 6472, 6482, 6484, 6492, and 6494.

Subtopics

- 4.6.1 Power-On Self Test (64XX)
- 4.6.2 Diagnostics Diskette (64XX)
- 4.6.3 Diagnostic Menus (64XX)
- 4.6.4 Error Log (64XX)



4.6.1 Power-On Self Test (64XX)

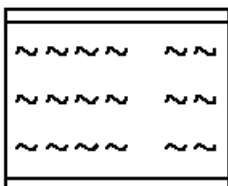
Each time you power-on the computer, the power-on self test (POST) is initiated. The POST takes up to 90 seconds to complete, depending on the options installed.

The POST checks the following:

- System board
- Memory
- Video
- Hard disk drive(s)
- Diskette drive(s)
- Keyboard
- Mouse
- Parallel port
- Serial port(s)

To start the POST, power-on the display and the computer. The following happens:

1. The following icon



appears at the upper-right corner of the display. Pressing F1 at this time causes the Configuration Utility menu to appear after the POST has completed.

2. A count of the computer memory appears at the upper-left corner of the display.

**Note:** You can press **Esc** to speed through the memory count during POST.

3. If an error is detected, an error code appears under the computer memory count.

**Note:** Memory errors appear as 2XX in the upper-left corner of the display (X can be a number or letter).

4. Successful completion of POST is attained when there are no errors detected in the computer.
5. The computer attempts to load the operating system. If an operating system is not found, a graphic message (icon) is displayed requesting the user to insert a diskette into drive A and press the F1 key to resume operation.
6. If a critical error is encountered, the POST is halted.

4.6.2 Diagnostics Diskette (64XX)

+--- Important -----+  
|  
| □ Use the ValuePoint Advanced Diagnostics Diskette Type 5 for all  
| 64XX models.  
|  
| □ For systems preloaded with Windows, QAPlus/WIN for ValuePoint is  
| available in the Windows environment as an additional diagnostic  
| aid.  
|  
+-----+

*The diagnostics program is intended to test only ValuePoint Models 6472, 6482, 6484, 6492, and 6494. Other products, prototype cards, or modified options can give false errors and invalid computer responses.*

Subtopics

4.6.2.1 To load the diagnostics diskette:

To load the diagnostics diskette:

4.6.2.1 To load the diagnostics diskette:

1. Power-off the computer.
2. Install the diagnostics diskette in Drive A.
3. Power-on the computer.
4. Do not press **F1** when the icon appears.
5. If any POST error(s) appear after POST, make a note of the error(s) and press the **Esc** key.
6. An IBM hardware diagnostics logo screen appears, followed by the Diagnostic Diskette Main Menu.
7. Select "Test the System."
8. If you want to test diskette drives, you will need a formatted test diskette for each diskette drive in your system. Press **Y** or **N**, then press **Enter**.

**Note:** Press **F1** for repair action and help whenever "F1=?" appears in the upper right corner of the screen.

4.6.3 Diagnostic Menus (64XX)

The following menus are available in the advanced diagnostics tests.

Subtopics

- 4.6.3.1 Diagnostic Diskette Main Menu
- 4.6.3.2 System Checkout
- 4.6.3.3 Diagnostic Test Select Menu
- 4.6.3.4 Diskette Test Select Menu
- 4.6.3.5 Hard Disk Drive Test Select Menu
- 4.6.3.6 Formatting a Hard Disk Drive
- 4.6.3.7 Formatting Procedure
- 4.6.3.8 Video Test Select Menu

4.6.3.1 Diagnostic Diskette Main Menu

This menu appears each time the diskette is loaded.

```
+-----+
|
| Diagnostic Diskette Main Menu
|
| 1 - Test the System
| 2 - Create Test Diskette
| 3 - Backup Hardware Diagnostic Diskette
| 4 - Display Error Log
| 5 - Access the Editor
| 6 - Display System Information
|
| Press Esc to exit or
| select a number and press Enter.
|
+-----+
```

1 - Test the System: Starts the computer checkout procedure. Follow the instructions on the screen run the tests.

2 - Create Test Diskette: Formats a scratch diskette for diagnostic use only.

3 - Backup Hardware Diagnostic Diskette: Copies the ValuePoint Diagnostic Diskette to another diskette.

4 - Display Error Log: Displays information in the error log.

5 - Access the Editor: Starts a text editor for DOS based text files.

6 - Display System Information: Displays memory map, device drivers, hardware configuration, and the DOS environment.

#### 4.6.3.2 System Checkout

This menu appears if the computer options are correctly set.

```
+-----+
|
| System Checkout
|
| 1 - Run tests ONE time
| 2 - Run tests MULTIPLE times
| 3 - Start Error Log
| 4 - End Error Log
|
| Press Esc to exit or
| select a number and press Enter.
|
+-----+
```

1 - Run tests ONE time: Takes you to the Diagnostic Test Selection Menu. Follow the instructions on the menu to select the test(s) to run, then press **Enter** to run the tests. Follow the instructions on the screen to proceed through the tests.

2 - Run tests MULTIPLE times: Takes you to the Diagnostic Test Selection Menu. Follow the instructions on the menu to select the test(s) to run, then press **Enter** to run the tests. Enter the number of times to run tests or press **Enter** to run continuously. Follow the instructions on the screen to proceed through the tests.

3 - Start Error Log: Starts a log of errors found during testing.

4 - End Error Log: Stops logging entries into the error log.

4.6.3.3 Diagnostic Test Select Menu

This menu allows you to select the hardware components to test.

```
+-----+
| Diagnostic Test Select Menu
|
| Instructions: - To select (*) or bypass ( ) a test,
|               type the test number and press Enter.
|               - To run selected (*) tests, press Enter.
|
| (*) 1 Processor Unit
| (*) 2 System Board
| (*) 3 Keyboard
| (*) 4 Pointing Device
| (*) 5 X MB Memory
| (*) 6 XXXX Kbytes External Cache Module
| (*) 7 Super VGA Display
| (*) 8 System Board Parallel Port
| (*) 9 2 System Board Serial Port(s)
| (*) 10 X Diskette Drive(s)
| (*) 11 X Hard Disk(s)
|
| 98 Select (*) all tests.
| 99 Bypass ( ) all tests.
|
| Selection:
+-----+
```

Follow the instructions on the menu to select or bypass any test.

**Note:** The numbers for the options on the Diagnostic Test Select Menu above can change depending on the options installed in the system you are servicing.

#### 4.6.3.4 Diskette Test Select Menu

This menu allows you to test the diskette drives and the control logic on the system board.

```
+-----+
|
| Diskette Test Select Menu
|
| 1 - Seek Test
| 2 - Write, Read, Compare Test
| 3 - Verify Diskette Test
| 4 - Speed Test
| 5 - Diskette Change Test
|
| Press Esc to exit or
| select a number and press Enter.
|
+-----+
```

- 1 - Seek Test: Tests the basic diskette seek operations, including sequential and random diskette drive head positioning.
- 2 - Write, Read, Compare Test: Tests the basic diskette operations, including a series of random seeks. Each seek is followed by a write, read, and comparison of data.
- 3 - Verify Diskette Test: Verifies data accessing and each sector.
- 4 - Speed Test: Measures the time required for one revolution of the diskette.
- 5 - Diskette Change Test: Tests the diskette change signal and write-protect feature as you remove and insert a diskette.



#### 4.6.3.5 Hard Disk Drive Test Select Menu

This menu allows you to test the hard disk drive and the integrated controller.

```
+-----+
| Hard Disk Drive 0
|
| Hard Disk Drive Test Select Menu
|
| 1 - Self-Diagnostics
| 2 - Seek Test
| 3 - Write, Read, Compare (on test cylinder)
| 4 - Error Detection and Correction
| 5 - Run Tests 1 through 4
| 6 - Read Verify
| 7 - Format Hard Disk
|
| Press Esc to exit or
| select a number and press Enter.
+-----+
```

1 - Self-Diagnostics: Runs self tests on the hard disk drive.

2 - Seek Test: Sequentially moves the hard disk heads inward one cylinder at a time until the last cylinder is reached. The heads then reset to the first cylinder and a random seek test is performed.

3 - Write, Read, Compare (on test cylinder): Data is written to the test cylinder by each hard disk head; the data is then read and checked for any errors.

4 - Error Detection and Correction: Tests the hard disk error checking and correction circuits by reading data, altering the data, and writing the data on the test cylinder. A comparison test is made to detect any errors.

5 - Run Tests 1 through 4: Runs tests 1, 2, 3, and 4; also reads track 0.

6 - Read Verify: A read operation is performed on the entire hard disk drive; any tracks that cannot be read are reported with existing defects.

7 - Format Hard Disk: Selects the Format Selection menu for the hard disk drives.

4.6.3.6 *Formatting a Hard Disk Drive*

Hard disk drives normally contain tracks in excess of their stated capacity to allow for defective tracks. The user is notified by a diagnostic message when the defect limit has been reached and service is recommended.

The Diagnostics Format program is different from the operating system format program. Before the customer can transfer information from the backup diskettes to the hard disk drive, the hard disk drive must be formatted using the operating system format program. Have the customer refer to the operating system manual for a description of the hard disk preparation commands.

**Note:** The Diagnostics Format program on this diskette might damage non-IBM hard disk drives. Refer to the documentation that came with the drive for low-level formatting information.

Warning: All data on the selected hard disk drive is destroyed during a format operation or surface analysis.

Warning: Formatting results in a complete loss of data on the hard disk drive, including system programs. If you are directed to or elect to format the hard disk drive, prior to formatting you must have the customer back up all information, if possible.

4.6.3.7 *Formatting Procedure*

Before replacing a failing hard disk drive, try to format it as follows:

1. Power-off the computer. Check that the hard disk drive cable is tightly connected.
2. Insert the diagnostics diskette into drive A.
3. Power-on the computer.
4. Press **1 (Test the System)**, then press **Enter**.
5. Depending on the options installed in the computer, questions about attached devices appears on the screen. Answer as required, then press **Enter**.
6. If the list is incorrect, run the Configuration Utility program (see "Diagnostics and Test Information (64XX)" in topic 4.6). Check to see if any adapter or device is set to a conflicting address with any other adapter or device. Also be sure that any adapter or device missing from the list is not set to "disabled."  
Press **Y (Is this list correct? (Y/N))**, then press **Enter**.
7. Press **1 (Run tests ONE time)**, then press **Enter**.
8. Press **99 (Bypass ( ) all tests)**, then press **Enter**.
9. Select **Hard Disk Drive**, then press **Enter**. The Hard Disk Drive test begins.
10. At the Hard Disk Drive Test Select Menu, press **7**, then press **Enter**.
11. Press **Y (Do you want to continue? (Y/N))**, then press **Enter**.
12. Press **Y (This is your last chance to cancel! Do you want to continue? (Y/N))**, then press **Enter**.

Formatting progress is displayed on the screen.

#### 4.6.3.8 Video Test Select Menu

This menu allows you to test the SVGA displays and control logic on the system board.

```
+-----+
|
| Video Test Select Menu
|
| 1 - SVGA/Video Memory Test
| 2 - Text Mode Tests
| 3 - Screen Paging Test
| 4 - Run Tests 1 through 3
| 5 - VGA Graphics Mode Test Menu
| 6 - SVGA Graphics Mode Test Menu
| 7 - Full Screen Raster
| 8 - Focus
|
| Press Esc to exit or
| select a number and press Enter.
|
+-----+
```

- 1 - SVGA/Video Memory Test: Verifies the video portion of the system board.
- 2 - Text Mode Tests: Shows the following character attributes: normal and high intensity, reverse video, blinking, non-display, and (for color displays) 15 EGA color attributes.
- 3 - Screen Paging Test: Preloads 8 pages of video memory with appropriate page numbers, then displays each page for verification.
- 4 - Run Tests 1 through 3: Performs tests 1 through 3 on an SVGA or ValuePoint display.
- 5 - VGA Graphics Mode Test Menu: Displays a menu to select the display VGA graphics modes.
- 6 - SVGA Graphics Mode Test Menu: Displays a menu to select the display SVGA graphics modes.
- 7 - Full Screen Raster: Cycles through a full raster of white, pure blue, green, and red. Press any key to cycle.
- 8 - Focus: Displays a screen of black/white and white/black 'M's. Press any key to toggle from one to the other.

#### 4.6.4 Error Log (64XX)

Use the following steps to create an error log, run the diagnostic tests, and automatically record any error messages in an error log. This procedure is normally used to diagnose an intermittent problem.

##### Notes:

1. The errors can be logged to a diskette drive, to a hard disk drive, or to a printer.  
**(You cannot run any diskette test when logging to a diskette drive.)**
2. OS/2 systems must be logged to a diskette drive.

##### Subtopics

- 4.6.4.1 Creating the Error Log
- 4.6.4.2 Starting the Test
- 4.6.4.3 Displaying the Error Log

4.6.4.1 *Creating the Error Log*

1. Load the diagnostics diskette from drive A.
2. Press **1 (Test the System)**, then press **Enter**.
3. Press **N** to answer the test diskette question, then press **Enter**.
4. Press **Y** or **N (Is this list correct?)**, then press **Enter**.
5. Press **3 (Start Error Log)**, then press **Enter**.
6. Press **1** to log to a diskette or hard disk, or press **2** to log to a printer, then press **Enter**.
7. If you are logging to a hard disk drive, press **C, D, E, or F (Enter the error log drive ID)**, then press **Enter**. Go to "Starting the Test" below.
8. If you are logging to a diskette, press **A or B (Enter the error log drive ID)**, then press **Enter**.
9. Verify that the diagnostic diskette is installed in the error log drive, A or B, and that it is not write-protected, then press **Enter**.

4.6.4.2 Starting the Test

1. Press **2 (Run tests MULTIPLE times)**, then press **Enter**.
2. Press **Enter** at the Diagnostic Test Select Menu to run all tests.
3. Select the number of times to run the tests, then press **Enter**.
4. Press **N (Wait each time an error occurs? (Y/N))**, then press **Enter**.
5. Follow any instructions on the screen and select any requested tests.

**Note:** Do not press any keys during the keyboard test.

6. To end a continuous test, press **Ctrl+C**. The computer completes testing, then returns to the System Checkout menu.

4.6.4.3 *Displaying the Error Log*

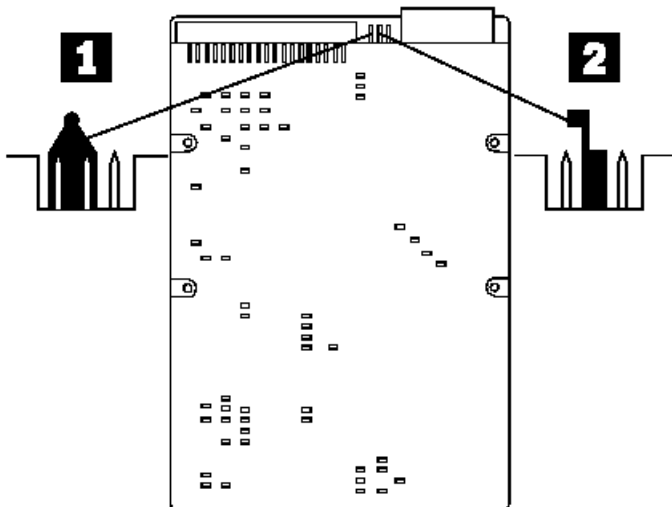
1. Depending on the options installed in the computer, questions about attached devices appear on the screen. Answer as required, then press **Enter**.
2. From the System Checkout menu, Press **Esc**.
3. Press **4 (Display Error Log)**, then press **Enter**.
4. Press **A, B, C, D, E, or F (Enter the error log drive ID)**, then press **Enter**. (If logging to a diskette drive, the ValuePoint diagnostic diskette must be in the error log drive selected.) The error log is displayed.
5. Press **F3** to leave the error log. If errors are displayed, go to "Hardware Maintenance Service (64XX)" in topic 2.0.



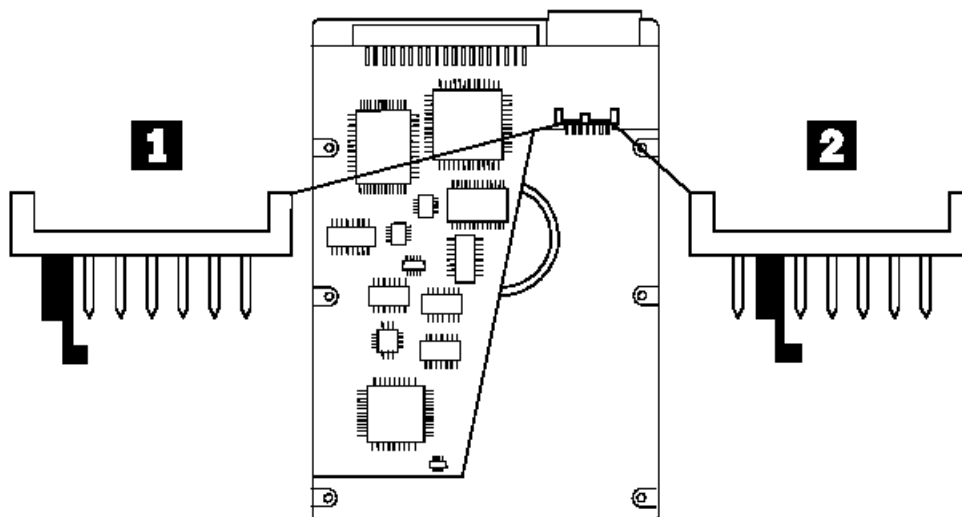
4.7 Hard Disk Drive Jumper Settings (64XX)

Hard disk drives for ValuePoint computers use jumpers or tabs to set the drives as primary or secondary. Match your hard disk drive to one of the following figures. Set the first drive as the primary (master) drive 1. If a second drive is installed, set it as the secondary (slave) drive 2.

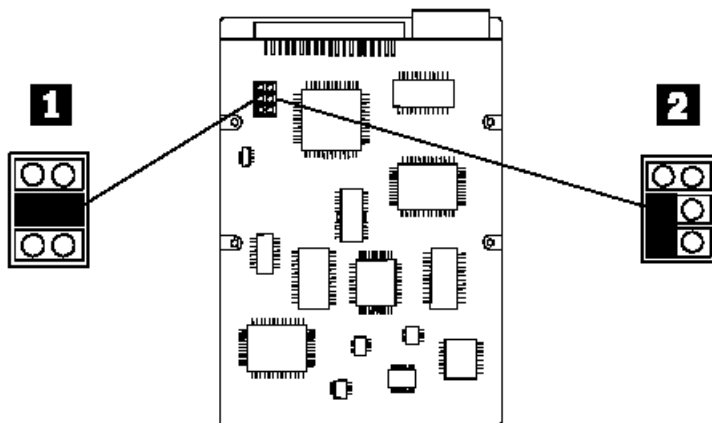
170MB and 340MB AT Drives with Tabs



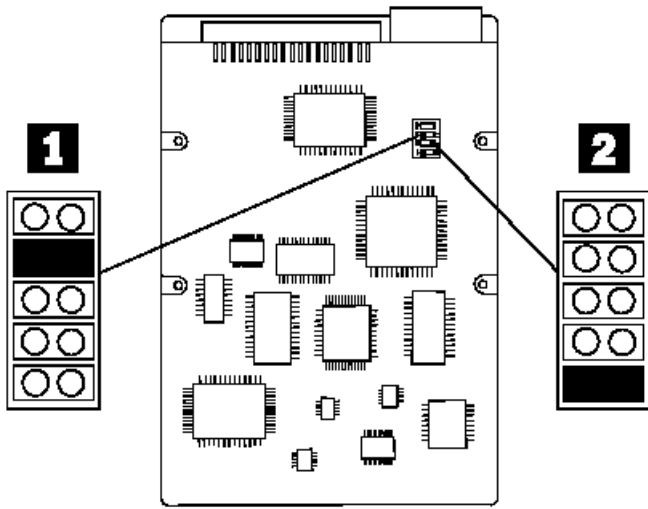
270MB, 364MB, 540MB, and 728MB AT Drives with Tabs



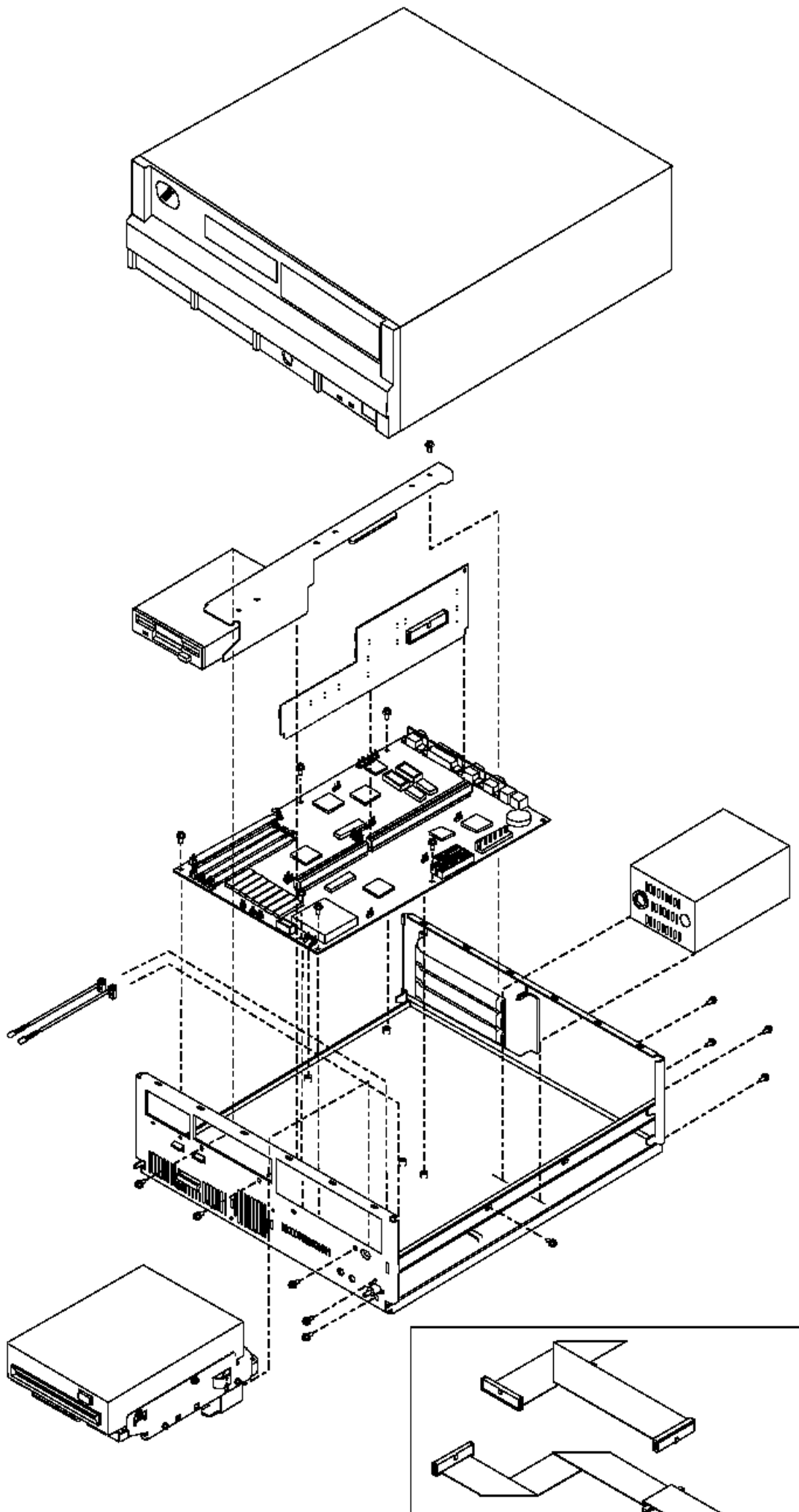
270MB and 540MB AT Drive with Jumpers



527MB AT Drive with Jumpers

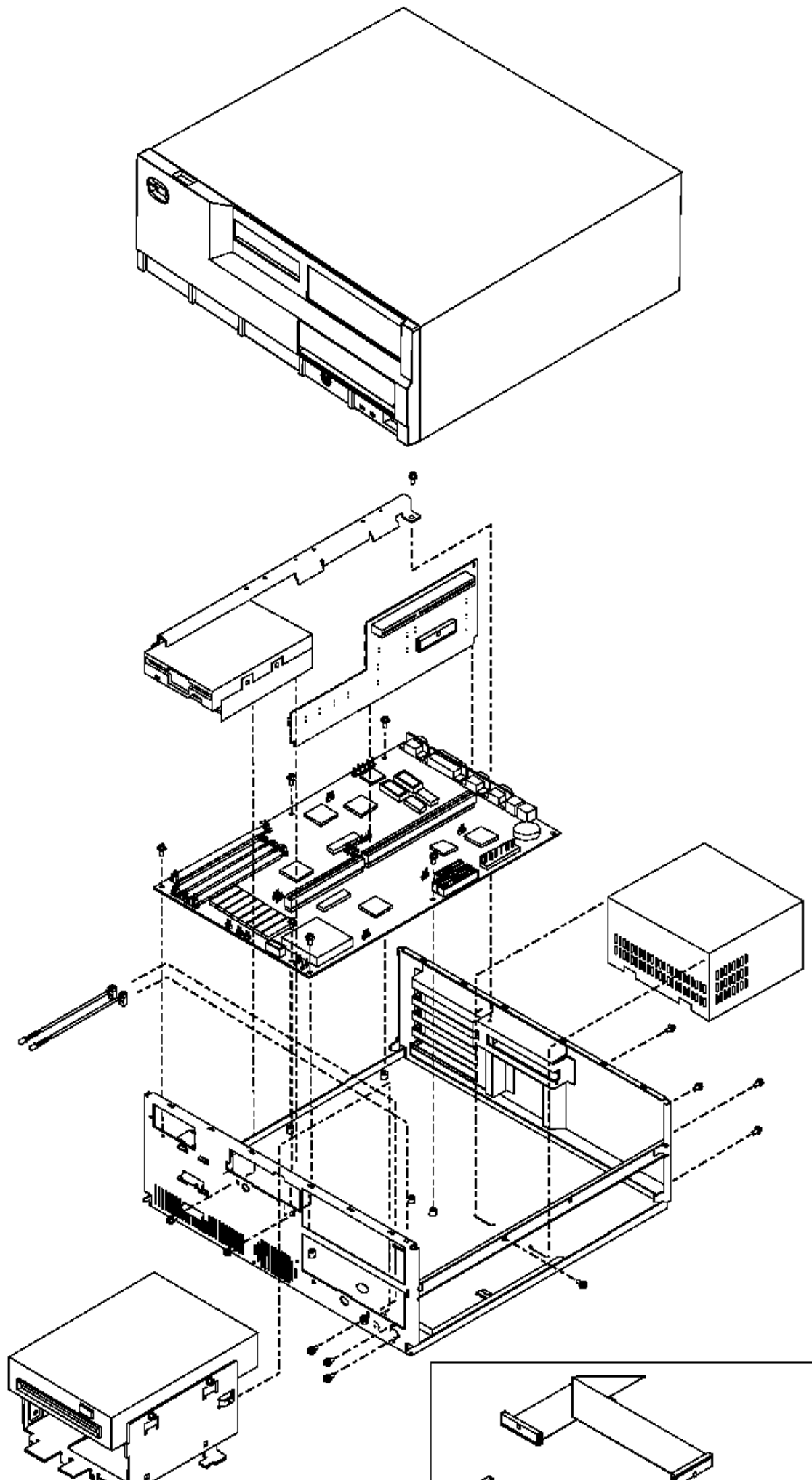


4.8 Computer Exploded View (6472)





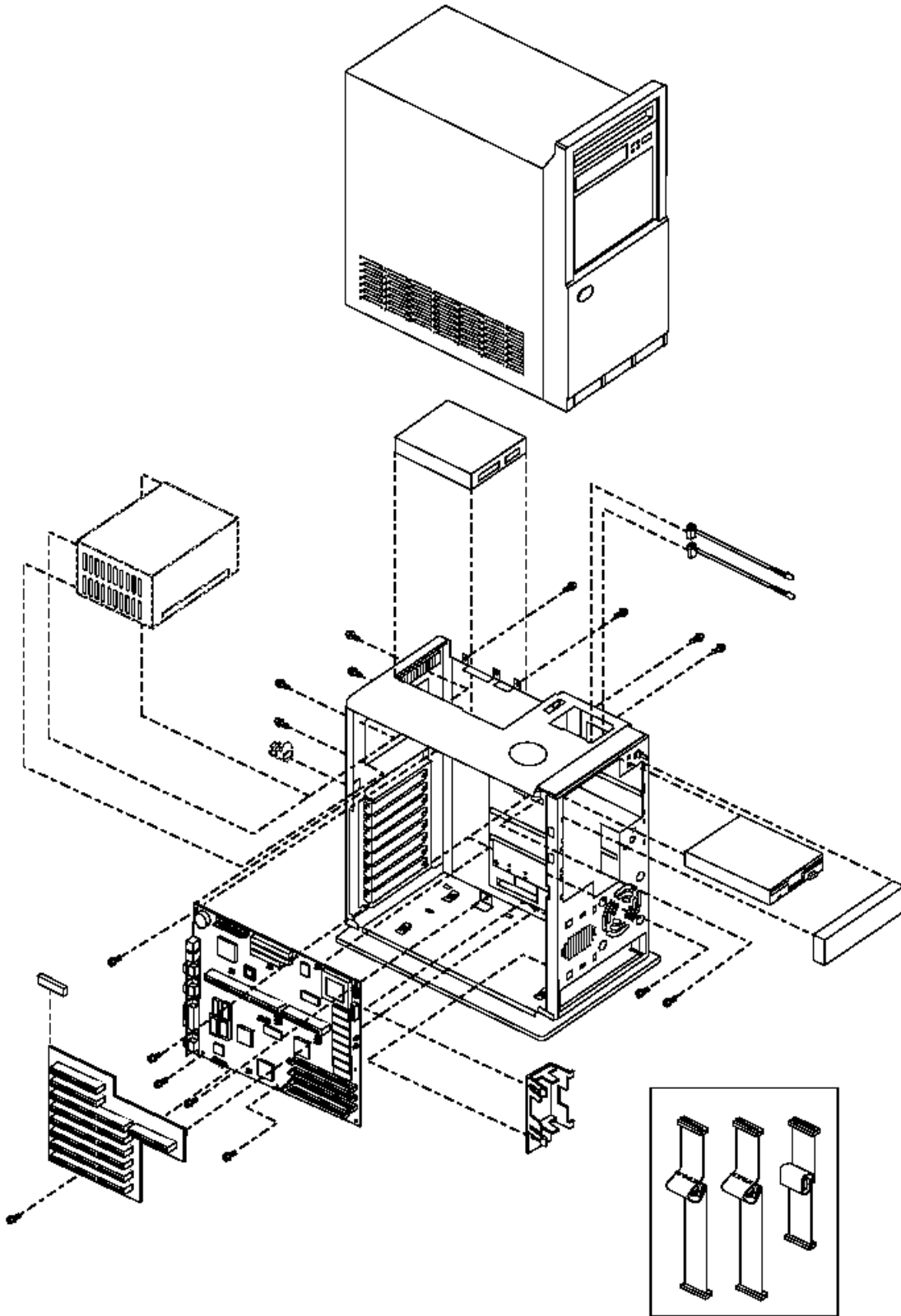
4.9 Computer Exploded View (6482, 6484)







4.10 Computer Exploded View (6492, 6494)



Subtopics

4.10.1 System Board Layouts (64XX)

4.10.1 System Board Layouts (64XX)

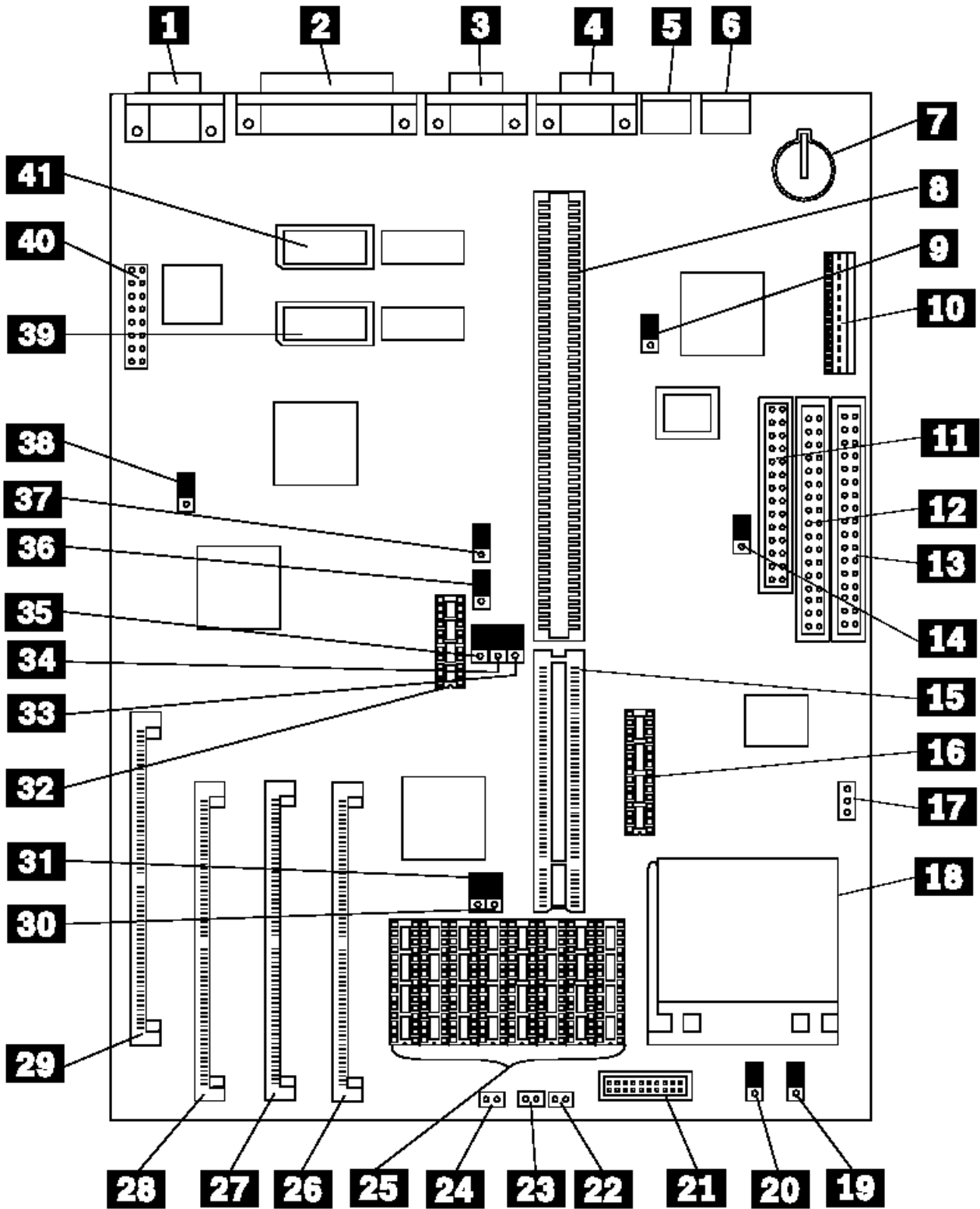


Figure 19. 64XX

Subtopics

4.10.1.1 System Board (64XX)

4.10.1.2 64XX Memory Module--72 Pin

4.10.1.1 System Board (64XX)

- 1 Video Port
- 2 Parallel Port
- 3 Serial Port (Comm B)
- 4 Serial Port (Comm A)
- 5 Mouse Port
- 6 Keyboard Port
- 7 Battery
- 8 Riser Connector
- 9 IRQ1 & IRQ2
- 10 Power Supply Connector
- 11 Diskette Drive Cable Connector
- 12 Hard Disk Drive Cable Connector
- 13 Hard Disk Drive Cable Connector
- 14 Write-Protect Jumper
- 15 Riser Connector Extension
- 16 Cache Tag RAM
- 17 Fan Power Connector
- 18 Processor Socket
- 19 SL to non-SL Processor Jumper
- 20 Overdrive / DX Jumper
- 21 DX4 Voltage Regulator Connector
- 22 Power-on LED
- 23 Hard Disk LED
- 24 Speaker
- 25 128/256KB External Cache Connectors
- 26 Memory Module Connector, Bank 1
- 27 Memory Module Connector, Bank 2
- 28 Memory Module Connector, Bank 3
- 29 Memory Module Connector, Bank 4
- 30 128K Cache Jumper (to rear)
- 31 128K Cache Jumper (to rear)
- 32 Cache Tag RAM
- 33 VESA / PCI Jumper (VESA to rear)
- 34 VESA / PCI Jumper (VESA to rear)
- 35 VESA / PCI Jumper (VESA to rear)
- 36 Frequency Synthesizer
- 37 Frequency Synthesizer
- 38 Video Enable/Disable
- 39 Extended Video Memory Connector
- 40 Video Feature Connector
- 41 Extended Video Memory Connector

4.10.1.2 64XX Memory Module--72 Pin

Pin	Signal Name	I/O
1	Ground	
2	SIMMD0	I/O
3	SIMMD16	I/O
4	SIMMD1	I/O
5	SIMMD17	I/O
6	SIMMD2	I/O
7	SIMMD18	I/O
8	SIMMD3	I/O
9	SIMMD19	I/O
10	+5 v dc	I
11	CASP	I
12	MA0	I
13	MA1	I
14	MA2	I
15	MA3	I
16	MA4	I
17	MA5	I
18	MA6	I
19	MA10	I
20	SIMMD4	I/O
21	SIMMD20	I/O
22	SIMMD5	I/O
23	SIMMD21	I/O
24	SIMMD6	I/O
25	SIMMD22	I/O
26	SIMMD7	I/O
27	SIMMD23	I/O
28	MA7	I
29	BS0	I
30	+5 v dc	I
31	MA8	I
32	MA9	I
33	RAS3	I
34	RAS2	I
35	MP2	I
36	MP0	I

64XX Memory Module--72 Pin

Pin	Signal Name	I/O
-----	-------------	-----

37	MP1	I
38	MP3	I
39	Ground	I
40	BCAS0	I
41	BCAS2	I
42	BCAS3	I
43	BCAS1	I
44	RAS0	I
45	RAS1	I
46	BS1	I
47	AWE	I
48	Open	
49	SIMMD8	I/O
50	SIMMD24	I/O
51	SIMMD9	I/O
52	SIMMD25	I/O
53	SIMMD10	I/O
54	SIMMD26	I/O
55	SIMMD11	I/O
56	SIMMD27	I/O
57	SIMMD12	I/O
58	SIMMD28	I/O
59	+5 V dc	I
60	SIMMD29	I/O
61	SIMMD13	I/O
62	SIMMD30	I/O
63	SIMMD14	I/O
64	SIMMD31	I/O
65	SIMMD15	I/O
66	BS2	I
67	PD1	O
68	PD2	O
69	PD3	O
70	PD4	I
71	BS3	I
72	Ground	

Figure 20. 64XX Memory Module--72 Pin

4.11 PS/VP Computer Features (64XX)

**Notes:**

1. In the following table, DD refers to Diagnostic Diskette type, S/B refers to Slots and Bays.
2. Multi-media models are designated with "MM" in the far-right column.
3. OS/2 (\*) models are designated with "OS/2" in the far-right column. All other models (with a hard disk drive) have DOS and Windows installed.
4. Models 6484 and 6494 have a PCI bus riser card.

Type	Processor	DD	S/B	Memory	Hrd Dsk
6472-C0D	486SX-33	5	3/3	4M/128M	None
6472-C2B	486SX-33	5	3/3	4M/128M	170M
6472-C3B	486SX-33	5	3/3	4M/128M	270M
6472-H0D	486DX-33	5	3/3	4M/128M	None
6472-H2B	486DX-33	5	3/3	4M/128M	170M
6472-H3B	486DX-33	5	3/3	4M/128M	270M
6472-H4F	486DX-33	5	3/3	8M/128M	364M
6472-L0D	486DX2-33/66	5	3/3	4M/128M	None
6472-L4F	486DX2-33/66	5	3/3	8M/128M	364M
6472-L4G	486DX2-33/66	5	3/3	8M/128M	364M OS/2
6482-C0D	486SX-33	5	5/5	4M/128M	None
6482-C2B	486SX-33	5	5/5	4M/128M	170M
6482-C3B	486SX-33	5	5/5	4M/128M	270M
6482-CNB	486SX-33	5	5/5	4M/128M	270M MM
6482-H0D	486DX-33	5	5/5	4M/128M	None
6482-H3B	486DX-33	5	5/5	4M/128M	270M
6482-H3G	486DX-33	5	5/5	8M/128M	270M OS/2
6482-H4F	486DX-33	5	5/5	8M/128M	364M
6482-K3B	486DX2-25/50	5	5/5	4M/128M	270M
6482-L0D	486DX2-33/66	5	5/5	4M/128M	None
6482-L4F	486DX2-33/66	5	5/5	8M/128M	364M
6482-LNF	486DX2-33/66	5	5/5	8M/128M	364M MM
6482-L5F	486DX2-33/66	5	5/5	8M/128M	527M
6482-X0D	486DX4-50/100	5	5/5	4M/128M	None
6482-X4F	486DX4-50/100	5	5/5	8M/128M	364M
6482-X4G	486DX4-50/100	5	5/5	8M/128M	364M OS/2
6484-H3B	486DX-33	5	4/5	4M/128M	270M
6484-H4G	486DX-33	5	4/5	8M/128M	364M OS/2
6484-L4F	486DX2-33/66	5	4/5	8M/128M	364M
6484-L4G	486DX2-33/66	5	4/5	8M/128M	364M OS/2
6484-X5F	486DX4-50/100	5	4/5	8M/128M	527M
6484-X5G	486DX4-50/100	5	4/5	8M/128M	527M OS/2
6492-H3F	486DX-33	5	8/6	8M/128M	270M
6492-L4F	486DX2-33/66	5	8/6	8M/128M	364M
6492-L4G	486DX2-33/66	5	8/6	8M/128M	364M OS/2
6492 L5F	486DX2-33/66	5	8/6	8M/128M	527M
6492 X4F	486DX4-50/100	5	8/6	8M/128M	364M
6492 X5F	486DX4-50/100	5	8/6	8M/128M	527M
6494-L5F	486DX2-33/66	5	7/6	8M/128M	527M
6494-X5G	486DX4-50/100	5	7/6	8M/128M	527M OS/2

(\*) Trademark of the IBM Corporation.

5.0 *Safety and Related Information*

Subtopics

- 5.1 Safety Information
- 5.2 Acronyms, Abbreviations and Terms
- 5.3 We Want Your Comments!
- 5.4 Do You Need Technical References?
- 5.5 Problem Determination Tips
- 5.6 Phone Numbers, U.S. and Canada

5.1 *Safety Information*

The following section contains the safety information required to service a PS/ValuePoint computer. Familiarize yourself with this information before servicing a PS/ValuePoint computer.

Subtopics

5.1.1 General Safety

5.1.2 Safety Inspection Guide

5.1.3 Changing the Battery

5.1.4 Handling Electrostatic Discharge (ESD) Sensitive Devices

5.1.5 Electrical Safety



### 5.1.1 General Safety

Use these rules to ensure general safety:

- Observe good housekeeping in the area of the machines during maintenance and after completing it.
- When lifting any heavy object:
  1. Ensure you can stand safely without slipping.
  2. Distribute the weight of the object equally between your feet.
  3. Use a slow lifting force. Never move suddenly or twist when you attempt to lift.
  4. Lift by standing or by pushing up with your leg muscles; this action removes the strain from the muscles in your back. *Do not attempt to lift any objects that weigh more than 16 kg (35 lb) or objects that you think are too heavy for you.*
- Do not perform any action that causes hazards to the customer or that makes the equipment unsafe.
- Before you start the machine, ensure that other service representatives and the customer's personnel are not in a hazardous position.
- Put removed covers and other parts in a safe place, away from all personnel, while you are servicing the machine.
- Keep your tool case away from walk areas so that other people will not trip over it; for example, put it under a desk or table.
- Do not wear loose clothing that can be trapped in the moving parts of a machine. Ensure that your sleeves are fastened or rolled up above your elbows. If your hair is long, fasten it.
- Insert the ends of your necktie or scarf inside other clothing or fasten the necktie with a clip, preferably nonconductive, approximately 8 cm (3 in.) from the end.
- Do not wear jewelry, chains, metal-frame eyeglasses, or metal fasteners for your clothing.

**Remember:** Metal objects are excellent conductors.

- Wear safety glasses when you are:
  - Using a hammer to drive pins or similar parts
  - Drilling with a power hand-drill
  - Using spring hooks or attaching springs
  - Soldering parts
  - Cutting wire or removing steel bands
  - Cleaning parts with solvents, chemicals, or cleaning fluids
  - Working in any other conditions that might be hazardous to your eyes.
- After maintenance, reinstall all safety devices such as shields, guards, labels, and ground wires. Exchange any safety device that is worn or defective for a new one.

**Remember:** Safety devices protect personnel from hazards. You destroy the purpose of the devices if you do not reinstall them before completing your service call.

- Reinstall all covers correctly before returning the machine to the customer.

### 5.1.2 Safety Inspection Guide

The intent of this inspection guide is to assist you in identifying potentially unsafe conditions on these products. Each machine, as it was designed and built, had required safety items installed to protect users and service personnel from injury. This guide addresses only those items. However, good judgment should be used to identify potential safety hazards due to attachment of non-IBM features or options not covered by this inspection guide.

If any unsafe conditions are present, you must determine how serious the apparent hazard could be and whether you can continue without first correcting the problem.

Consider these conditions and the safety hazards they present:

- Electrical hazards, especially primary power: primary voltage on the frame can cause serious or fatal electrical shock.
- Explosive hazards, such as a damaged CRT face or bulging capacitor, can cause serious injury.
- Mechanical hazards, such as loose or missing hardware, can cause serious injury.

The guide consists of a series of steps presented in a checklist. Begin the checks with the power-off and the power cord removed from the power receptacle.

Checklist:

1. Check exterior covers for damage (loose, broken, or sharp edges).
2. Power-off the computer. Disconnect the power cord from the electrical outlet.
3. Check the power cord for:
  - a. A third-wire ground connector in good condition. Use a meter to measure third-wire ground continuity for 0.1 ohm or less between the external ground pin and frame ground.
  - b. Insulation must not be frayed or worn.
4. Remove the cover.
5. Check for any obvious non-IBM alterations. Use good judgment as to the safety of any non-IBM alterations.
6. Check inside the unit for any obvious unsafe conditions, such as metal filings, contamination, water or other liquids, or signs of fire or smoke damage.
7. Check for worn, frayed, or pinched cables.
8. Check that the power-supply cover fasteners (screws or rivets) have not been removed or tampered with.

5.1.3 *Changing the Battery*

Follow any special handling and installation instructions supplied with the replacement battery.

**CAUTION:**

A danger of explosion exists if battery is incorrectly replaced.

Replace with only the same or equivalent type recommended by the manufacturer. Dispose of used batteries according to the manufacturer's instructions.

5.1.4 Handling Electrostatic Discharge (ESD) Sensitive Devices

Any computer part containing transistors or integrated circuits (ICs) should be considered sensitive to electrostatic discharge (ESD). ESD damage can occur when there is a difference in charge between objects. Protect against ESD damage by equalizing the charge so that the machine, the part, the work mat, and the person handling the part are all at the same charge.

**Notes:**

1. Use product-specific ESD procedures when they exceed the requirements noted here.
2. Make sure that the ESD protective devices you use have been certified (ISO 9000) as fully effective.

When handling ESD-sensitive parts:

- Keep the parts in protective packages until they are inserted into the product.
- Avoid contact with other people.
- Wear a grounded wrist strap against your skin to eliminate static on your body.
- Prevent the part from touching your clothing. Most clothing is insulative and retains a charge even when you are wearing a wrist strap.
- Use the black side of a grounded work mat to provide a static-free work surface. The mat is especially useful when handling ESD-sensitive devices.
- Select a grounding system, such as those listed below, to provide protection that meets the specific service requirement.

**Note:** The use of a grounding system is desirable but not required to protect against ESD damage.

- Attach the ESD ground clip to any frame ground, ground braid, or green-wire ground.
- Use an ESD common ground or reference point when working on a double-insulated or battery-operated computer. You can use coax or connector-outside shells on these computers.
- Use the round ground-prong of the AC plug on AC-operated computer.

### 5.1.5 Electrical Safety

Observe the following rules when working on electrical equipment:

- Find the room emergency power-off (EPO) switch or disconnecting switch. If an electrical accident occurs, you can then operate the switch quickly.
- Do not work alone under hazardous conditions or near equipment that has hazardous voltages.
- Disconnect all power:
  - Before doing a mechanical inspection
  - Before working near power supplies
  - Before removing or installing main units
- Before you start to work on the machine, unplug its power cable. If you cannot unplug the cable, ask the customer to switch off the wall box that supplies power to the machine and to lock the wall box in the off position.
- If you need to work on a machine that has *exposed* electrical circuits, observe the following precautions:
  - Ensure that another person, familiar with the power-off controls, is near you.

**Remember:** Another person must be there to switch off the power, if necessary.

**CAUTION:**

Some hand tools have handles covered with a soft material that does not insulate you when working with live electrical currents. Use only approved tools and testers.

- Use only one hand when working with powered on electrical equipment; keep the other hand in your pocket or behind your back.

**Remember:** There must be a complete circuit to cause electrical shock. By observing the above rule, you might prevent a current from passing through your body.

- When using testers, set the controls correctly and use the approved probe leads and accessories for that tester.

**CAUTION:**

Many customers have, near their equipment, rubber floor mats that contain small conductive fibers to decrease electrostatic discharges. Do not use this type of mat to protect yourself from electrical shock.

- Stand on suitable rubber mats (obtained locally, if necessary) to insulate you from grounds such as metal floor strips and machine frames.

Observe the special safety precautions when you work with very high voltages; these instructions are in the safety sections of maintenance information. Use extreme care when measuring high voltages.

- Regularly inspect and maintain your electrical hand tools for safe operational condition.
- Do not use worn or broken tools and testers.
- Never assume* that power has been disconnected from a circuit. First, *check* that it has been switched off.
- Always look carefully for possible hazards in your work area. Examples of these hazards are moist floors, nongrounded power extension cables, power surges, and missing safety grounds.
- Do not touch live electrical circuits with the reflective surface of a plastic dental mirror. The surface is conductive; such touching can cause personal injury and machine damage.
- Do not service the following parts *with the power on* when they are removed from their normal operating places in a machine:
  - Power supply units
  - Pumps
  - Blowers and fans
  - Motor generators

and similar units. (This practice ensures correct grounding of the units.)

- If an electrical accident occurs:
  - **Use caution; do not become a victim yourself.**
  - **Switch off power.**
  - **Send another person to get medical aid.**

5.2 Acronyms, Abbreviations and Terms

Term	Information
ACPA/A	Audio Capture and Playback Adapter
ADP	Automatic Data Processing
Alt	Alternate
ANSI	American National Standards Institute
ARTIC	A Real Time Interface Coprocessor
ASCII	American National Standard Code for Interface Interchange
AT	Advanced Technology (as in AT Bus)
AVC	Audio Video Connection
BIOS	Basic Input/Output System (Controls System Resources)
bps	Bits Per Second
BPS	Bytes Per Second
CCITT	The International Telephone and Telegraph Consultative Committee
CCS	Common Command Set
CCSB	Common Complete Status Block
CD	Compact Disc
CD-ROM	CD Read Only Memory (stores data/audio)
CE	Customer Engineer or Service Representative
CRC	Cyclic Redundancy Check
CRT	Cathode Ray Tube
CSD	Corrective Service Diskette
CGA	Color Graphics Adapter (See EGA, VGA, XGA)
CCSB	Configuration Control Sub Board)
CRC	Cyclic Redundancy Check
CRT	Cathode Ray Tube
CSA	Canadian Standards Association
CSD	Corrective Service Diskette
DASD	Direct Access Storage Device (hard disk, diskette)
DMA	Direct Memory Access
DRAM	Dynamic Random Access Memory
ECA	Engineering Change Announcement
ECC	Error Correction Code
EGA	Enhanced Graphics Adapter
ESD	Electrostatic Discharge
ESDI	Enhanced Small Device Interface
EEPROM	Electrically Erasable Programmable Read Only Memory
EWS	Energy Work Station
FRU	Field Replaceable Unit (replaceable part)

Type 63XX, 64XX IBM PS/ValuePoint HMM - 07/96  
Acronyms, Abbreviations and Terms

<b>GPIB</b>	General Purpose Interface Bus (IEEE 348)
<b>GSA</b>	General Services Administration
<b>HMM</b>	Hardware Maintenance Manual
<b>HMR</b>	Hardware Maintenance Reference
<b>HMS</b>	Hardware Maintenance Service
<b>Ht</b>	Height
<b>IDE</b>	Integrated Drive Electronics
<b>IC</b>	Integrated Circuit
<b>IEEE</b>	Institute of Electrical and Electronics Engineers
<b>IEC</b>	International Electrotechnical Commission
<b>IML</b>	Initial Machine Load
<b>IPL</b>	Initial Program Load
<b>ISO</b>	International Organization for Standardization
<b>ISDN</b>	Integrated-Services Digital Network
<b>LAN</b>	Local Area Network
<b>LBA</b>	Local Block Address
<b>LTB</b>	Local Transfer Bus
<b>LUN</b>	Logical Unit Number (as in SCSI)
<b>MAP</b>	Maintenance Analysis Procedure
<b>MCGA</b>	Modified Color Graphics Adapter (320 x 200 x 256)
<b>MCA</b>	Micro Channel Architecture (bus structure)
<b>MHz</b>	Mega hertz (millions of cycles per second)
<b>MIDI</b>	Musical Instrument Digital Interface
<b>MM</b>	Multimedia
<b>N/A</b>	Not Available or Not Applicable
<b>NDD</b>	National Distribution Division
<b>NMI</b>	Non-Maskable Interrupt
<b>NSC</b>	National Support Center
<b>NVRAM</b>	Non Volatile Random Access Memory
<b>OEM</b>	Original Equipment Manufacturer
<b>PCMCIA</b>	Personal Computer Memory Card International Association
<b>POS</b>	Programmable Option Select
<b>PUN</b>	Physical Unit Number (as in SCSI)
<b>RAID</b>	Redundant Array of Inexpensive Disks (disk array models)
<b>RAM</b>	Random Access Memory (read/write)
<b>RGB</b>	Red Green Blue (is in monitors)
<b>ROM</b>	Read Only Memory
<b>SASD</b>	Sequential Access Storage Device (Tape)
<b>SCB</b>	Subsystem Control Block
<b>SRAM</b>	Static Random Access Memory

**Type 63XX, 64XX IBM PS/ValuePoint HMM - 07/96**  
 Acronyms, Abbreviations and Terms

<b>SCSI</b>	Small Computer Systems Interface
<b>SCSI ID</b>	SCSI Identification Number (assigned device number)
<b>SPD</b>	Software Product Description
<b>SR</b>	Service Representative
<b>T/A</b>	NDD Technical Advisor (See your Marketing Representative)
<b>TDD</b>	Telecommunications Device for the Deaf
<b>TPF</b>	ThinkPad File
<b>UL</b>	Underwriters Laboratory
<b>VCA</b>	Video Capture Adapter
<b>VESA</b>	Video Electronics Standards Association
<b>VGA</b>	Video Graphics Array (640x480x16)
<b>VPD</b>	Vital Product Data
<b>VRAM</b>	Video Random Access Memory
<b>WORM</b>	Write Once, Read Many Media
<b>XGA</b>	Extended Graphics Array (1024 x 768 x 256)
<b>Y/C</b>	Luminance/Chrominance Signal (Pertains to Video)



5.3 We Want Your Comments!

We want to know your opinion about this manual (part number 71G5388). Your input will help us to improve our publications.

Please photocopy this survey, complete it, and then fax it to **IBM HMM Survey at 407-982-9825 (USA)**.

Name

Phone Number

1. Do you like this manual?

\_\_\_\_\_ Yes    \_\_\_\_\_ No

-----  
-----

2. What would you like to see added, changed, or deleted in this manual?

-----  
-----

3. What is your service experience level?

\_\_\_\_\_ Novice    \_\_\_\_\_ Average    \_\_\_\_\_ Advanced

-----  
-----

4. Which PS/ValuePoint systems do you service most?

-----  
-----

**Thanks in advance for your response!**

5.4 Do You Need Technical References?

We have a wide range of hardware technical references that provide in-depth information about IBM personal computer products. Our Technical Reference Library includes information about:

- Micro Channel, Setup, and Subsystem Control Block architectures
- Common interfaces (including microprocessors, system timers, parallel and serial port controllers, keyboards and keystrokes, SCSI, DMA, video, and more)
- Specific Personal System/2 systems (including system board connectors, jumpers, memory subsystems, I/O subsystems, programming interfaces and registers, and error codes)
- Basic input/output system (BIOS)
- Options and adapters

For a free catalog of our current offerings, please photocopy this form, complete it, and then fax it to **Hardware Technical References at 407-982-9825 (USA)**.

I'd like a catalog of the IBM PC Company Hardware Technical Reference library.

Name

Address

City

State \_\_\_\_\_ Zip

### 5.5 Problem Determination Tips

Due to the variety of hardware and software combinations that can be encountered, use the following information to assist you in problem determination. If possible, have this information available when requesting assistance from Service Support and Engineering functions.

- Machine type and model
- Failure symptom
  - What, when, where, single, or multiple systems?
  - Is the failure repeatable?
  - Has this configuration ever worked?
  - If it has been working, what changes were made prior to it failing?
- Reference Diskette Version
  - Type and revision level
- Hardware configuration
  - Print out (print screen) configuration from system partition or Reference Diskette currently being used.
- Operating system software
  - Type and revision level
  - OS/2 SYSLEVEL Command
- Software setup (appropriate to the software)
- CONFIG.SYS
- STARTUP.CMD
- AUTOEXEC.BAT

```
+--- Important -----+
|
| To eliminate confusion, identical systems are considered identical
| only if they:
|
| 1. Are the exact machine type and models
|
| 2. Have the same adapters/attachments in the same locations
|
| 3. Have the same address jumpers/terminators/cabling
|
| 4. Have the same software versions and levels
|
| 5. Have the same Partition/Reference Diskette (version)
|
| 6. Have the same configuration options set in the system
|
| 7. Have the same setup for the operation system control files
|    (Config.Sys, Autoexec.bat, Startup.Cmd., etc.)
|
| Comparing the configuration and software set-up (Config.sys, etc.)
| between "working and non-working" systems will often lead to problem
| resolution.
+-----+
```

5.6 Phone Numbers, U.S. and Canada

**Authorized Dealers or Servicers**

Number	Information
919-517-0001	Bulletin Board Service - PC Company
800-528-7705	Bulletin Board Service - TSS Only
800-937-3737	IBM Business Partner Education
800-426-2472	IBM Customer Engineer Technical Support
800-IBM-DEAL	IBM Dealer Support Center
800-342-6672	IBM Direct Desktop Software Sales
303-924-4015	IBM Part Number ID and Look Up
800-426-7763	IBM PC HelpCenter
800-237-5511	IBM Software Defect Support (CSDs)
800-327-5711	IBM Software Ordering (Publications)
800-426-1484	IBM Supplies Technical Hotline
800-388-7080	IBM Warranty Parts Claims Center

**U.S. Customers and HelpWare Subscribers**

Number	Information
919-517-0001	Bulletin Board Service - PC Company
800-426-8322	Customer Education Business Unit
800-999-0052	Customized Operational Services
800-237-4824	EduQuest (Educational Computers)
800-964-8523	End User HelpDesk Support
800-742-2493	IBM Anti-Virus Services
800-447-4700	IBM Authorized Dealer Referrals
800-426-2468	IBM Dealer Referral
800-426-3333	IBM Information Referral Service
800-IBM-SERV	IBM Service
800-772-2227	IBM PC HelpCenter and HelpDesk
800-426-7282	IBM Technical Manuals
800-426-9402 (Ext. 150)	Multimedia Information Center
800-241-1620	Multimedia HelpCenter
800-342-6672	OS/2 Information Line
800-237-5511	OS/2 Support Services
800-284-5933	Prodigy
914-962-0310	Prodigy User Questions
800-547-1283	Technical Coordinator Program SystemXtra for Personal Systems LAN Automated Distribution/2 OS/2 Bulletin Board OS/2 Application Assistance Center
800-551-2832	Technical Solutions Magazine

**IBM Canada Customer and Servicer Support**

Number	Information
800-661-PSMT	Business Partner Marketing Support
905-316-5556	Business Partner Marketing Support - Toronto
514-938-6048	Business Partner Marketing Support - French
800-465-6600	Customer Relations
905-316-6666	Customer Relations - Toronto
800-465-6666	Customer Service Dispatch
800-263-2769	Customer Service Parts
800-465-2222	Customer Support Center (ISC)
416-443-5701	Customer Service Repair Centre
800-465-7999	HelpClub Registration
800-465-7999	IBM Direct
905-513-3367	IBM Certification Administrator
905-316-2683	IBM Certification Coordinator Mail to: 50 Acadia Drive Markham, Ontario L3R 0B3
800-465-3299	IBM HelpFax
905-316-3299	IBM HelpFax - Toronto
800-565-3344	IBM HelpPC
800-268-3100	IBM Information Network Support
800-268-3100	IBM Information Network Support - Toronto
800-387-8343	IBM PC Service Partners
800-663-7662	Lexmark Product Information
800-263-2769	Parts Orders, Exchange or Emergency
416-443-5808 (Fax)	Parts Regular Orders, Exchange
416-443-5755	Parts Orders, Inquiries
514-938-3022	PC Co Bulletin Board - Montreal
905-316-4255	PC Co Bulletin Board - Toronto
604-664-6464	PC Co Bulletin Board - Vancouver
204-934-2735	PC Co Bulletin Board - Winnipeg
800-661-7768	PS Marketing Support (PSMT)
800-465-1234	Publications Ordering
905-316-4148	Service Management Support
905-316-4100 (Fax)	Service Management Support
905-316-4150	Service Manager
905-316-4100 (Fax)	Service Manager
905-316-4872	Service Quality Programs
905-316-4100	Service Quality Programs

(Fax)	
800-661-2131	Skill Dynamics (Education)
800-565-3344	PS/1 Warranty Customer Helpline
800-387-8483	PS/1 Warranty Service (DOAs)
416-443-5835	Warranty Claim Fulfillment
(Fax)	
905-316-2445	Warranty Claim Reimbursement
905-316-3515	Warranty Claim Reimbursement
(Fax)	
416-443-5778	Warranty Claim Parts Inquiry
800-505-1855	Warranty Provider Support Hotline
800-267-7472	Warranty Service, ThinkPad

Before you place a call to the Support Center, refer to "Problem Determination Tips" in topic 5.5.

**We Want Your Comments!**

Every effort has been made to provide complete and accurate technical information in this manual. However, if you find missing or inaccurate information, please fax any comments, corrections, or suggestions to 919-543-8167 (U.S.A.). Thank you.

#### 6.0 Notices

References in this publication to IBM products, programs, or services do not imply that IBM intends to make these available in all countries in which IBM operates. Any reference to an IBM product, program or service is not intended to state or imply that only IBM's product, program, or service may be used. Any functionally equivalent product, program, or service that does not infringe any of IBM's intellectual property rights or other legally protectable rights may be used instead of the IBM product, program, or service. Evaluation and verification of operation in conjunction with other products, programs, or services, except those expressly designated by IBM, are the user's responsibility.

IBM may have patents or pending patent applications covering subject matter in this document. The furnishing of this document does not give you any license to these patents. You can send license inquiries, in writing, to the IBM Director of Commercial Relations, IBM Corporation, Purchase, NY 10577.

#### Subtopics

##### 6.1 Trademarks and Service Marks

6.1 Trademarks and Service Marks

The following terms, denoted by an asterisk (\*) in this publication, are trademarks of the IBM Corporation in the United States or other countries:

386SLC	AIX
AT	FaxConcentrator
HelpCenter	HelpClub
HelpLearn	HelpWare
IBM	Micro Channel
OS/2	Personal System/2
PhoneCommunicator	PS/2
Screen Reader	SLC
Skill Dynamics	SpeechViewer
SystemXtra	ThinkPad
TrackPoint	ValuePoint
XGA	

The following terms, denoted by a double asterisk (\*\*) in this publication, are trademarks of other companies:

ATI	ATI Technologies, Inc.
Direct Access	Fifth Generation Systems, Inc.
Frame	Frame Technology, Inc.
Intel	Intel Corporation
PCMCIA	Personal Computer Memory Card International Association
Triplet	Triplet Corporation