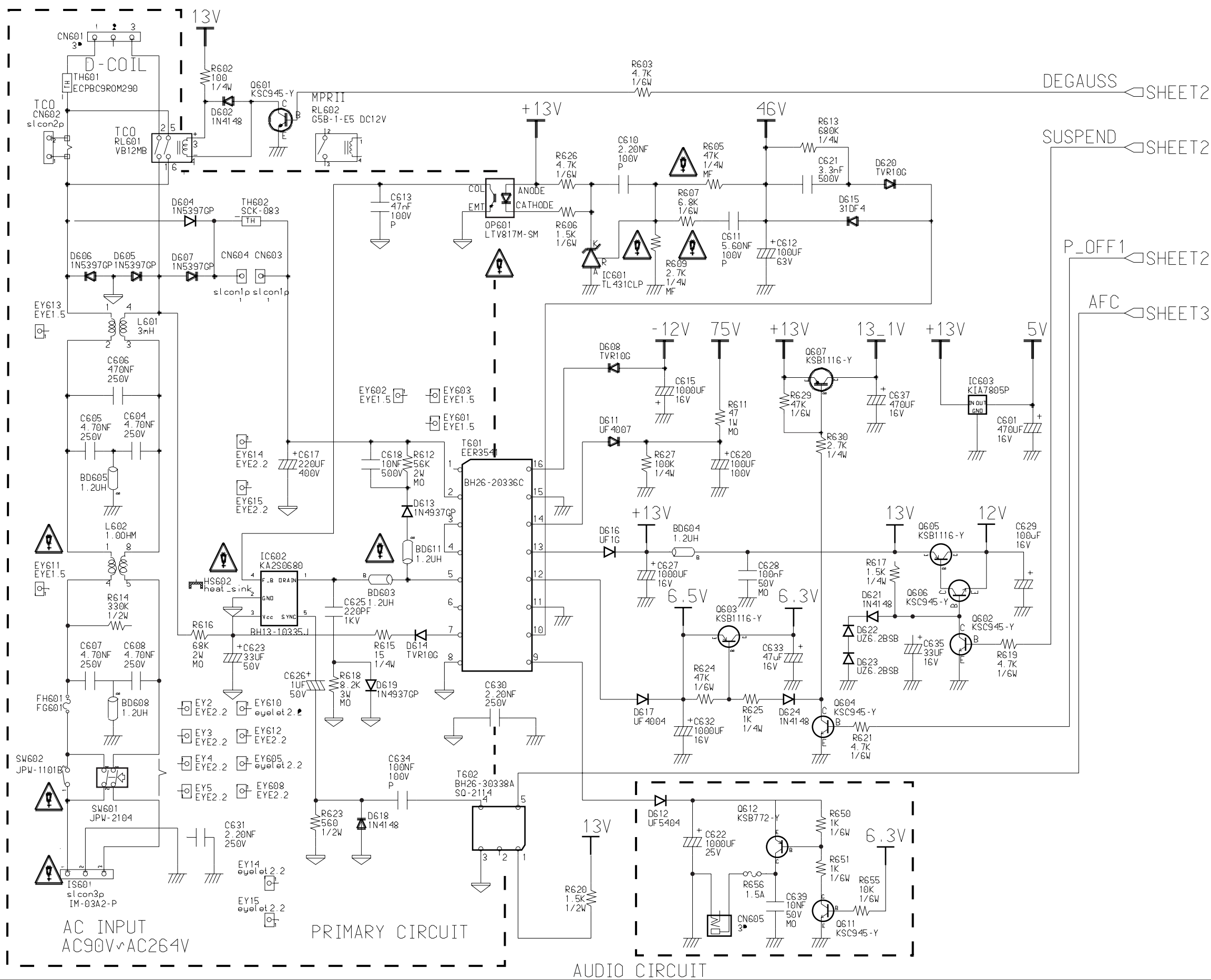
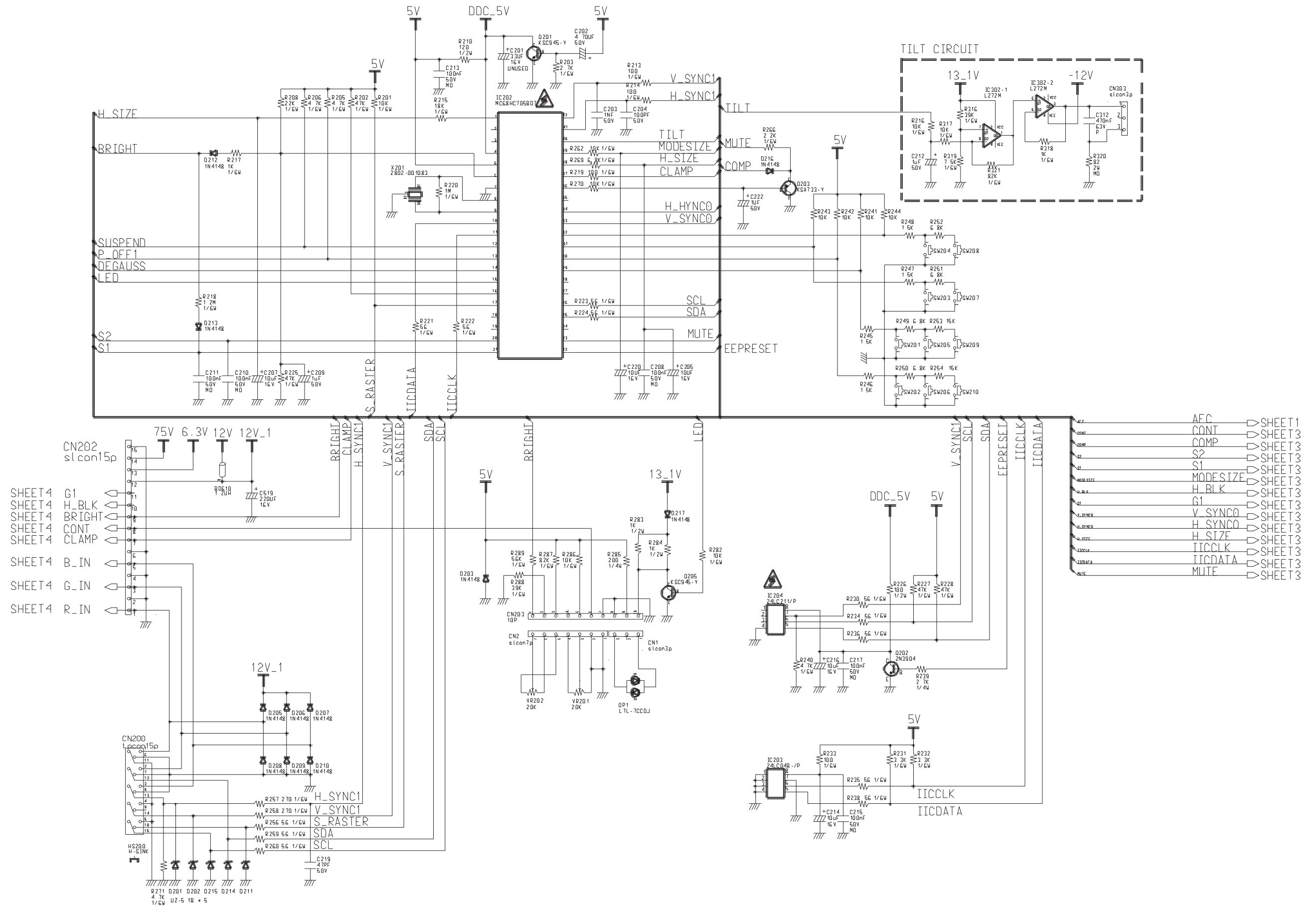


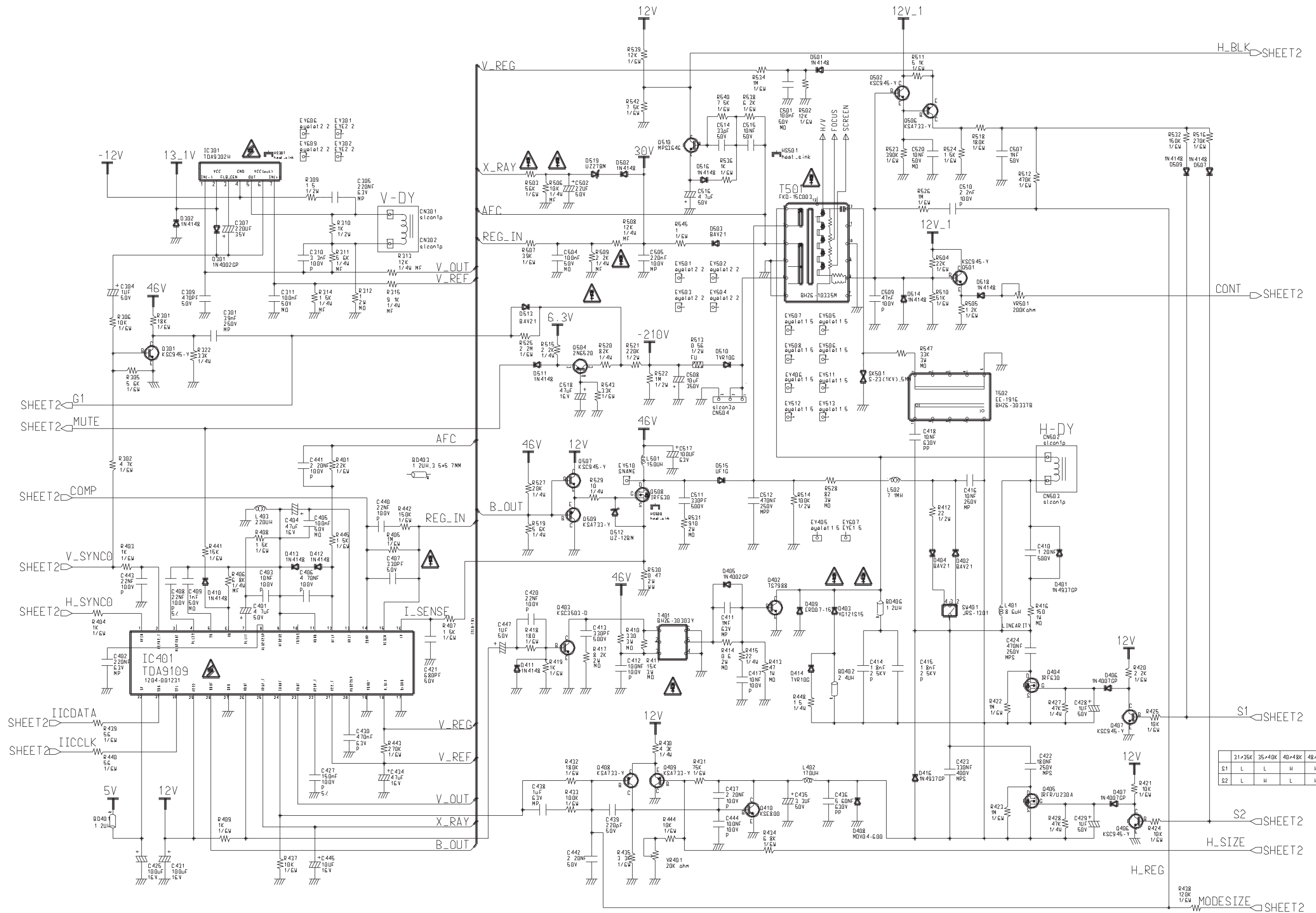
13-1 Power Part Schematic Diagram



13-2 Micro Part Schematic Diagram



13-3 H/V Part Schematic Diagram



13-4 Video Part Schematic Diagram

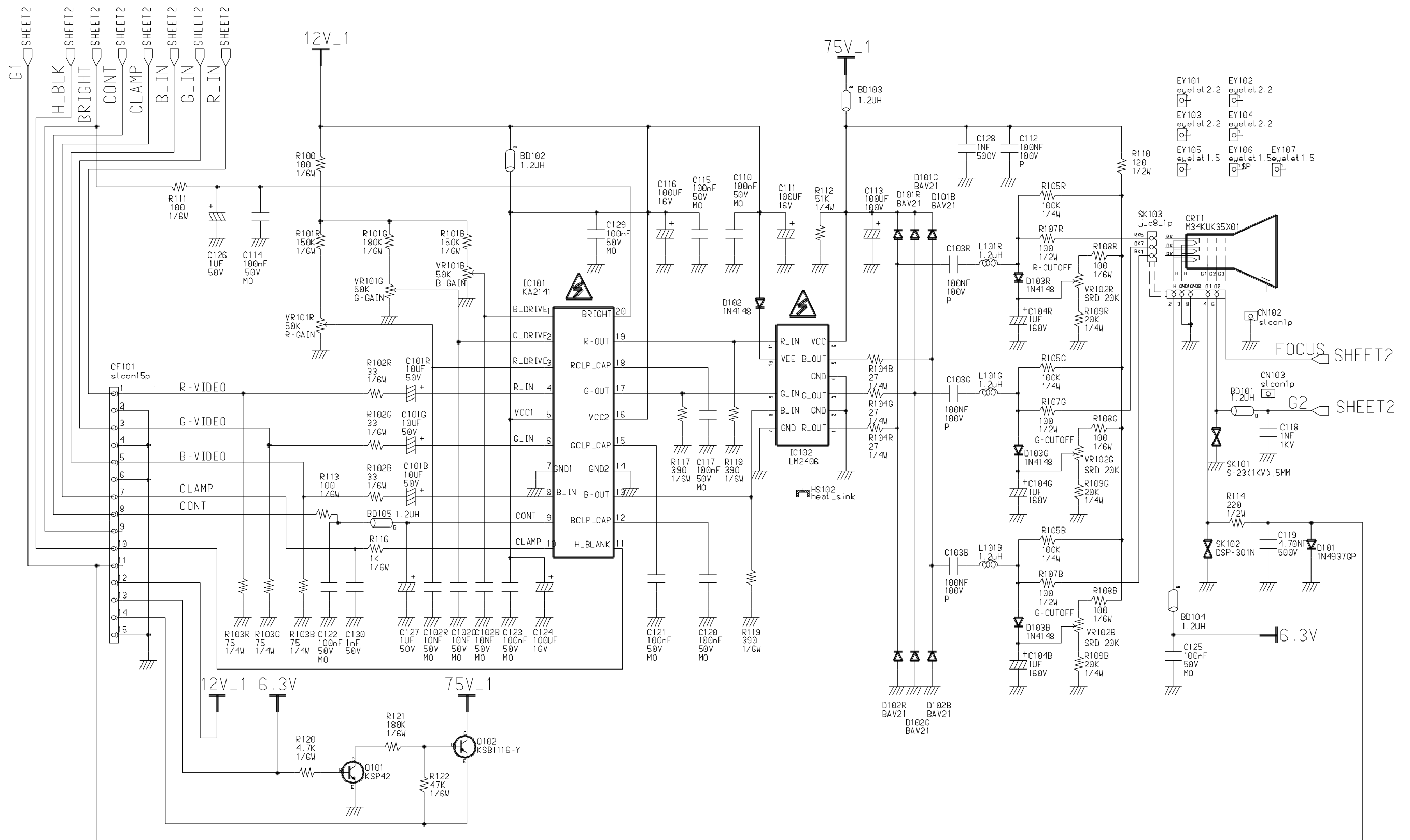


Table 12-1. IC101 (KA2141)

pin #	MODES		pin #	MODES	
	1024 x 768 / 60 Hz	640 x 480 / 60 Hz		1024 x 768 / 60 Hz	640 x 480 / 60 Hz
1	1.47	1.47	11	4.37	4.13
2	1.74	1.74	12	5.79	5.8
3	1.84	1.84	13	3.42	3.35
4	2.39	2.39	14	GND	GND
5	11.65	11.66	15	5.52	5.53
6	2.38	2.38	16	11.65	11.66
7	GND	GND	17	3.53	3.46
8	2.39	2.39	18	5.49	5.50
9	0.16 - 3.04	0.16-3.04	19	3.59	3.52
10	4.99	4.93	20	1.5 - 2.1	1.5 - 2.1

Unit: Vrms

Table 12-2. IC102 (LM2406)

pin #	MODES	
	1024 x 768 / 60 Hz	640 x 480 / 60 Hz
1	44.72	46V
2	GND	GND
3	43.83	45.09
4	GND	GND
5	44.60	46
6	75.66	72.77
7	GND	GND
8	3.42	3.35
9	3.53	3.47
10	11.66	11.66
11	3.59	3.52

Unit: Vrms

Table 12-3. IC202 (68HC705)

pin #	MODES		pin #	MODES	
	1024 x 768 / 60 Hz	640 x 480 / 60 Hz		1024 x 768 / 60 Hz	640 x 480 / 60 Hz
1	0-5	0-5	21	-	-
2	0-5	0-5	22	-	-
3	0-5	0-5	23	5.05	5.05
4	5.03	5.03	24	5.05	5.05
5	5.05	5.05	25	3.82	3.82
6	-	-	26	3.68	3.68
7	GND	GND	27	-	-
8	2.46	2.46	28	5.05	5.05
9	2.08	2.08	29	5.03	5.03
10	5.03	5.03	30	5.02	5.02
11	5.03	5.03	31	5.02	5.02
12	-	-	32	5.03	5.03
13	-	-	33	-	-
14	-	-	34	-	-
15	-	-	35	-	-
16	4.94	4.94	36	-	-
17	-	-	37	4.98	4.98
18	-	-	38	-	-
19	-	-	39	-	-
20	-	-	40	5.03	5.03

Unit: Vrms

Table 112-4. IC203 (24LC04B)

pin #	MODES	
	1024 x 768 / 60 Hz	640 x 480 / 60 Hz
1	GND	GND
2	GND	GND
3	GND	GND
4	GND	GND
5	5.02	5.02
6	5.03	5.03
7	GND	GND
8	5.05	5.05

Unit: Vrms

Table 12-5. IC204 (24LC211/P)

pin #	MODES	
	1024 x 768 / 60 Hz	640 x 480 / 60 Hz
1	-	-
2	-	-
3	-	-
4	GND	GND
5	3.82	3.82
6	3.68	3.68
7	4.78	4.78
8	4.99	4.99

Unit: Vrms

Table 12-6. IC301 (TDA9302)

pin #	MODES	
	1024 x 768 / 60 Hz	640 x 480 / 60 Hz
1	1.09	1.09
2	12.98	12.98
3	10.90	10.90
4	10.99	10.99
5	5.5	5.5
6	12.92	12.92
7	1.09	1.09

Unit: Vrms

Table 12-8. IC401 (TDA9109)

pin #	MODES		pin #	MODES	
	1024 x 768 / 60 Hz	640 x 480 / 60 Hz		1024 x 768 / 60 Hz	640 x 480 / 60 Hz
1	-	-	17	GND	GND
2	-	-	18	7.04	7.04
3	5.06	5.06	19	GND	GND
4	3.026	3.026	20	5.30	5.30
5	4.02	4.02	21	8.04	8.04
6	2.374	2.374	22	3.51	3.51
7	2.378	2.378	23	3.44	3.44
8	7.97	7.97	24	2.901	2.901
9	-	-	25	6.73	6.73
10	9.32	9.32	26	2.772	2.772
11	-	-	27	GND	GND
12	-0.5	-0.5	28	1.633	1.633
13	7.91	7.91	29	12.05	12.05
14	2.349	2.349	30	5.04	5.04
15	4.65	4.65	31	5.04	5.04
16	36.8mV	36.8mV	32	5.04	5.04

Unit: Vrms

Table 12-9. IC601 (TL431CLP)

pin #	MODES	
	1024 x 768 / 60 Hz	640 x 480 / 60 Hz
1	2.52	2.52
2	GND	GND
3	10.69	10.69

Unit: Vrms

Table 12-11. IC603 (7805)

pin #	MODES	
	1024 x 768 / 60 Hz	640 x 480 / 60 Hz
1	13.04	13.04
2	GND	GND
3	5.09	5.09

Unit: Vrms

Table 12-7. IC302 (L2M2M)

pin #	MODES	
	1024 x 768 / 60 Hz	640 x 480 / 60 Hz
1	9.57	9.57
2	13.02	13.02
3	9.54	9.54
4	11.03	11.03
5	9.54	9.54
6	9.57	9.57
7	2.12	2.12
8	2.13	2.13

Unit: Vrms

Table 12-10. IC602 (KA2S0680)

pin #	MODES	
	1024 x 768 / 60 Hz	640 x 480 / 60 Hz
1	189.5	189.5
2	GND	GND
3	19.70	19.70
4	2.389	2.389
5	4.8	4.8

Unit: Vrms

Memo