



## Netfinity Rack Power Distribution Unit Installation Instructions

For more information about this option, refer to the *IBM Netfinity Rack Configurator* program and the *IBM Netfinity Rack Planning and Installation Guide*.

Before you begin, read through these instructions to familiarize yourself with the installation procedure.

This option consists of:

- One power distribution unit (PDU)
- Two mounting brackets (for vertical mounting)
- Four cage nuts
- Eight locking nuts
- Eight screws
- *IBM Netfinity Rack Power Distribution Unit Installation Instructions* (this booklet)

You need a screwdriver and a 10 mm open-end wrench to install the power distribution unit.

**Note:** The illustrations in this booklet might look slightly different from your hardware.

If you are installing the PDU vertically in the side of the rack, go to “Vertical Installation” on page 2.

If you are installing the PDU horizontally in the rack, go to “Horizontal Installation” on page 4. Two people might be required to install the PDU horizontally.

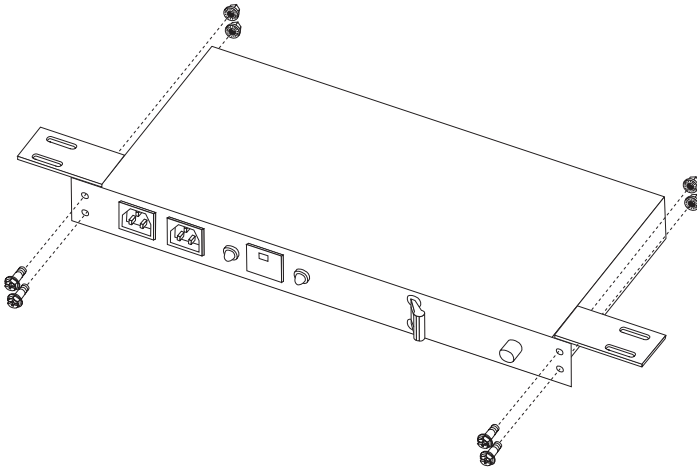
## Vertical Installation

The PDU can be mounted vertically in the left side or the right side of the rack. These instructions show a right-side installation.

In a vertical installation, mount the PDU so the eight power outlets face the rear of the rack. Follow these instructions to install the PDU vertically in the rack.

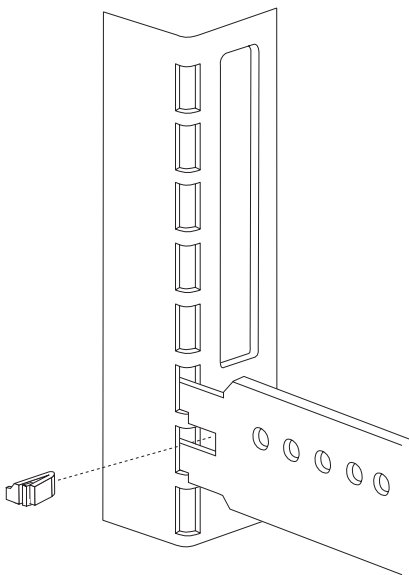
1. Using four screws and four nuts, install the two PDU mounting brackets on the PDU as shown below.

**Note:** In a vertical installation, the PDU must be installed with the circuit breaker toward the top. The figure shows the brackets mounted for a right-side installation.



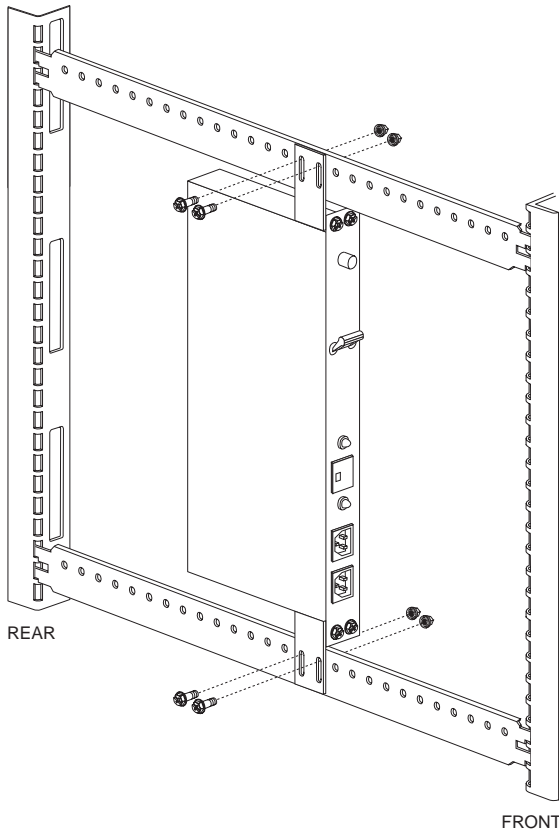
The bottom two side braces on both sides of the rack are installed with a vertical clearance (distance) of 51.3 cm (20.2 in.) to accommodate the PDU installation. If the braces do not have this clearance, proceed with step 2. If the braces have this clearance, go to step 3 on page 3.

2. Adjust the rack side braces for a vertical clearance (distance) of 51.3 cm (20.2 in.).
  - a. Compress the plastic clip at the front end of the side brace and remove the clip. Save the clip.



- b. Lift the side brace up to disengage it from the vertical mounting rails.
- c. Slide the side brace toward the rear of the rack and out of the front vertical mounting rail.

- d. Slide the side brace toward the front of the rack and remove it from the rear vertical mounting rail.
  - e. Move the side brace so you have a vertical clearance (distance) of 51.3 cm (20.2 in.) between the two braces.
  - f. Insert the rear of the side brace into the holes in the rear vertical mounting rail.
  - g. Insert the front of the side brace into the holes in the front vertical mounting rail.
  - h. Make sure the ends of the side brace are installed at the same level in both vertical mounting rails.
  - i. Push the side brace down to latch the ends of the side brace into the vertical mounting rails.
  - j. Insert the small plastic clip into the front end of the side brace until it snaps in place.
  - k. Check that you have a vertical clearance (distance) of 51.3 cm (20.2 in.) between the two braces.
3. Install the PDU.
- a. Position the PDU in the center between the front and rear corner posts.
  - b. Insert a screw through the PDU mounting bracket and the rack side brace. The screw head must be on the inside of the rack.



- c. Thread a nut on the screw.
- d. Repeat steps 3b and 3c for the remaining three screws and nuts.
- e. Tighten the screws.

The PDU installation is complete. You can now plug your server power cables into the PDU and plug the PDU power cable into your power source.

## Horizontal Installation

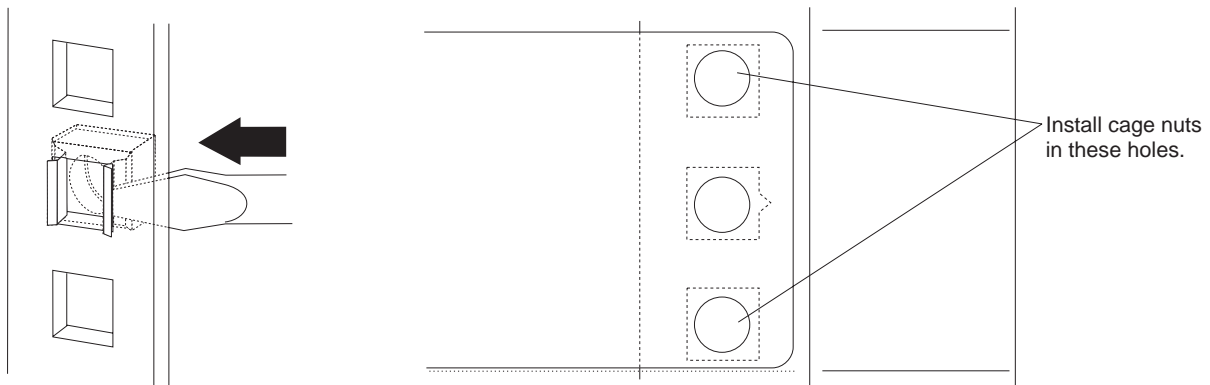
The PDU can be mounted horizontally in the front or the rear of the rack. Follow these instructions to install the PDU horizontally in the rack.

1. Decide at what U level you want to install the PDU. Make sure the PDU is contained within one U space.

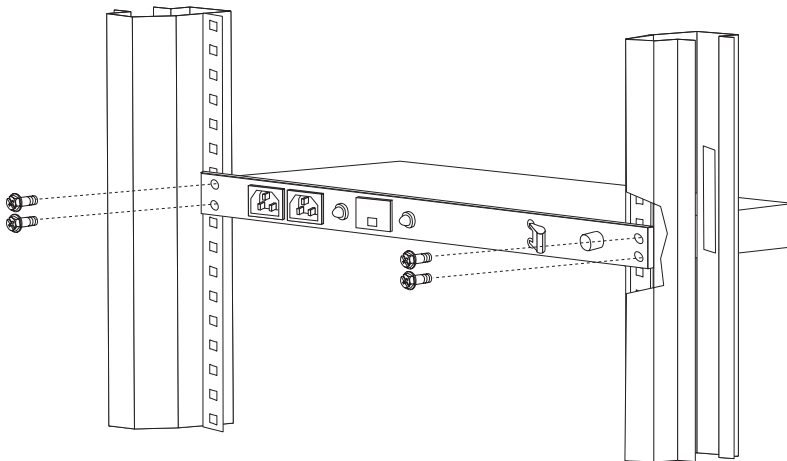
**Note:** All vertical rack measurements are given in rack units (U). One U is equal to 4.45 cm (1.75 in.). The U levels are marked on labels on one front mounting rail and one rear mounting rail.

2. Install two cage nuts on each mounting rail at the locations shown below.

The nuts go toward the inside of the rack. Make sure you install the cage nuts at the same level on the two mounting rails.



- a. Hook one side of the cage-nut clip into the rack-mounting-rail square hold.
  - b. Hold the cage nut in place and compress the cage-nut clip with a flat screwdriver blade.
  - c. With the cage-nut clip compressed, push the cage nut-clip into the square hole.
  - d. Release the screwdriver pressure on the clip. The cage nut is now locked in the square hole.
3. Hold the PDU against the cage nuts installed in step 2.
  4. Thread a screw through the hole in the PDU mounting flange and into a cage nut.



5. Repeat step 4 for the remaining three screws.
6. Tighten the four screws.

The PDU installation is complete. You can now plug your server power cables into the PDU and plug the PDU power cable into your power source.

---

## Product Warranty

The following is the statement of limited warranty for the United States, Canada, and Puerto Rico.

International Business Machines Corporation

Armonk, New York, 10504

### Statement of Limited Warranty

*The warranties provided by IBM in this Statement of Limited Warranty apply only to Machines you originally purchase for your use, and not for resale, from IBM or your reseller. The term "Machine" means an IBM machine, its features, conversions, upgrades, elements, or accessories, or any combination of them. Unless IBM specifies otherwise, the following warranties apply only in the country where you acquire the Machine. If you have any questions, contact IBM or your reseller.*

**Machine:** IBM Netfinity Rack Power Distribution Unit

**Warranty Period\*:** Three Years

*\*Contact your place of purchase for warranty service information.*

### Production Status

Each Machine is manufactured from new parts, or new and used parts. In some cases, the Machine may not be new and may have been previously installed. Regardless of the Machine's production status, IBM's warranty terms apply.

### The IBM Warranty for Machines

IBM warrants that each Machine 1) is free from defects in materials and workmanship and 2) conforms to IBM's Official Published Specifications. The warranty period for a Machine is a specified, fixed period commencing on its Date of Installation. The date on your receipt is the Date of Installation, unless IBM or your reseller informs you otherwise.

During the warranty period IBM or your reseller, if authorized by IBM, will provide warranty service under the type of service designated for the Machine and will manage and install engineering changes that apply to the Machine.

For IBM or your reseller to provide warranty service for a feature, conversion, or upgrade, IBM or your reseller may require that the Machine on which it is installed be 1) for certain Machines, the designated, serial-numbered Machine and 2) at an engineering-change level compatible with the feature, conversion, or upgrade. Many of these transactions involve the removal of parts and their return to IBM. You represent that all removed parts are genuine and unaltered. A part that replaces a removed part will assume the warranty service status of the replaced part.

If a Machine does not function as warranted during the warranty period, IBM or your reseller will repair it or replace it with one that is at least functionally equivalent, without charge. The replacement may not be new, but will be in good working order. If IBM or your reseller is unable to repair or replace the Machine, you may return it to your place of purchase and your money will be refunded.

If you transfer a Machine to another user, warranty service is available to that user for the remainder of the warranty period. You should give your proof of purchase and this Statement to that user. However, for Machines which have a life-time warranty, this warranty is not transferable.

### Warranty Service

To obtain warranty service for the Machine, you should contact your reseller or call IBM. In the United States, call IBM at **1-800-772-2227**. In Canada, call IBM at **1-800-565-3344**. You may be required to present proof of purchase.

IBM or your reseller will provide certain types of repair and exchange service, either at your location or at IBM's or your reseller's service center, to restore a Machine to good working order.

When a type of service involves the exchange of a Machine or part, the item IBM or your reseller replaces becomes its property and the replacement becomes yours. You represent that all removed items are genuine and unaltered. The replacement may not be new, but will be in good working order and at least functionally equivalent to the item replaced. The replacement assumes the warranty service status of the replaced item. Before IBM or your reseller exchanges a Machine or part, you agree to remove all features, parts, options, alterations, and attachments not under warranty service. You also agree to ensure that the Machine is free of any legal obligations or restrictions that prevent its exchange.

You agree to:

1. obtain authorization from the owner to have IBM or your reseller service a Machine that you do not own; and
2. where applicable, before service is provided —
  - a. follow the problem determination, problem analysis, and service request procedures that IBM or your reseller provide,
  - b. secure all programs, data, and funds contained in a Machine, and
  - c. inform IBM or your reseller of changes in a Machine's location.

IBM is responsible for loss of, or damage to, your Machine while it is 1) in IBM's possession or 2) in transit in those cases where IBM is responsible for the transportation charges.

### **Extent of Warranty**

IBM does not warrant uninterrupted or error-free operation of a Machine.

The warranties may be voided by misuse, accident, modification, unsuitable physical or operating environment, improper maintenance by you, removal or alteration of Machine or parts identification labels, or failure caused by a product for which IBM is not responsible.

THESE WARRANTIES REPLACE ALL OTHER WARRANTIES OR CONDITIONS, EXPRESS OR IMPLIED, INCLUDING, BUT NOT LIMITED TO, THE IMPLIED WARRANTIES OR CONDITIONS OF MERCHANTABILITY AND FITNESS FOR A PARTICULAR PURPOSE. THESE WARRANTIES GIVE YOU SPECIFIC LEGAL RIGHTS AND YOU MAY ALSO HAVE OTHER RIGHTS WHICH VARY FROM JURISDICTION TO JURISDICTION. SOME JURISDICTIONS DO NOT ALLOW THE EXCLUSION OR LIMITATION OF EXPRESS OR IMPLIED WARRANTIES, SO THE ABOVE EXCLUSION OR LIMITATION MAY NOT APPLY TO YOU. IN THAT EVENT SUCH WARRANTIES ARE LIMITED IN DURATION TO THE WARRANTY PERIOD. NO WARRANTIES APPLY AFTER THAT PERIOD.

### **Limitation of Liability**

Circumstances may arise where, because of a default on IBM's part or other liability you are entitled to recover damages from IBM. In each such instance, regardless of the basis on which you are entitled to claim damages from IBM (including fundamental breach, negligence, misrepresentation, or other contract or tort claim), IBM is liable only for:

1. damages for bodily injury (including death) and damage to real property and tangible personal property; and
2. the amount of any other actual direct damages or loss, up to the greater of U.S. \$100,000 or the charges (if recurring, 12 months' charges apply) for the Machine that is the subject of the claim.

UNDER NO CIRCUMSTANCES IS IBM LIABLE FOR ANY OF THE FOLLOWING: 1) THIRD-PARTY CLAIMS AGAINST YOU FOR LOSSES OR DAMAGES (OTHER THAN THOSE UNDER THE FIRST ITEM LISTED ABOVE); 2) LOSS OF, OR DAMAGE TO, YOUR RECORDS OR DATA; OR 3) SPECIAL, INCIDENTAL, OR INDIRECT DAMAGES OR FOR ANY ECONOMIC CONSEQUENTIAL DAMAGES (INCLUDING LOST PROFITS OR SAVINGS), EVEN IF IBM OR YOUR RESELLER IS INFORMED OF THEIR POSSIBILITY. SOME JURISDICTIONS DO NOT ALLOW THE EXCLUSION OR LIMITATION OF INCIDENTAL OR CONSEQUENTIAL DAMAGES, SO THE ABOVE EXCLUSION OR LIMITATION MAY NOT APPLY TO YOU.

**30F6966**

Printed in the U.S.A.

© Copyright International Business Machines Corporation 1997. All rights reserved.

Note to U.S. Government Users — Documentation related to restricted rights — Use, duplication or disclosure is subject to restrictions set forth in GSA ADP Schedule Contract with IBM Corp.