



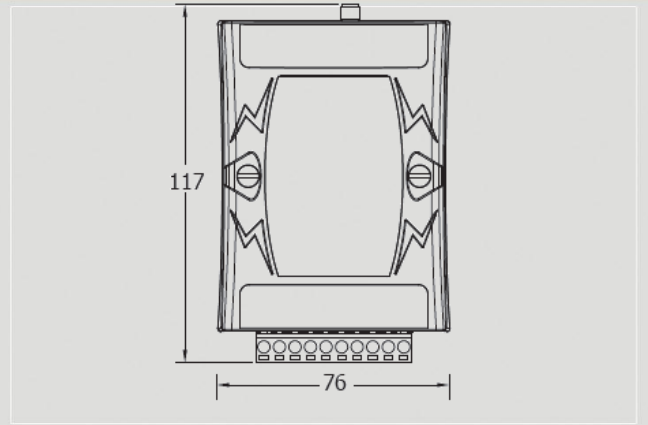
Wi-Fi Series Products



MB TCP/RTU Data-Exchange With Wi-Fi Interface Gateway



RMV-760D-MTCP



Dimensions

RMV-760D-TCP is a Modbus TCP/RTU gateway. It exchanges Modbus command from Modbus TCP/RTU master to Modbus RTU/TCP slave. Modbus TCP command can be transceived not only Ethernet port but also Wi-Fi interface. It supports VxCOMM and Pair-Connection functions. Users can choose Ethernet mode or Wi-Fi mode to do the pair connection, which provides TCP data tunneling between two serial devices.

Features

- Support pair-connection applications
- Support Virtual COM applications
- Application Modes: Virtual COM, MB TCP Server/Client, MB RTU Master/Slave
- Supports static IP/DHCP (Ad Hoc mode don't support DHCP)
- Ethernet Protocol: TCP, UDP, IP, ICMP, ARP, RARP
- Support IEEE 802.11 b/g for Wi-Fi mode and Ad Hoc mode
- Support WEP-64, WEP-128, WPA-TKIP and WPA2-AES encryption for Wi-Fi mode
- Support WEP-64, WEP-128 encryption for Ad Hoc mode
- Auto control channel in AP mode
- Provides 1~13 RF channels

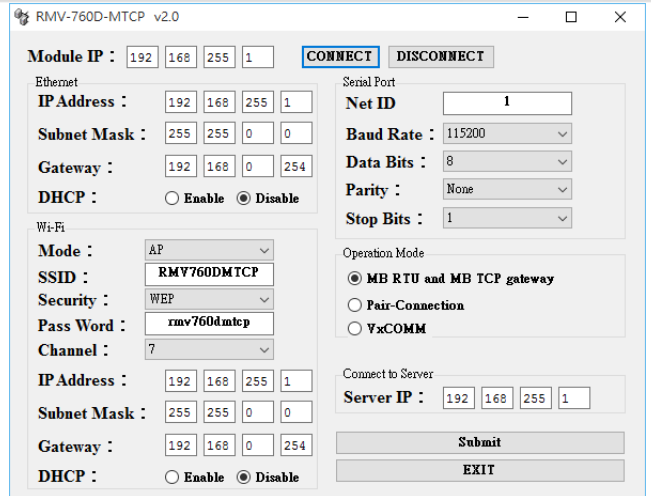
Modbus Support

- Only the following Modbus commands are supported by the gateway.

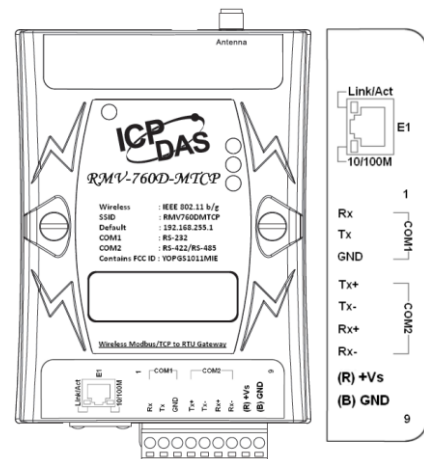
Utility Features

ICP DAS provides the RMV-760D-MTCP configuration utility for Windows 2K/XP/Vista and Win 7.

- Ethernet Settings
- Wi-Fi Settings
- Serial Port Settings
- Operation Mode Settings



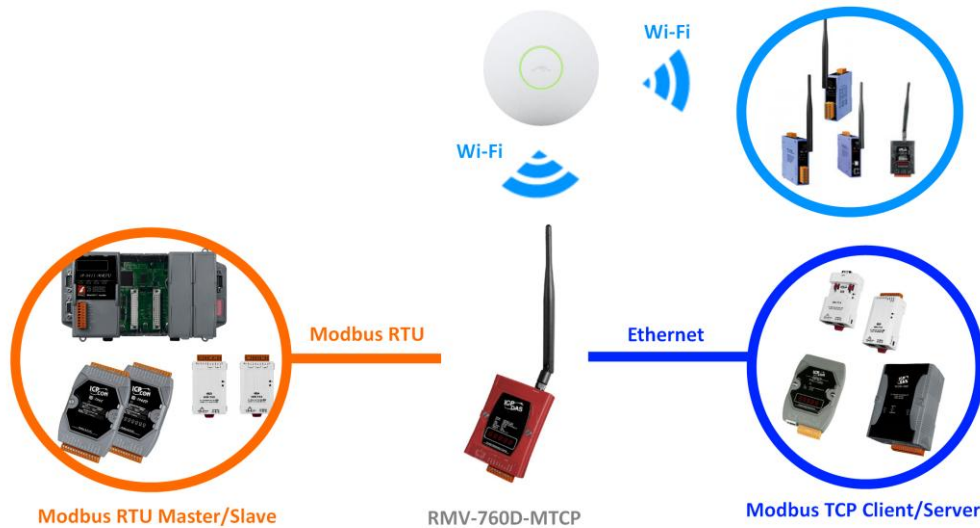
Pin Assignments



Hardware Specifications

Hardware	
CPU	32-bit MCU
Ethernet	10/100 Base-TX, 8-pin RJ-45 x 1
COM1	3-wire RS-232 / 2-wire RS-485 / 4-wire RS-422
Power	
Power Input	+10 ~ 30 VDC
Power Consumption	0.05 A @ 24 VDC
Mechanism	
Mounting	DIN-Rail
Dimensions (W x L x H)	76 mm x 38 mm x 118 mm
Environment	
Operating Temperature	-25 ~ +75 °C
Storage Temperature	-30 ~ +80 °C
Humidity	10 ~ 90% RH, non-condensing
Feature	
VxServer	Includes a VxComm Driver for 32/64-bit Windows XP/2003/Vista/7
Pair-Connection	Supports pair-connection applications
Modbus Protocol	Supports Modbus RTU/TCP master and slave

Applications



Ordering Information

RMV-760D-MTCP CR MB TCP/RTU Data-Exchange With Wi-Fi Interface Gateway. (RoHS)