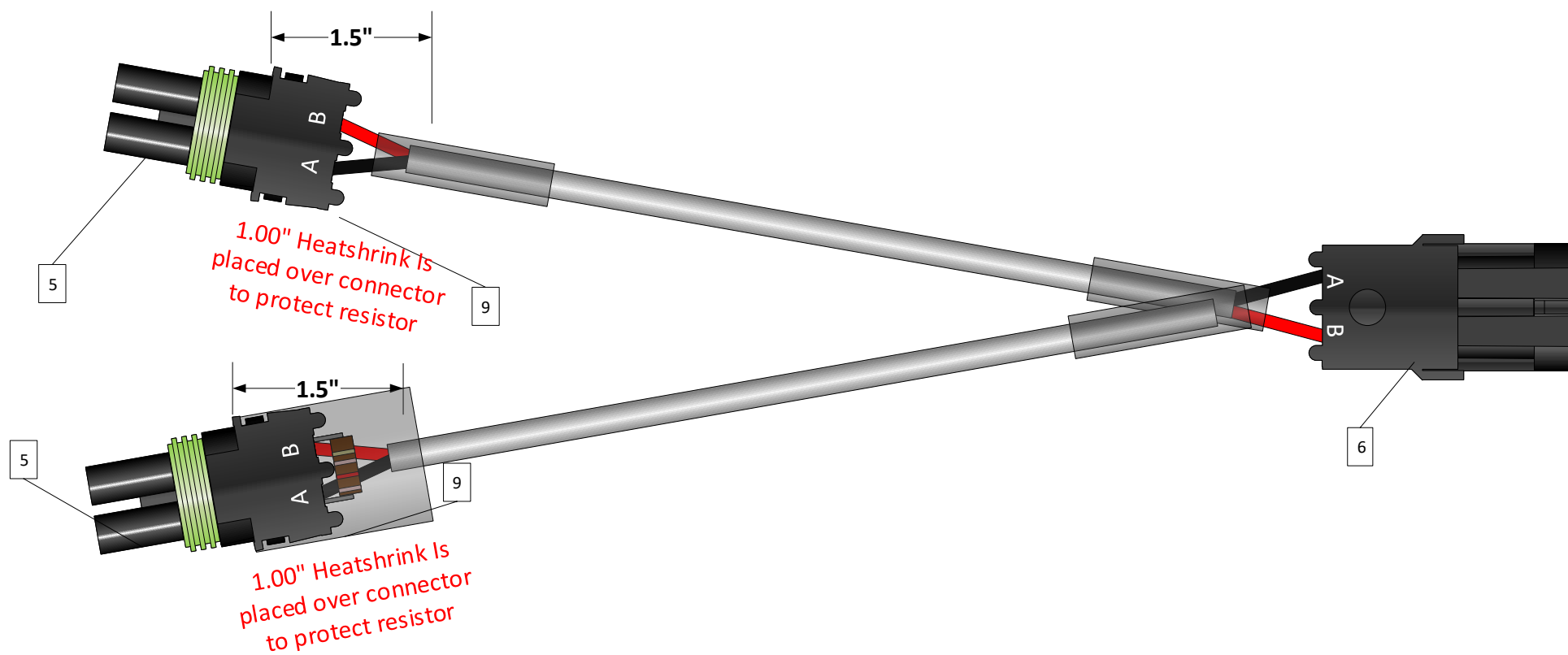
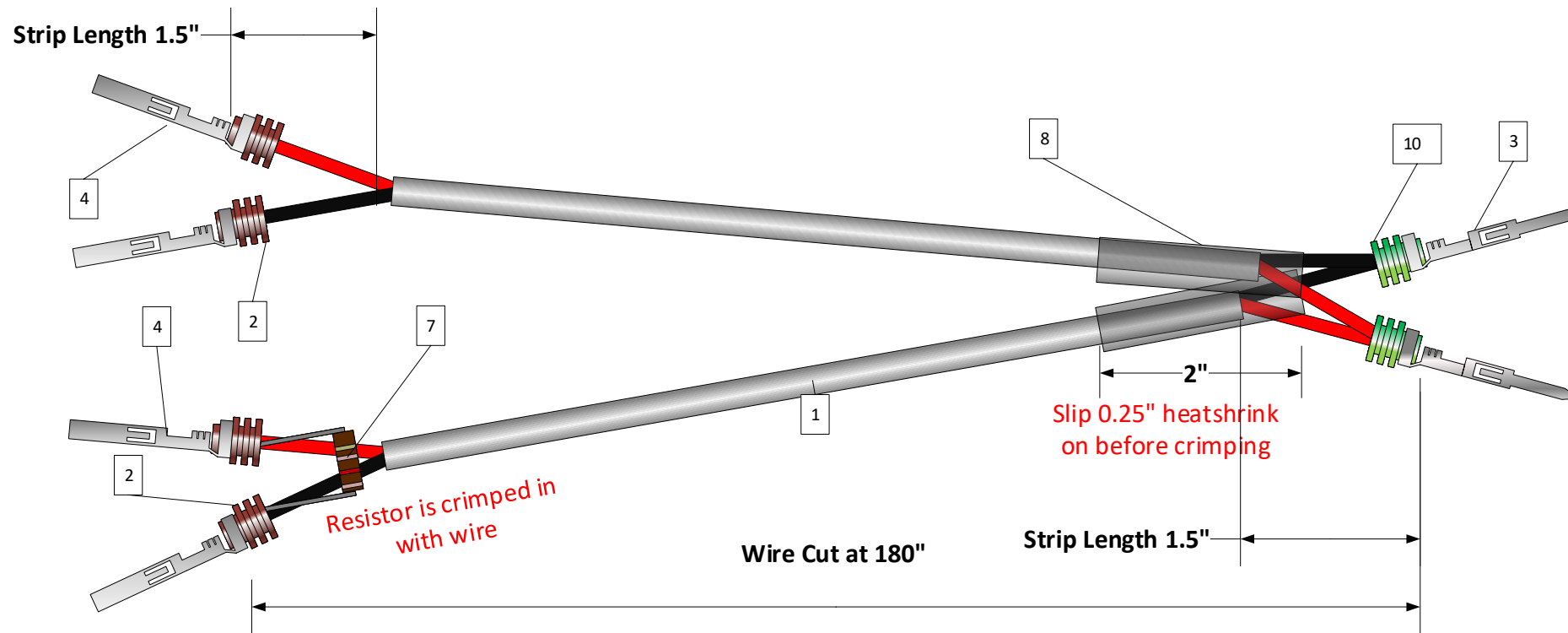



Pinouts			
Connector	Pin #	Wire Color	Definition
Aptiv: Weatherpack	A	Black	CAN Low
Aptiv: Weatherpack	B	Red	CAN High

REV	Change Log	Date
0	Checking	12/11/20
A	Released	1/4/20
A.1	Added Part Sub, Fixed PN Typo	1/14/20



Bill Of Materials				
#	Li3 Part Number	MFG Part Number	QTY	Description
1	97-109	Belden: 8205 0601000 Sub: Quabbin: Q6130	360"	Twisted Pair, 20AWG, Tinned, PVC, Unshielded
2	80-304	Aptiv: 15324983	4	24-20 gauge, weatherpack seal, Purple
3	80-260	Aptiv: 12089040	2	20 - 18 gauge, male weatherpack terminal
4	80-261	Aptiv: 12089188	4	20 - 18 gauge, female weatherpack terminal
5	80-253	Aptiv: 12010973	1	2 way male weatherpack connector
6	80-252	Aptiv: 12015792	2	2 way female weatherpack connector
7	55-164	Ohmite: OF121JE	1	CANbus termination, 120 OHM 1/2W 5% AXIAL
8	94-100-025-BLK	Heatshrink 3:1 0.25"	4"	Heatshrink 3:1 0.25"
9	94-103-100-BLK	Marine Heatshrink 3:1 w/ Glue 1.00"	1.5"	Marine Heatshrink 3:1 w/ Glue 1.00"
10	80-266	Aptiv: 15324982	2	18-20 gauge, weatherpack seal, green

DATE		Part Number	
12-28-20		75-111W-Y-180	
DRAWN	AQS	Description CANbus Y-Splitter Extension with 120 Ohm Terminator	Project CANbus Wiring
REVIEWED	TC		Design State Released
APPROVED	DB		
<small>PROPRIETARY AND CONFIDENTIAL</small> <small>THE INFORMATION CONTAINED IN THIS DRAWING IS THE SOLE PROPERTY OF LITHIONICS BATTERY 1770 CALUMET ST. CLEARWATER, FL 33765</small> <small>ANY PARTY ACCEPTING THIS DOCUMENT DOES SO IN CONFIDENCE AND AGREES THAT IT SHALL NOT BE DUPLICATED IN WHOLE OR IN PART, NOR DISCLOSED TO OTHERS, WITHOUT THE CONSENT OF LITHIONICS BATTERY.</small>		 Lithionics Battery	SHEET 1 OF 1
			REV A.1