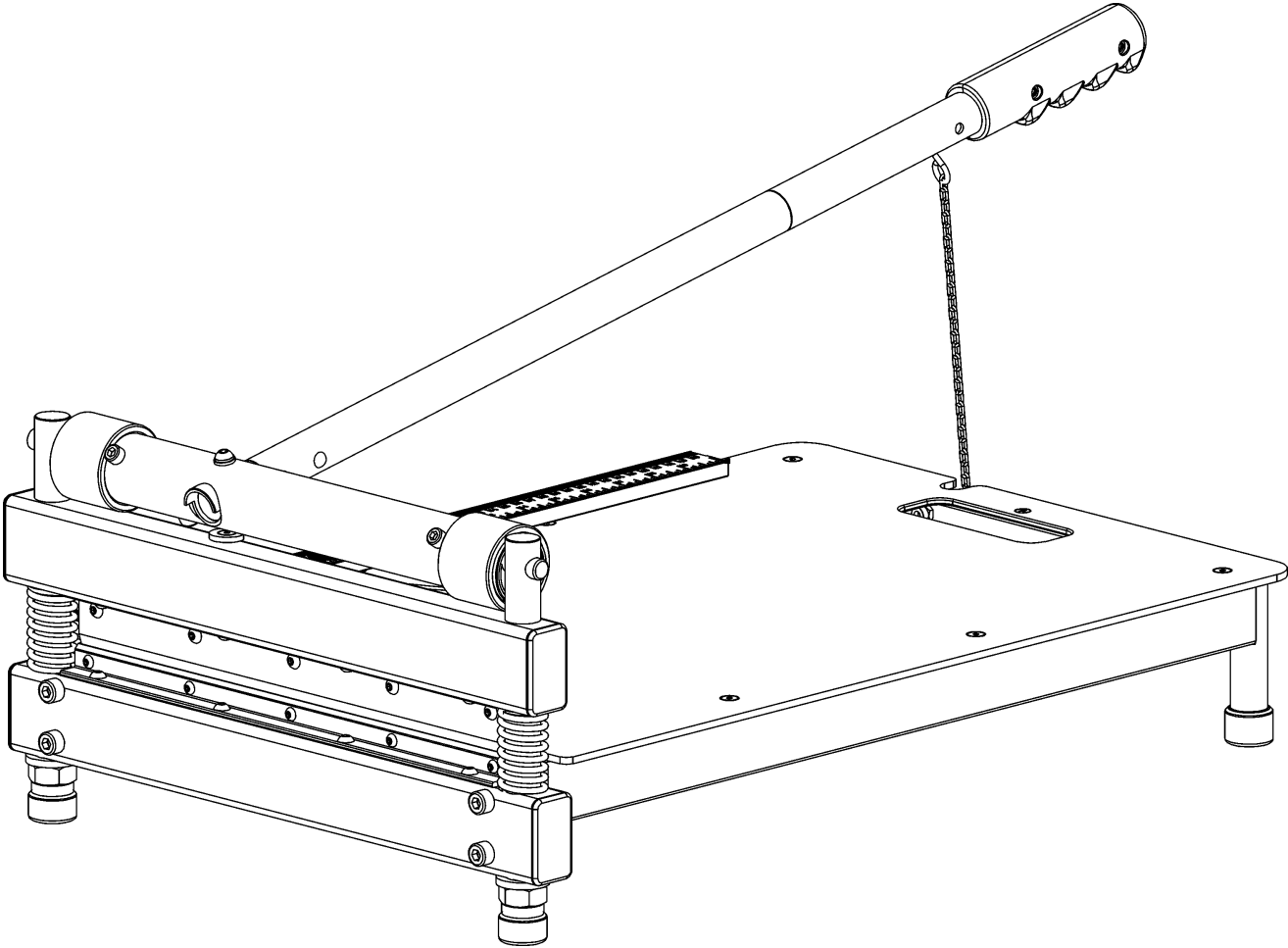


# D-CUT<sup>®</sup>

## OPERATION MANUAL

---

Flooring Cutter DY-340





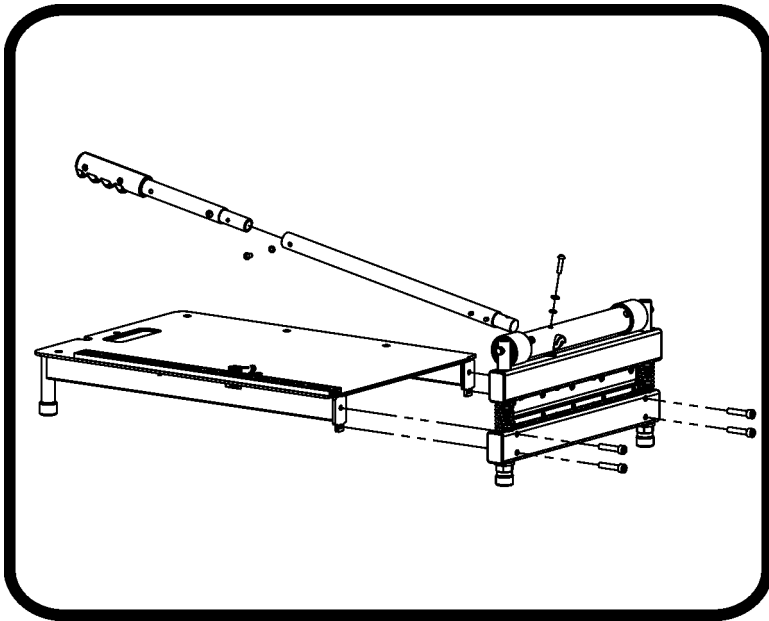
**WARNING: FAILURE TO FOLLOW THESE RULES MAY RESULT IN SERIOUS INJURY! USING THIS MACHINE WITH RESPECT AND CAUTION WILL CONSIDERABLY LESSEN THE POSSIBILITY OF PERSONAL INJURY.**

---

## **SAFETY RULES FOR THE FLOORING CUTTER**

**READ AND UNDERSTAND THIS INSTRUCTION MANUAL BEFORE OPERATING THEMULTI-FLOORING CUTTERS.**

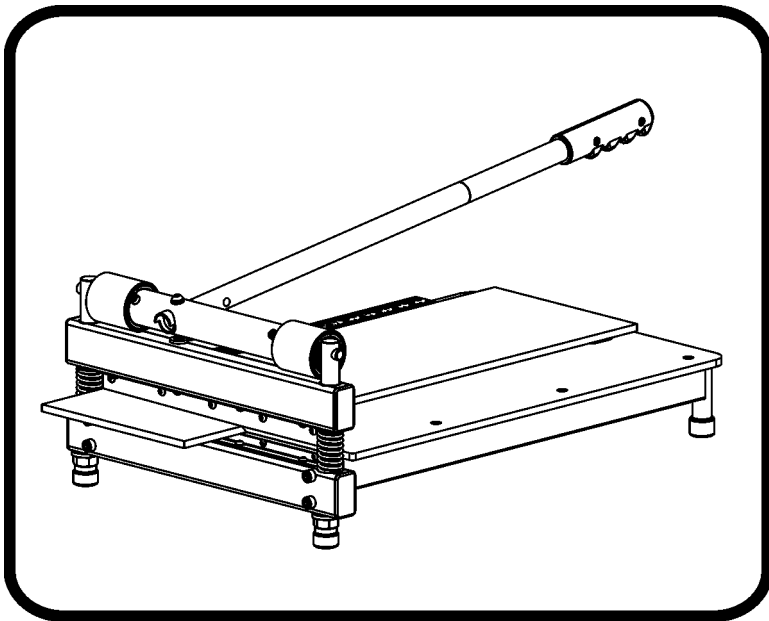
1. If you are not thoroughly familiar with the operation of Multi-flooring Cutter, obtain advice from a qualified instructor or call 630-916-9100 USA
2. Stay alert. Do not operate while under the influence of drugs, alcohol, or medication.
3. Always wear safety approved eye protection with side shields(ANSI Z87.1)
4. Keep work area free of debris.
5. Keep children and unauthorized persons away from the Multi-flooring Cutter and work area.
6. Make sure tool is secure. Operate only on a firm substrate or solid stand.
7. Use the right tool. Do not force the Multi-flooring Cutter or use it for a job for which it was not designed for. Use it only on approved materials.
8. Keep the blade sharp. A dull blade will not perform properly.
9. Always keep hands away from the sharp edge of the blade while operating or carrying the cutter.
10. Do not alter or misuse this tool. The Multi-flooring Cutter is precision built; modifications not specified in this manual may result in a dangerous and unsafe environment.
11. Maintain the Multi-flooring Cutter with care. Keep Blade sharp and clean. Follow instructions for changing accessories.
12. Use only recommended accessories. The use of improper accessories may be hazardous and cause injuries.
13. Never leave the Multi-flooring Cutter unattended. Secure the handle with the lock device when not in use.



### Assembly

Assemble the table and handle to the cutter base with provided screws and bolts as shown.

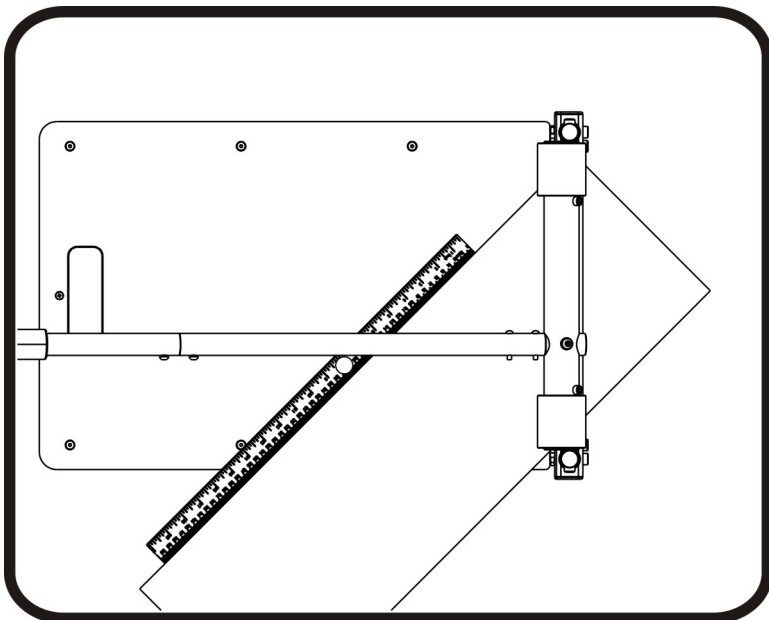
**Warning:** Do not put your fingers against the sharp edge of the blade at any time.



### Straight Cut

Insert material between the cutting blade and the base, flush it with the guide bar as shown and hold the material then push handle down to complete a cut.

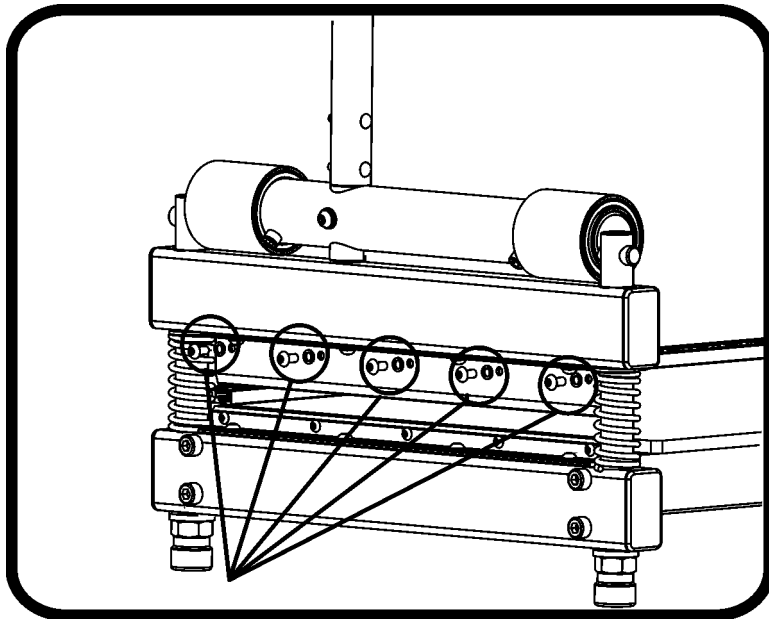
**Warning:** Maintain control of the handle. Do not allow handle to slam back after making a cut.



### 45° Cut

Adjust the angle attachment to 45°. Insert material between the cutting blade and the base, against the angle attachment as shown, then push the handle down to complete a cut.

**Warning:** Maintain control of the handle. Do not allow handle to slam back after making a cut.

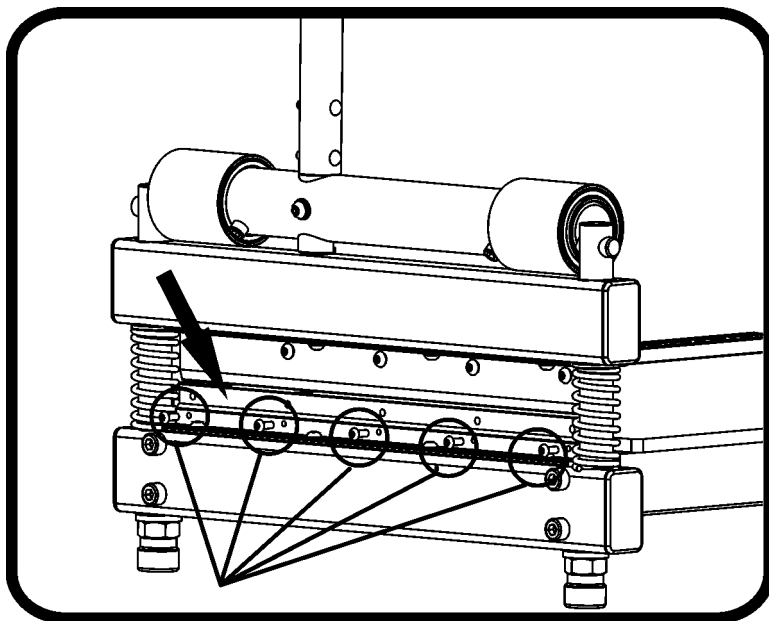


### Changing the Blade

Use the provided Allan wrench to remove the five screws, then hold the blade by each end and carefully move the blade out of blade holder.

**Note:** the flat side of the blade should face the table.

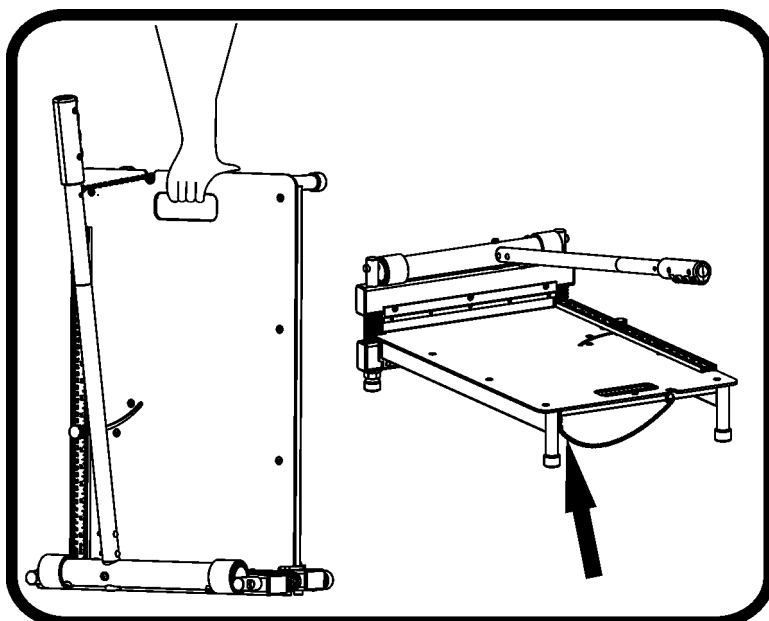
**Warning:** Do not put your fingers against the sharp edge of the blade at any time.



### Changing the Nylon Bar

Use the provided Allan wrench to remove the five screws, then hold the nylon bar and carefully move it out of nylon bar holder.

**Warning:** Do not put your fingers against the sharp edge of the blade at any time.

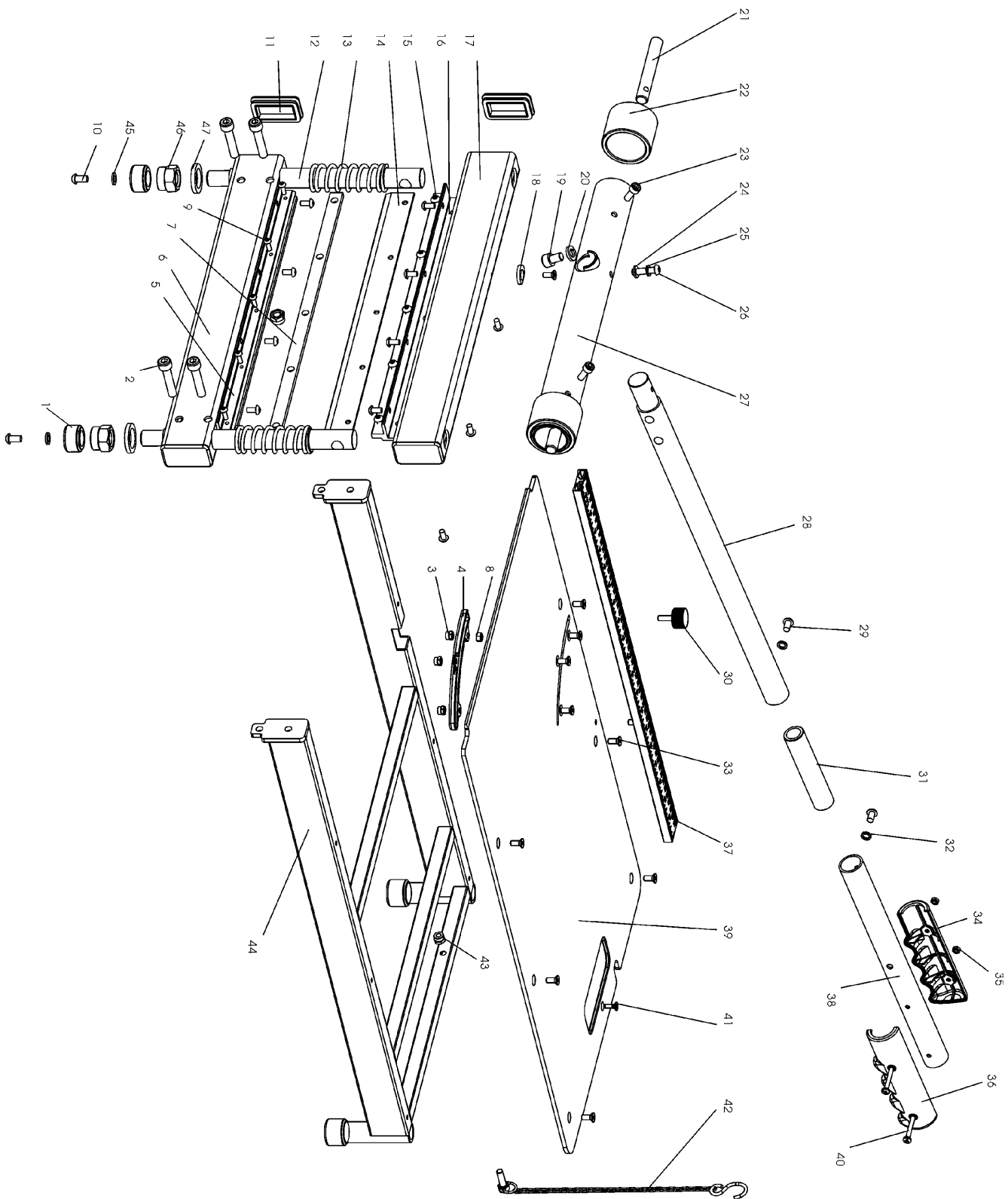


### Transport

Hook up the chain as shown to the handle and carry the cutter as shown.

When using the cutter, please hook up the chain to the main base as shown.

# PARTS LIST





# PARTS LIST

|    | Parts                  | Q'ty |    | Parts                    | Q'ty |
|----|------------------------|------|----|--------------------------|------|
| 1  | Rubber Feet            | 4    | 25 | Spring Washer $\Phi 6$   | 1    |
| 2  | Bolt M8 $\times$ 40    | 4    | 26 | Screw M6 $\times$ 25     | 1    |
| 3  | Locker Nut M5          | 3    | 27 | Eccentric Cam            | 1    |
| 4  | Angel Rail             | 1    | 28 | Handle A                 | 1    |
| 5  | Nylon Bar              | 1    | 29 | Screw M6 $\times$ 10     | 2    |
| 6  | Main Base              | 1    | 30 | Knurled Screw M8         | 1    |
| 7  | Nylon Bar              | 1    | 31 | Handle Connector         | 1    |
| 8  | Nut M5                 | 1    | 32 | Washer $\Phi 6$          | 2    |
| 9  | Screw M4 $\times$ 12   | 5    | 33 | Screw M5 $\times$ 12     | 10   |
| 10 | Screw M6 $\times$ 12   | 4    | 34 | Right ABS Handle         | 1    |
| 11 | End Cap                | 16   | 35 | Nut M4                   | 2    |
| 12 | God                    | 2    | 36 | Left ABS Handle          | 1    |
| 13 | Spring                 | 2    | 37 | Guide Bar                | 1    |
| 14 | Blade                  | 1    | 38 | Handle B                 | 1    |
| 15 | Screw M5 $\times$ 10   | 16   | 39 | Working Table            | 1    |
| 16 | Blade Holder           | 1    | 40 | Screw M4 $\times$ 31     | 2    |
| 17 | Blade Holder Base      | 1    | 41 | ST Screw 4.2 $\times$ 13 | 1    |
| 18 | Stopper                | 1    | 42 | Chain Assemble           | 1    |
| 19 | Screw M8 $\times$ 12   | 1    | 43 | Locker Nut M6            | 1    |
| 20 | Spring Washer $\Phi 8$ | 1    | 44 | Welding Frame            | 1    |
| 21 | Shaft                  | 2    | 45 | Washer $\Phi 6$          | 4    |
| 22 | Wheel                  | 2    | 46 | Nut M16                  | 2    |
| 23 | Screw M6 $\times$ 16   | 2    | 47 | Washer                   | 2    |
| 24 | Washer                 | 1    |    |                          |      |