

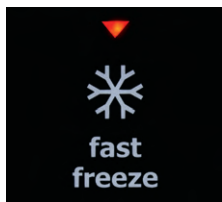
Upright Freezer

EILFU17G S



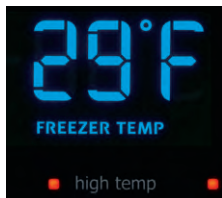
17 Cu. Ft. Capacity

Contains 17 cubic feet of freezer storage space to accommodate a large amount of food and frozen items. Versatile and convenient to use, this unit offers two Luxury-Glide™ full-width baskets, four glass shelves and five door shelves, including two that tilt out for easy access.



Fast Freeze™ Option

Freezes food faster to lock in freshness.



Alarm System

Notifies you if there's been a power failure, if a door stays open longer than five minutes and if the interior temperature of the freezer rises above 23 degrees for more than 60 minutes.



Frost-Free Design

The freezer defrosts itself so you don't have to. With the automatic Ice Maker, you'll always have extra ice on hand.



17 CU. FT. UPRIGHT FREEZER

ENERGY STAR®	Yes
--------------	-----

Capacities

Total Volume	16.8 Cu. Ft.
Shelf Area	20 Sq. Ft.

Features

IQ-Touch™ Electronic Controls	Yes
Digital Exterior Control Center	Yes
Frost-Free Performance	Yes
Adjustable Temp Control	Yes
Display Temp Mode (°C or °F)	Yes
Fast Freeze™	Yes
High-Temperature Alarm System	Yes
System Error Alarm	Yes
Interior Lighting	Yes
Power-On Light	Yes
Adjustable Glass Shelves	2
Fixed Glass Shelves	2
Luxury-Glide™ Full-Width Freezer Baskets	2
Adjustable Door Shelves	2
Fixed Door Shelves	1
Tilt-Out Wire Door Shelves	2
Automatic Ice Maker	Yes

Additional Features

Signature Soft-Arc Door and Handle Design	Yes
Lock with Pop-Out Key	Yes
Automatic Door Closer	Yes
Defrost Drain	Yes
Adjustable Leveling Legs	2

Accessories

Pizza Shelf	Included
Small Items Shelf	Included
2 Basket Dividers	Included

Color / UPC (0-12505-)

Stainless Steel (S)	22528-4
---------------------	---------

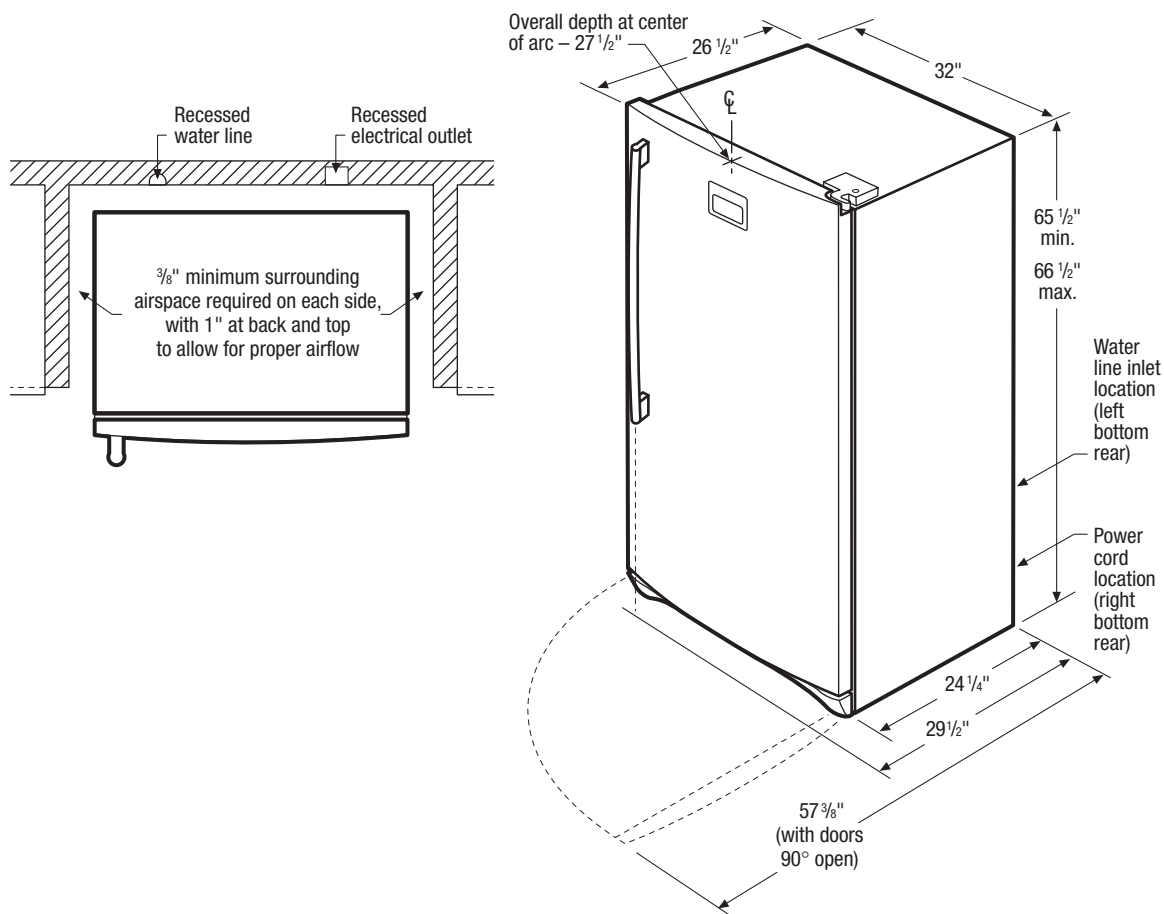
Specifications

Overall Exterior Dimensions –	
Height (Adjustable)	65-1/2" – 66-1/2"
Width	32"
Depth (to Center of Arc) (with 90° Door Open)	27-1/2" 57-3/8"
Voltage Rating	115V/60Hz/15A
Connected Load (kW Rating) @ 115 Volts†	0.62
Minimum Circuit Required (Amps)	15
Power Supply Connection Location	Right Bottom Rear
Water Inlet Location	Left Bottom Rear
Product Weight	204 Lbs.
Shipping Weight (Approx.)	224 Lbs.

†An electrical supply with grounded three-prong receptacle is required. The power supply circuit must be installed in accordance with current edition of National Electrical Code (NFPA 70) and local codes & ordinances.

NOTE: Always consult local and/or national electric codes. Refer to Product Installation Guide for detailed installation instructions on the web at www.electroluxappliances.com.

Specifications subject to change.



17 Cu. Ft. Upright Freezer Specifications

- Product Weight – 204 Lbs.
- An electrical supply with grounded three-prong receptacle is required. The power supply circuit must be installed in accordance with current edition of National Electrical Code (NFPA 70) and local codes & ordinances.
- Voltage Rating – 115V/60Hz/15 Amps
- Connected Load (kW Rating) @ 115 Volts = 0.62kW
- Amps @ 115 Volts = 5 Amps
- Always consult local and/or national electric & plumbing codes.
- Water line can enter opening through floor or rear wall. Copper tubing recommended between cold water line and water connection location. Water line tubing recommended is 48" minimum length by 1/4" diameter. Installation of easily accessible shutoff valve in water line required.
- Minimum airspace of 3/8" required on each side, with 1" at back and top to allow for proper airflow.

- When installing next to wall where handle may make contact, allow 4" minimum clearance for 90° door swing. At 90° door stop position, basket access will be maintained but removal will be restricted.
- Locate where surrounding air temperature will not exceed 110°F, to ensure optimum performance. (Temperatures 32°F and below will NOT affect operation.)
- All bottom corners of unit MUST rest firmly on solid level surface of hard material, same height as flooring. Surface must be strong and stable enough to support unit when fully loaded.
- Equipped with 4-point leveling to ensure unit is level, which is required in order to function properly.

Note: For planning purposes only. Refer to Product Installation Guide on the web at electroluxappliances.com for detailed instructions.