

Central Fireplace

*The most efficient direct vent
gas fireplace line.*

Beauty, warmth and elegance.



CF-42 ♦ CF-42 Bayfront ♦ CF-3036 ♦ CF-3036 MV ♦ Belmont ♦ CF-22 DVI ♦ CF-32 Series

CF-42

Direct Positive Vent Gas Freestanding Stove



Input Rating (max)

Natural Gas: 43,000 Btu/hr
Propane: 43,000 Btu/hr

Output Rating (min)

Natural Gas: 12,000 Btu/hr
Propane: 12,500 Btu/hr

Efficiency

Up to 92% AFUE

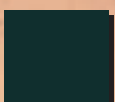
Dimensions

Height: 31-5/8"
Width: 28-1/2"
Depth: 19-1/8"

Venting Capabilities

Maximum Venting: up to 60 feet combined horizontal and vertical

Choice of Color:



Metallic Black



Gray-Iron Blue



Golden Fire Brown



Sage Green

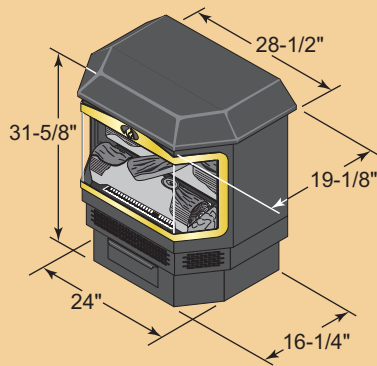
Central Fireplace is dedicated to manufacturing the most efficient and safest gas fireplace line.

The design incorporates pilotless automatic ignition and eliminates the need for a standing pilot light. The fan-forced exhaust allows for venting in any direction, including downward, and ensures that exhaust gases are delivered outside - where they belong. These features, along with an efficiency of up to 92%, make our CF-42 unmatched with any other gas stove in the industry.

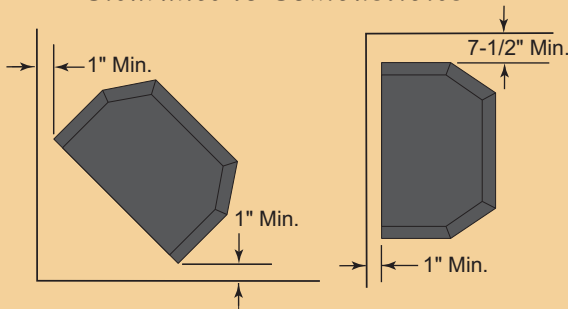


Fireplace Specifications

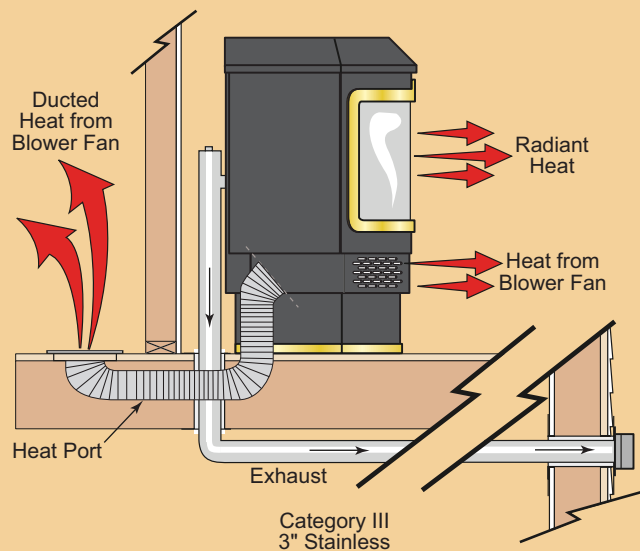
Dimensions



Clearance to Combustibles



Down and Out Termination



Standard Features

- Ultra High Efficiency
- Pilotless Automatic Ignition
- Direct Positive Vent - Fan-Forced Exhaust
- Wide Adjustable Btu Range
- Back Flame Shut Off
- Sealed Combustion Chamber
- 12,000 Btu on Lowest Setting
- Heavy Gauge Steel Construction
- Tru-Flame™ Burner Technology
- SmartValve® Gas Control
- Realistic 5-Piece Ceramic Log Set with Embers
- Automatic 2-speed, 450 CFM Fan
- 180-Degree Viewing Area
- Ceramic Glass
- Built-In Heat Port (transfers heat to other rooms)
- Tested and Approved for use in Manufactured and Mobile Homes
- Hearth Pad Not Required

Optional Features

- 24 Karat Gold (pictured above), Brushed Nickel (pictured left), Brushed Copper, Antique Gold or Black Onyx Glass Trim
- 24 Karat Gold (pictured above), Brushed Nickel (pictured left), Brushed Copper, Antique Gold or Black Onyx Base Trim
- 24-Volt Wall Thermostat
- Comfort-tech™ Thermostatic Remote Control
- Trim Styles: Logo (pictured left), Plain (pictured above). See Your Dealer for More Trim Options.

Belmont[®]

Direct Vent Gas Freestanding Stove



Input Rating (max)

Natural Gas: 42,000 Btu/hr
Propane: 42,000 Btu/hr

Output Rating (min)

Natural Gas: 7,500 Btu/hr
Propane: 8,000 Btu/hr

Efficiency

Up to 87% AFUE

Dimensions

Height: 31"
Width: 28"
Depth: 18"

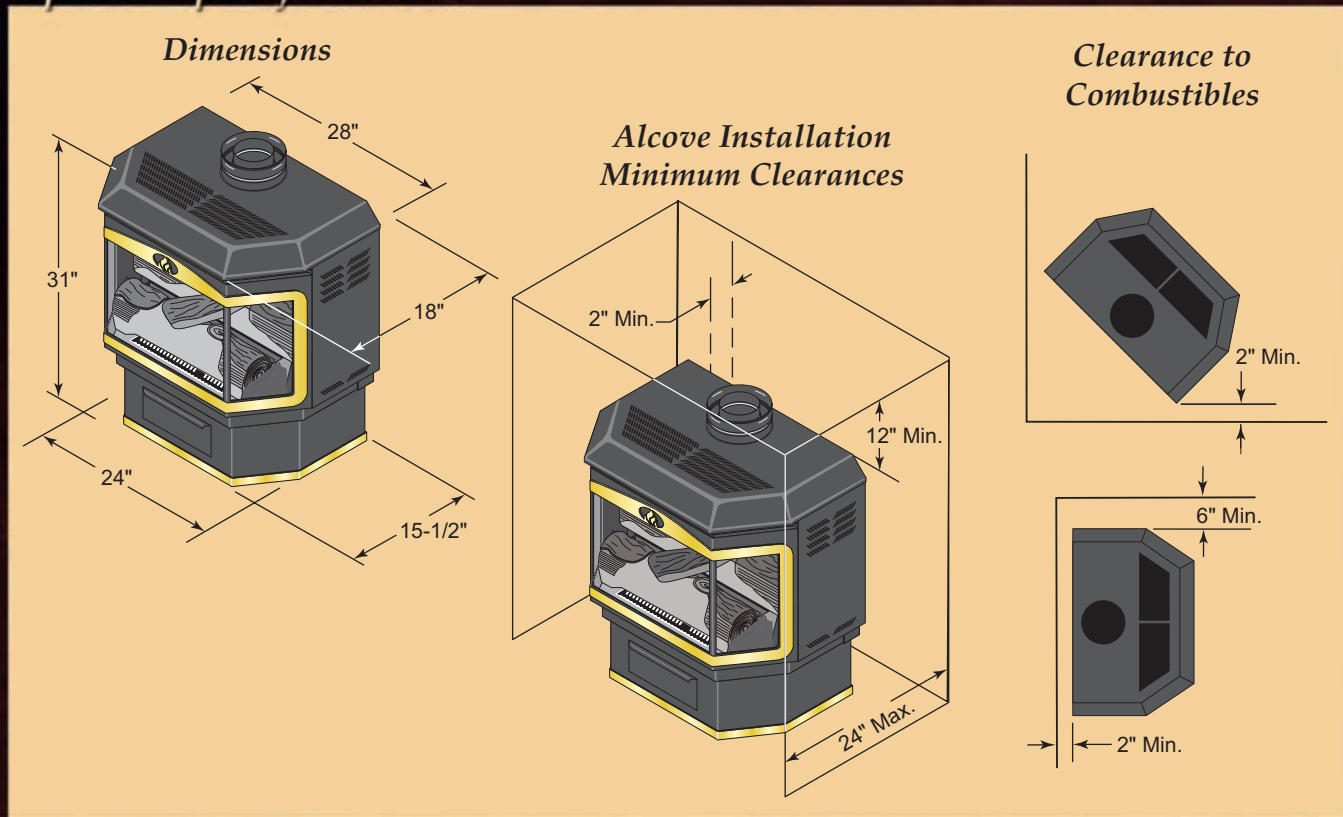
Venting Capabilities

Minimum Venting: 24 inches vertically
Maximum Venting: 42 feet combined
horizontal and vertical

Reassurance is what you get with the Belmont gas stove. The ability to operate with or without electricity makes the Belmont an excellent backup heat source - even in the event of a power outage. The Belmont's wide adjustable Btu range and back flame shut-off give you the opportunity to enjoy your stove when you don't need the full heating capacity.



Fireplace Specifications



Standard Features

- High Efficiency
- Operates with or without Electricity
- Back Flame Shut Off
- Wide Adjustable Btu Range
- 7,500 Btu on Lowest Setting
- Direct Vent
- Sealed Combustion Chamber
- 180-Degree Viewing Area
- Hearth Pad Not Required
- Heavy Gauge Steel Construction
- Tru-Flame™ Burner Technology
- Realistic 5-Piece Ceramic Log Set with Embers
- Ceramic Glass
- Adaptable to Masonry Chimney
- Tested and Approved for use in Manufactured and Mobile Homes

Optional Features

- 24 Karat Gold (pictured left), Brushed Nickel (pictured above), Brushed Copper, Antique Gold or Black Onyx Glass Trim
- 24 Karat Gold (pictured left), Brushed Nickel (pictured above), Brushed Copper, Antique Gold or Black Onyx Base Trim
- 185 CFM Blower Fan
- Millivolt Wall Thermostat
- Comfort-tech™ Thermostatic Remote Control
- Trim Styles: Antique (pictured left), Lattice (pictured above). See Your Dealer for More Trim Options.

CF-3036

Direct Positive Vent Gas Fireplace



Input Rating (max)

Natural Gas: 32,000 Btu/hr
Propane: 33,000 Btu/hr

Output Rating (min)

Natural Gas: 9,500 Btu/hr
Propane: 10,500 Btu/hr

Efficiency

Up to 92% AFUE

Dimensions

Height: 29-1/4"
Width: 36"
Depth: 15-1/4"
Fascia: 31" H x 38" W

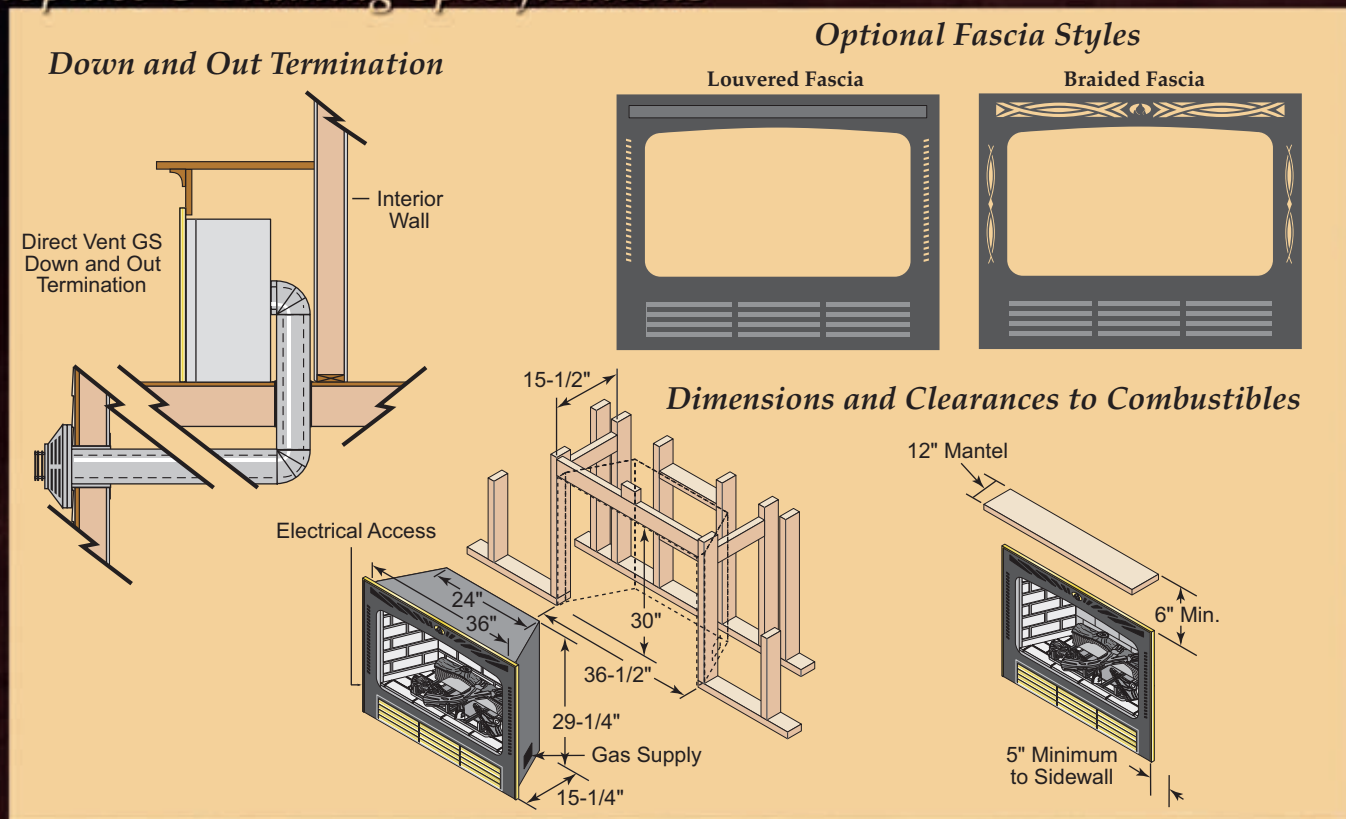
Venting Capabilities

Maximum Venting: Up to 80 feet combined horizontal and vertical

The design of the CF-3036 incorporates pilotless automatic ignition and eliminates the need for a standing pilot light. The fan-forced exhaust allows for venting in any direction, including downward, and ensures that exhaust gases are delivered outside - where they belong. These features, along with an efficiency of up to 92%, make our CF-3036 unmatched with any other gas fireplace in the industry.



Fireplace & Framing Specifications



Standard Features

- Ultra High Efficiency
- Pilotless Automatic Ignition
- Direct Positive Vent - Fan-Forced Exhaust
- Wide Adjustable Btu Range
- 9,500 Btu on Lowest Setting
- Sealed Combustion Chamber
- Ceramic Glass
- SmartValve® Gas Control
- Cast Iron Burner with Tru-Flame™ Burner Technology
- 185 CFM Blower Fan with Adjustable Speed
- Heavy-Gauge Steel Construction
- Realistic 5-Piece Ceramic Log Set with Embers
- Brick Pattern on Firebox
- Tested and Approved for use in Manufactured and Mobile Homes
- Gold Inside Window Trim on Fascia

Optional Features

- Gold (pictured) or Brushed Nickel Finishing Trim
- Gold Louvers (pictured)
- Heat Ducting Kit - Transfers heat to another room
- 24-Volt Wall Thermostat
- Comfort-tech™ Thermostatic Remote Control
- Fascia Styles: Arched (pictured), Louvered, Braided

CF-3036 MV

Direct Vent Gas Fireplace



Input Rating (max)

Natural Gas: 32,000 Btu/hr
Propane: 32,000 Btu/hr

Output Rating (min)

Natural Gas: 13,500 Btu/hr
Propane: 12,000 Btu/hr

Efficiency

Up to 88% AFUE

Dimensions

Height: 29-1/4" (rear vent)
Height: 30" (top vent)
Width: 36"
Depth: 15-1/4"
Fascia: 31" H x 38" W

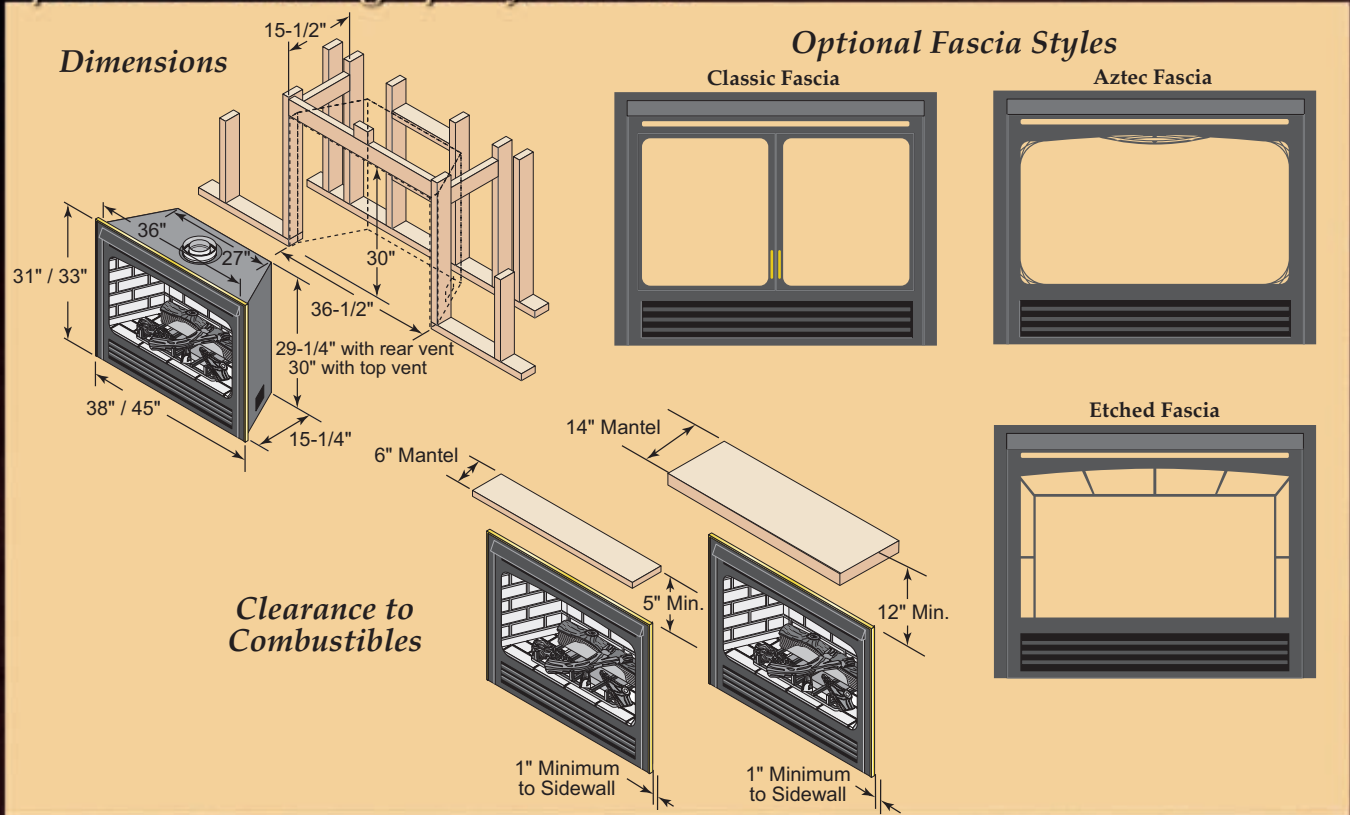
Venting Capabilities

Maximum Venting: 40 feet combined horizontal and vertical, with up to three 90-degree elbows

This highly efficient gas fireplace gives you multiple venting possibilities with the easily convertible top-to-rear venting feature. The ability to operate with or without electricity means you can count on the CF-3036 MV when you need it most.



Fireplace & Framing Specifications



Standard Features

- High Efficiency
- Operates with or without Electricity
- Wide Adjustable Btu Range
- 12,000 Btu on Lowest Setting
- Sealed Combustion Chamber
- Direct Vent
- Convertible from Top to Rear Vent
- Multiple Venting Possibilities
- Cast Iron Burner with Tru-Flame™ Burner Technology

- Heavy-Gauge Steel Construction
- Realistic 5-Piece Ceramic Log Set with Embers
- Ceramic Glass
- Tested and Approved for use in Manufactured and Mobile Homes
- Gold Inside Window Trim on Fascia

Optional Features

- Gold (pictured) or Brushed Nickel Finishing Trim
- Gold Louvers (pictured)
- 150 CFM Blower Fan with Adjustable Speed
- Black Hearth and Firebox (pictured left)
- Millivolt Wall Thermostat
- Comfort-tech™ Thermostatic Remote Control
- Fascia Styles: Traditional (pictured), Classic, Aztec, Etched (oversized available in all styles)

CF-42

Direct Positive Vent Bayfront Gas Insert/Fireplace



Input Rating (max)

Natural Gas: 43,000 Btu/hr
Propane: 43,000 Btu/hr

Output Rating (min)

Natural Gas: 12,000 Btu/hr
Propane: 12,500 Btu/hr

Efficiency

Up to 92% AFUE

Dimensions

Height: 22-1/4"
Width: 30"
Depth: 8-3/4"

Venting Capabilities

Maximum Venting: Up to 60 feet combined horizontal and vertical

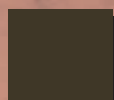
Choice of Color:



Metallic Black



Gray-Iron Blue



Golden Fire Brown

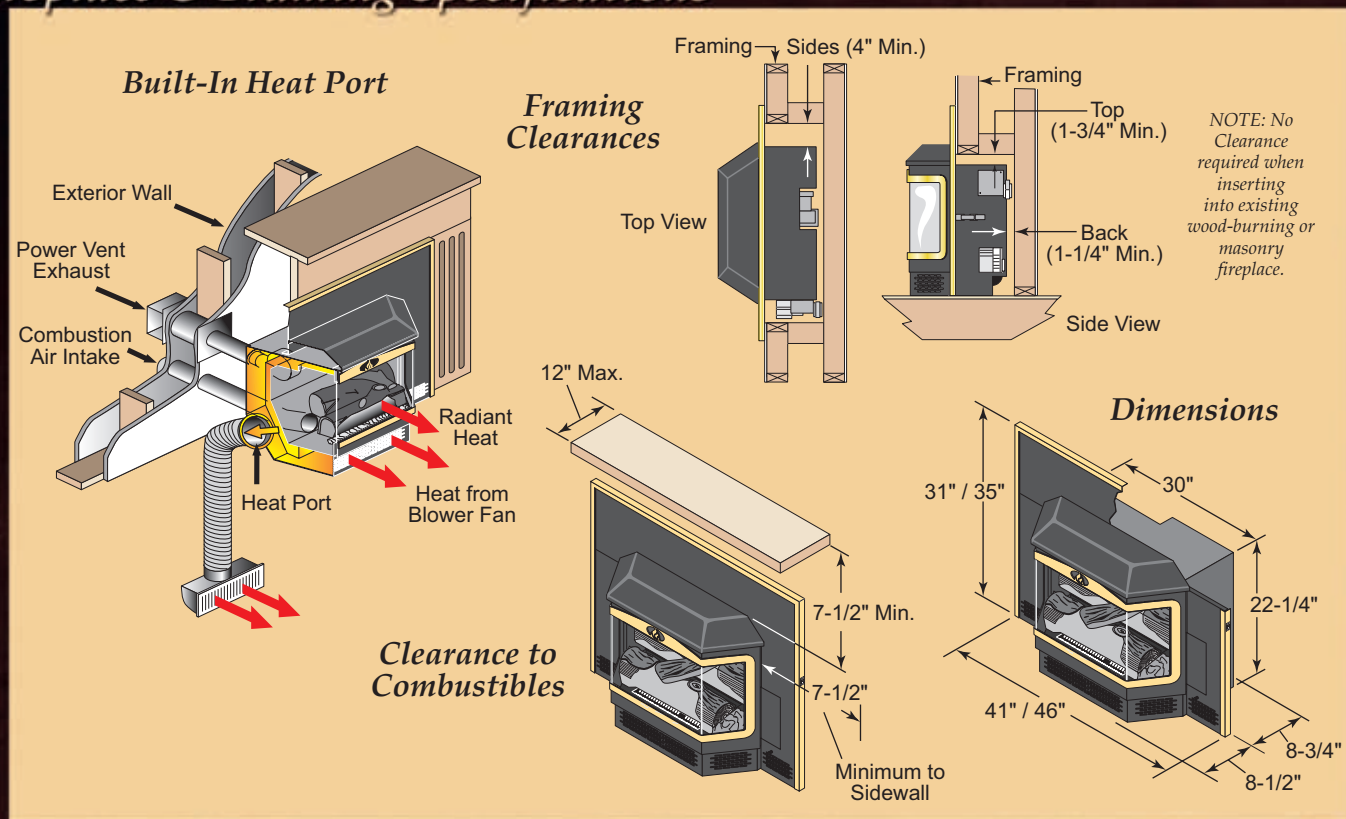


Sage Green

Like our CF-42 Freestanding Stove, the design of our CF-42 Bayfront Insert or Fireplace incorporates pilotless automatic ignition and eliminates the need for a standing pilot light. The fan-forced exhaust allows for venting in any direction, including downward, and ensures that exhaust gases are delivered outside - where they belong. These features, along with an efficiency of up to 92%, make our CF-42 unmatched with any other gas fireplace or insert in the industry.



Fireplace & Framing Specifications



Standard Features

- Ultra High Efficiency
- Pilotless Automatic Ignition
- Direct Positive Vent - Fan-Forced Exhaust
- Wide Adjustable Btu Range
- 12,000 Btu on Lowest Setting
- Back Flame Shut-Off
- Sealed Combustion Chamber
- Heavy-Gauge Steel Construction
- Tru-Flame™ Burner Technology
- Smart Valve® Gas Control
- Realistic 5-Piece Ceramic Log Set with Embers
- Automatic 2-Speed, 450 CFM Fan
- Ceramic Glass with 180-Degree Viewing Area
- Built-In Heat Port - Transfers heat to another room
- Tested and Approved for use in Manufactured and Mobile Homes

Optional Features

- 24 Karat Gold (pictured), Brushed Nickel, Brushed Copper, Antique Gold or Black Onyx Door Trim
- Gold (pictured) or Brushed Nickel Surround Trim
- 24-Volt Wall Thermostat
- Comfort-tech™ Thermostatic Remote Control
- Oversized Surround

CF-22 DVI

Direct Vent Gas Insert



Input Rating (max)

Natural Gas: 31,000 Btu/hr
Propane: 31,000 Btu/hr

Output Rating (min)

Natural Gas: 14,000 Btu/hr
Propane: 12,500 Btu/hr

Efficiency

Up to 88% AFUE

Dimensions

Height: 20-1/8"
Width: 30"
Depth: 13-3/4"

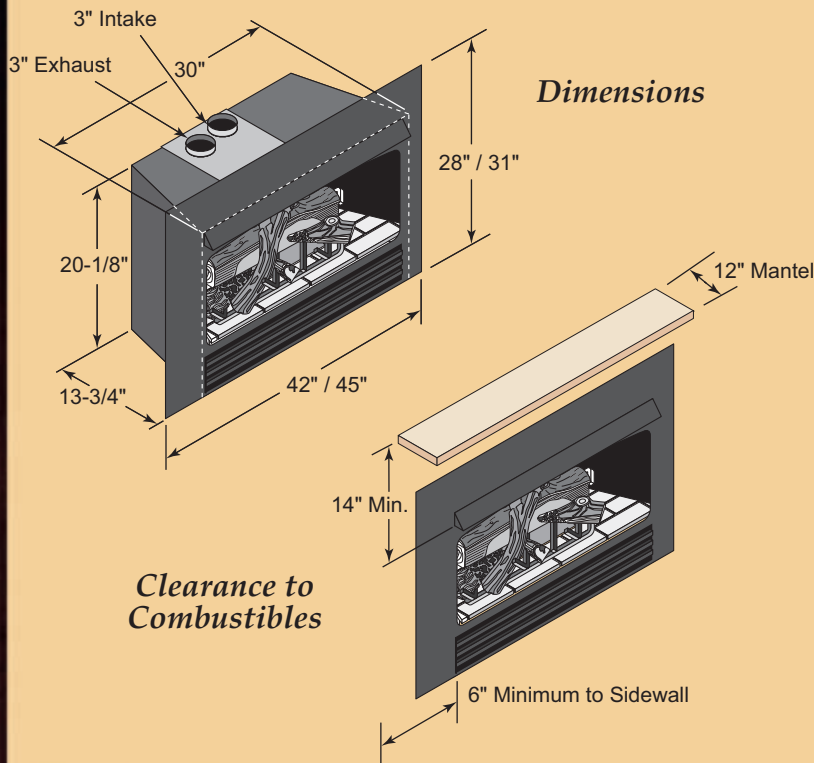
Venting Capabilities

Minimum Venting: 6 feet vertically
Maximum Venting: 35 feet vertically

With or without electricity, you can enjoy the warmth and comfort of the CF-22 DVI. This highly efficient direct vent gas insert was designed to fit most existing masonry or wood-burning fireplaces. You'll enjoy its beauty and warmth, even in a power outage.



Fireplace Specifications

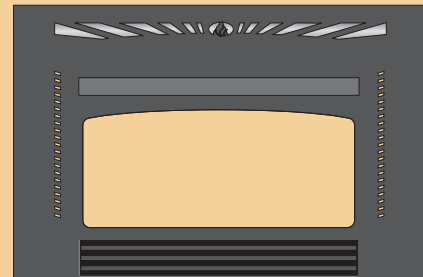


Optional Fascia Styles

Traditional Fascia



Arched Fascia



Standard Features

- High Efficiency
- Operates with or without Electricity
- Wide Adjustable Btu Range
- 12,500 Btu on Lowest Setting
- Direct Vent
- Adjustable 150 CFM Blower Fan
- Adjustable Flame
- Heavy-Gauge Steel Construction
- Cast Iron Burner with Tru-Flame™ Burner Technology
- Realistic 5-Piece Ceramic Log Set with Embers
- Sealed Combustion Chamber
- Ceramic Glass
- For use in Wood-Burning or Masonry Fireplaces
- Tested and Approved for use in Manufactured and Mobile Homes

Optional Features

- Gold Glass Trim (pictured left)
- Gold (pictured left) or Brushed Nickel Surround Trim
- Gold or Brushed Nickel for Arch
- Gold Louvers
- Millivolt Wall Thermostat
- Comfort-tech™ Thermostatic Remote Control
- Fascia Styles: Traditional (pictured left) or Arched (oversized available in both styles), or Tri-Tech (pictured above) available in 6 colors

CF-32

Series Direct Vent Freestanding Gas Stove



Vermillion®

Input Rating (max)

Natural Gas: 32,000 Btu/hr
Propane: 34,000 Btu/hr

Output Rating (min)

Natural Gas: 15,500 Btu/hr
Propane: 15,500 Btu/hr

Efficiency

Up to 88% AFUE

Dimensions

Height: 31"
Width: 24"
Depth: 18"

Venting Capabilities

Minimum Venting: 3 feet vertically
Maximum Venting: 41 feet of combined vertical and horizontal, with up to five 90-degree elbows

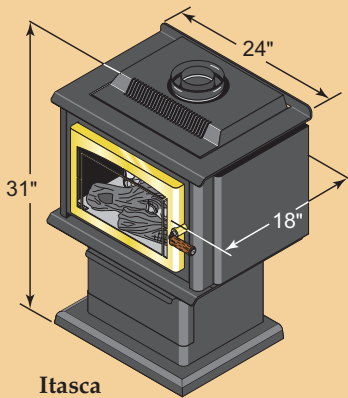
With or without electricity, you can enjoy the warmth and comfort of either stove from the CF-32 series. Both are extremely versatile and can be adapted to an existing masonry chimney. These highly efficient direct vent gas freestanding stoves will provide you with warmth and ambience, even in a power outage.



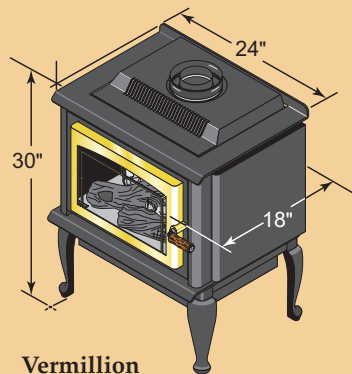
Itasca

Fireplace Specifications

Dimensions

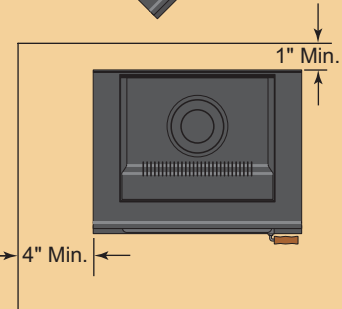
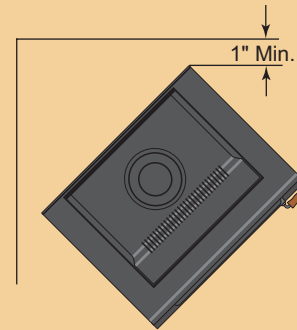


Itasca



Vermillion

Clearance to Combustibles



Standard Features

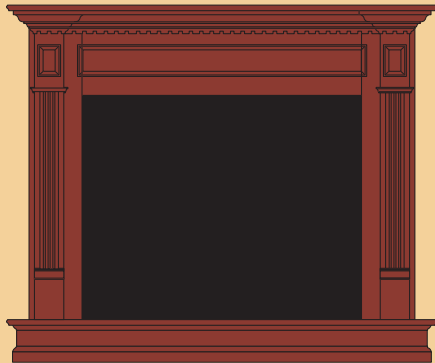
- High Efficiency
- Operates with or without Electricity
- Wide Adjustable Btu Range
- 15,500 Btu on Lowest Setting
- Direct Vent
- Adjustable Flame
- Heavy-Gauge Steel Construction
- Hearth Pad Not Required
- Tru-Flame™ Burner Technology
- Realistic 5-Piece Ceramic Log Set with Embers
- Sealed Combustion Chamber
- Ceramic Glass
- Adaptable to Masonry Chimney
- Tested and Approved for use in Manufactured and Mobile Homes
- Cast Iron Burner with Tru-Flame™ Burner Technology

Optional Features

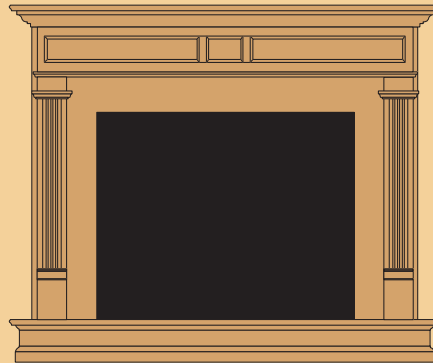
- 24 Karat Gold (pictured left), Brushed Nickel (pictured above) or Black Door
- 150 CFM Variable Speed Blower Fan
- Millivolt Wall Thermostat
- Comfort-tech™ Thermostatic Remote Control

Mantels and More

Complement your fireplace with one of Central Fireplace's hand-crafted mantels. Choose from a corner cabinet or room-saver cabinet mantel in St. Andrews or Bordeaux designs. Both mantels are available in four types of wood: Cherry, Maple, Birch or Oak. Accent your mantel with one of our three finishes: Natural, Fruitwood or Cherry. Or choose to order your mantel unfinished to create your own look.



St. Andrews Mantel and Base



Bordeaux Mantel and Base

Mantel Dimensions

Corner	Corner Base	Cabinet	Room Saver Cabinet	Cabinet Base
Height: 45-1/4"	Height: 6"	Height: 44-1/2"	Height: 44-1/2"	Height: 6"
Width: 63-9/16"	Width: 63-3/8"	Width: 61-1/2"	Width: 61-1/2"	Width: 61-1/2"
Depth: 34-3/16"	Depth: 24-5/8"	Depth: 15-1/4"	Depth: 10-1/2"	Depth: 19-1/4" or 21-1/4" or 25-3/4"

The St. Andrews Cabinet Mantel and Base shown on page 6 in Oak wood with Fruitwood finish. The St. Andrews Cabinet Mantel and Base shown on page 7 in Cherry wood with Cherry finish. The Versailles Cabinet Mantel and Base shown on page 8 in Oak wood with Fruitwood finish is a custom-built mantel (call for specifications). The Venice Mantel and Base shown on page 11 in Oak wood with Natural finish.



800-248-4681

218-782-2575

centralfireplace.com

All fireplaces, stoves and inserts featured in this brochure were tested to: ANSI Z21.88b-2000 and 2003; approved for use in manufactured homes in accordance with UL307B. The Belmont, CF-32 Series and CF-42 Freestanding are alcove approved. All models are bedroom approved in the U.S.

Printed in U.S.A.
©2008 Central Fireplace
®™ Trademarks of Central Fireplace
Central Fireplace is located in Greenbush, MN USA

Your Central Fireplace Dealer: