



Beijing Palm International Group Ltd.

TEL:0086 10 87744635/64168397-208

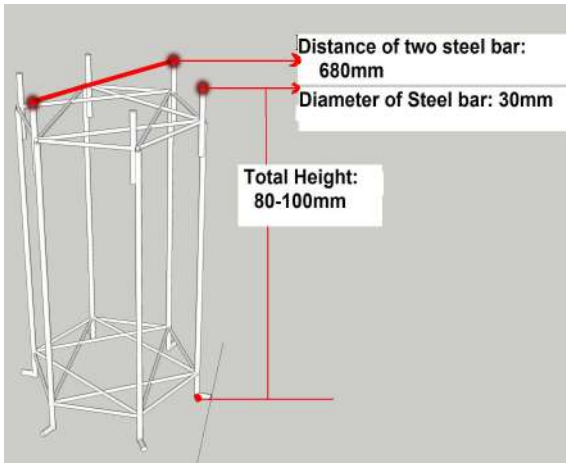

Fax: 86-010-51352966


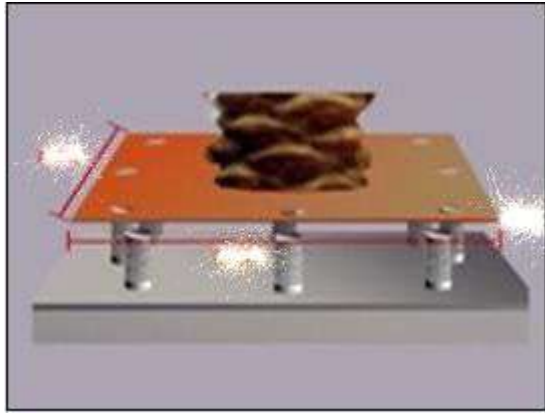
Website: <http://www.chinapalmtree.cn>, or <http://www.zonglvshu.com>.

E-mail: mikelu@beijingpalmtree.com

Installation of the Outdoor Palm Tree

1. Installation steps:

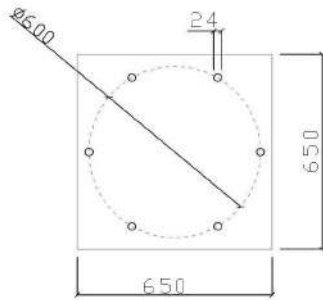
1.	Dig out a foundation <u>hole</u> on the ground--the hole's size is: <u>1.0x1.0x1.0m</u> (Height)
2.	<p>1) the Metal Frame with 6 steel bar(1m high* 0.8m*0.8m) :</p>  <p>Distance of two steel bar: 680mm Diameter of Steel bar: 30mm Total Height: 80-100mm</p> <p>2) Put it in the hole:</p> 

<p>3.</p>	<p>1).The cement level is 8-10cm lower than the ground level.</p> <p>2).The screws (top of the metal frame) are 6cm higher than the cement level.</p> 
<p>4.</p>	<p>Waiting the cement dry(3 days in summer,7 days in winter).</p>
<p>5.</p>	<p>Install the trunk.Straighten the trunk; connect the steel plate (in the bottom of the trunk) with the screws (top of the metal frame).Twist the screwed cap on the screws tightly.</p> 
<p>6.</p>	<p>Insert the leaves into the steel pipes which in the palm's head.Be sure to install them from palm head's top level to the bottom level.(Pls make the leaves a little bent before install)</p>

2.Installation pictures



**Metal Base Plate
from Beijing Palm**



钢板平面尺寸图(单位: mm)

**Metal Frame's drawing
from Beijing Palm**

