

# Beijing Palm International Group Ltd.,

ADD:NORTH OF INTRENATIONAL GOLF CLUB ,CBD,  
CHAOYANG DISTRICT,BEIJING,CHINA

TEL:86-10-64168397/8401 1200 FAX:86-10-5135 2966

## (One)Products:

Name:Preserved Washingtonia Palm Tree

Material:(1)Preserved barks wrapped trunk(straight)

(2)Preserved washingtonia frond(dark green color)

Specification:26pc 6m(total height) tree

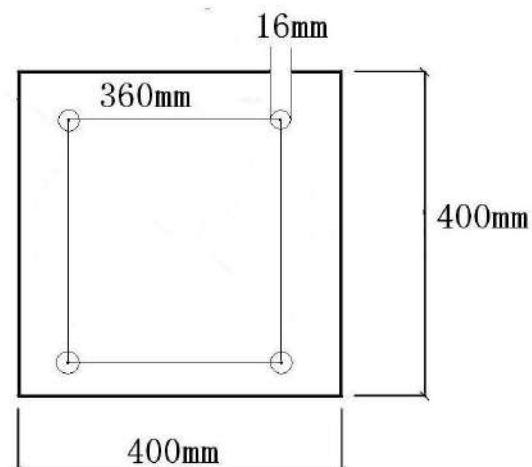


## (Two)Steel plate in bottom of the trunk:



**Metal Base Plate's size  
from Beijing Palm**

Screw's diameter:14mm



### (Three) Fixing into pots

#### **Step One: Install the trunk**

- (1) Connected metal frame inside pot (customer supply metal frame this time)
- (2) Put the trunk on the metal frame straightly.
- (3) Connect metal frame (inside pot) and steel plate (in bottom of trunk) together with four screws.
- (4) Twist the screwed cap on the screws tightly.

#### **Step Two: Install the palm's head**

There is a steel pipe in the bottom of the palm's head. And a steel pipe inside the trunk. So please connect these two pipes tightly.

#### **Step Three: Install the Leaves**

Firstly, there is a steel plate in the bottom of the leaves. Please insert this part into the hole in the palm's head.

Secondly, insert the leaves on the top row tightly.

Thirdly, please cover the top row with the palm's fiber.

Lastly, insert the leave on the second row, then covered with palm's fiber. And the other rows should be fixing same as this.

