

Model: AV-1100



Features: -

Voltage: 12V 1A

Screen: 4.3" Capacitive Touch Screen

Running Memory: 1G DDR3

Storage:4GB

Working Voltage: DC12V 1A

Face Capacity: 2,000

RFID Card Capacity: 2,000

Password Capacity: 2,000

Record: 5,00,000

Communication Method: TCP/IP, USB Driver

Working Temperature: -10°C~+65°C

Working Humidity: 20%~90%

Night: LED Soft Light Automatic Fill Light

FRR:<0.1%

FAR:<0.0001%

Comparison mode: 1:1 1:N

Identification style : Visible Light Facial Recognition, PIN, face & PIN combination

Dimension: 187.5*87.5*26mm (L*W*H)

New Weight : 0.35KG

A V Techno Soft India Pvt. Ltd.

Email : info@avtechnosoftindia.com

www.avtechnosoftindia.com

Three ways of access

Dynamic face / Swipe card / Password

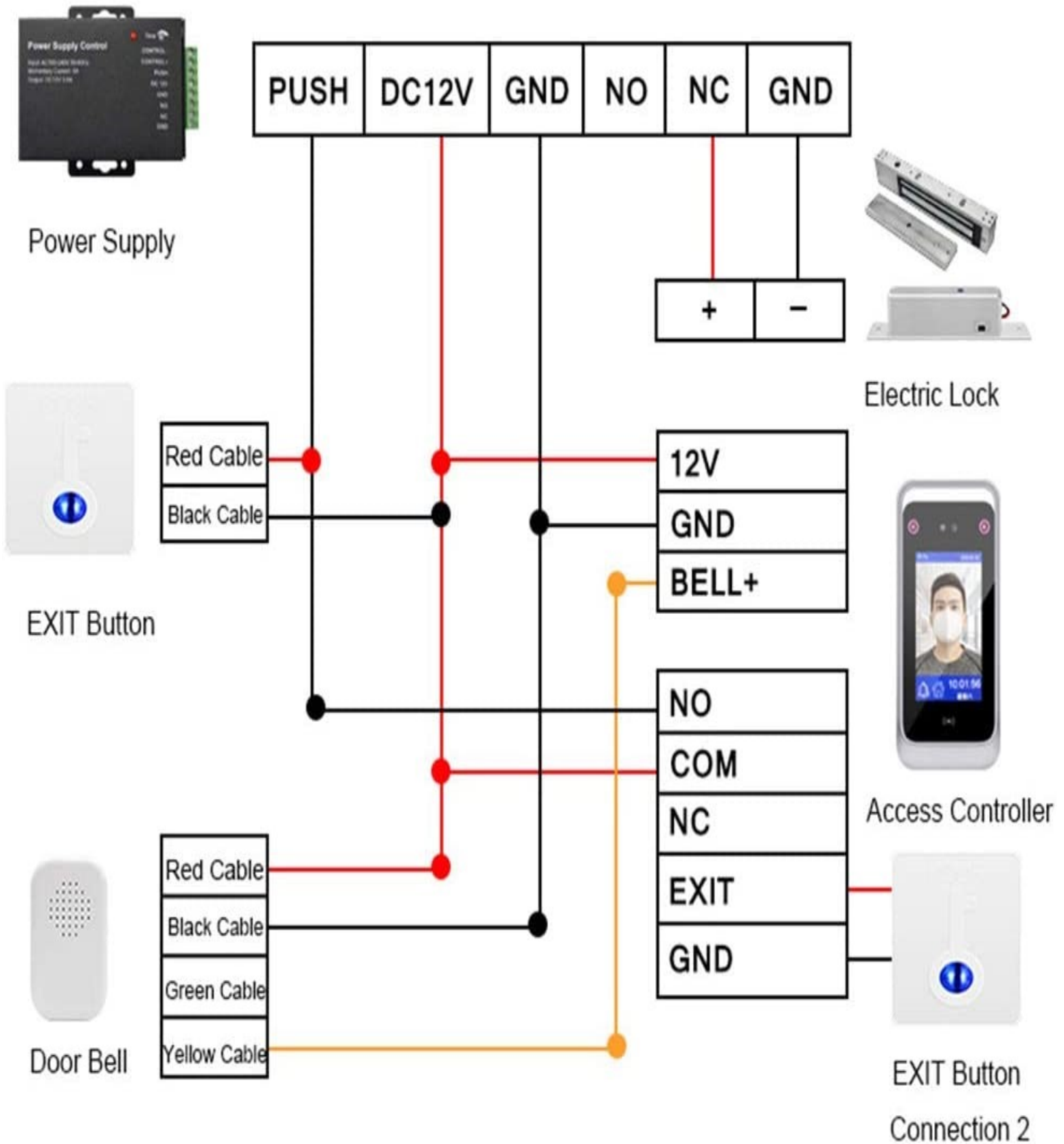


Recognition speed ≤ 0.02 s

A V Techno Soft India Pvt. Ltd.

Email : info@avtechnosoftindia.com

www.avtechnosoftindia.com



A V Techno Soft India Pvt. Ltd.

Email : info@avtechnosoftindia.com

www.avtechnosoftindia.com