



MOBILE STAND

AVOCOR MOBILE STAND



OVERVIEW

The Avocor Mobile Stand perfectly complements your Avocor display experience to create a stunning yet flexible solution that enhances every meeting space or classroom.

This stylish stand supports display sizes up to 105 inches and supports a maximum weight of 100kg (220.5lbs) and is available in a beautiful metallic gray finish.



SOLUTION

Highlights



Supports a Range of Display

Up to 105 inches, the Avocor Mobile Stand supports a range of display sizes, offering you a flexible option that is future-proofed.



Up to 220.46 pounds Load Bearing

The Avocor Mobile Stand has a maximum weight capability of 100Kg (220.5 lbs).



Manual Height Adjustment

Simple to set up, the Stand features manual height adjustment options.



Storage Tray

Includes a handy shelf which is perfect for storing small items like remotes or stylus pens.



Lockable Wheels

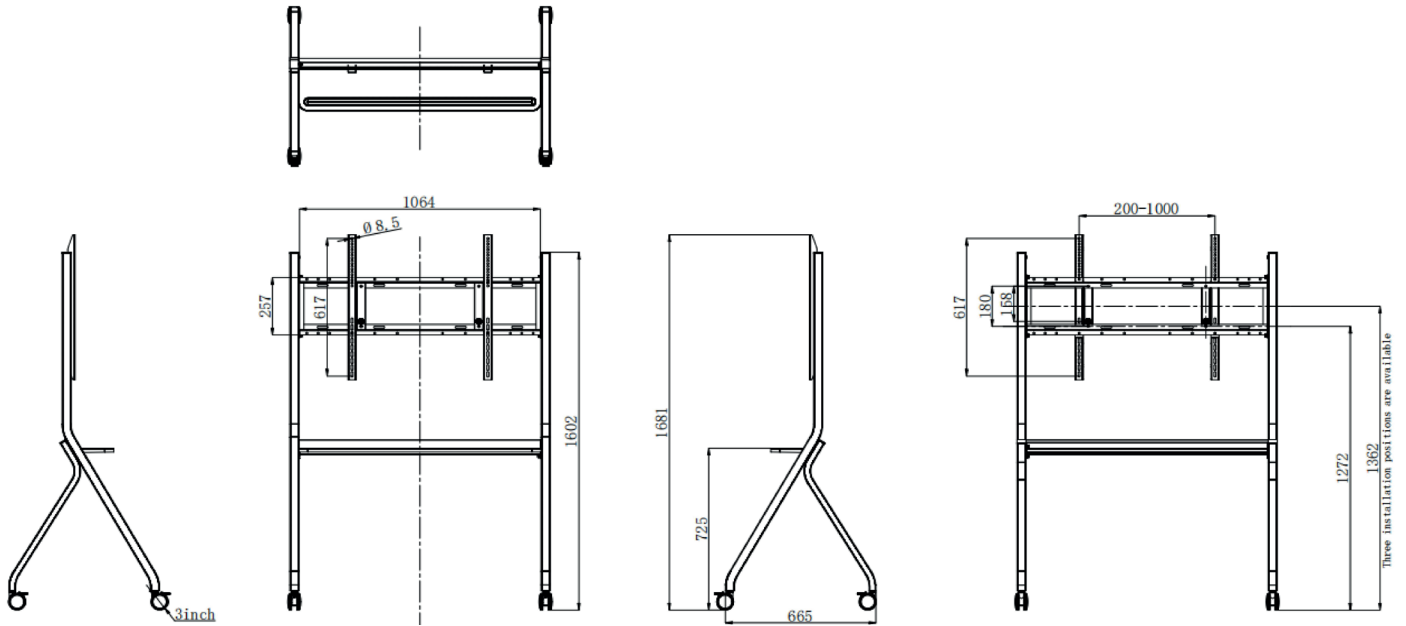
Features 360-degree wheels which are fully lockable, securely holding your display in place.



Compatible with Wide Range of Brands

Features a VESA pattern up to 1000 x 600 mm making it compatible with a large variety of display brand models.

Dimensions:



Specifications

Part Number: AVC-STND1	
Maximum Load	100 kg / 220.46 lbs
VESA	Up to 1000 × 600 mm
Screen size	Up to 105 inches
Casters Dimension	3 inch
Color	Gray (bracket), Black (wall mount)
Overall Dimension	1150 × 665 × 1681 mm = 45.28 × 26.18 × 66.18 inches
Package Dimension	1630 × 755 × 160 mm = 64.17 × 29.72 × 6.30 inches
Net Weight	17.7 kg = 39.02 lb
Gross Weight	21.6 kg = 47.62 lbs
Accessories and Documents	
User Manual	Yes

CE FC RoHS

Copyright Avocor 2024. All other trademarks and trade names are the property of their respective owners. This document is for illustrative and informative purposes only. Product appearance, features and specification are subject to change. Details are subject to change without notice. All logos and trademarks acknowledged. E&OE.

avocor