



iPad Pro 11-inch Wi-Fi

iPad Pro 11-inch Wi-Fi + Cellular

iPad Pro 11-inch (2nd generation) Wi-Fi

iPad Pro 11-inch (2nd generation) Wi-Fi + Cellular

iPad Pro 11-inch (3rd generation) Wi-Fi

iPad Pro 11-inch (3rd generation) Cellular mmW

iPad Pro 11-inch (3rd generation) Cellular 5G

Apple Recycler Guide

July 2023

Contents

3	About This Guide
4	Identification
5	Directive 2012/19/EU Annex VII Components
6	Safety Considerations
9	Recommended Tools
10	Disassembly Instructions
32	Material Categorization of Output Fractions

About This Guide

Apple Recycler Guides provide guidance for electronics recyclers on how to disassemble products to maximize recovery of resources. The guides provide step-by-step disassembly instructions and information on the material composition to help recyclers direct fractions to the appropriate material recycler.

To conserve important resources, we work to reduce the materials we use and aim to one day source only recycled or renewable materials in our products. A key path to reaching that goal is resource recovery from end-of-life electronics.

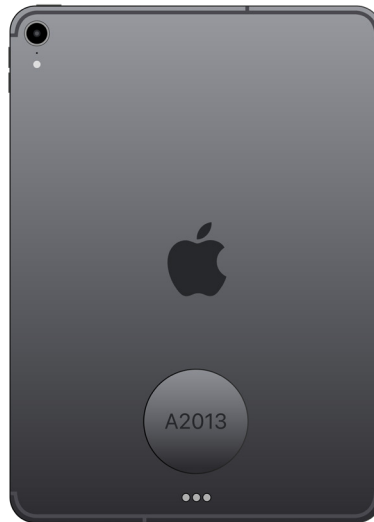
Disassembly procedures are intended to be performed only by trained electronics recycling professionals. The recycler is responsible for independently evaluating and ensuring compliance with all applicable environmental, health, and safety laws related to the work. These include but are not limited to laws relating to the management, handling, shipping, and disposal of the outputs of this work as waste and laws in place to ensure the health and safety of all employees who support this work.

For questions or feedback about this guide, email contactesci@apple.com.

Note: This guide may show images from other similar models, but the procedures are the same.

Identification

You can find the model number on the back of the iPad Pro.



Model numbers:

(Wi-Fi) A1980, A2228, A2377

(Wi-Fi + Cellular) A1934, A1979, A2013, A2068, A2230, A2301, A2331, A2459, A2469

Directive 2012/19/EU Annex VII Components

Directive 2012/19/EU Annex VII requirements apply to the following substances and components.

Substance/Component	Apple Part Name	Removal Instructions
Printed circuit board if the surface is greater than 10 square centimeters	Display logic board, main logic board	Follow steps 1–8
External electric cables	Power adapter, charge cable	Follow step 1
Battery	Lithium-ion polymer battery	Follow steps 1–6
Cover glass and liquid crystal display (LCD) cell if the surface is greater than 100 square centimeters	LCD cell	Follow steps 1–5
No further substances or components as listed in Annex VII		

Safety Considerations

The recycler is responsible for independently evaluating all activities undertaken by its employees to perform or support the work and ensuring compliance with all applicable health and safety laws related to the work. These include but are not limited to laws relating to the health and safety of all employees who perform or support this work. The recycler is also responsible for evaluating the workspace and ensuring that the area in which the work is to be undertaken is designed using ergonomic best practices and meets all ergonomic requirements to ensure the protection of its employees.

Personal Protective Equipment

Personal protective equipment should be worn during the entire recycling process.



Wear hand protection



Wear protective clothing



Wear eye protection



Wear foot protection

Battery Safety

This product uses a lithium-ion polymer battery. Before beginning any disassembly work, ensure that a safe working procedure for handling lithium-ion batteries has been established, which could include discharging the batteries so that they can be more safely managed. The following considerations may also be included:

- Remove anything from your person that could conduct energy, such as jewelry and watches, to avoid electric shock to yourself or the logic board.
- To avoid the potential for thermal runaway and the release of potentially noxious fumes, don't puncture, strike, or crush lithium-ion polymer batteries or devices powered by them.
- Don't throw, drop, or bend the battery.
- Don't expose the battery to excessive heat or sunlight.
- Don't use tools that are sharp or conduct electricity.
- Keep your workspace clear of foreign objects and sharp materials.
- Dispose of batteries according to local environmental laws and guidelines.

Workspace safety guidelines

- Use heat-resistant gloves and safety glasses.
- Keep a sand dispenser within arm's reach (2 feet or 0.6 m) on one side of the workstation, not above the workstation. The dispenser should be a wide-mouthed, quick-pour metal container with a flip-top lid or tray that contains 8–10 cups (1.9–2.4 L) of clean, dry, untreated sand.
- Keep the battery at least 2 feet (0.6 m) from paper and other combustible materials.
- Work in an area with adequate ventilation.

Handling a thermal runaway

If you notice any of the following signs, a thermal runaway is likely underway, and you should act immediately:

- The lithium-ion polymer battery or a device containing one begins to smoke or emit sparks or soot.
- The battery pouch suddenly and quickly puffs out.
- You hear hissing or popping sounds.

Don't use water or an ABC/CO₂ fire extinguisher on a thermal runaway battery or a device containing one. Water and ABC/CO₂ fire extinguishers will not stop the reaction.

Do smother the battery or device immediately with plenty of clean, dry sand, dumped all at once. Timing is critical; the faster you pour all the sand, the faster the thermal runaway will stop.

Do leave the room for 30 minutes if the thermal runaway causes any irritation.

Do wait 30 minutes before touching the battery. Wear heat-resistant gloves and safety glasses to remove the battery from the sand, or use a touchless thermometer to measure the battery temperature. Only touch the battery when the event has finished.

Do dispose of the damaged battery or device (including any debris removed from the sand) according to local environmental laws and guidelines.

LED Safety

Broken LEDs must be handled properly to ensure the safety of your employees and mitigate any hazards. Package broken LEDs in an appropriate container to properly manage the hazards associated with the materials and store only with compatible materials. All waste must be properly classified, packaged, and labeled in accordance with all relevant laws and regulations.

Hazard Warnings



Broken glass hazard



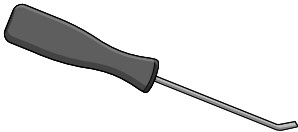
Chemical exposure hazard



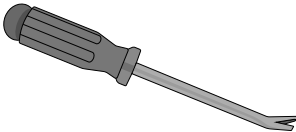
Rechargeable battery hazard

Recommended Tools

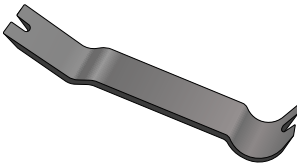
Miniature pry bar



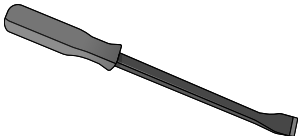
Nail-pulling screwdriver



Plastic pry bar



Screwdriver-handle pry bar



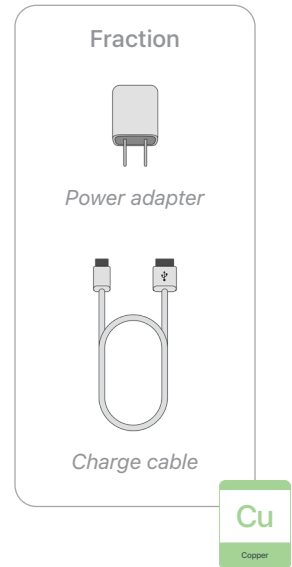
Tweezers



Disassembly Instructions

1. Remove the power adapter and charge cable.

- » *Ensure that the iPad is turned off.*
- » *Unplug the power adapter. Disconnect both ends of the charge cable.*



2. Remove the display.



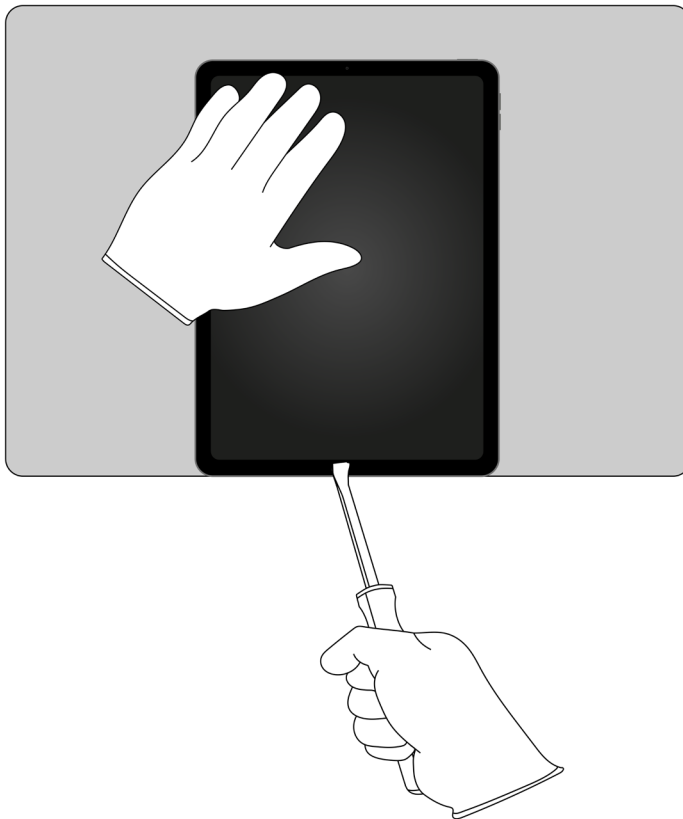
Broken glass hazard



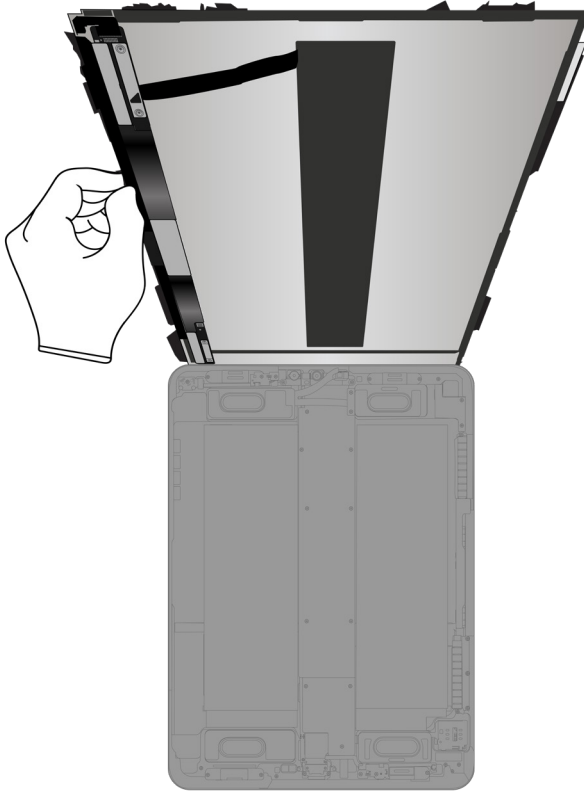
Chemical exposure hazard

- » *Hold the iPad at the edge of a counter with the display faceup.*
- » *Insert the tool tip into the bottom of the display. Push the handle down to pry the display from the enclosure.*

Tools Used



» Remove the display by hand. Set the enclosure aside.

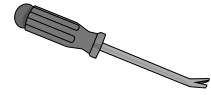


3. Remove the display logic board.

- » *Lay the display facedown.*
- » *Pry off the display logic board.*



Tools Used



Fraction



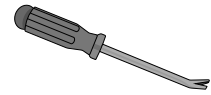
Display logic board



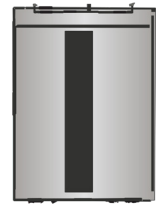
4. Pry off the display cover.



Tools Used



Fraction

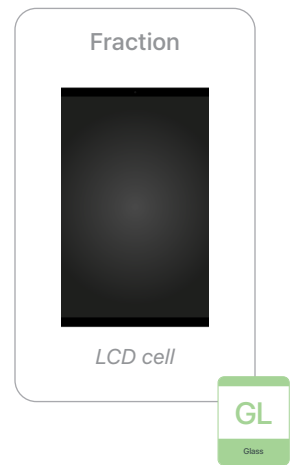
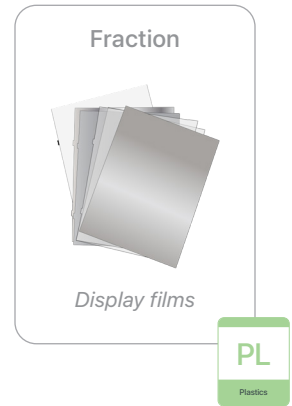
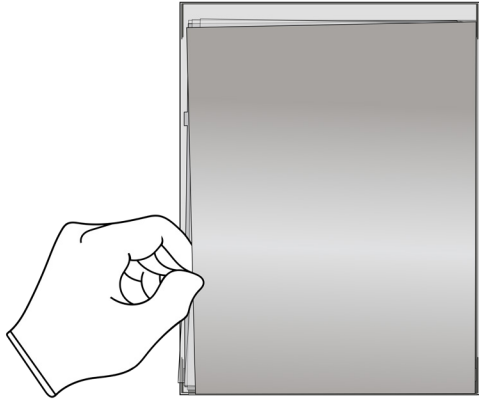


Display cover


Fe

Ferrous

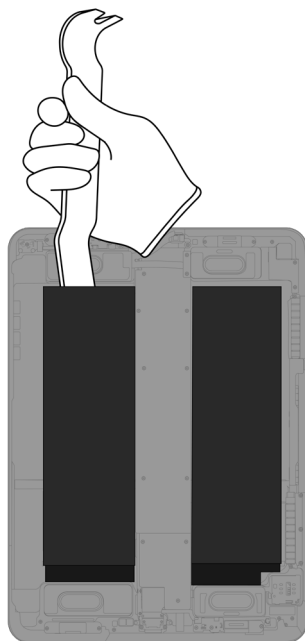
5. From the LCD cell, remove the display films.



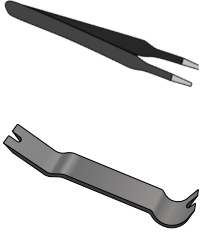
6. From the enclosure, pry off both lithium-ion polymer batteries.

 Rechargeable battery hazard

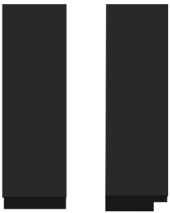
- » *Using tweezers, gently peel one of the battery adhesive tabs away from the battery.*
- » *Twist the tab around the tweezers until white adhesive appears. Continue twisting until the entire adhesive strip is removed.*
- » *Repeat this process for any remaining battery tabs. Continue with the plastic pry bar if needed.*



Tools Used

An illustration of a pair of tweezers and a curved plastic pry bar.

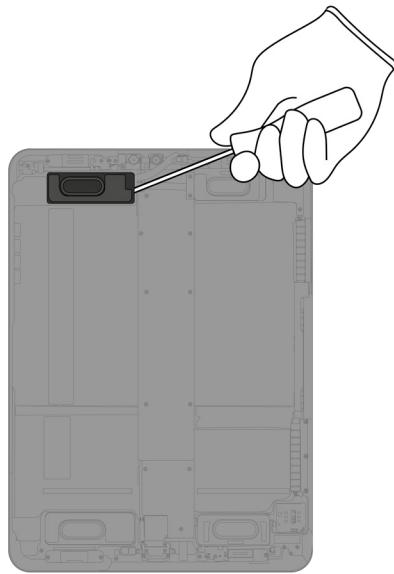
Fraction

An illustration of two black rectangular lithium-ion polymer batteries.

Lithium-ion polymer batteries



7. Pry off the upper left woofer.



Tools Used



Fraction

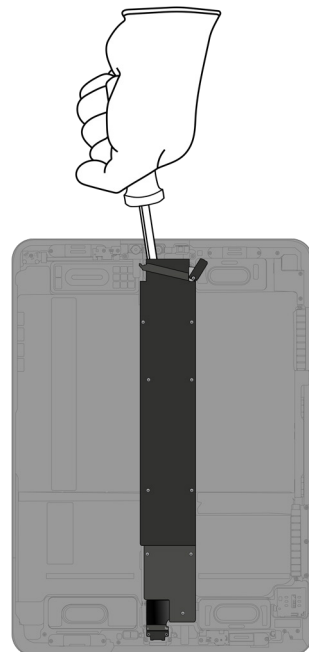


Upper left woofer

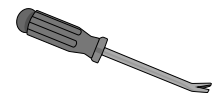
REE

Rare Earth Elements

8. Pry off the main logic board.



Tools Used



Fraction

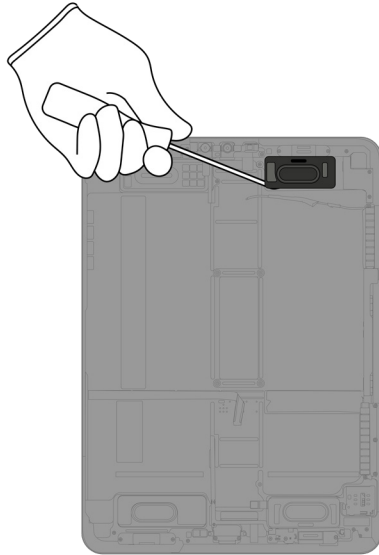


Main logic board

PMs

Precious Metals

9. Pry off the upper right woofer.



Tools Used



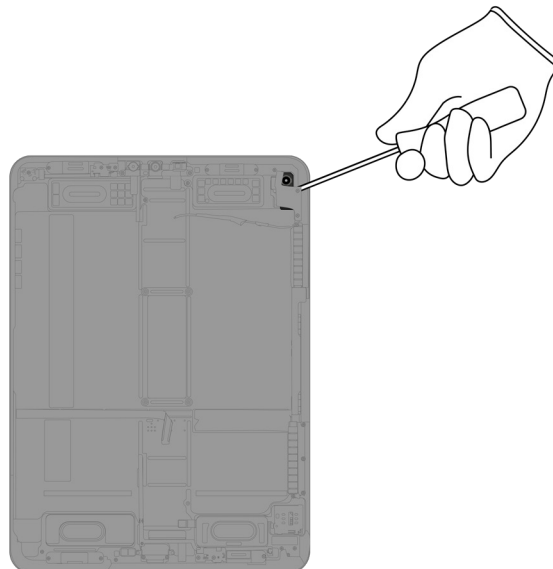
Fraction



Upper right woofer

REE
Rare Earth
Elements

10. Pry off the rear camera.



Tools Used



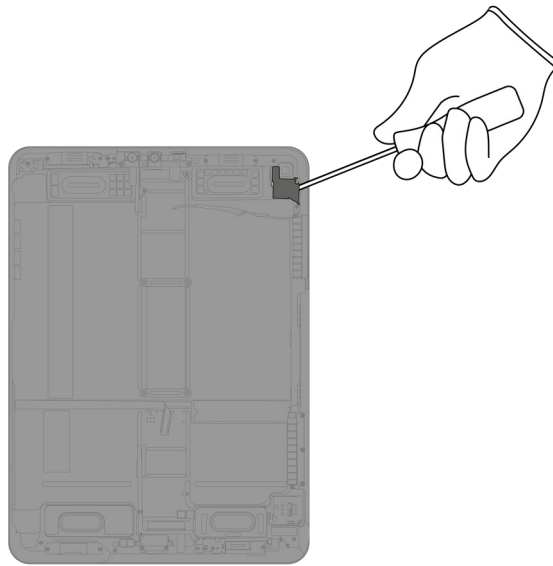
Fraction



Rear camera

PMs
Precious
Metals

11. Pry off the microphone and strobe cover.



Tools Used



Fraction

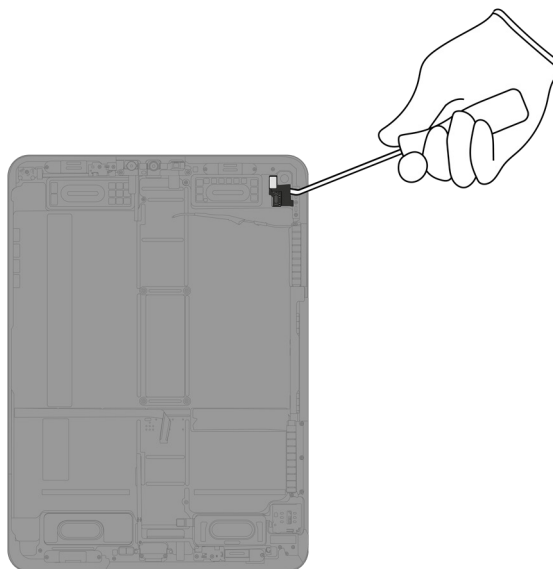


*Microphone and
strobe cover*

Fe

Ferrous

12. Pry off the microphone and strobe.



Tools Used



Fraction



Strobe

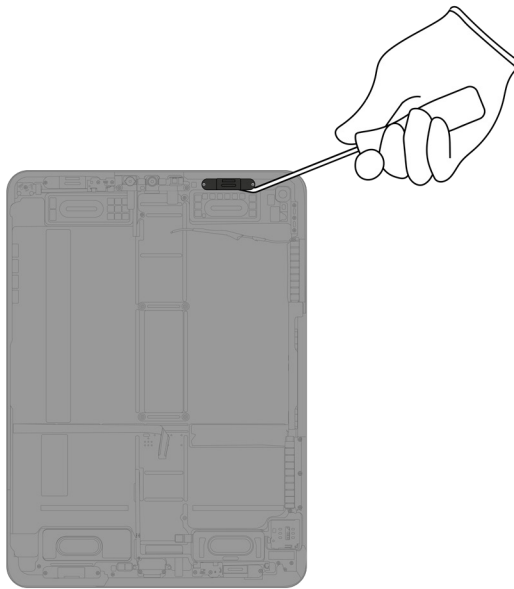


Microphone

Cu

Copper

13. Pry off the upper right tweeter.



Tools Used



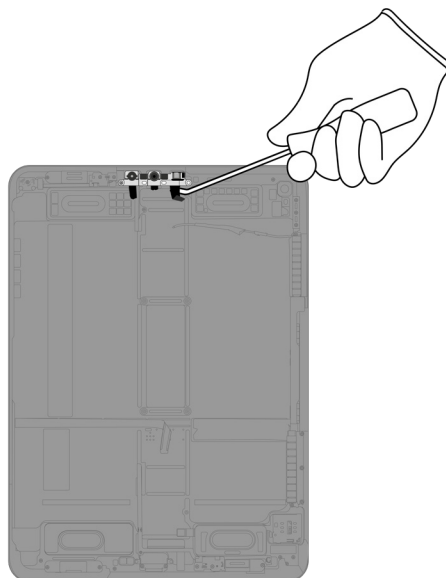
Fraction



Upper right tweeter

REE
Rare Earth
Elements

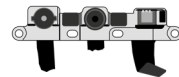
14. Pry off the front camera.



Tools Used



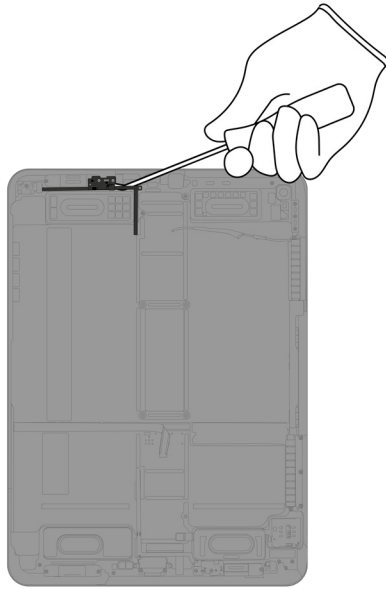
Fraction



Front camera

PMs
Precious
Metals

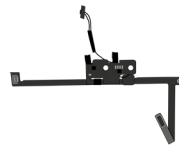
15. Pry off the ribbon cable.



Tools Used



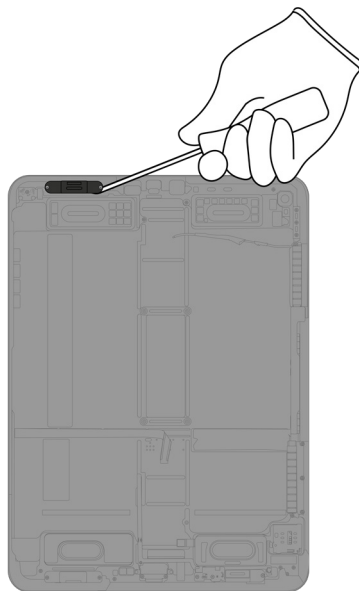
Fraction



Ribbon cable

Cu
Copper

16. Pry off the upper left tweeter.



Tools Used



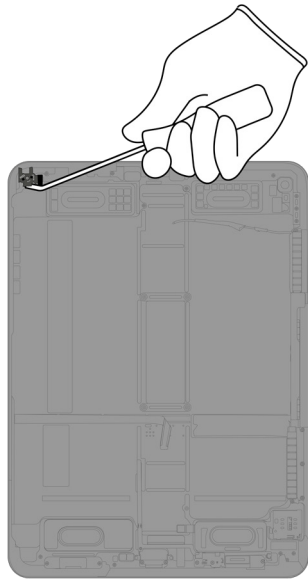
Fraction



Upper left tweeter

REE
Rare Earth Elements

17. Pry off the ribbon cables.



Tools Used

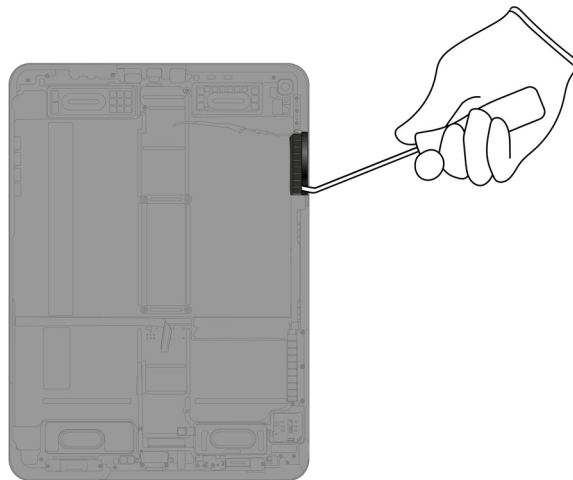


Fraction

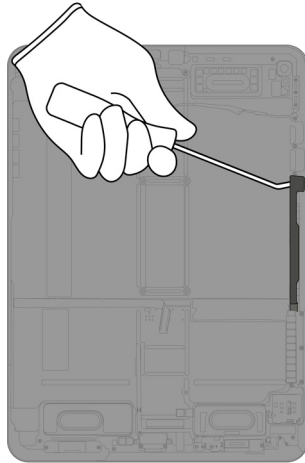


Ribbon cables

Cu
Copper



18. Pry off the Apple Pencil charging coil.



Tools Used



Fraction

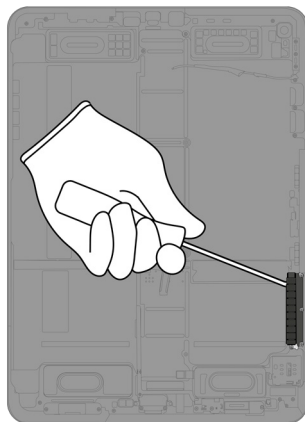


*Apple Pencil
charging coil*

Cu

Copper

19. Pry off the ribbon cable.



Tools Used



Fraction

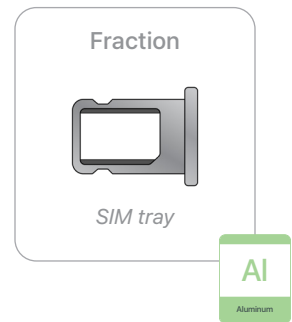
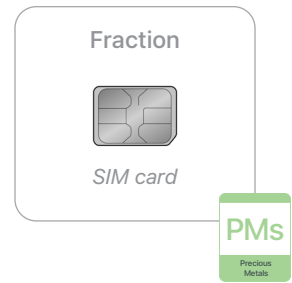
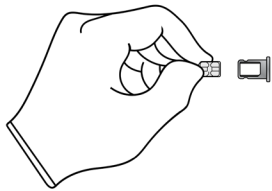
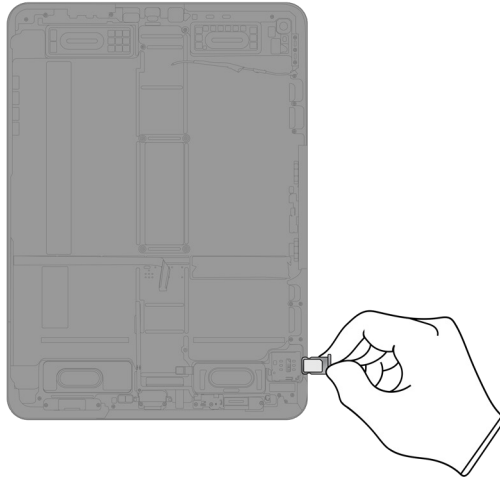


Ribbon cable

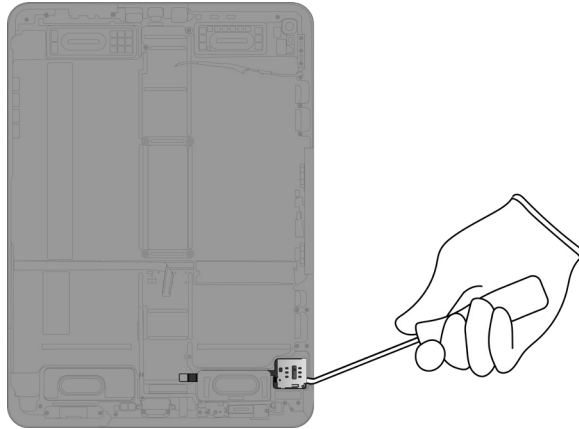
Cu

Copper

20. (Wi-Fi + Cellular models only) Remove the SIM card and SIM tray. Separate the SIM card from the SIM tray.



21. (Wi-Fi + Cellular models only) Pry off the SIM reader.



Tools Used



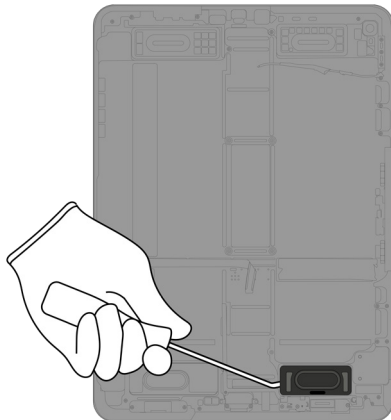
Fraction



SIM reader

Cu
Copper

22. Pry off the lower right woofer.



Tools Used



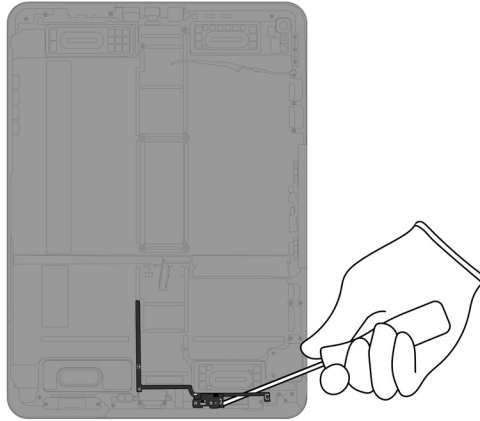
Fraction



Lower right woofer

REE
Rare Earth Elements

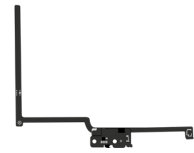
23. Pry off the ribbon cable.



Tools Used



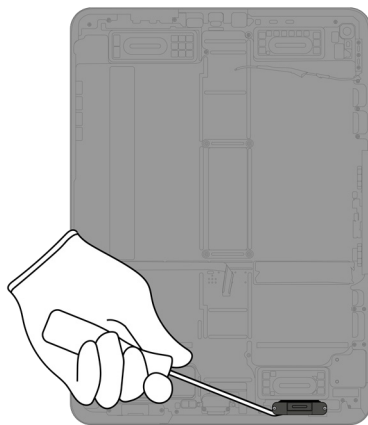
Fraction



Ribbon cable

Cu
Copper

24. Pry off the lower right tweeter.



Tools Used



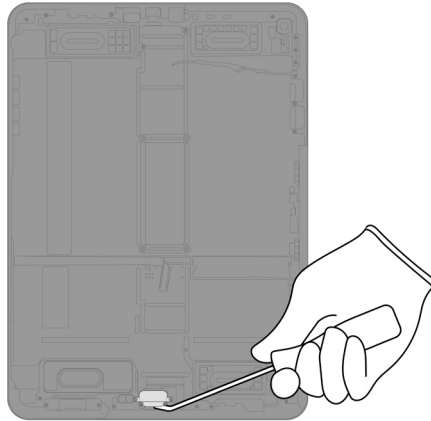
Fraction



Lower right tweeter

REE
Rare Earth Elements

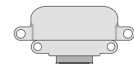
25. Pry off the USB-C port.



Tools Used



Fraction

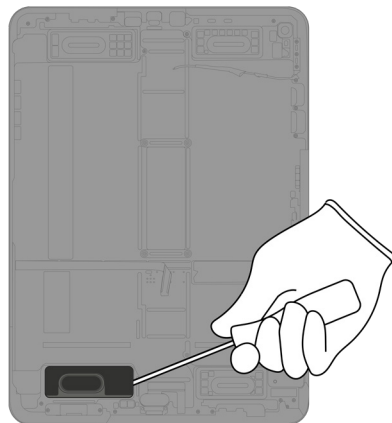


USB-C port

Cu

Copper

26. Pry off the lower left woofer.



Tools Used



Fraction

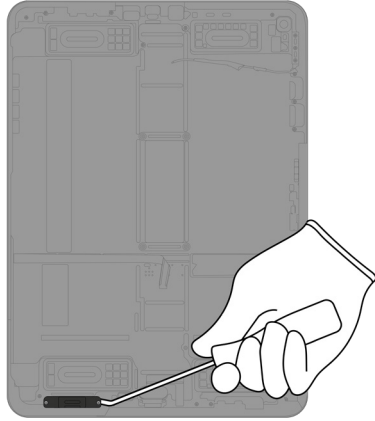


Lower left woofer

REE

Rare Earth
Elements

27. Pry off the lower left tweeter.



Tools Used



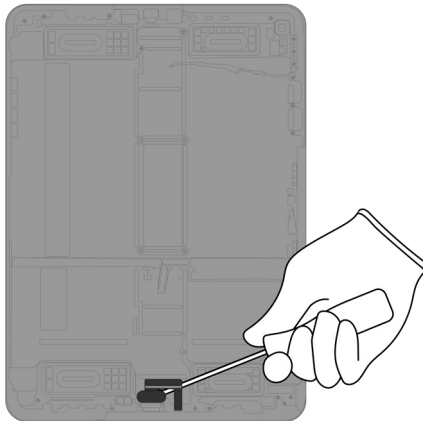
Fraction



Lower left tweeter



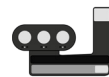
28. Pry off the Smart Connector.



Tools Used



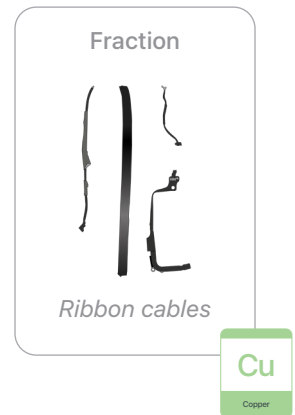
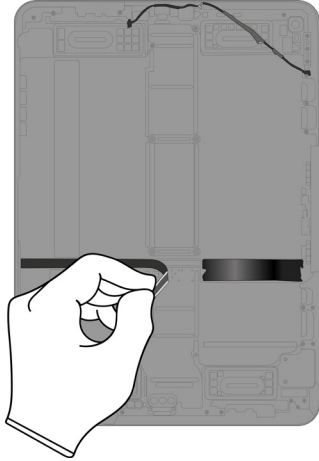
Fraction



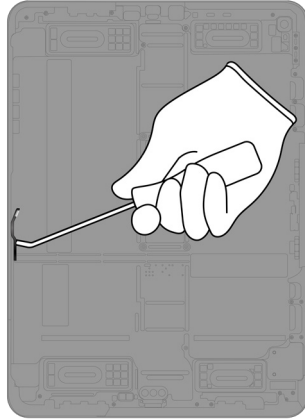
Smart Connector



29. Pull off the remaining ribbon cables.



30. Pry off the microphone array.



Tools Used



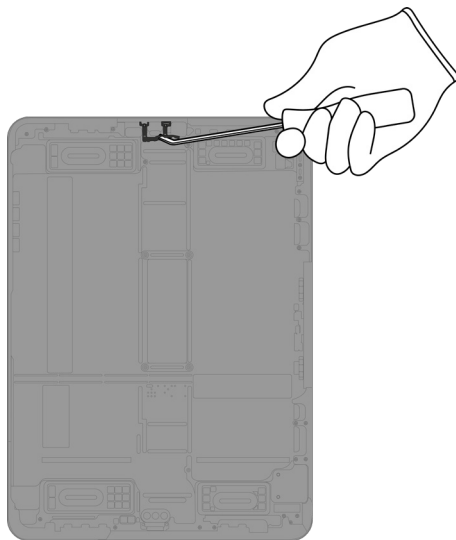
Fraction



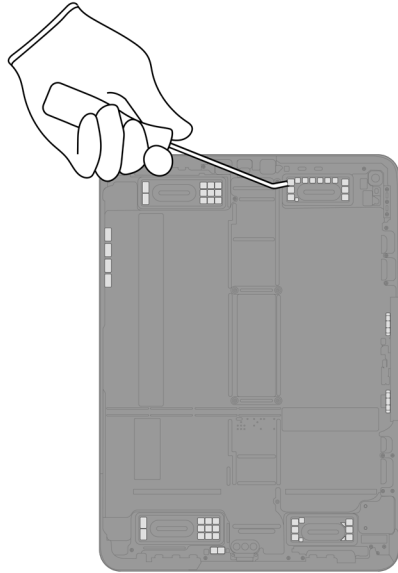
Microphone array

Cu

Copper



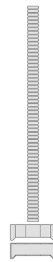
31. Pry the 68 magnets off the enclosure.



Tools Used



Fraction

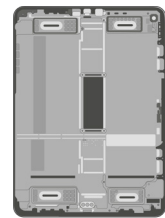


Magnets (x68)

REE

Rare Earth
Elements

Fraction



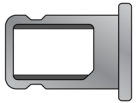
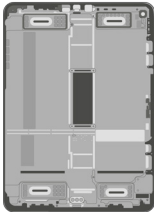

Enclosure

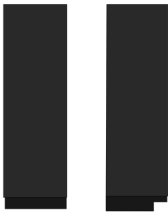

Al

Aluminum

Material Categorization of Output Fractions

All outputs from this process must be managed, handled, and disposed of in accordance with applicable waste laws and regulations, including but not limited to the Waste Framework Directive and its national enactments in Europe.

Fraction	Downstream Processing
<p data-bbox="435 604 570 636">Aluminum</p>  <p data-bbox="459 793 545 821"><i>SIM tray</i></p>  <p data-bbox="451 1104 545 1131"><i>Enclosure</i></p>	<p data-bbox="964 604 1276 636">Primary Target Material</p>  <p data-bbox="1101 699 1135 726">Al</p> <p data-bbox="1101 743 1138 758">Aluminum</p>

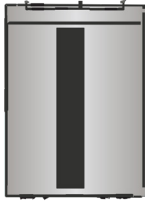
<p data-bbox="440 1224 565 1255">Batteries</p>  <p data-bbox="358 1524 643 1551"><i>Lithium-ion polymer batteries</i></p>	<p data-bbox="964 1224 1276 1255">Primary Target Material</p>  <p data-bbox="1101 1318 1135 1346">BT</p> <p data-bbox="1101 1362 1138 1377">Battery</p>
---	---

Fraction

Downstream Processing

Ferrous

Primary Target Material



Display cover

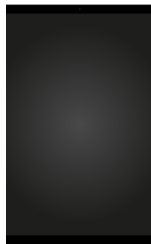


Microphone and strobe cover



Glass

Primary Target Material



LCD cell



Potential Additional Materials



Fraction

Downstream Processing

Logic Boards



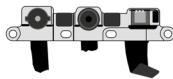
Display logic board



Main logic board



Rear camera



Front camera



SIM card

Primary Target Material



Potential Additional Materials



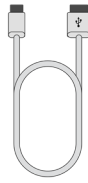
Fraction

Downstream Processing

Mixed Electronics



Power adapter



Charge cable



Strobe



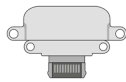
Microphone



Apple Pencil charging coil



SIM reader



USB-C port

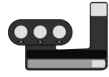
Primary Target Material



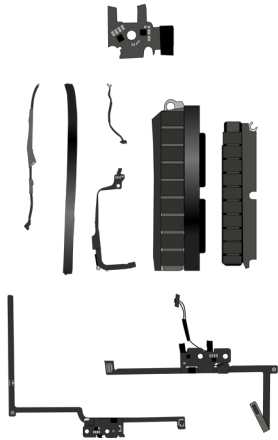
Potential Additional Materials



Mixed Electronics (cont.)



Smart Connector



Ribbon cables



Microphone array

Mixed Plastics



Display films

Primary Target Material



Fraction

Downstream Processing

Rare Earth Magnets



Upper left woofer



Upper right woofer



Upper right tweeter



Upper left tweeter



Lower right woofer



Lower right tweeter



Lower left woofer



Lower left tweeter



Magnets (x68)

Primary Target Material



Potential Additional Materials

