



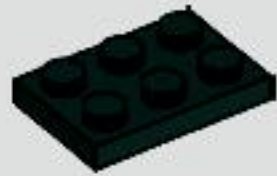
RACERS

30033

4589750



1



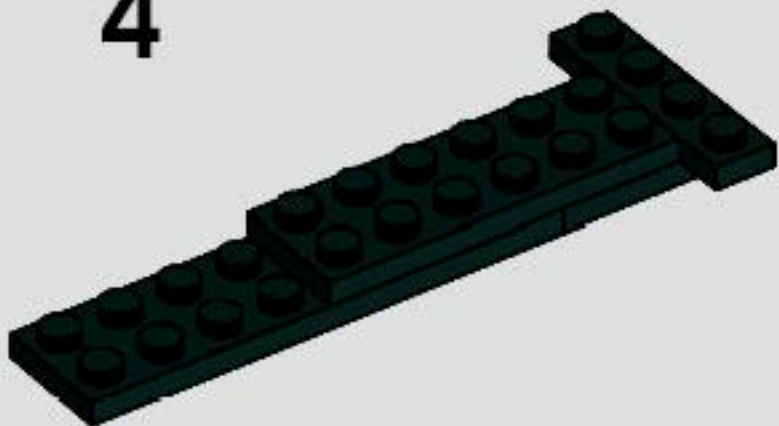
2



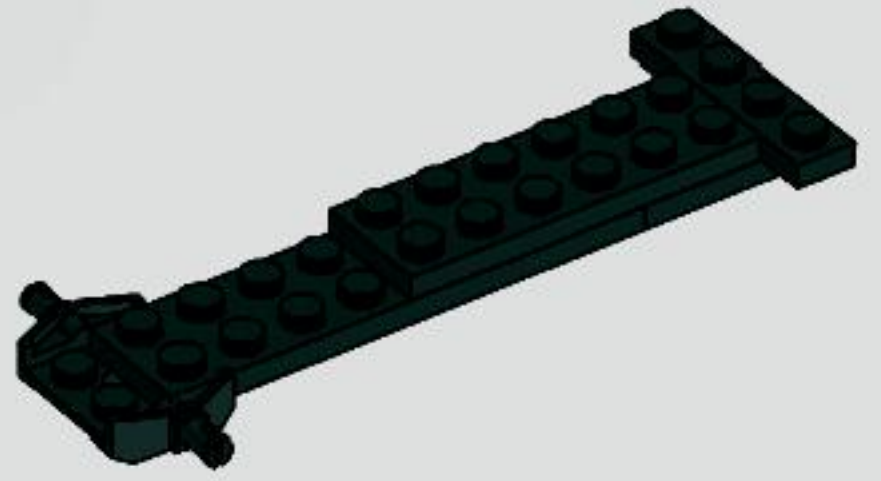
3



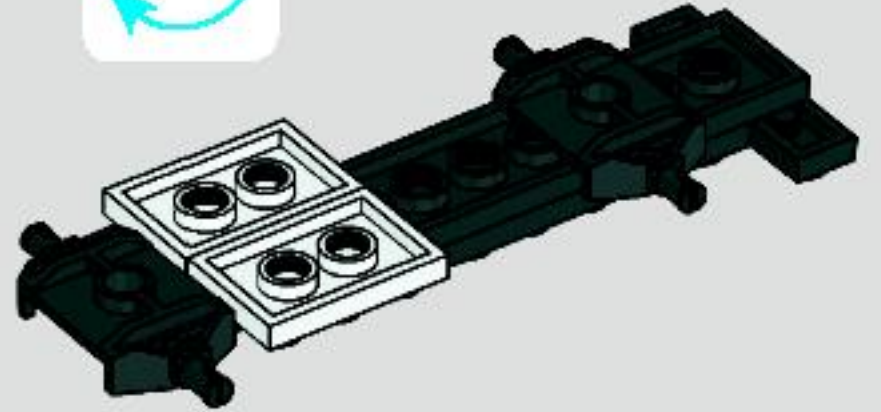
4



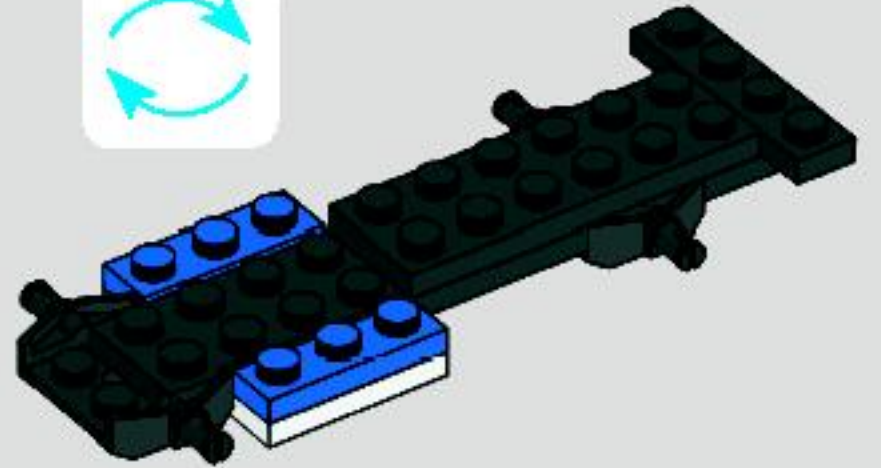
5



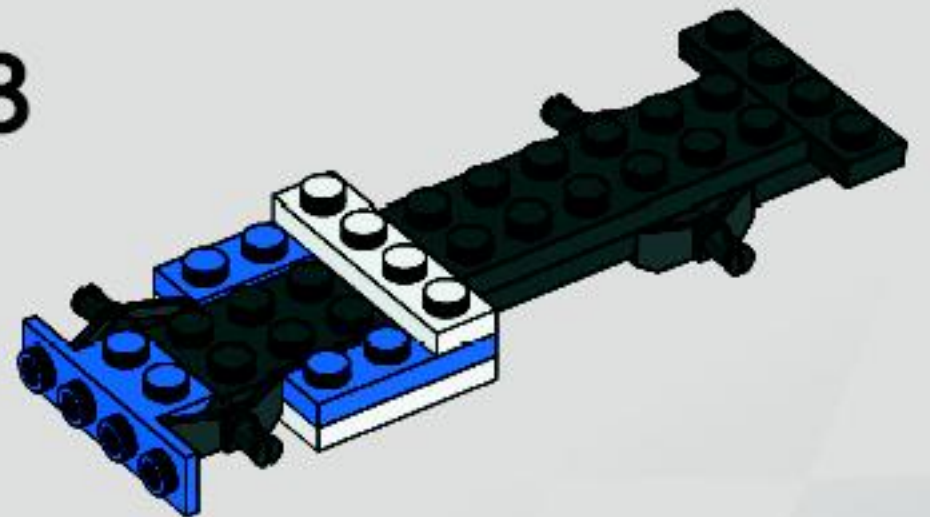
6



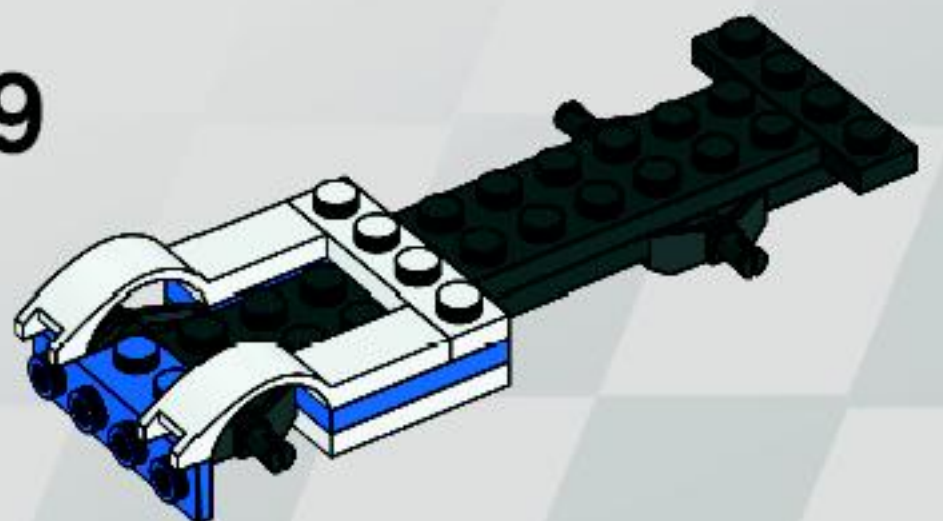
7



8

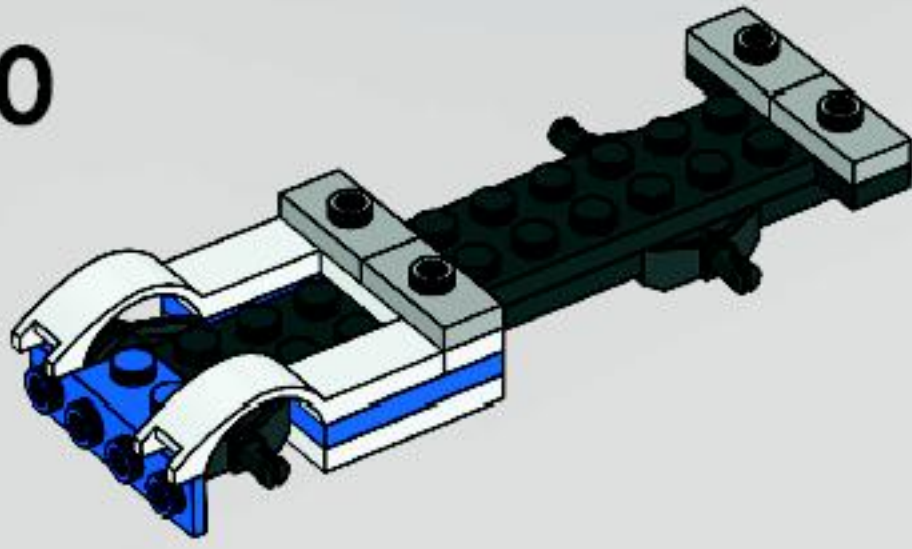


9

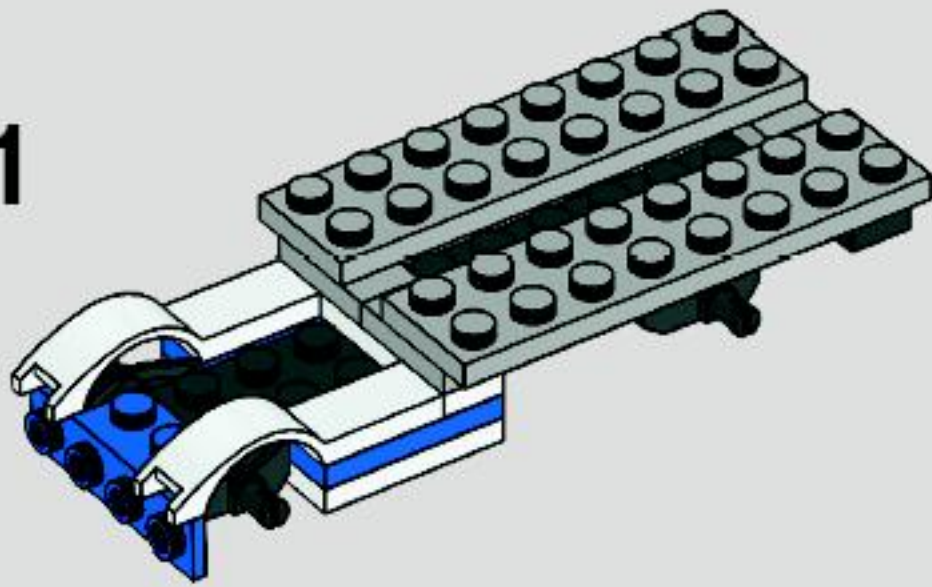




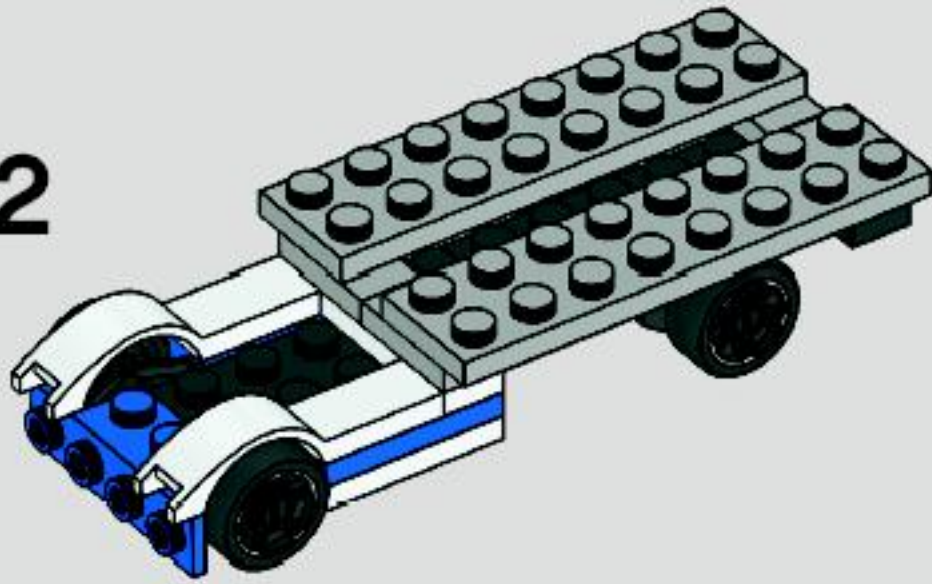
10



11



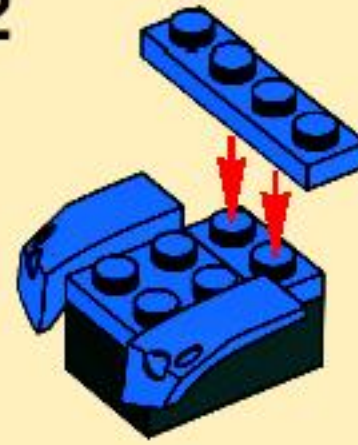
12



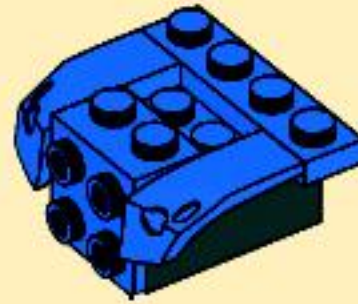
1



2



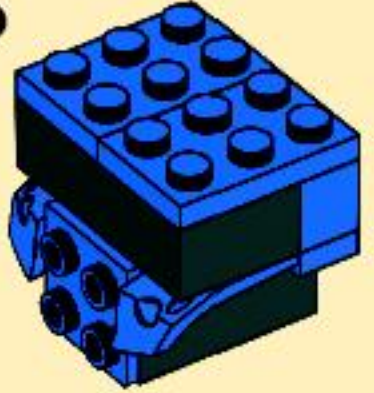
3



4



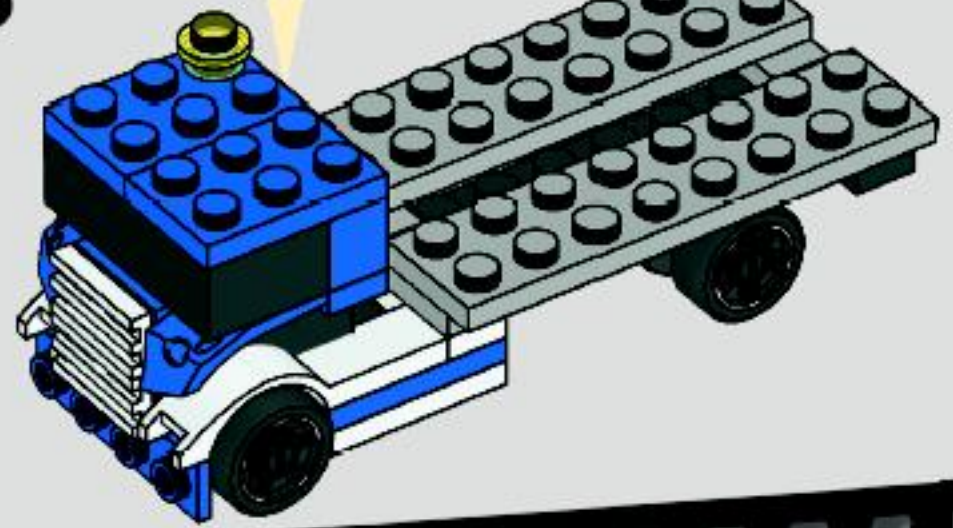
5



6



13



©2010 The LEGO Group. 4589750



8196

8197

8198

8199

FOLD OUT RACE TRACK